



US00D945721S

(12) **United States Design Patent** (10) **Patent No.:** **US D945,721 S**
Luo (45) **Date of Patent:** **** Mar. 8, 2022**

(54) **DOG TRAINING COLLAR RECEIVER DEVICE**

(71) Applicant: **Xingzhiguang Technology (Shenzhen) Co., Ltd., Shenzhen (CN)**

(72) Inventor: **Zongjiang Luo, Hunan Province (CN)**

(**) Term: **15 Years**

(21) Appl. No.: **29/751,916**

(22) Filed: **Sep. 24, 2020**

(51) **LOC (13) Cl.** **30-99**

(52) **U.S. Cl.**
USPC **D30/199; D10/104.1**

(58) **Field of Classification Search**

USPC D30/151-155, 144, 199, 160;
 119/792-798, 850, 855-859, 863-865,
 119/654, 905, 907, 815, 712, 802, 784,
 119/769, 760, 776, 862, 908, 860,
 119/719-721; 242/381.1-381.2, 385.4,
 242/378.3, 376.1, 385.1, 916, 601, 570,
 242/405, 404, 371, 223, 170, 388.1,
 242/405.2, 377, 381.3, 381.6, 405.3, 388,
 242/6, 384.7, 382, 396.1, 404.1, 380;
 362/108; 33/767, 769, 414; D12/400;
 D3/229, 230, 207, 208, 215; 40/1.5, 455,
 40/640, 303; 206/63.3, 459.5, 702, 408;
 D6/515; D8/358, 360, 347, 360.1, 359,
 D8/356, DIG. 1; D24/145, 167, 186, 146,
 D24/169; D10/57, 72, 106.1, 104.1,
 D10/104.2, 109.2, 70, 97, 98, 78, 65;
 D20/28; 224/666, 678; 16/445; 283/74,
 283/70; D11/232, 200, 216, 1, 2, 86, 87,
 D11/201, 206-210, 212-215, 218;
 24/163 K, 122.3, 323, 702, 600.4-600.7,
 24/163 R, 169-171, 173, 177-179, 191,
 24/194, 195, 197, 200, 303, 616, 635,
 24/313, 615, 3, 6, 3 K, 599.2, 96, 221,
 24/237, 311, 312, 314, 321, 338, 339,
 24/309; 428/3, 4; 54/76, 1, 71; 63/29.1,

63/3; 191/12.2 R, 12.4; D13/154, 153,
 D13/137.4, 155, 103, 168; D19/69, 67;
 379/438; 446/26; 473/576; D22/140;
 174/135; 439/504, 13, 501; D34/33;
 188/83, 82.1, 65.1; 254/134.3 FT;
 D29/124; D2/627, 624, 633, 625;
 132/145, 146, 148; 2/314; 59/79.1;
 340/573.3, 573.1, 573, 573.4,
 340/539.13-539.19; 343/895;
 278/8 AES; 231/7; 361/232; D14/344,
 D14/341, 137, 155, 496, 203.5, 203.3,
 (Continued)

(56) **References Cited**

U.S. PATENT DOCUMENTS

D466,257 S * 11/2002 Quilici D30/152
 D523,369 S * 6/2006 Jacober D11/3
 (Continued)

Primary Examiner — Susan Moon Lee

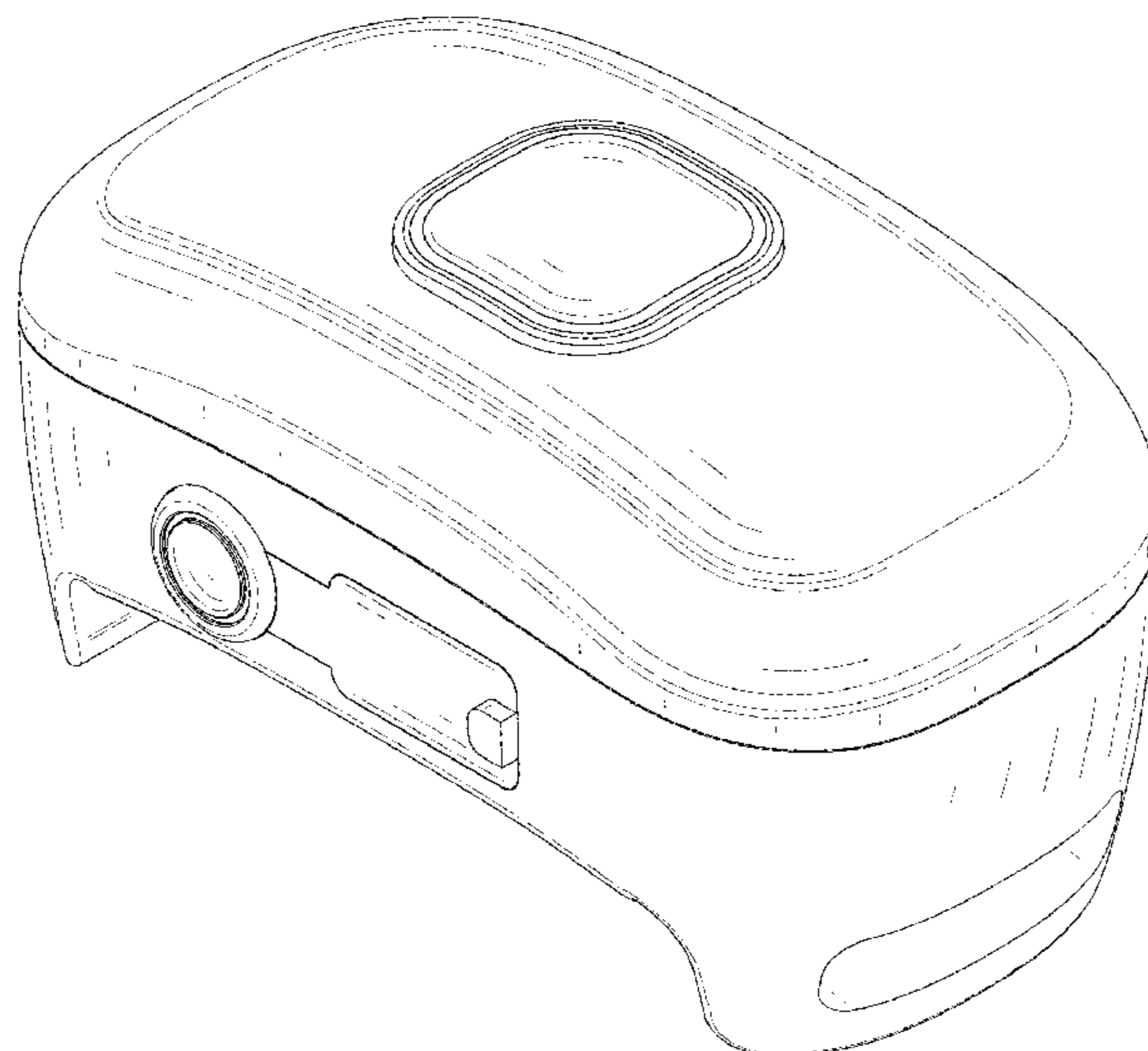
(57) **CLAIM**

The ornamental design for a dog training collar receiver device, as shown and described.

DESCRIPTION

FIG. 1 is a front and top perspective view of a dog training collar receiver device, showing my new design;
 FIG. 2 is a rear and bottom perspective view thereof;
 FIG. 3 is a front elevational view thereof;
 FIG. 4 is a rear elevational view thereof;
 FIG. 5 is a left side elevational view thereof;
 FIG. 6 is a right side elevational view thereof;
 FIG. 7 is a top plan view thereof; and,
 FIG. 8 is a bottom plan view thereof.
 The broken lines in the figures illustrate portions of the dog training collar receiver device that form no part of the claimed design.

1 Claim, 8 Drawing Sheets



(58) **Field of Classification Search**

USPC D14/144, 218, 188, 216, 192;
 342/357.51, 357.57, 357.52, 357.55;
 455/100, 352, 456.1, 550.1; 315/291
 CPC A01K 15/021; A01K 15/02; A01K 15/022;
 A01K 15/023; A01K 15/029; A01K
 15/04; A01K 15/00; A01K 15/006; A01K
 12/022; A01K 27/009; A01K 27/00;
 A01K 27/001; A01K 27/006-008; A01K
 29/005; A01K 29/00; A61B 5/0002-0028;
 A61B 5/681; A61B 5/6822; A61B
 5/6824; A61B 5/6829; G01S 5/0294

See application file for complete search history.

(56) **References Cited**

U.S. PATENT DOCUMENTS

D540,495 S * 4/2007 Knuth D30/155
 D541,689 S * 5/2007 Meyers D10/118
 D631,552 S * 1/2011 Kasabach D24/186
 7,996,983 B2 * 8/2011 Lee, IV A01K 27/009
 29/592.1
 D673,473 S * 1/2013 Hogg D10/104.1

D706,159 S * 6/2014 Ma D11/3
 D710,228 S * 8/2014 Burke D10/104.1
 D710,229 S * 8/2014 Burke D10/104.1
 D710,230 S * 8/2014 Burke D10/104.1
 D726,052 S * 4/2015 Henning D10/98
 D801,538 S * 10/2017 Rondoni D24/186
 D805,482 S * 12/2017 McRoberts D13/168
 D806,880 S * 1/2018 Henning D24/186
 9,861,080 B1 * 1/2018 Hathway A01K 11/008
 D810,603 S * 2/2018 Davis D11/4
 D812,499 S * 3/2018 Kuh D30/199
 D829,120 S * 9/2018 Mitchell D10/104.1
 D888,353 S * 6/2020 Lan D30/199
 D898,307 S * 10/2020 Yang D30/199
 D899,717 S * 10/2020 Van Curen D30/199
 D919,201 S * 5/2021 Wang D30/199
 D925,141 S * 7/2021 Lai D30/199
 D938,669 S * 12/2021 Jia D30/199
 2006/0207520 A1 * 9/2006 Moore A01K 27/009
 119/720
 2007/0209604 A1 * 9/2007 Groh A01K 27/009
 119/858
 2015/0033794 A1 * 2/2015 Ma A01K 27/006
 63/1.13
 2019/0090761 A1 * 3/2019 Sawanoi A61B 5/02225

* cited by examiner

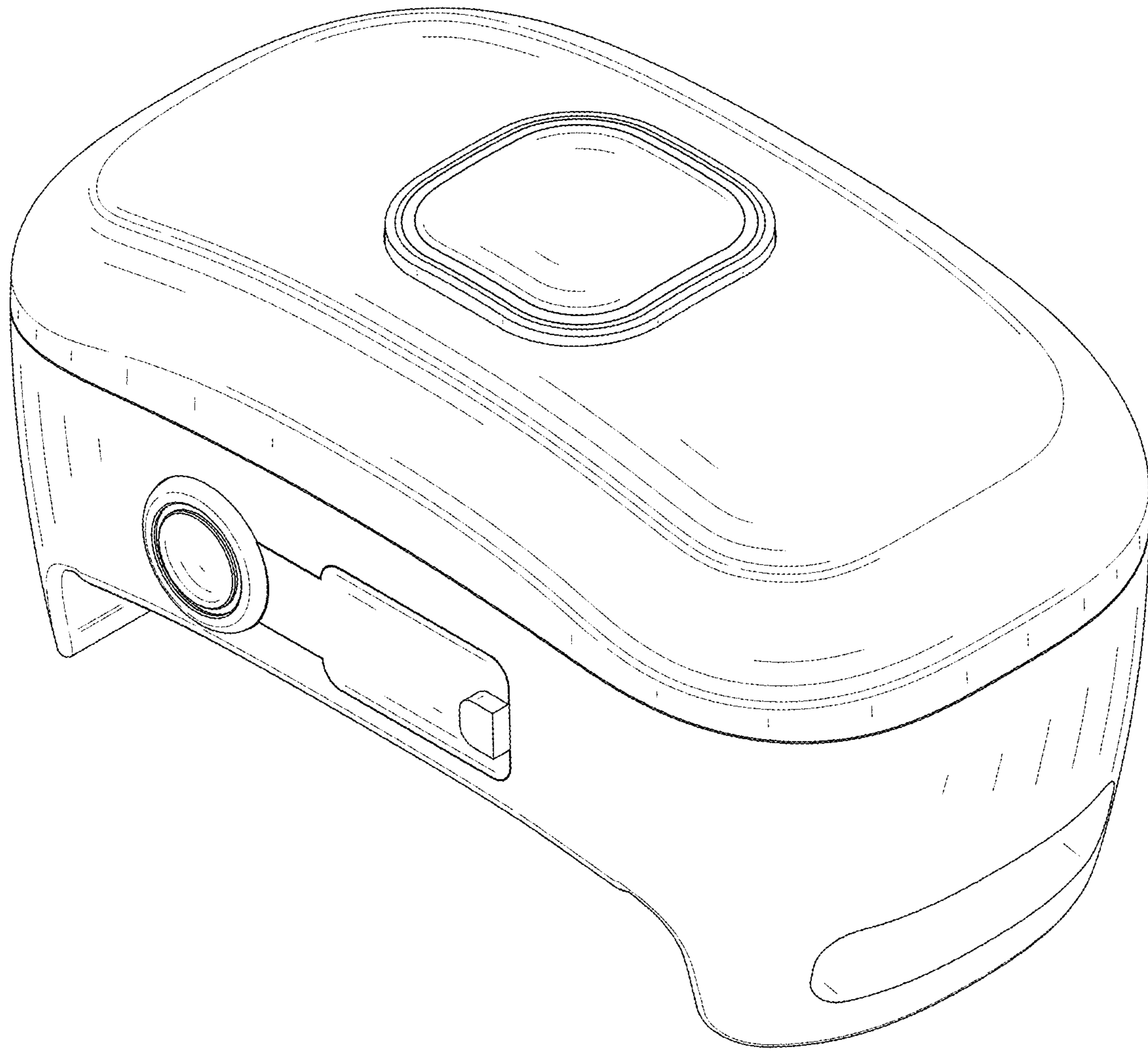


FIG. 1

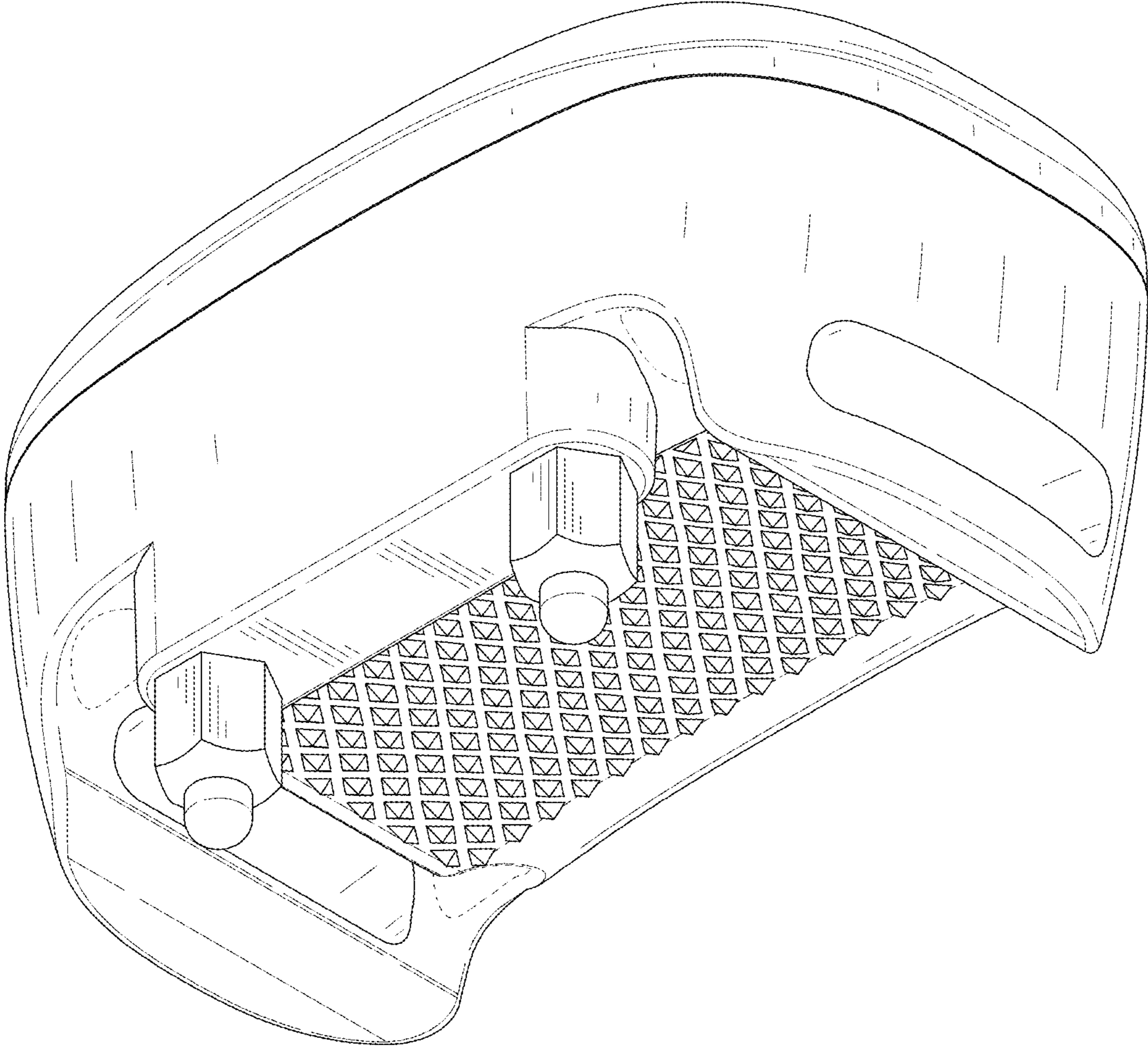


FIG. 2

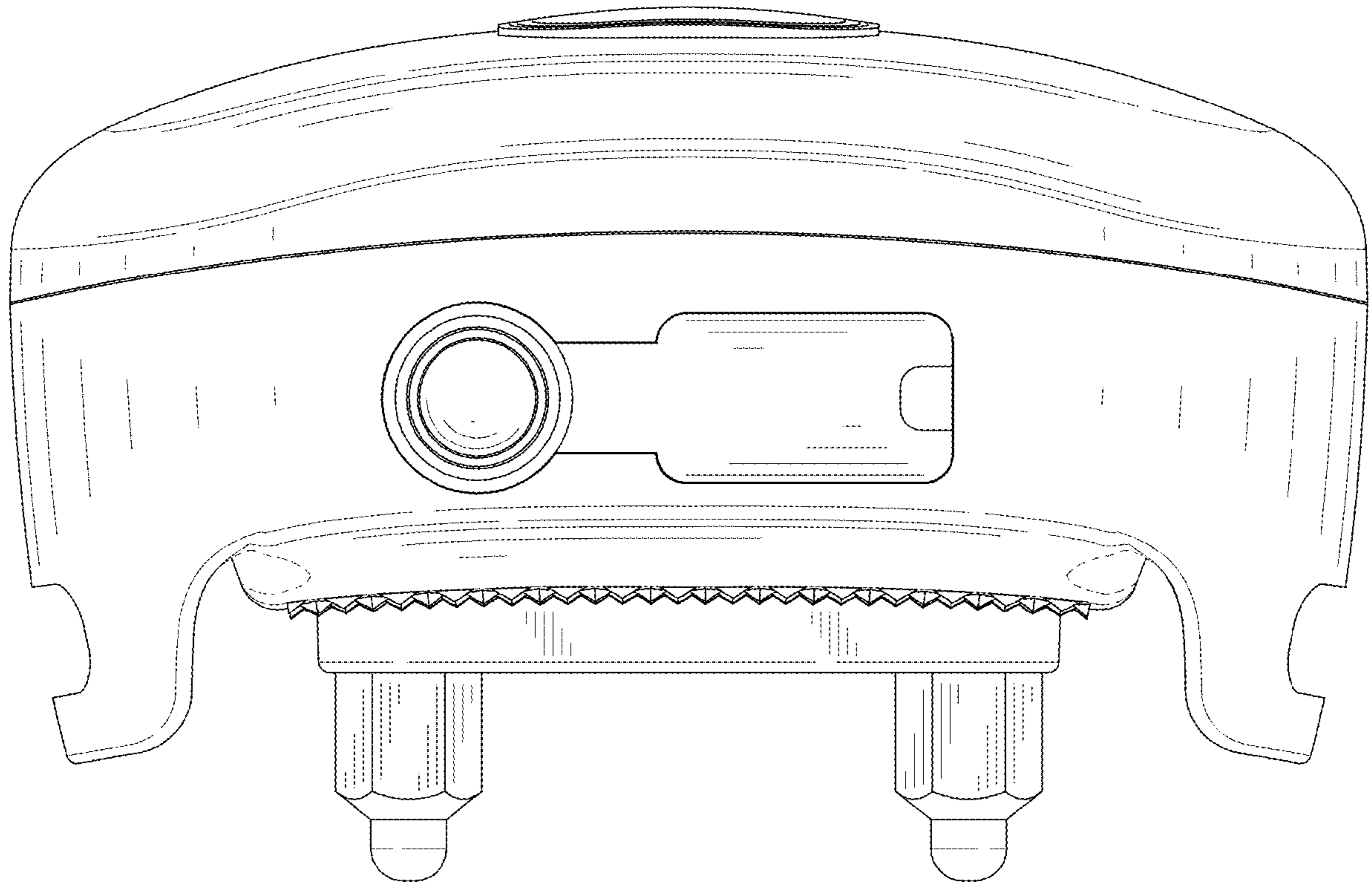


FIG. 3

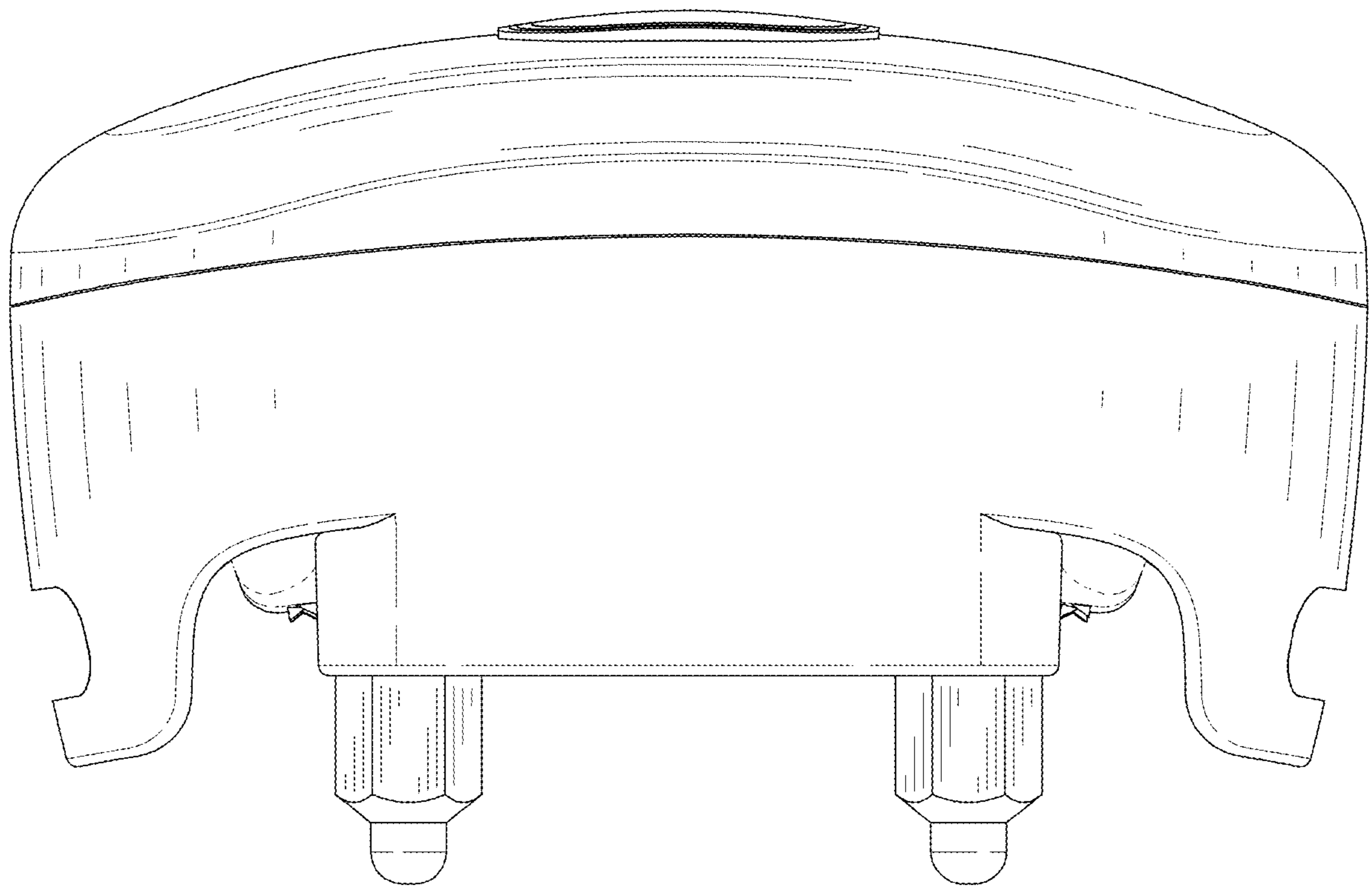


FIG. 4

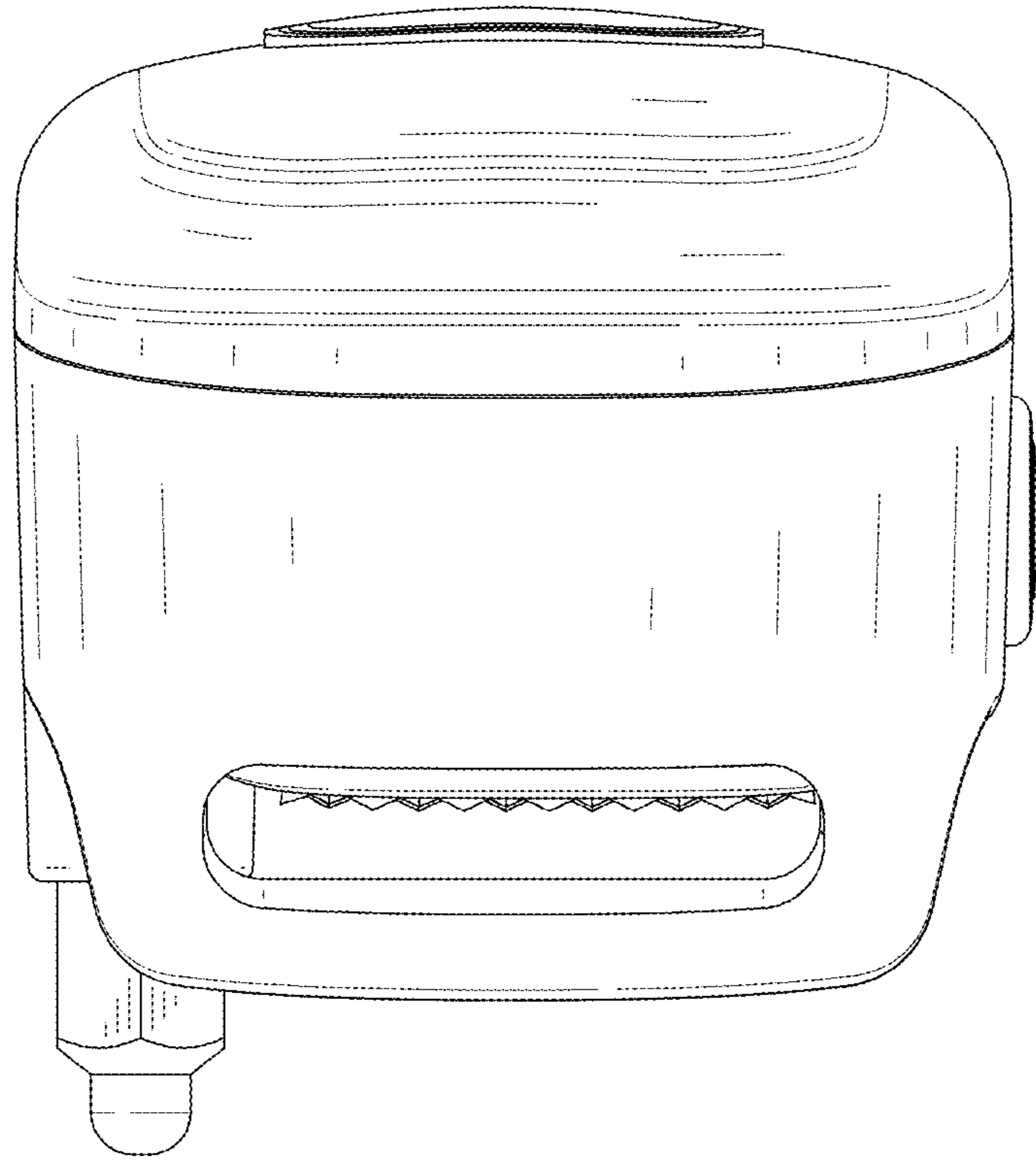


FIG. 5

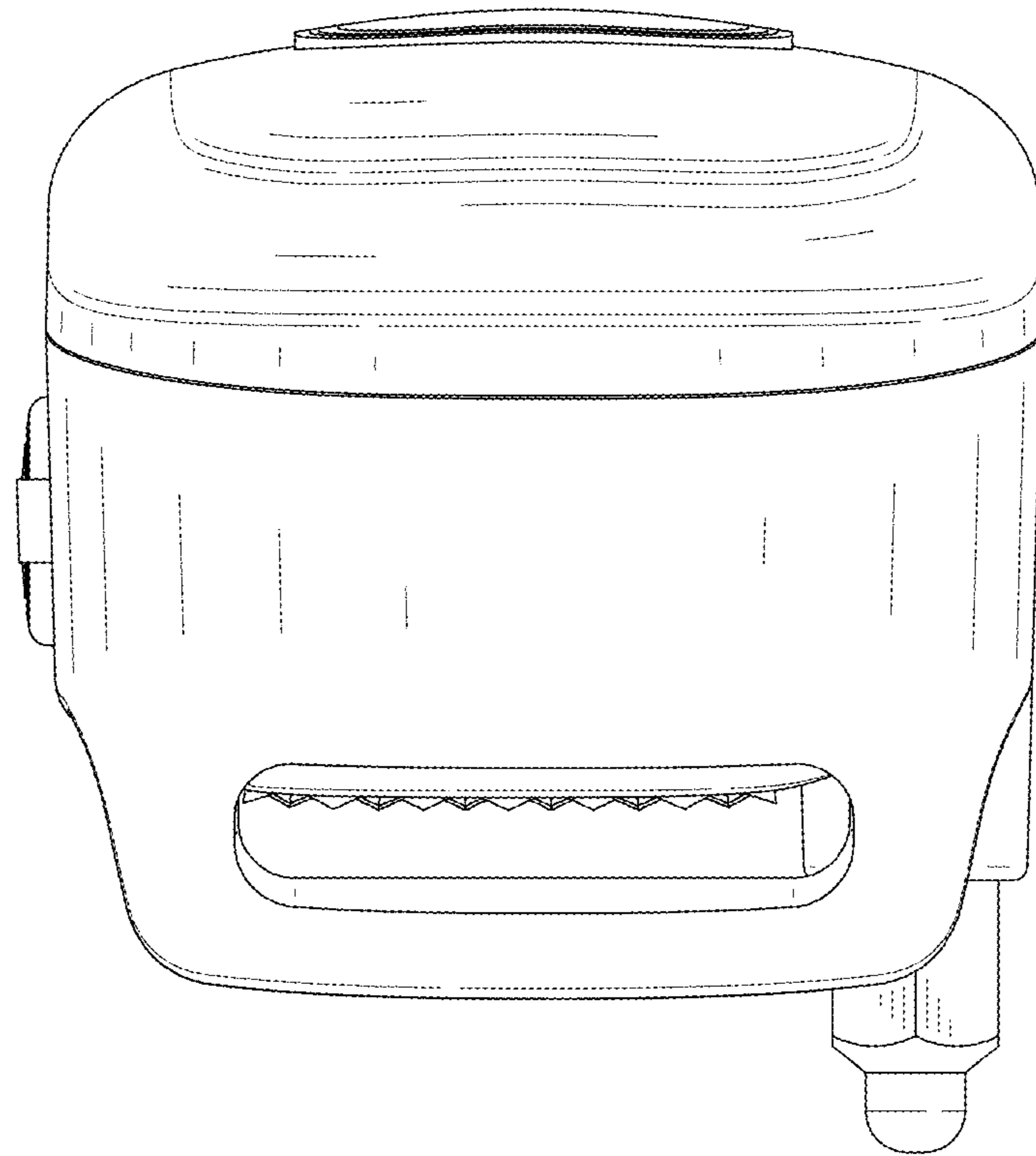


FIG. 6

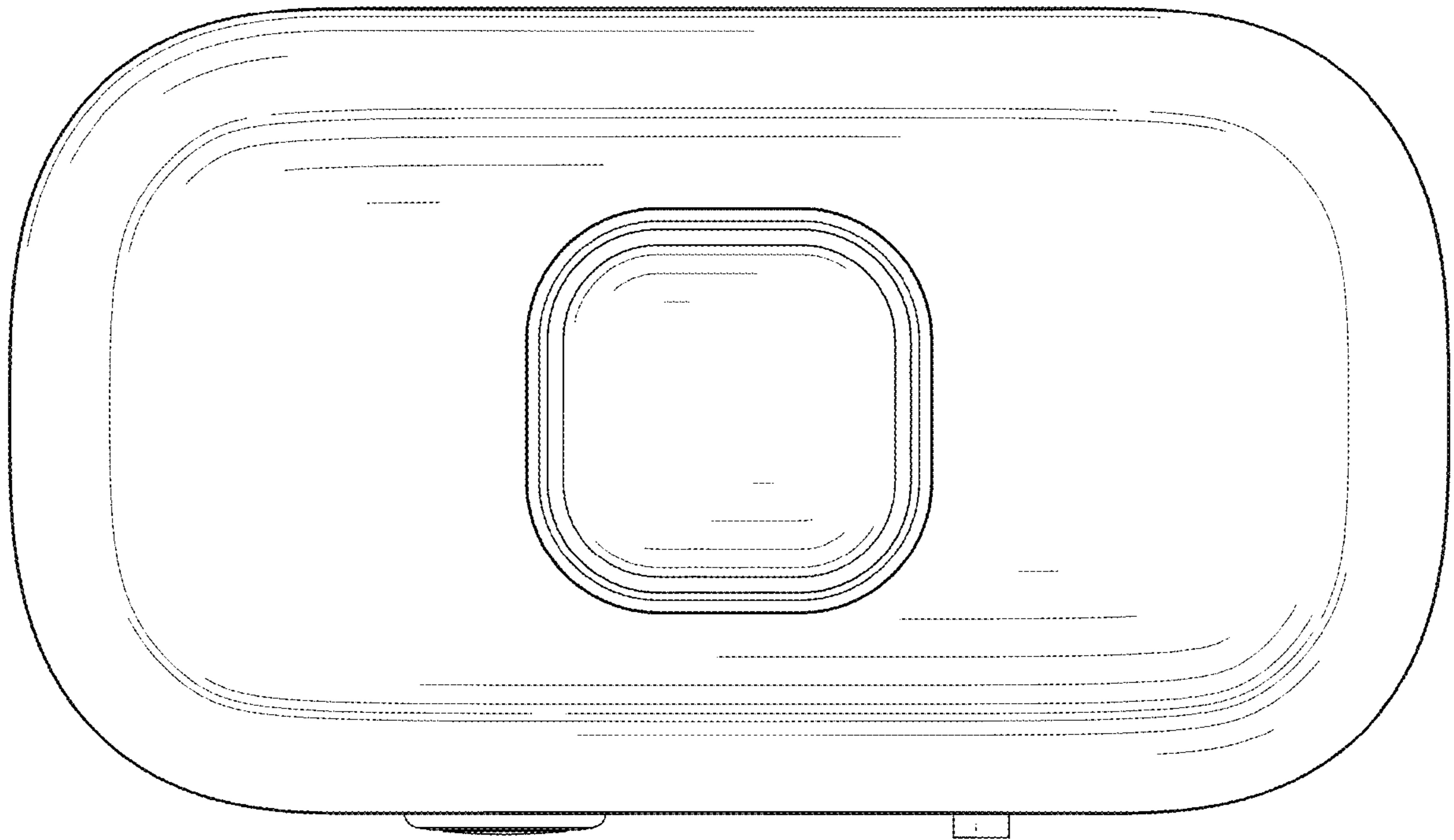


FIG. 7

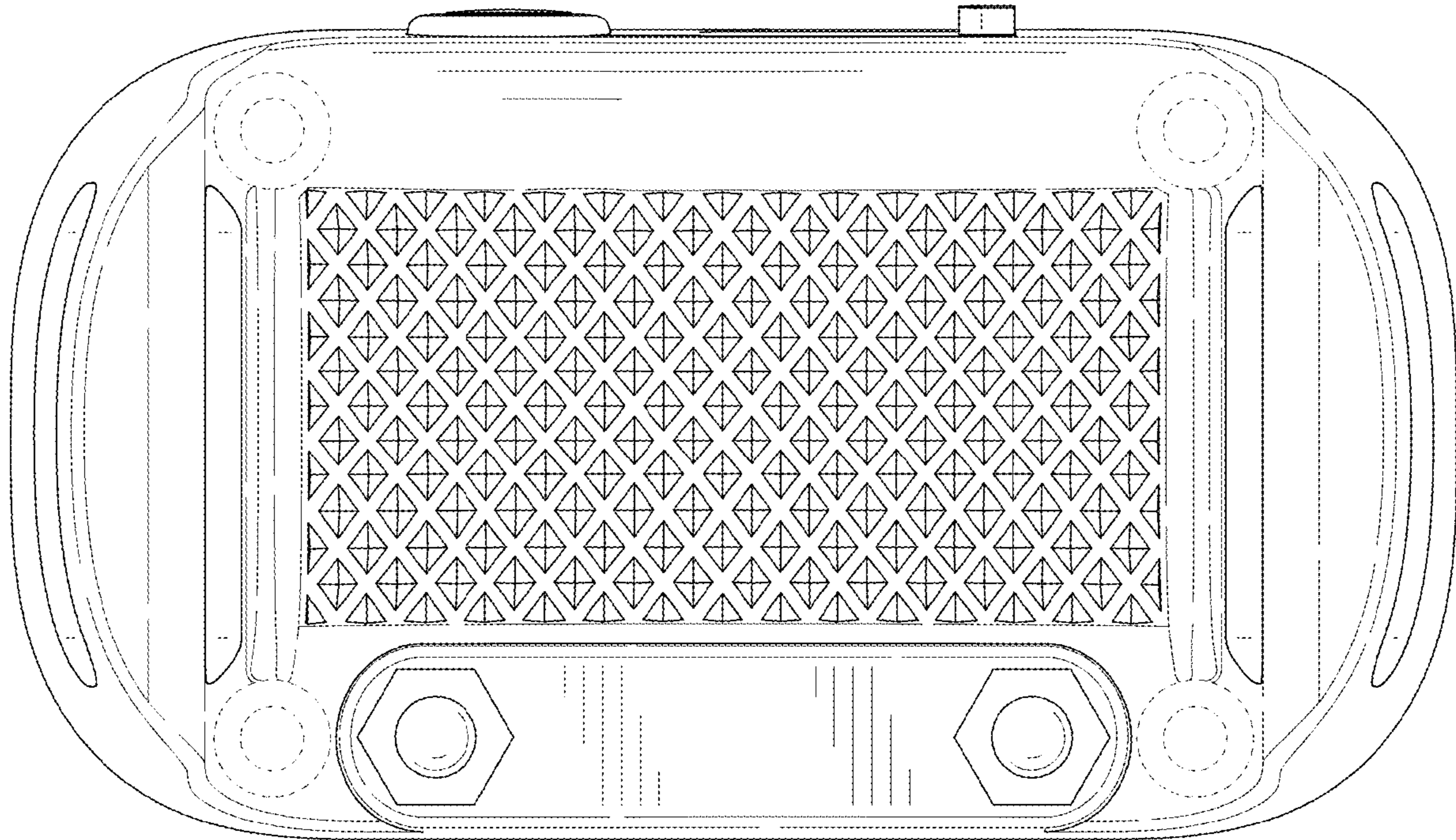


FIG. 8