



US00D945720S

(12) **United States Design Patent**  
**Dai**

(10) **Patent No.:** **US D945,720 S**  
(45) **Date of Patent:** **\*\* Mar. 8, 2022**

(54) **BARK CONTROL DEVICE**

(71) Applicant: **Shenzhen Xuanyu Xing Technology Co., Ltd.**, Guangdong (CN)

(72) Inventor: **Lirong Dai**, Guangdong (CN)

(73) Assignee: **Shenzhen Xuanyu Xing Technology Co., Ltd.**, Shenzhen (CN)

(\*\*) Term: **15 Years**

(21) Appl. No.: **29/717,125**

(22) Filed: **Dec. 15, 2019**

(30) **Foreign Application Priority Data**

Nov. 4, 2019 (CN) ..... 201930603795.9

(51) **LOC (13) Cl.** ..... **30-99**

(52) **U.S. Cl.**  
USPC ..... **D30/199**

(58) **Field of Classification Search**  
USPC ..... D30/151-155, 144, 199, 160;  
119/792-798, 850, 855-859, 863-865,  
119/654, 905, 907, 815, 712, 802, 784,  
119/769, 760, 776, 862, 908, 860,  
119/719-721; 242/381.1-381.2, 385.4,  
242/378.3, 376.1, 385.1, 916, 601, 570,  
242/405, 404, 371, 223, 170, 388.1,  
242/405.2, 377, 381.3, 381.6, 405.3,  
242/388.6, 384.7, 382, 396.1, 404.1, 380;  
362/108; 33/767, 769, 414; D12/400;  
D3/211, 229, 230, 207, 208, 215; 40/1.5,  
40/455, 640, 303; 206/63.3, 459.5, 702,  
206/408; D6/515; D8/358, 360, 347,  
D8/360.1, 359, 356, DIG. 1; D24/145,  
D24/167, 186, 146, 169; D10/57, 72,  
D10/106.1, 104.1, 104.2, 109.2, 70, 97,  
D10/98, 78, 65; D20/28; 224/666, 678;  
16/445; 283/74, 70; D11/232, 200, 216,  
D11/1, 2, 86, 87, 201, 206-210, 212-215,

D11/218; 24/163 K, 122.3, 323, 702,  
24/600.4-600.7, 163 R, 169-171, 173,  
24/177-179, 191, 194, 195, 197, 200,  
24/303, 616, 635, 313, 615, 3, 6, 3 K,  
24/599.2, 96, 221, 237, 311, 312, 314,  
24/321, 338, 339, 309; 428/3, 4; 54/76,  
54/1, 71; 63/29.1, 3, 23, 18, 1.11-1.17;  
191/12.2 R, 12.4; D13/154, 153, 137.4,  
D13/155, 103, 168; D19/69, 67;  
379/438; 446/26; 473/576; D22/140;  
174/135; 439/504, 13, 501; D34/33;  
(Continued)

(56) **References Cited**

U.S. PATENT DOCUMENTS

D290,979 S \* 7/1987 Sato ..... D21/610  
D381,922 S \* 8/1997 Casperson ..... D10/104.2  
(Continued)

*Primary Examiner* — Susan Moon Lee

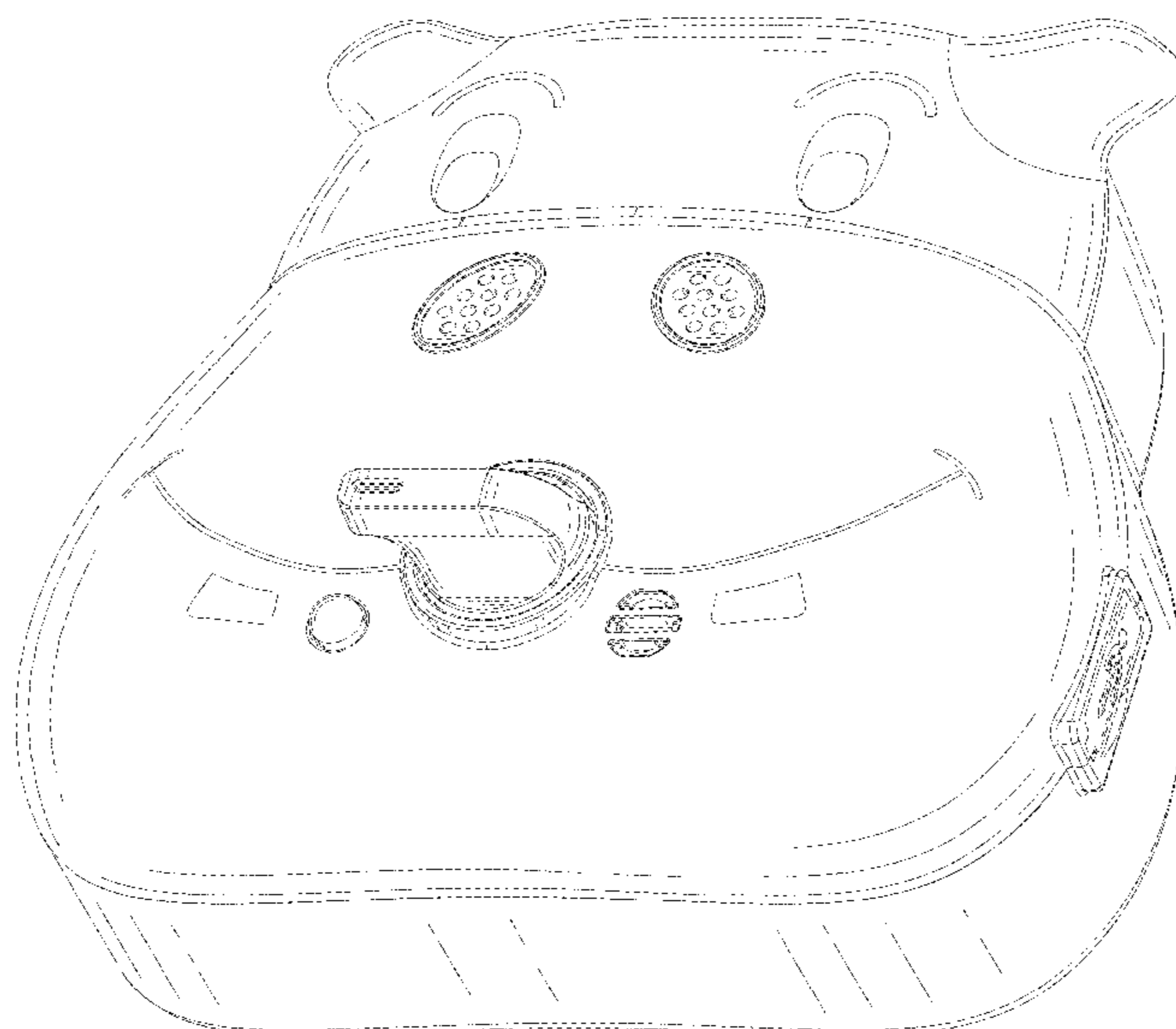
(57) **CLAIM**

The ornamental design for a bark control device, as shown and described.

**DESCRIPTION**

FIG. 1 is a perspective view of a bark control device showing my new design;  
FIG. 2 is another perspective view thereof;  
FIG. 3 a front elevation view thereof;  
FIG. 4 is a back elevation view thereof;  
FIG. 5 is a left side view thereof;  
FIG. 6 is a right side view thereof;  
FIG. 7 is a top plan view thereof; and,  
FIG. 8 is a bottom plan view thereof.  
The broken lines in the drawing depict environmental subject matter only and form no part of the claimed design.

**1 Claim, 8 Drawing Sheets**



(58) **Field of Classification Search**

USPC ..... 188/83, 82.1, 65.1; 254/134.3 FT;  
D29/124; D2/627, 624, 633, 625;  
132/145, 146, 148; 2/314; 59/79.1;  
340/573.3, 573.1, 573, 573.4,  
340/539.13-539.19; 343/895;  
278/8 AES; 231/7; 361/232; D14/344,  
D14/341, 137, 155, 496, 203.5, 203.3,  
D14/144, 218, 188, 216, 192;  
342/357.51, 357.57, 357.52, 357.55;  
455/100, 352, 456.1, 550.1; 315/291;  
D21/610

CPC .... A01K 15/021; A01K 15/02; A01K 15/022;  
A01K 15/023; A01K 15/029; A01K  
15/04; A01K 15/00; A01K 15/006; A01K  
12/022; A01K 27/009; A01K 27/00;  
A01K 27/001; A01K 27/006-008; A01K  
29/005; A01K 29/00; A61B 5/0002-0028;  
A61B 5/681; A61B 5/6822; A61B  
5/6824; A61B 5/6829; G01S 5/0294;  
A44C 25/007; A44C 25/008; A63H 11/00

See application file for complete search history.

(56) **References Cited**

U.S. PATENT DOCUMENTS

D661,890 S \* 6/2012 van der Lande ..... D3/211  
D728,869 S \* 5/2015 Li ..... D30/199  
D770,785 S \* 11/2016 George, II ..... D6/351

\* cited by examiner

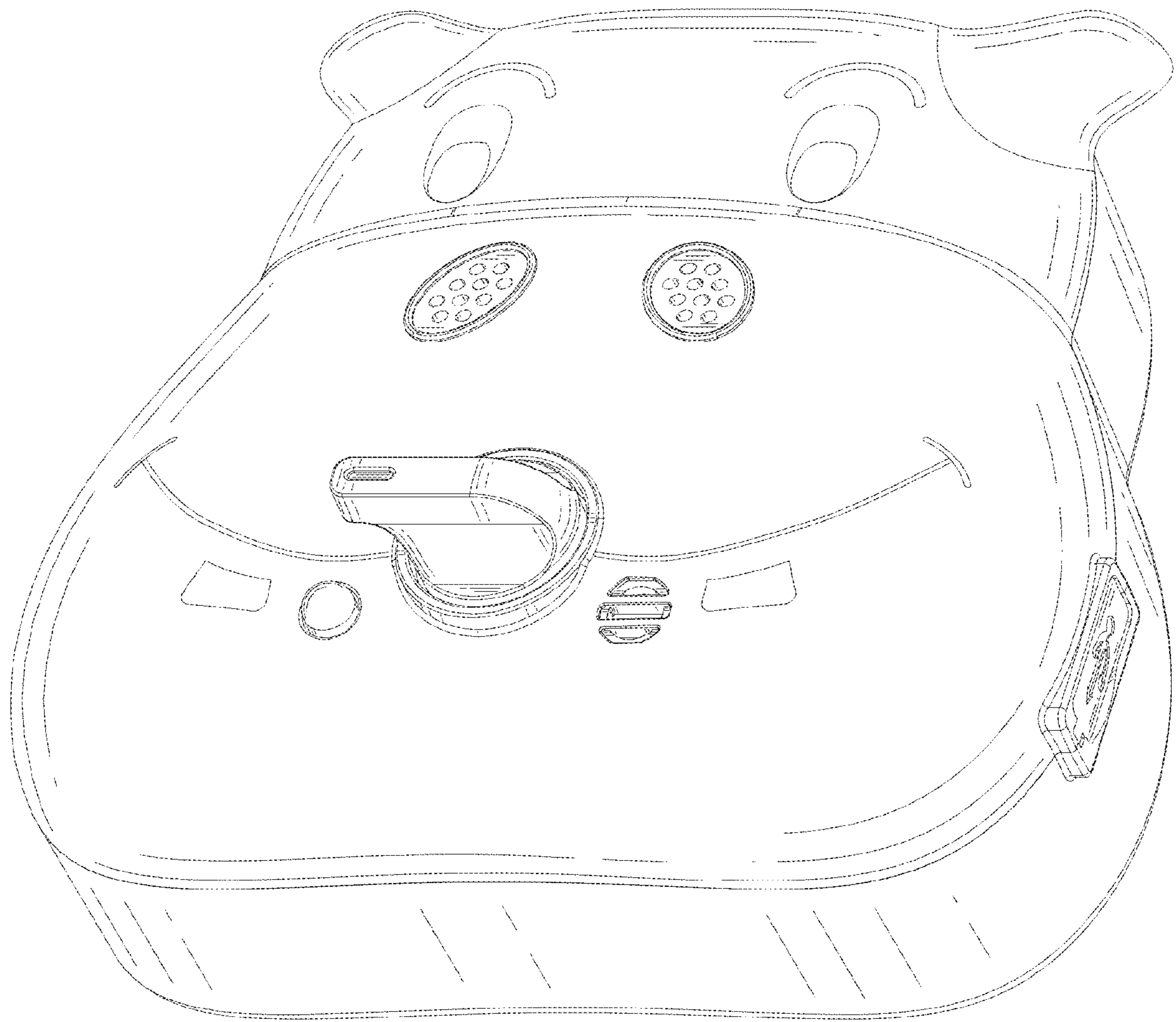


FIG. 1

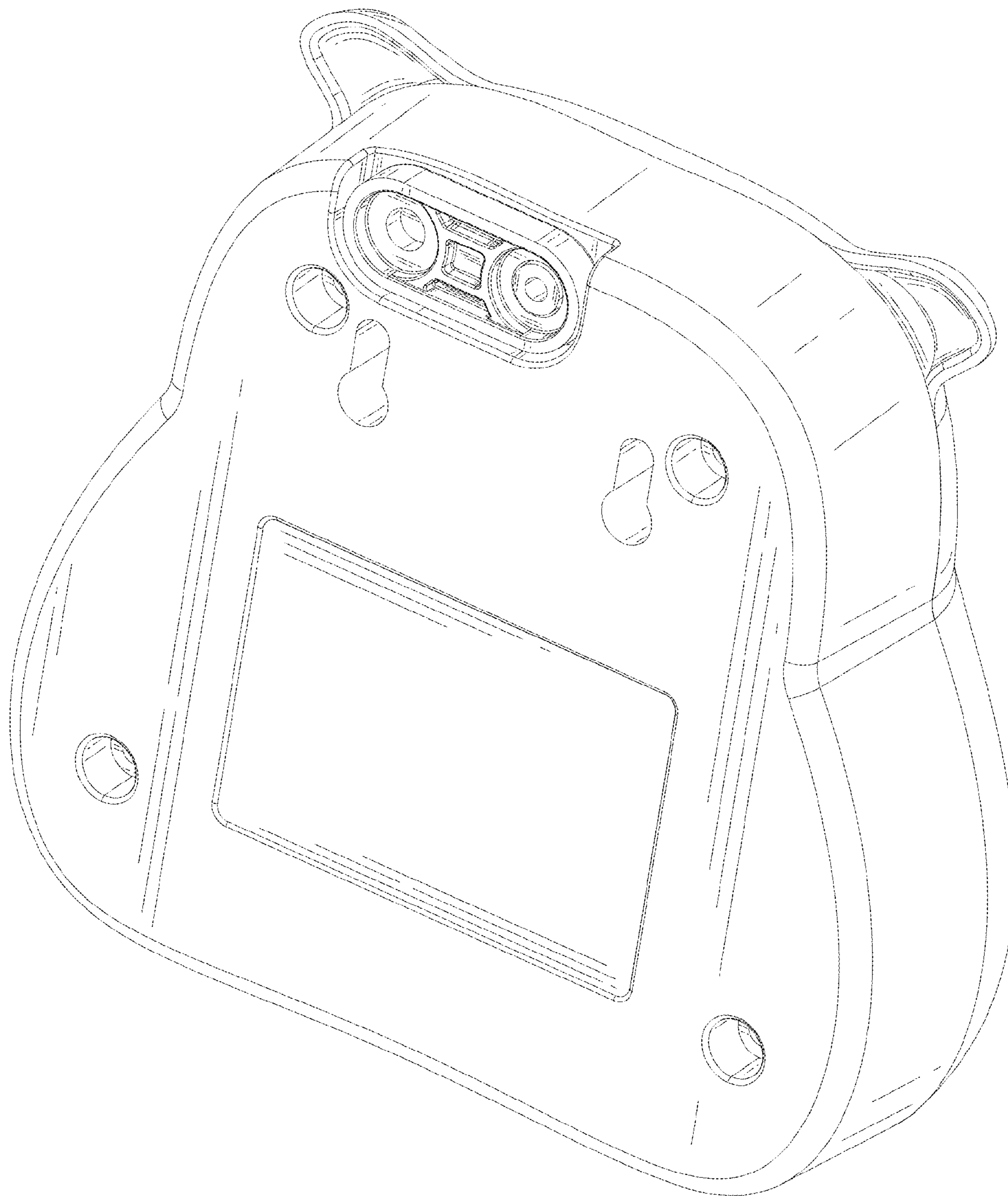


FIG. 2



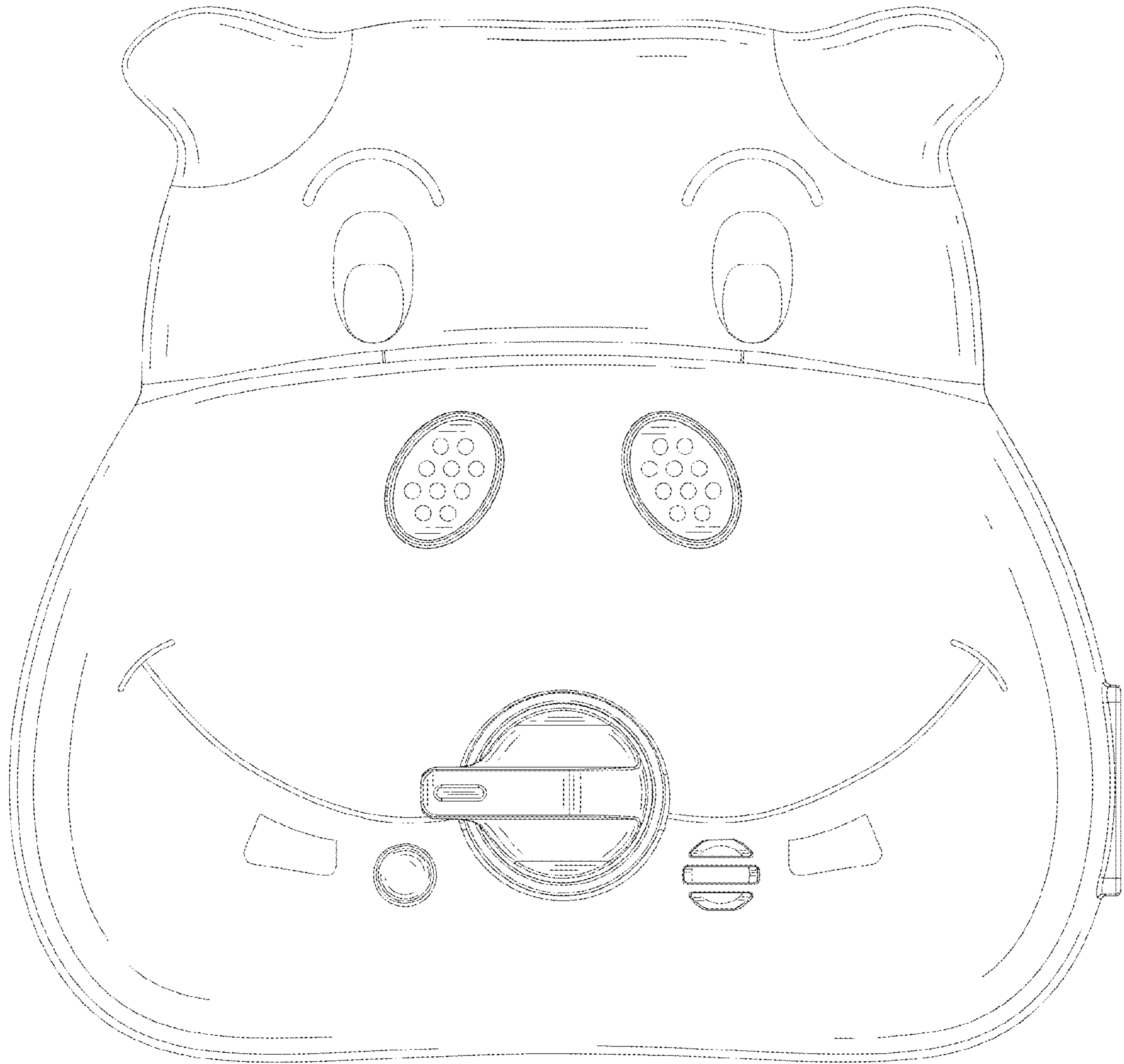


FIG. 3

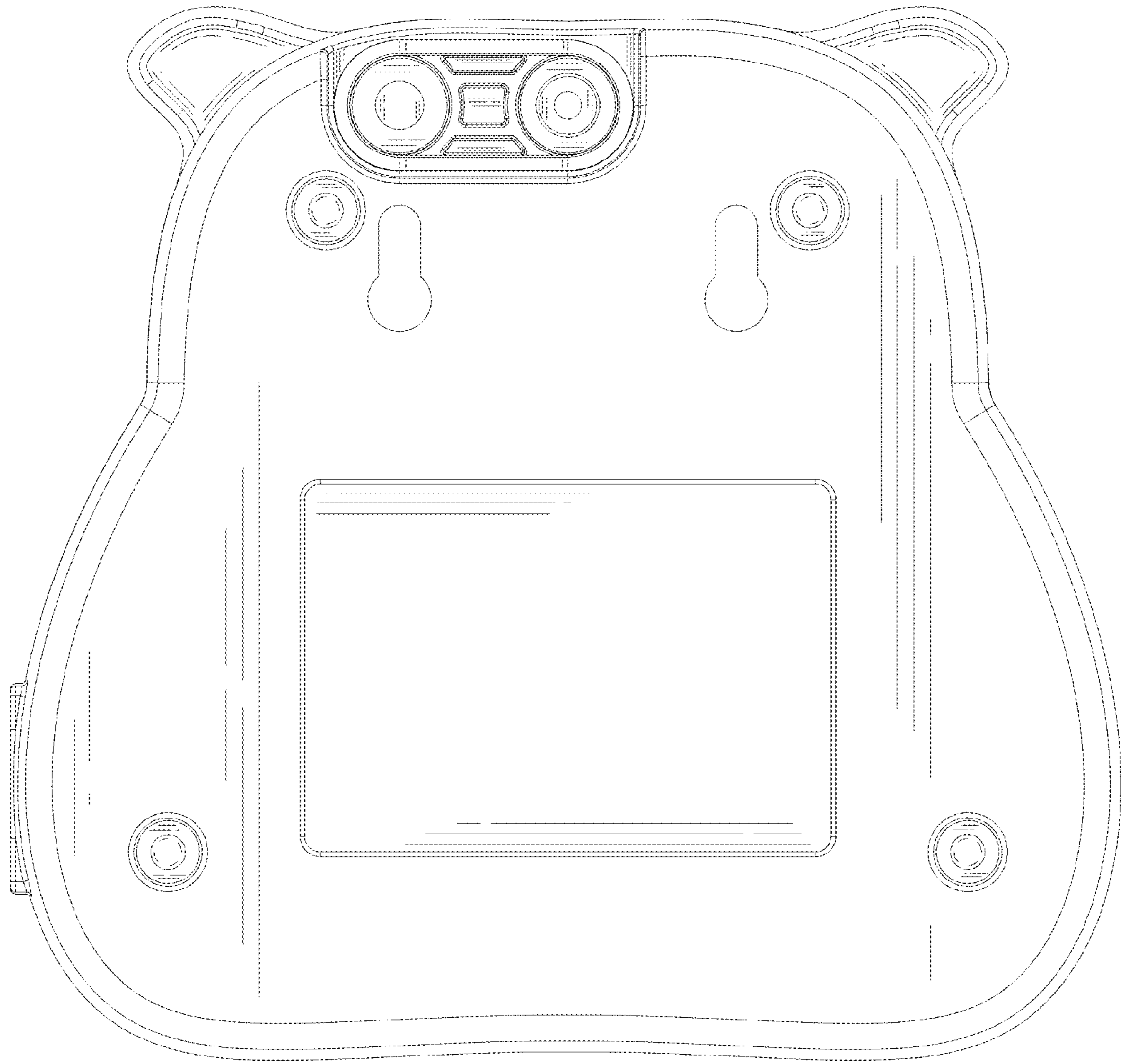


FIG. 4

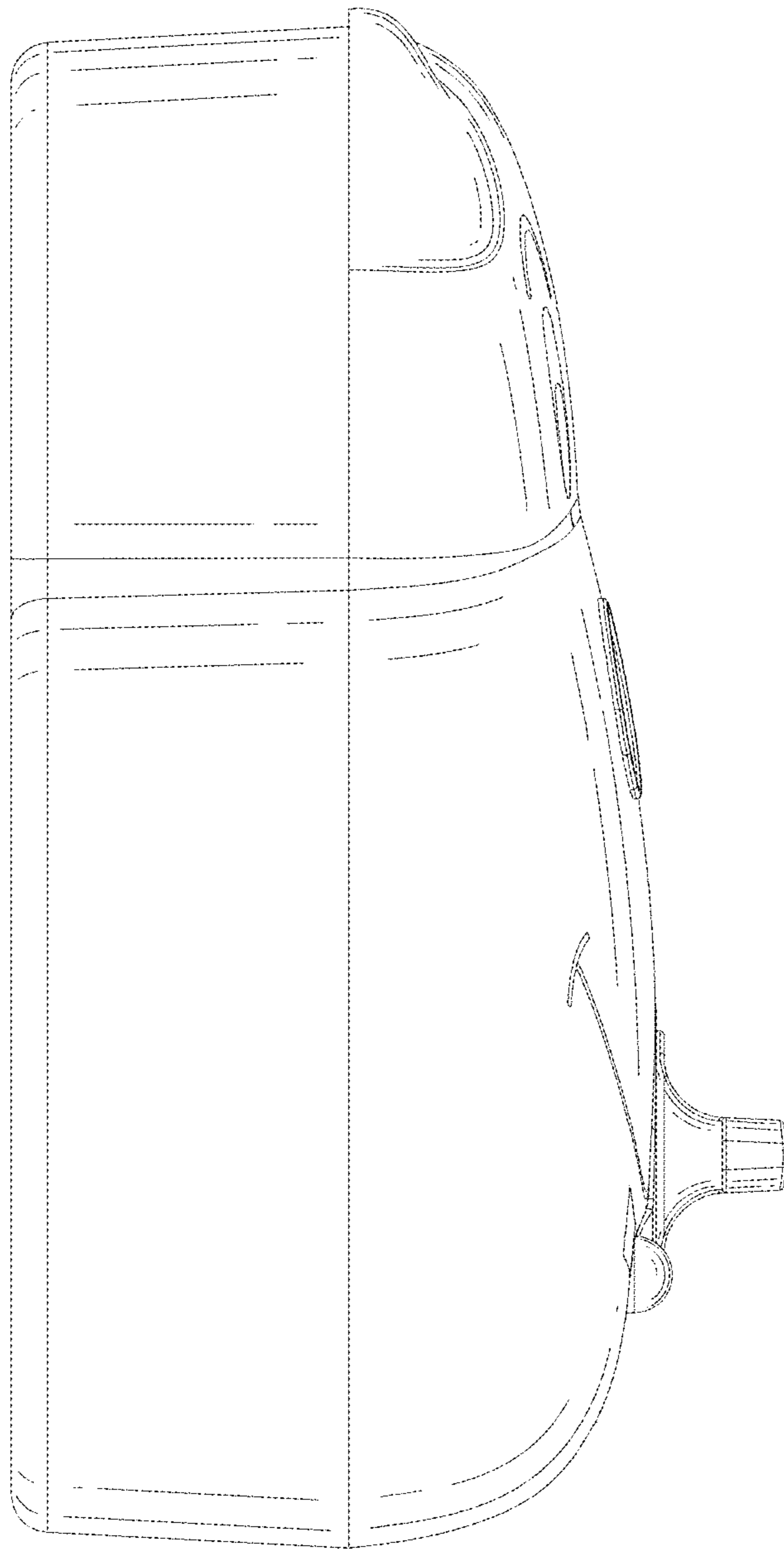


FIG. 5

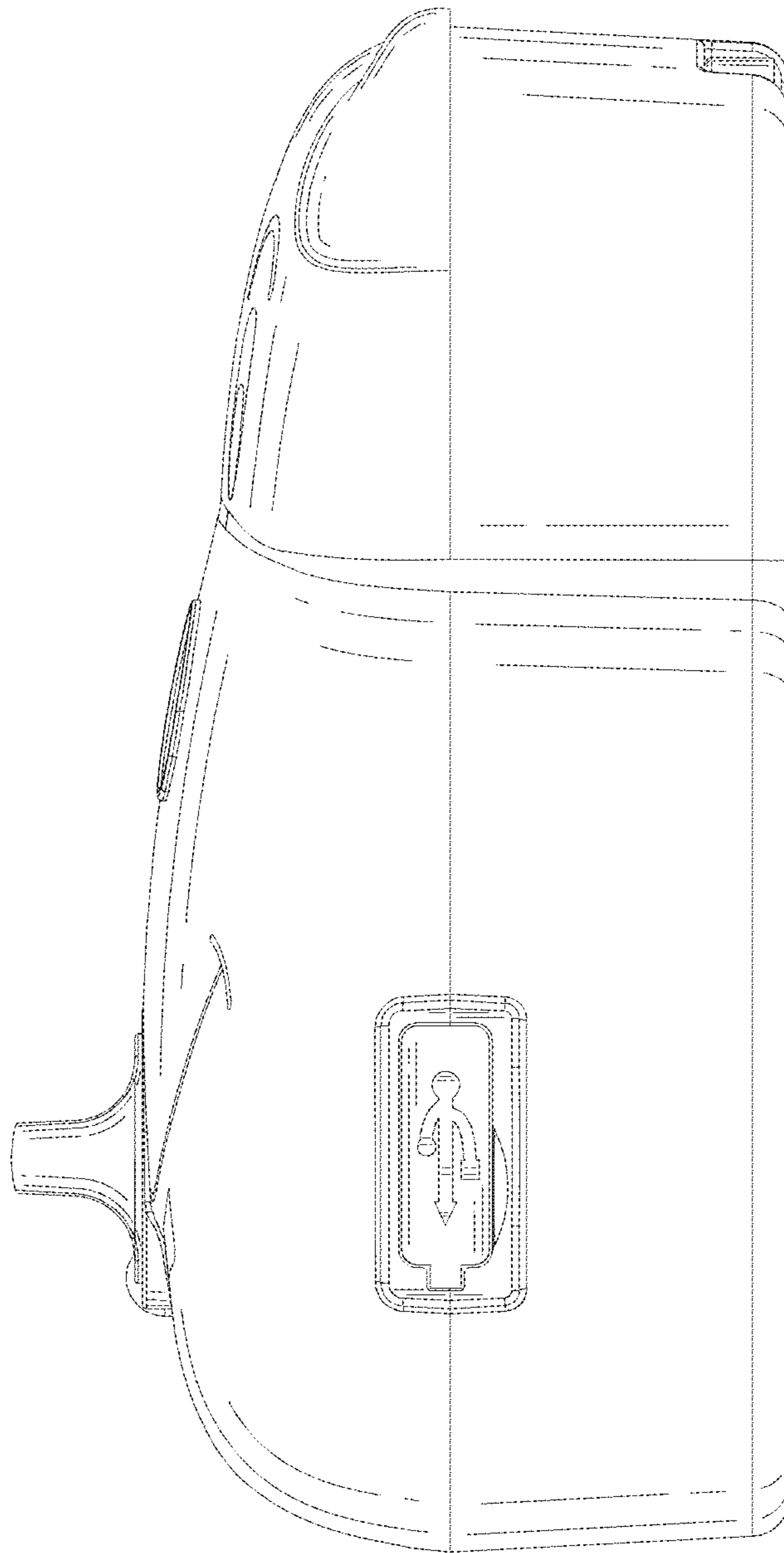


FIG. 6



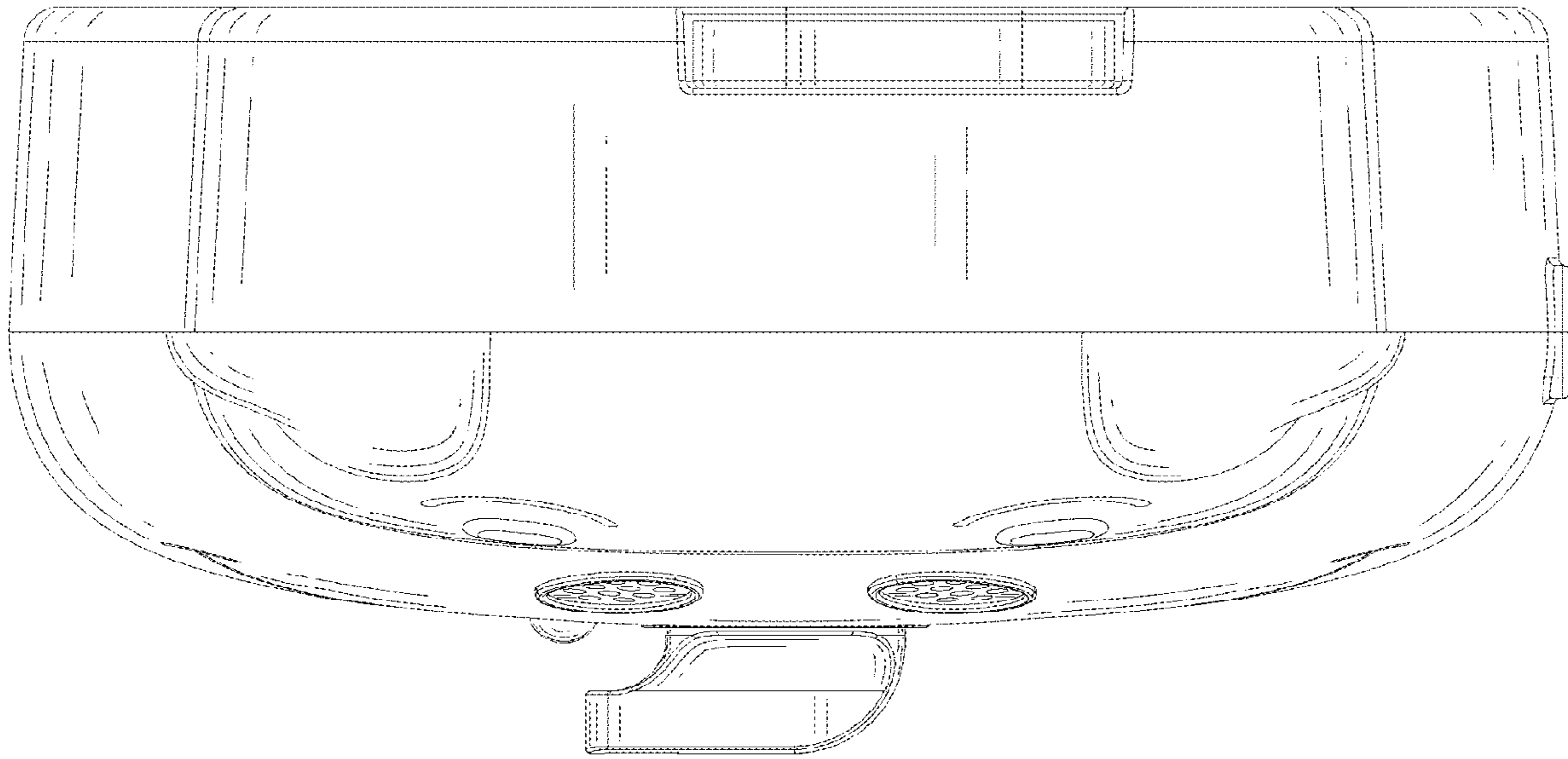


FIG. 7

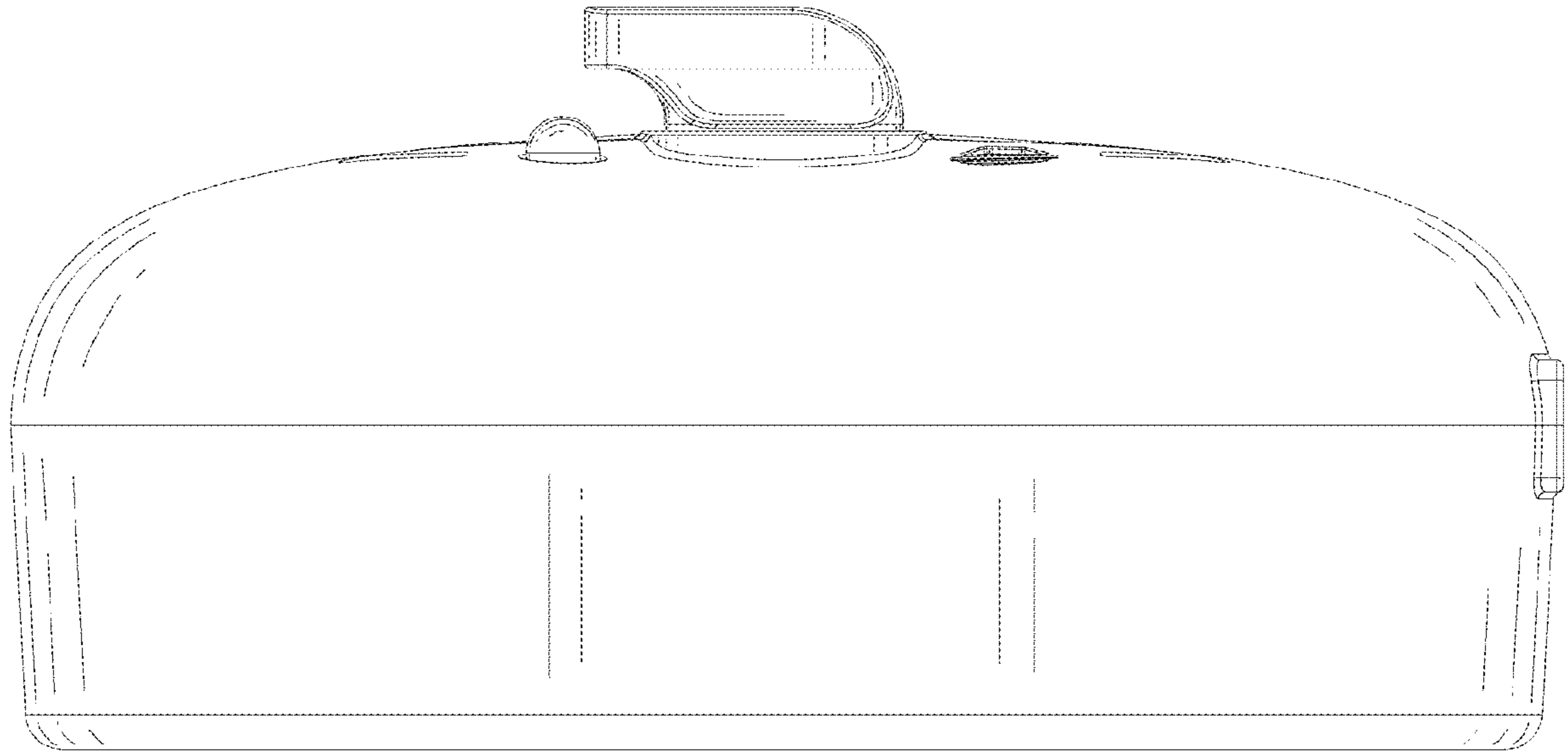


FIG. 8