



US00D945719S

(12) **United States Design Patent** (10) **Patent No.:** **US D945,719 S**
Sarver (45) **Date of Patent:** **** Mar. 8, 2022**

(54) **TOY BOX AND LEASH POST**

jamestownadvanced.com/t/category/cityscapes/dog-park/leash-posts (Last visited Oct. 23, 2018).

(71) Applicant: **Eco Sports Group, Inc.**, Indianapolis, IN (US)

(Continued)

(72) Inventor: **John T. Sarver**, Indianapolis, IN (US)

Primary Examiner — Susan Moon Lee

(74) *Attorney, Agent, or Firm* — Thomas | Horstemeyer, LLP

(73) Assignee: **ECO SPORTS GROUP, INC.**, Indianapolis, IN (US)

(57) **CLAIM**

(**) Term: **15 Years**

The ornamental design for a toy box and leash post, as shown and described.

(21) Appl. No.: **29/662,696**

DESCRIPTION

(22) Filed: **Sep. 7, 2018**

(51) **LOC (13) Cl.** **30-09**

(52) **U.S. Cl.**
USPC **D30/154**

(58) **Field of Classification Search**
USPC D30/154, 199; D6/663, 664, 336, 335, D6/338, 343, 367, 370, 380; 297/188.03, 297/188.08, 188.09, 188.01, 188.2, 297/188.21
CPC . A01K 1/00; A01K 1/106; A01K 1/04; A47C 7/626
See application file for complete search history.

FIG. 1 is a top perspective view of a toy box and leash post showing a first embodiment of the new design;
FIG. 2 is a front view thereof;
FIG. 3 is a rear view thereof;
FIG. 4 is a side view thereof;
FIG. 5 is a side view thereof opposite that of FIG. 4;
FIG. 6 is a top plan view thereof;
FIG. 7 is a bottom plan view thereof;
FIG. 8 is a top perspective view of a toy box and leash post showing a second embodiment of the new design;
FIG. 9 is a front view thereof;
FIG. 10 is a rear view thereof;
FIG. 11 is a side view thereof;
FIG. 12 is a side view thereof opposite that of FIG. 11;
FIG. 13 is a top plan view thereof;
FIG. 14 is a bottom plan view thereof;
FIG. 15 is a top perspective view of a toy box and leash post showing a third embodiment of the new design;
FIG. 16 is a front view thereof;
FIG. 17 is a rear view thereof;
FIG. 18 is a side view thereof;
FIG. 19 is a side view thereof opposite that of FIG. 18;
FIG. 20 is a top plan view thereof; and,
FIG. 21 is a bottom plan view thereof.

(56) **References Cited**

U.S. PATENT DOCUMENTS

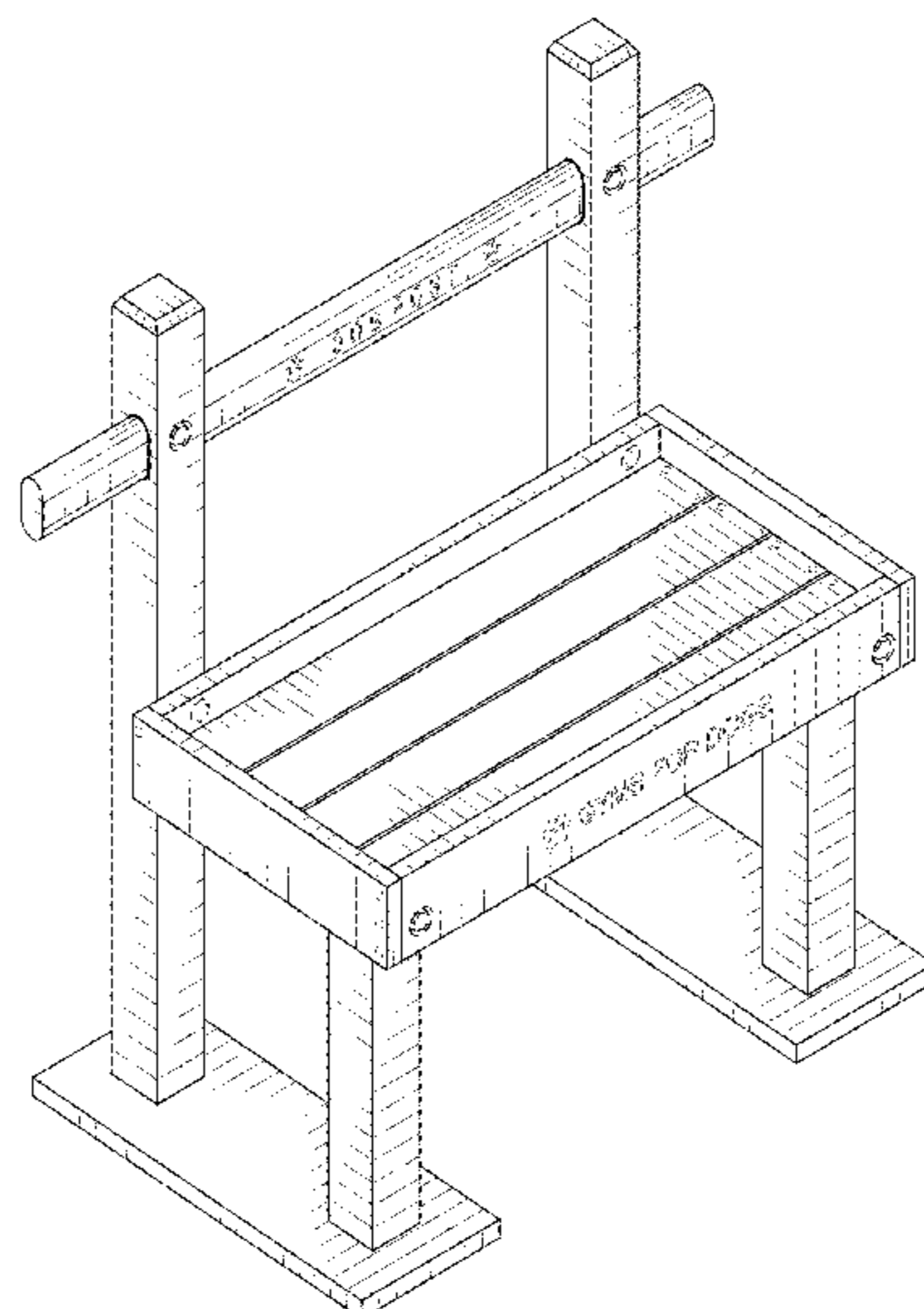
894,561 A * 7/1908 Wood A47F 7/10
211/170
1,673,988 A * 6/1928 Nitti A47C 4/52
190/8
1,767,708 A * 6/1930 Simpson A47C 7/64
297/188.03
D129,929 S * 10/1941 Pressman D21/522
D174,616 S * 5/1955 Dixon D6/343

(Continued)

OTHER PUBLICATIONS

Jamestown Advanced Products, Leash Posts Dog Park, <https://www.jamestownadvanced.com/t/category/cityscapes/dog-park/leash-posts>

1 Claim, 21 Drawing Sheets



(56)

References Cited

U.S. PATENT DOCUMENTS

D180,542 S * 7/1957 Barrow D6/336
 D199,532 S * 11/1964 Ronaldo et al. D6/343
 3,189,380 A * 6/1965 Reguitti A47C 7/64
 297/188.03
 D214,041 S * 5/1969 Shoemaker D6/336
 D302,030 S * 7/1989 Breuil D21/522
 D345,865 S * 4/1994 Tintori D3/904
 D360,766 S * 8/1995 Sacchi Lodispoto D6/336
 D361,437 S * 8/1995 Sacchi Lodispoto D6/336
 D362,348 S * 9/1995 Sacchi Lodispoto D6/336
 D387,571 S * 12/1997 Schweter D6/335
 D453,539 S * 2/2002 Lanchais D21/522
 D509,075 S * 9/2005 Katz D6/336
 D565,257 S * 3/2008 Cusick D30/154
 D573,315 S * 7/2008 Kelley D30/154
 D618,000 S * 6/2010 Hernandez D6/336
 D676,498 S * 2/2013 Desberg D21/522
 D846,291 S * 4/2019 McIver D6/336
 2012/0200126 A1 * 8/2012 Najjar A47C 7/626
 297/188.03

OTHER PUBLICATIONS

Jamestown Advanced Products, Product Catalog p. 25—Item 4552.
<https://s3.amazonaws.com/jamestown-catalog/catalog/2017ProductCatalog.pdf> (Last visited Oct. 23, 2018).
 Barkpark, Leash Post. [http://www.dogparkproduct.com/downloads/Leash%20Post%20\(BARK-480\).PDF](http://www.dogparkproduct.com/downloads/Leash%20Post%20(BARK-480).PDF) (Last visted Oct. 23, 2018).
 Barkpark, Leash Post, http://www.dogparkproduct.com/amenities/leash_post.html (Last visited Oct. 23, 2018).
 Dog on it Parks, Pet Parking Post, <https://www.dog-on-it-parks.com/pet-parking-post.html> (Last visited Oct. 24, 2018).
 Dog on it Parks, Poodle Parking Post, <https://www.dog-on-it-parks.com/poodle-parking-post.html> (Last visited Oct. 24, 2018).
 DogiPot, DogiPark. <https://www.dogipot.com/dogipark> (Last visited Oct. 24, 2018).
 Gogreen Paws, Products, <http://www.gogreenpaws.com/menu> (Last visited Oct. 24, 2018).
 Park Warehouse, Leash Post—ParkTastic. <https://parkwarehouse.com/product/leash-post-parktastic/> (Last visited Oct. 24, 2018).
 Barks and Rec, An Innovative New Dog Park Line, Turning Heads and Tails, <http://www.barksandrec.com/> (Last visited Oct. 24, 2018).

* cited by examiner

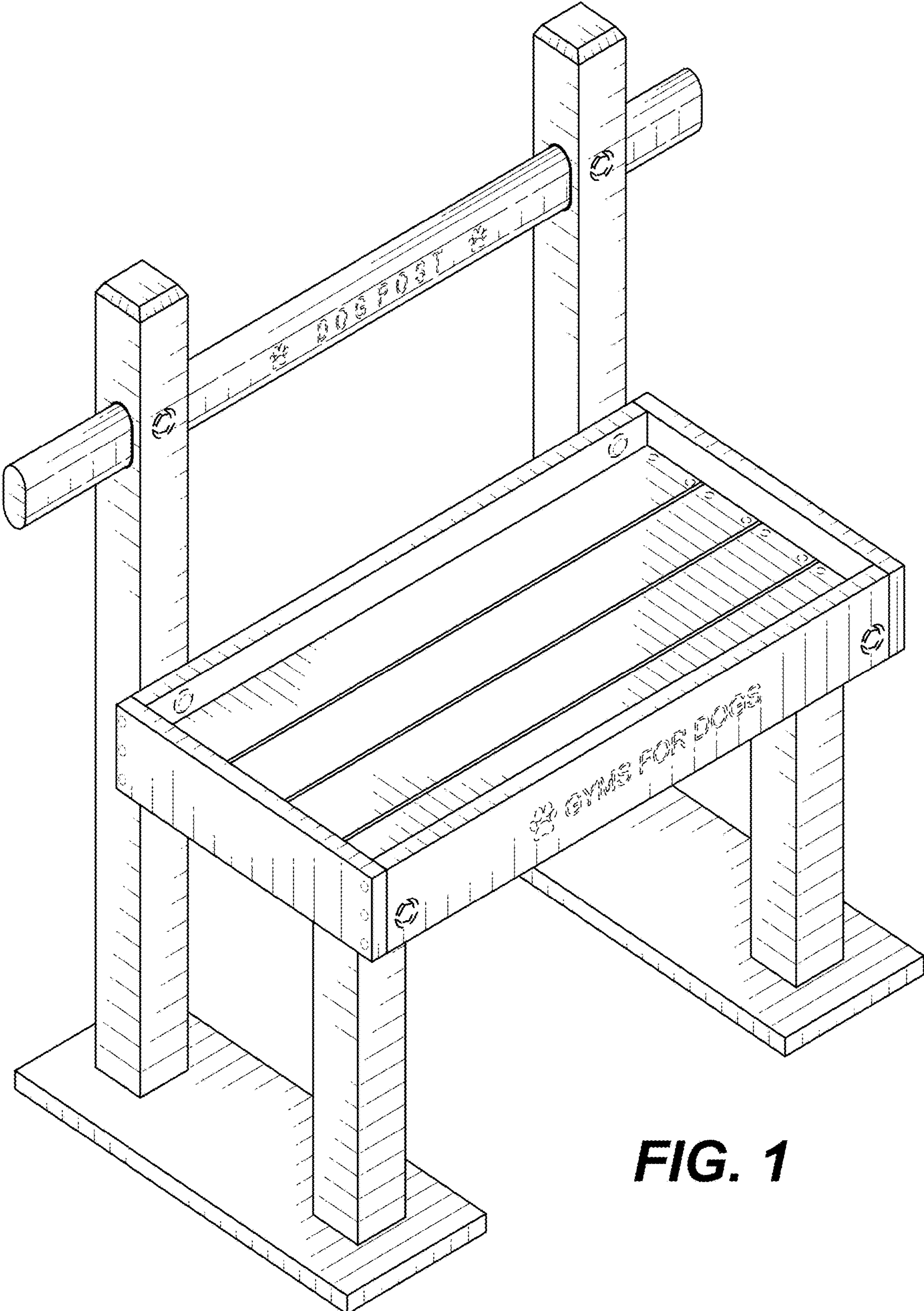


FIG. 1

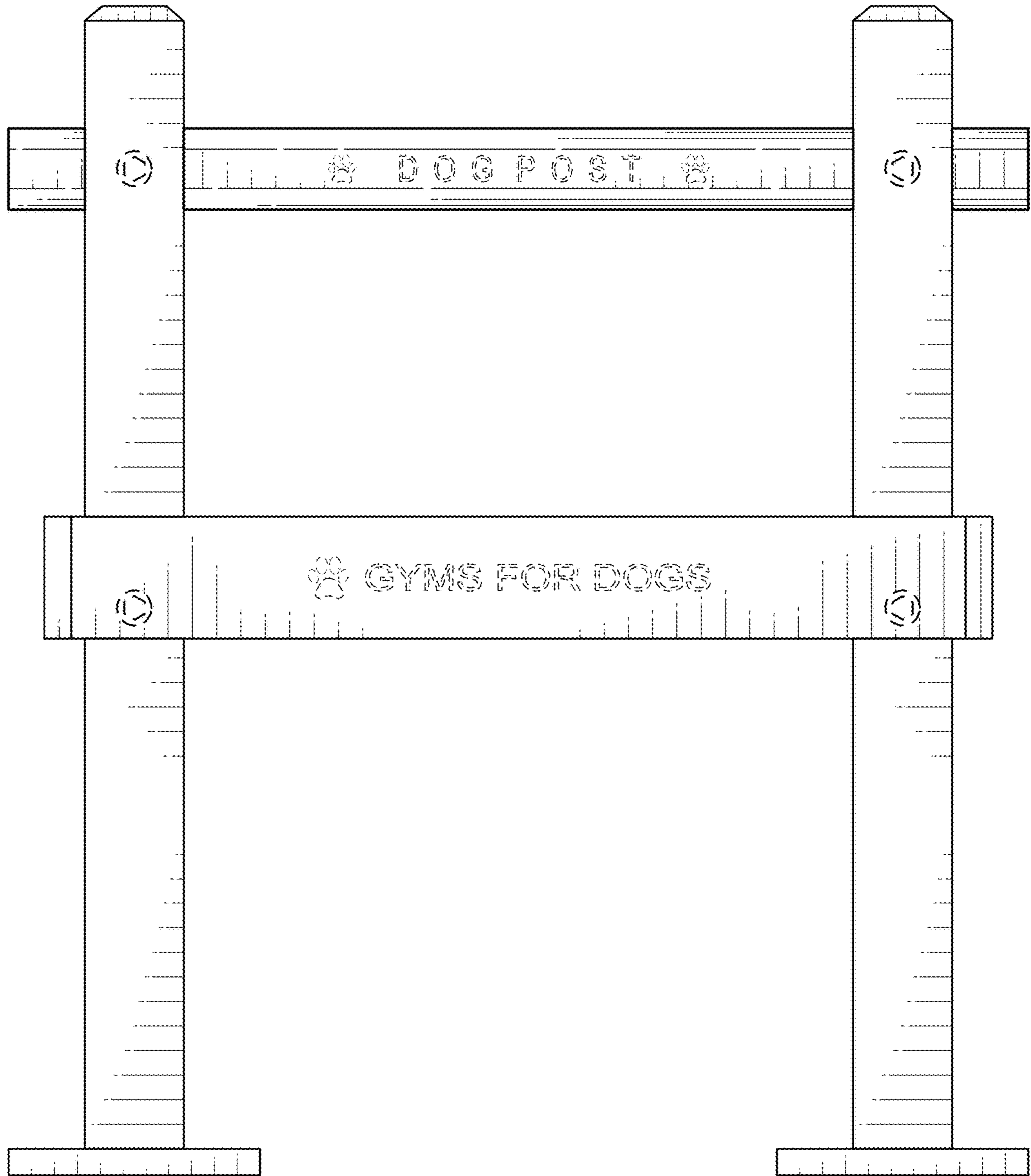


FIG. 2

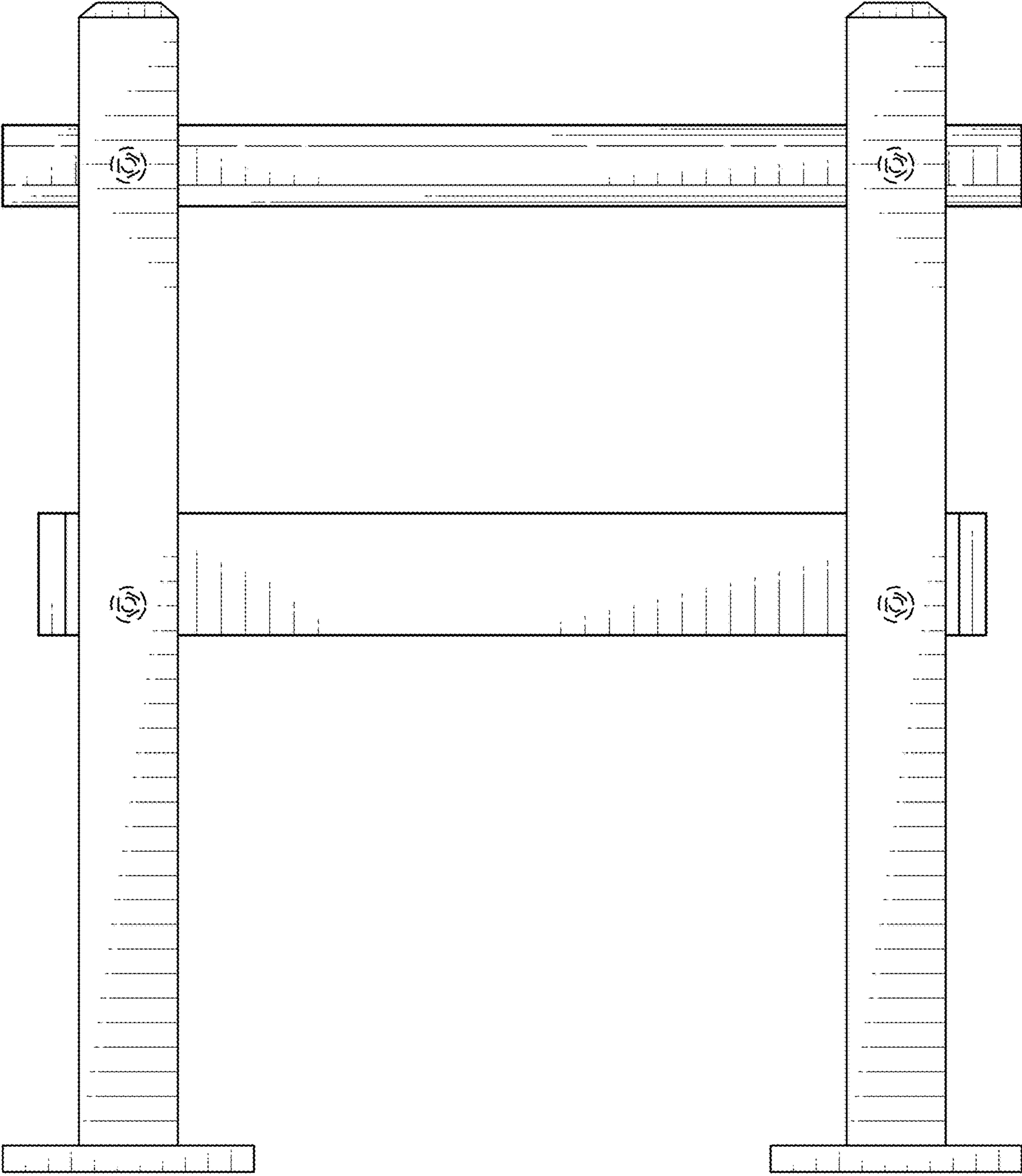


FIG. 3

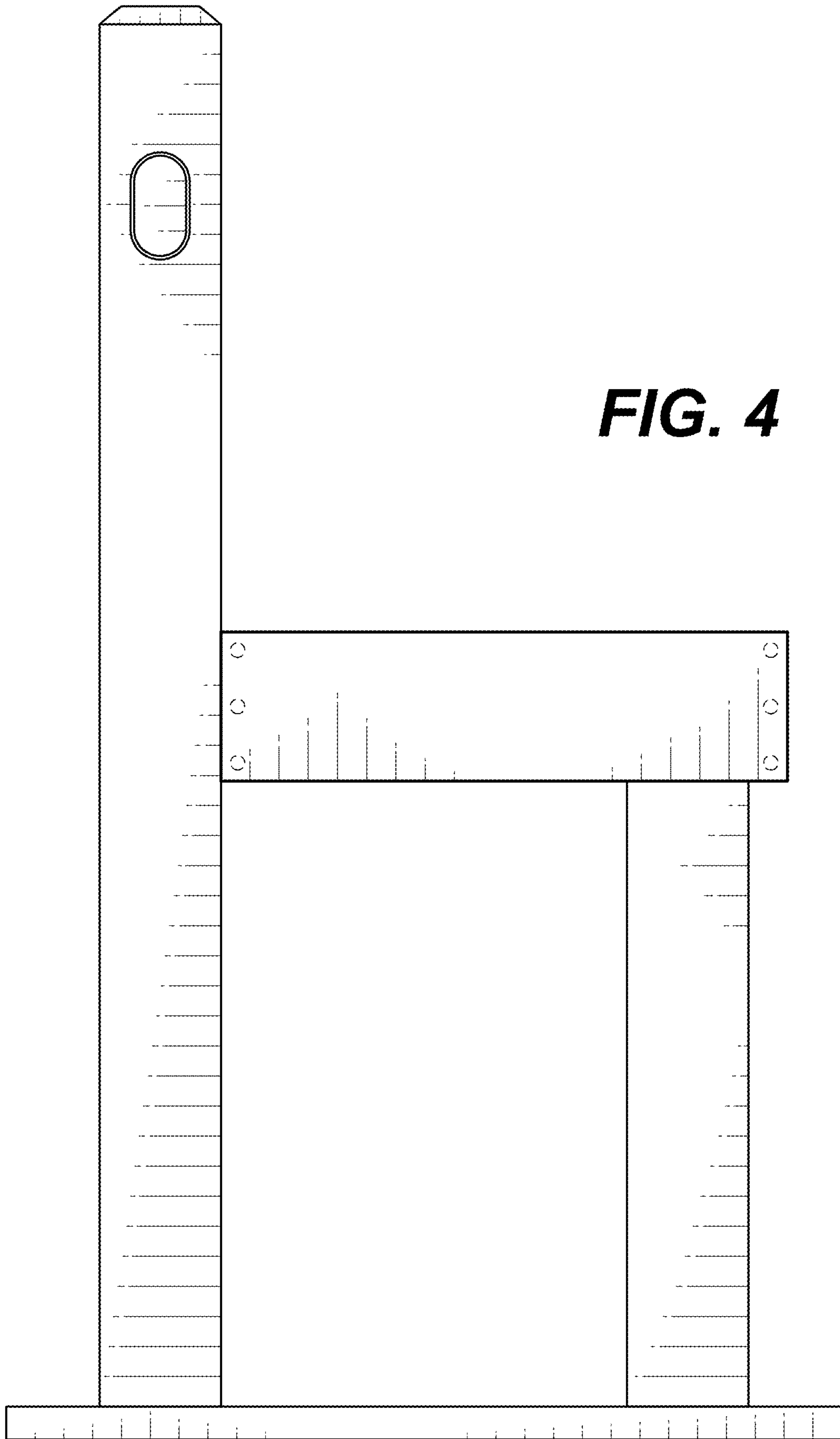
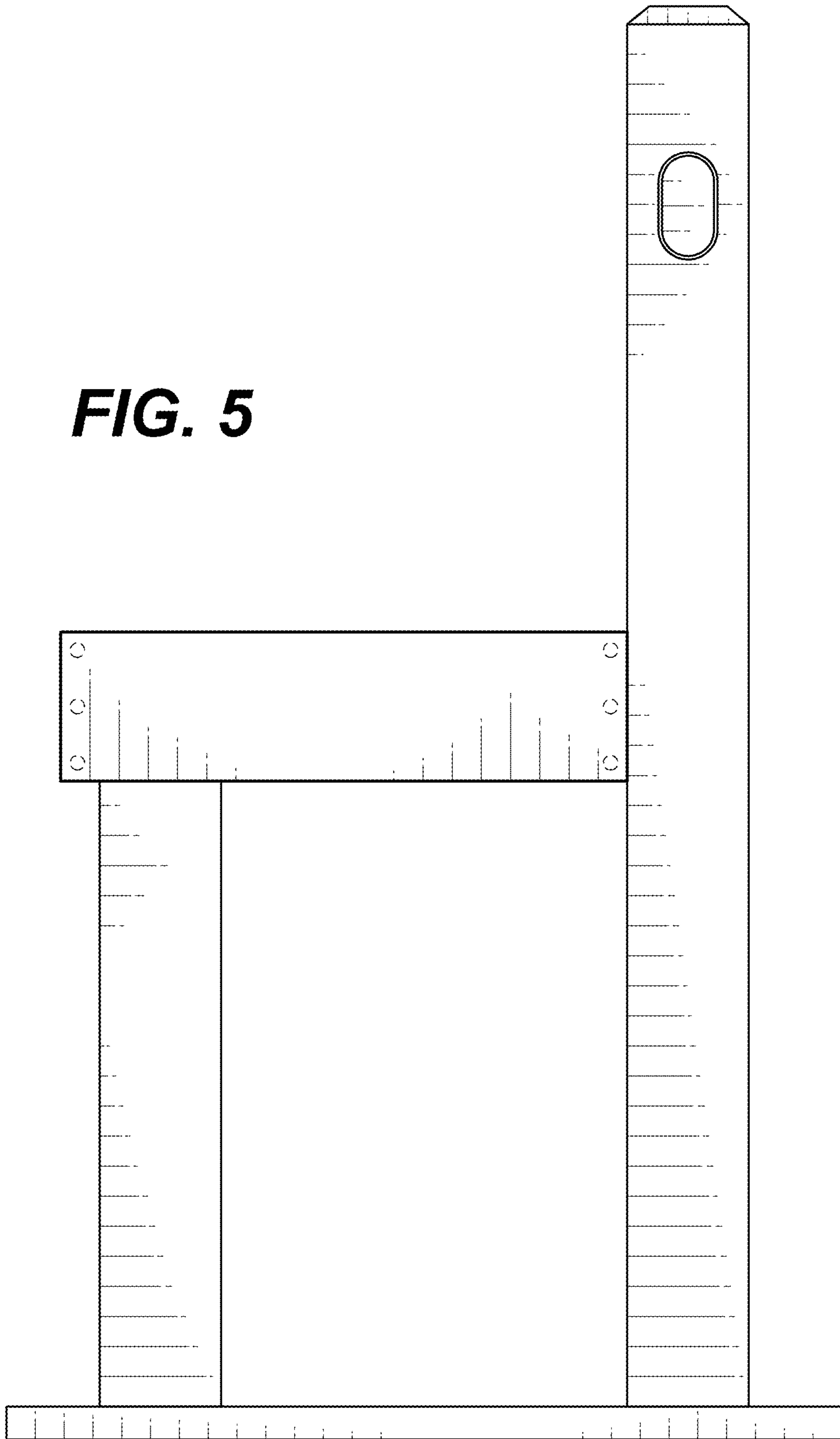


FIG. 4

FIG. 5



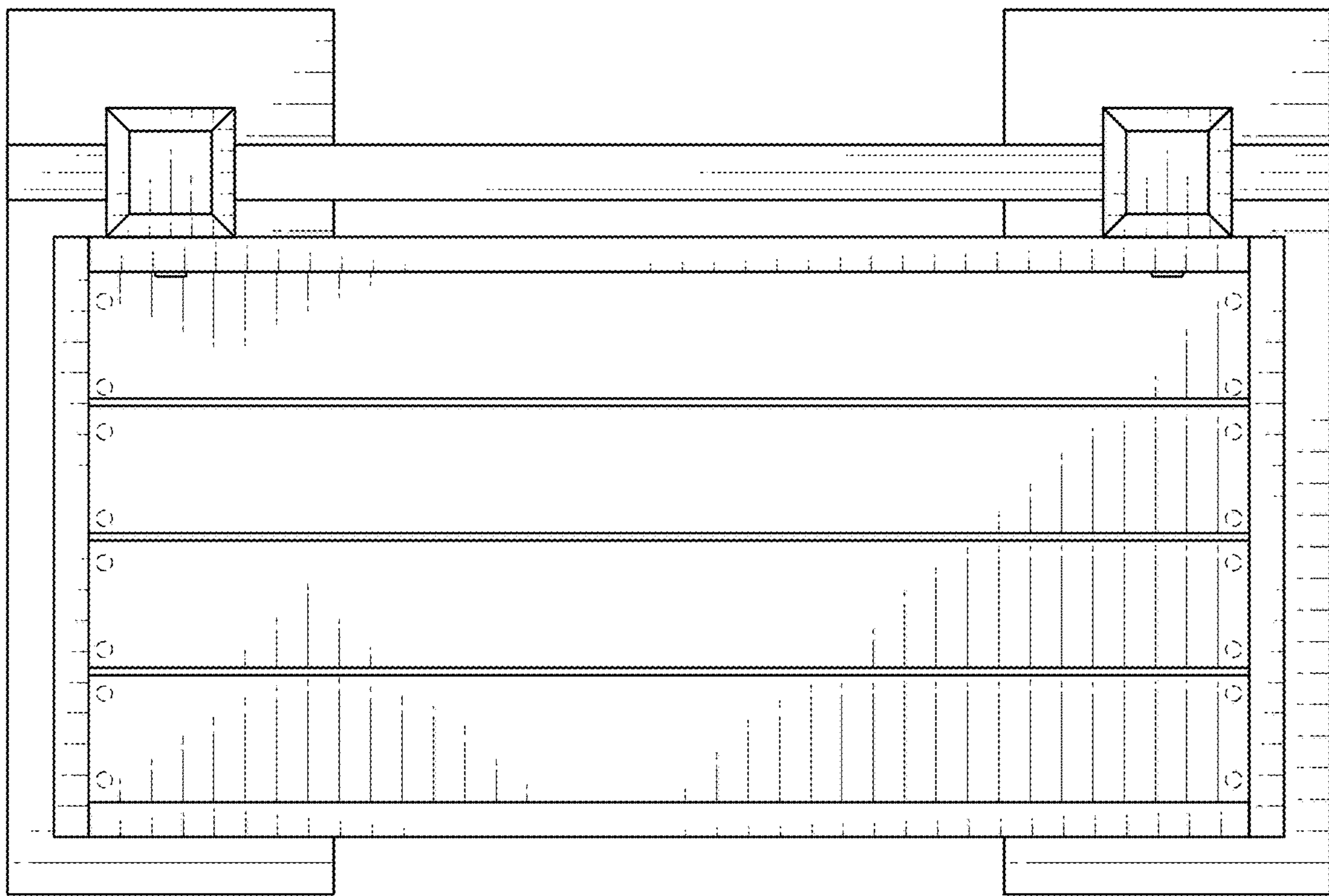


FIG. 6

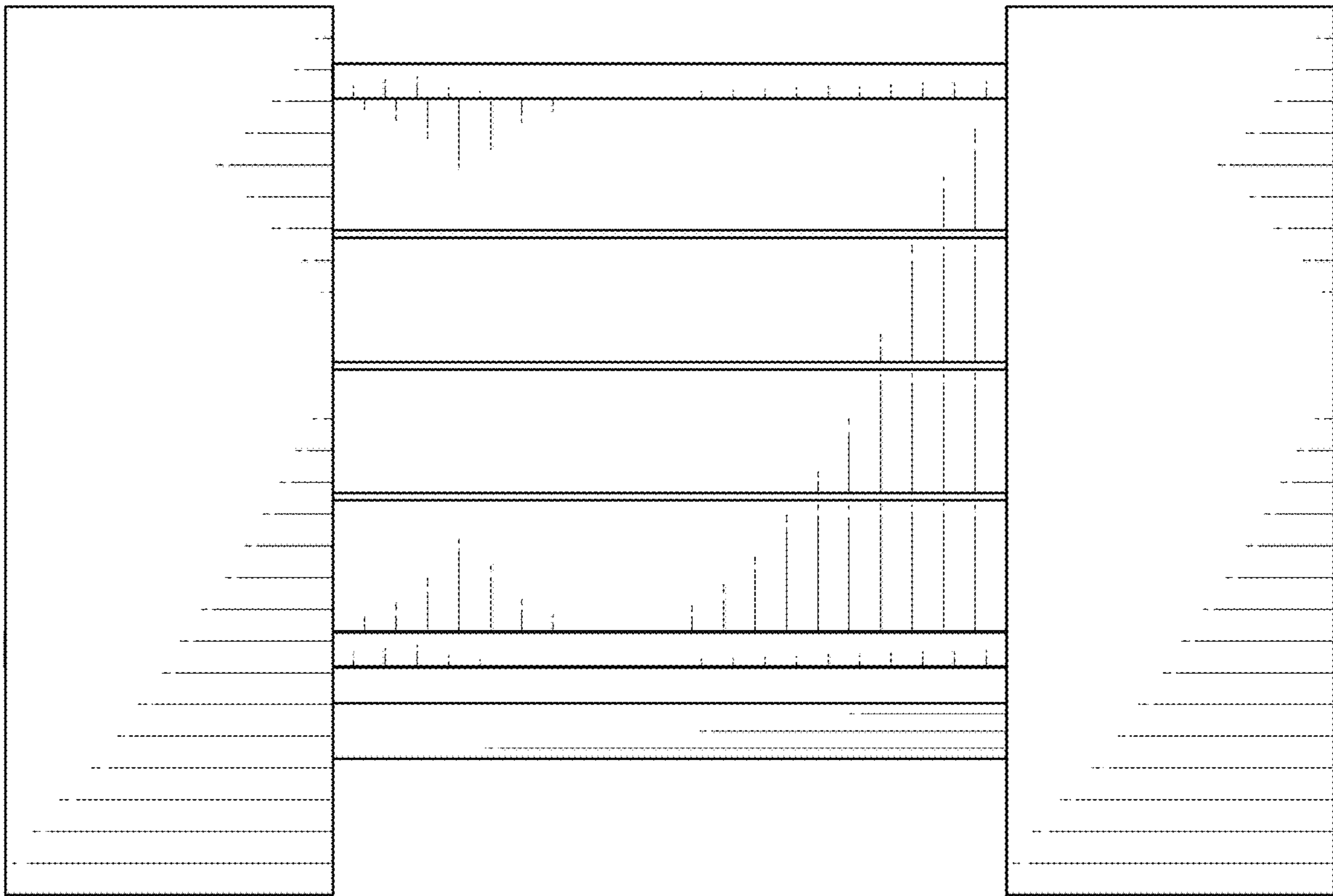


FIG. 7

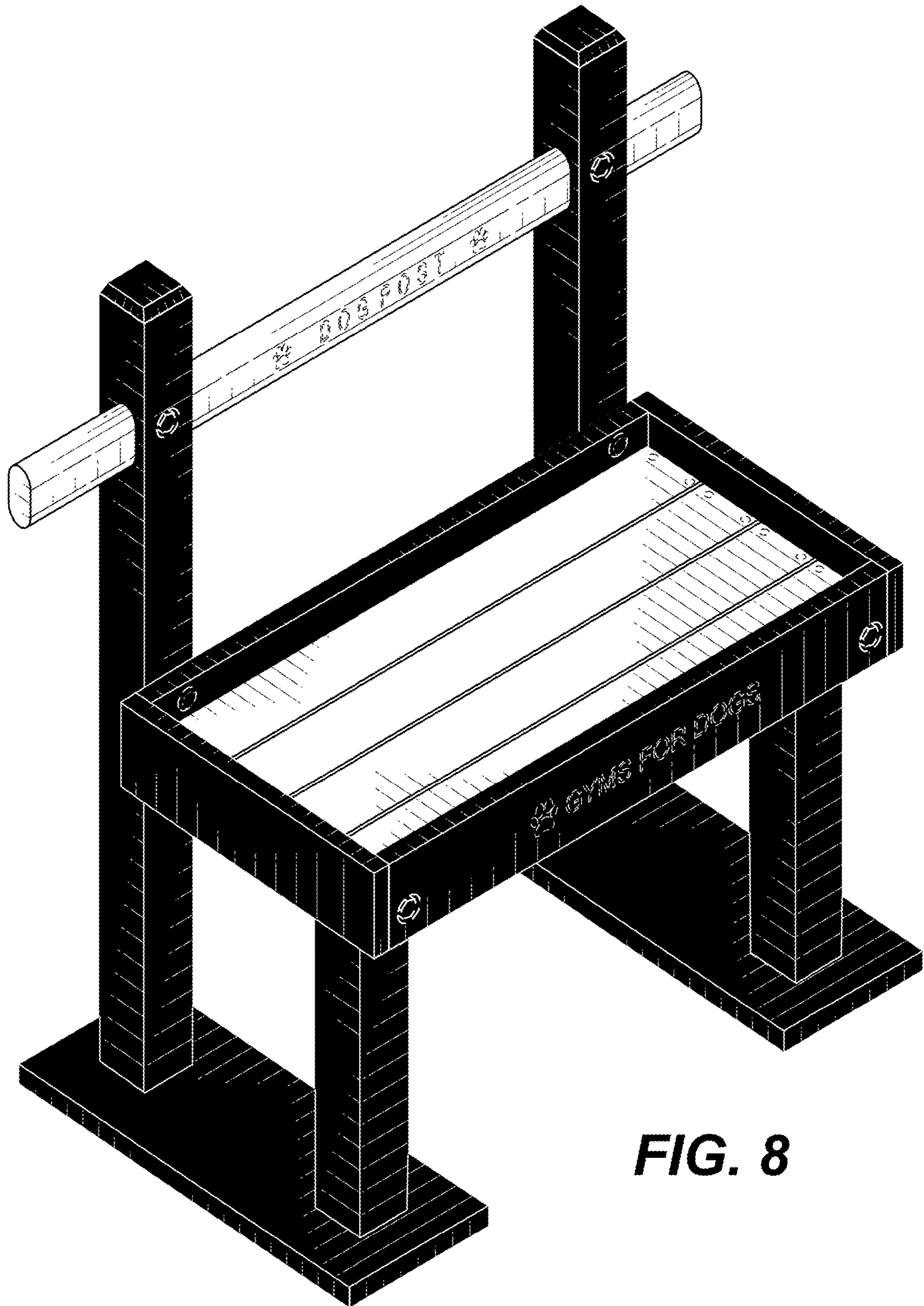


FIG. 8

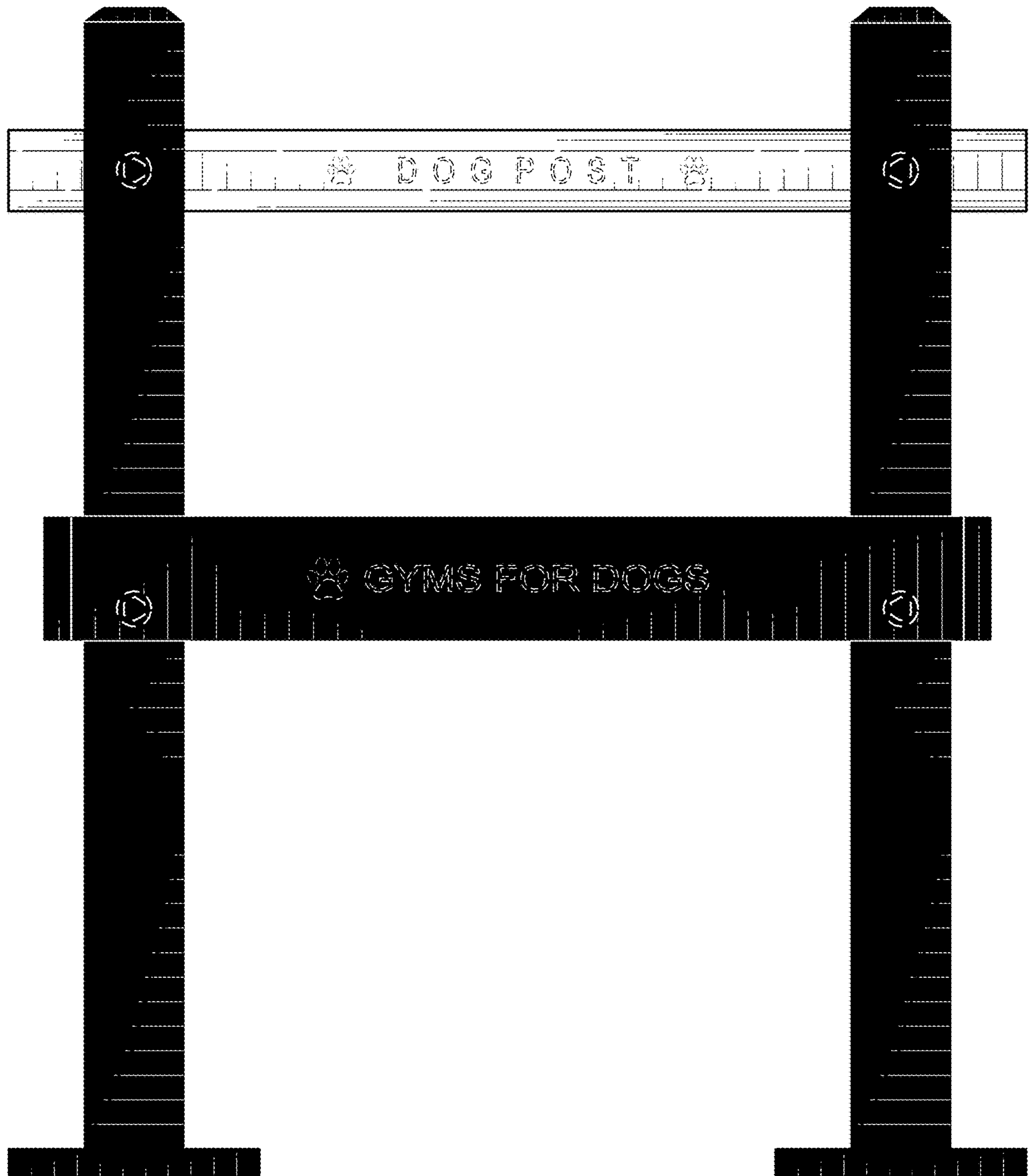


FIG. 9

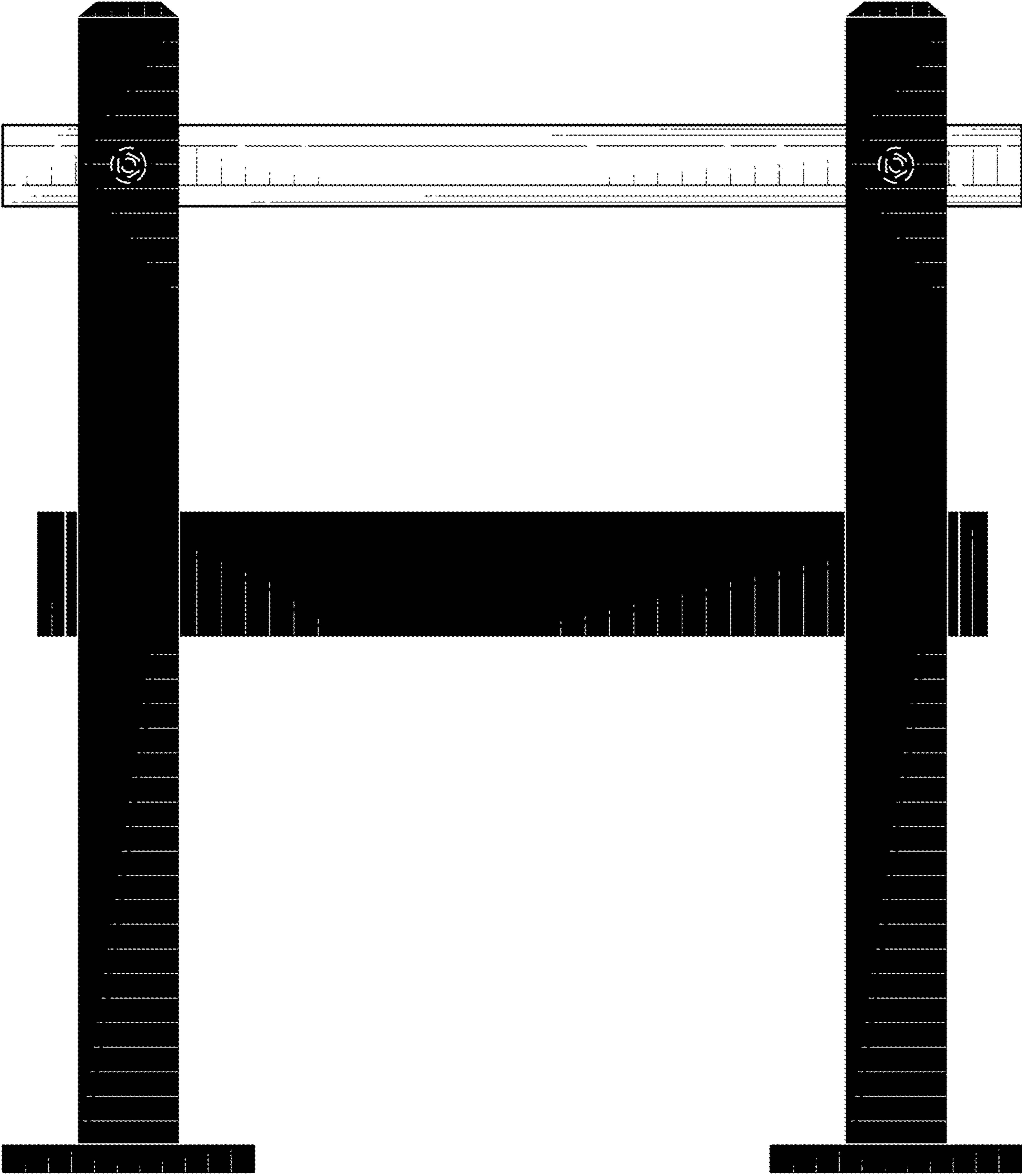


FIG. 10

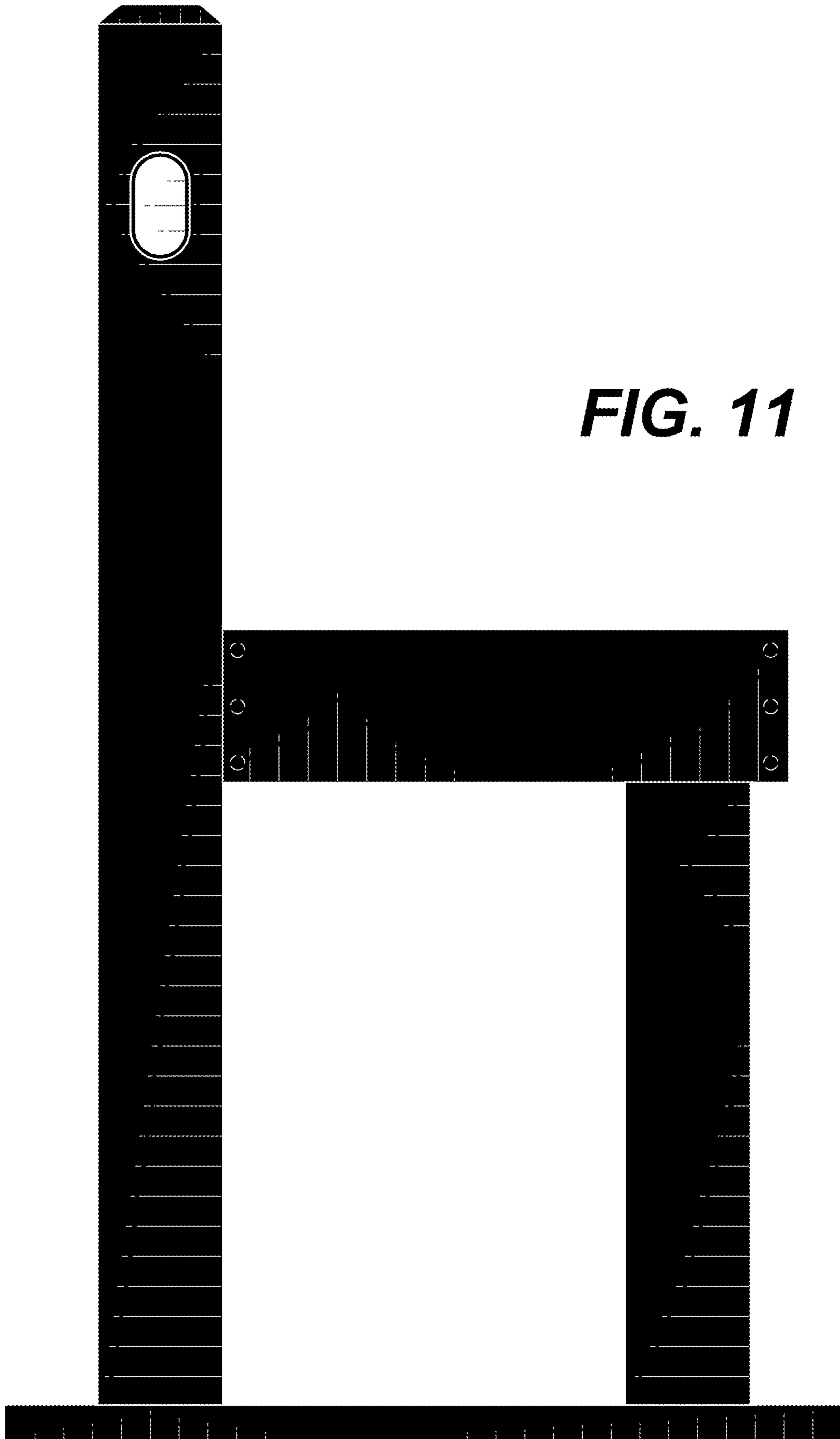
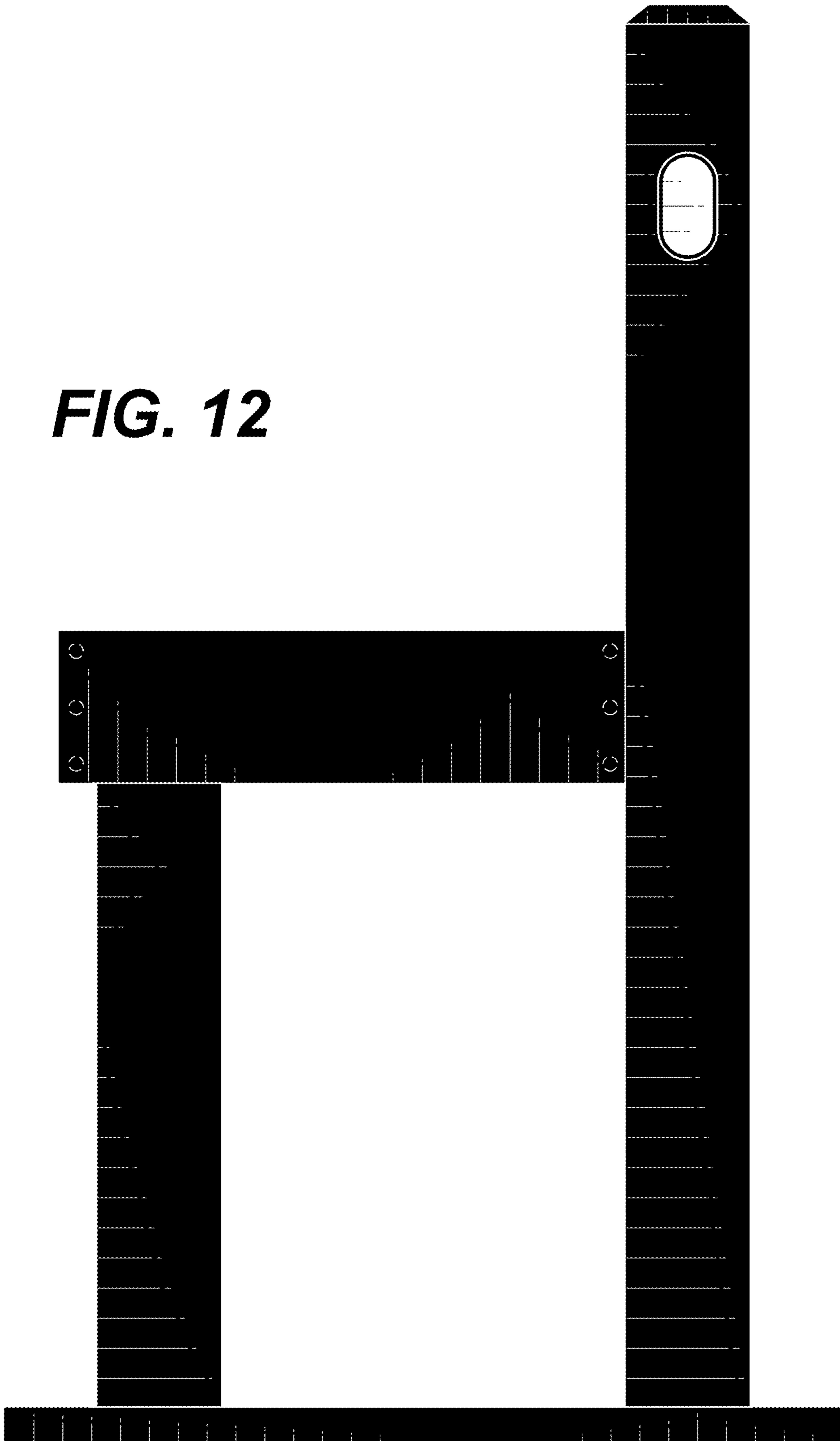


FIG. 11

FIG. 12



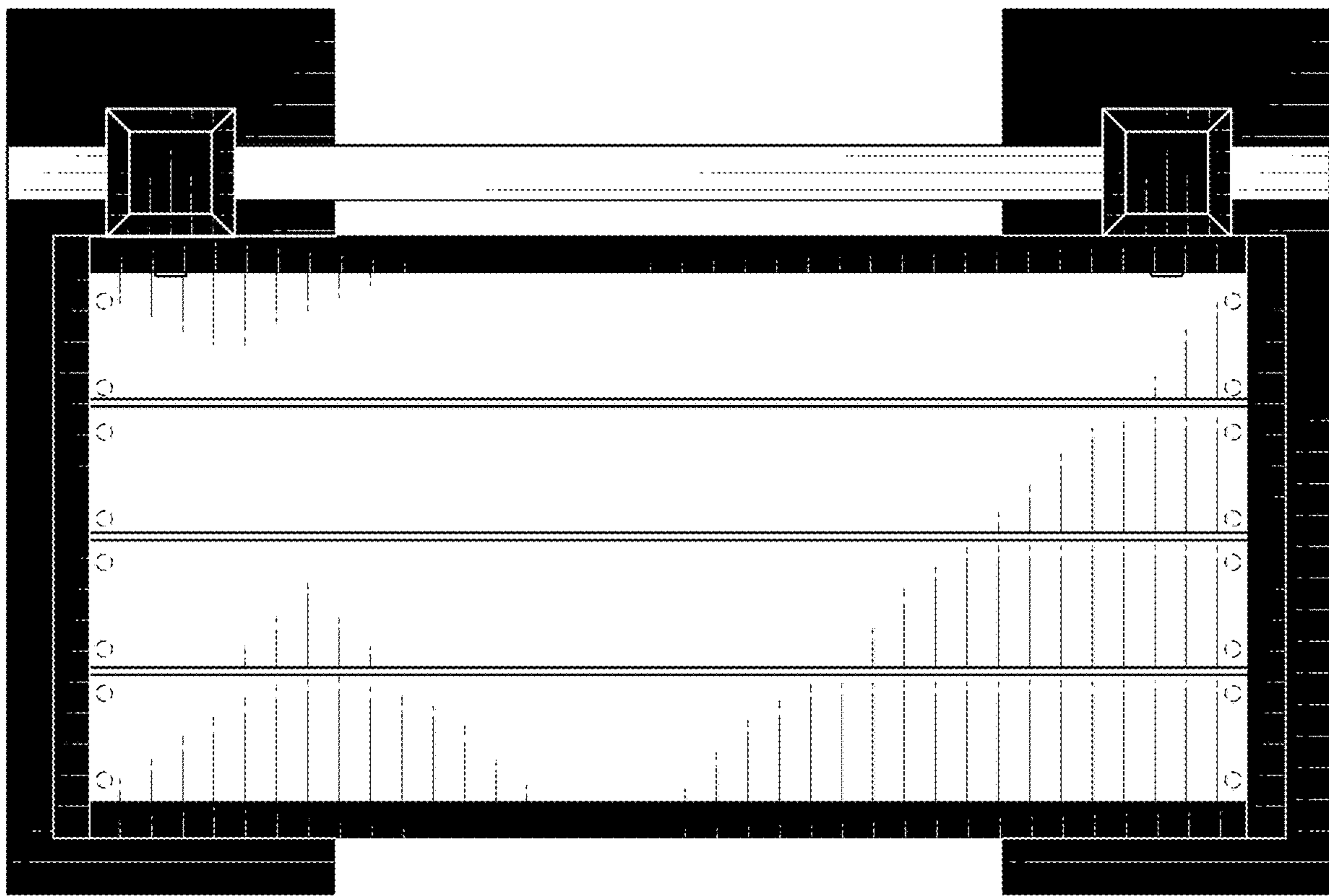


FIG. 13

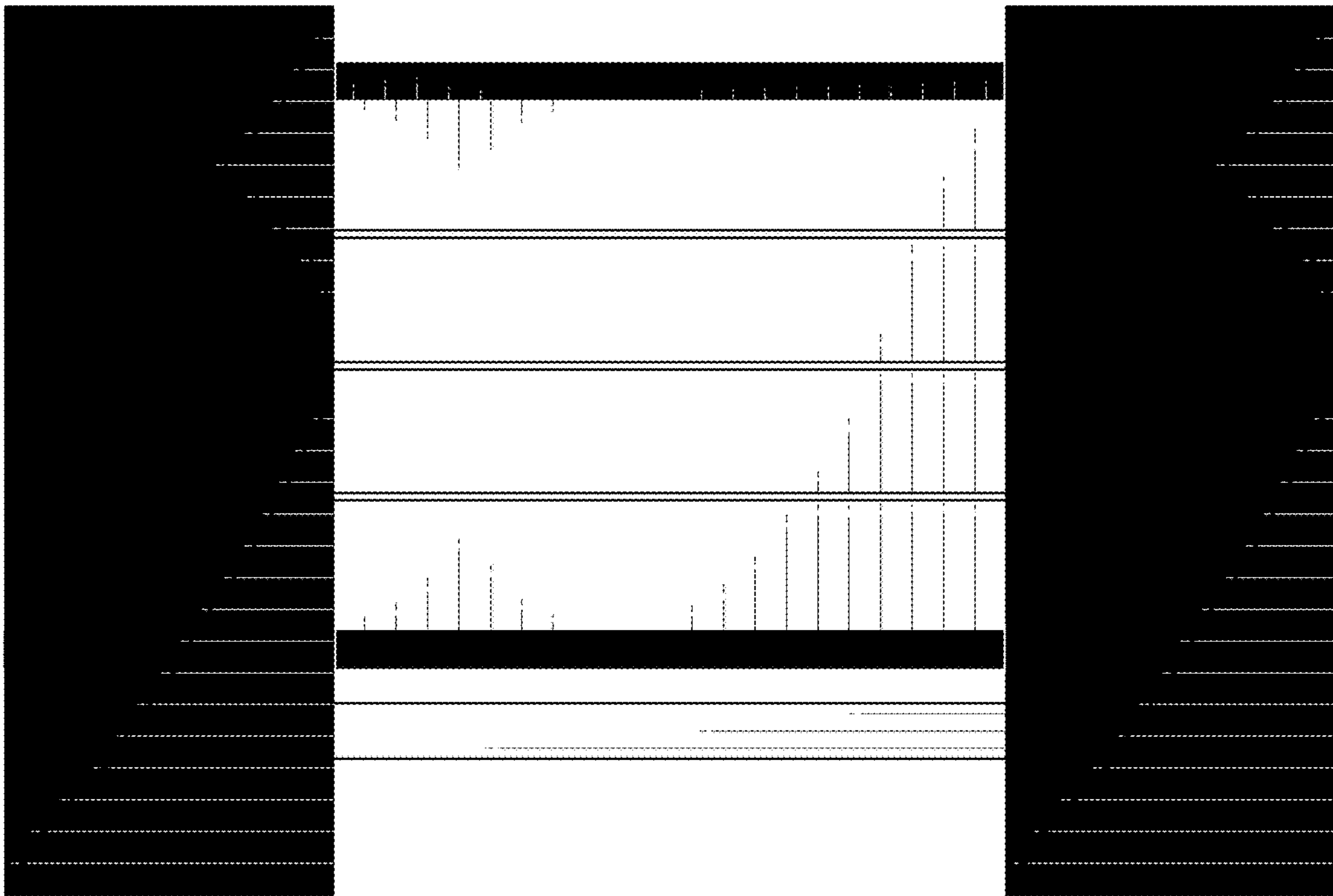


FIG. 14

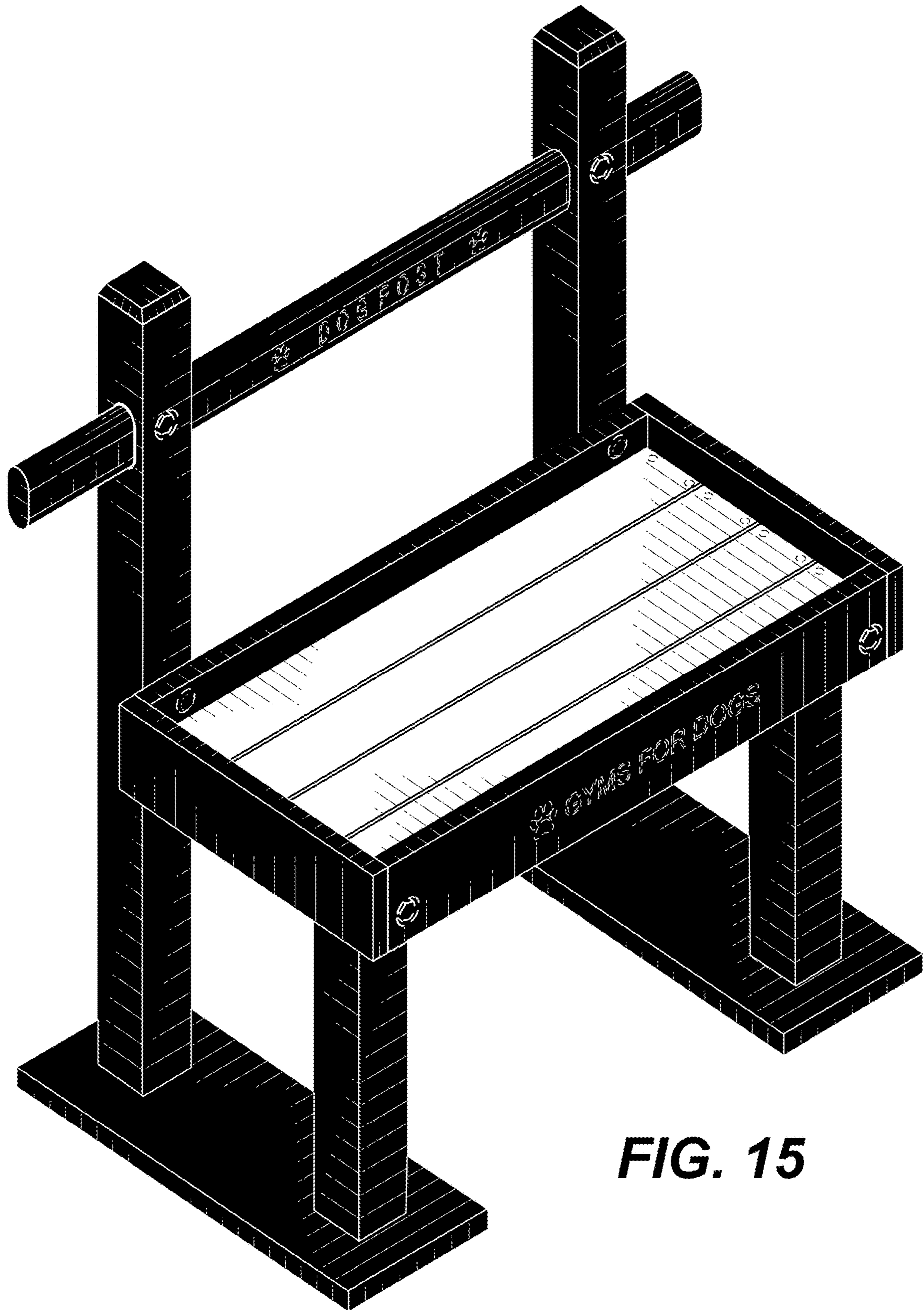


FIG. 15

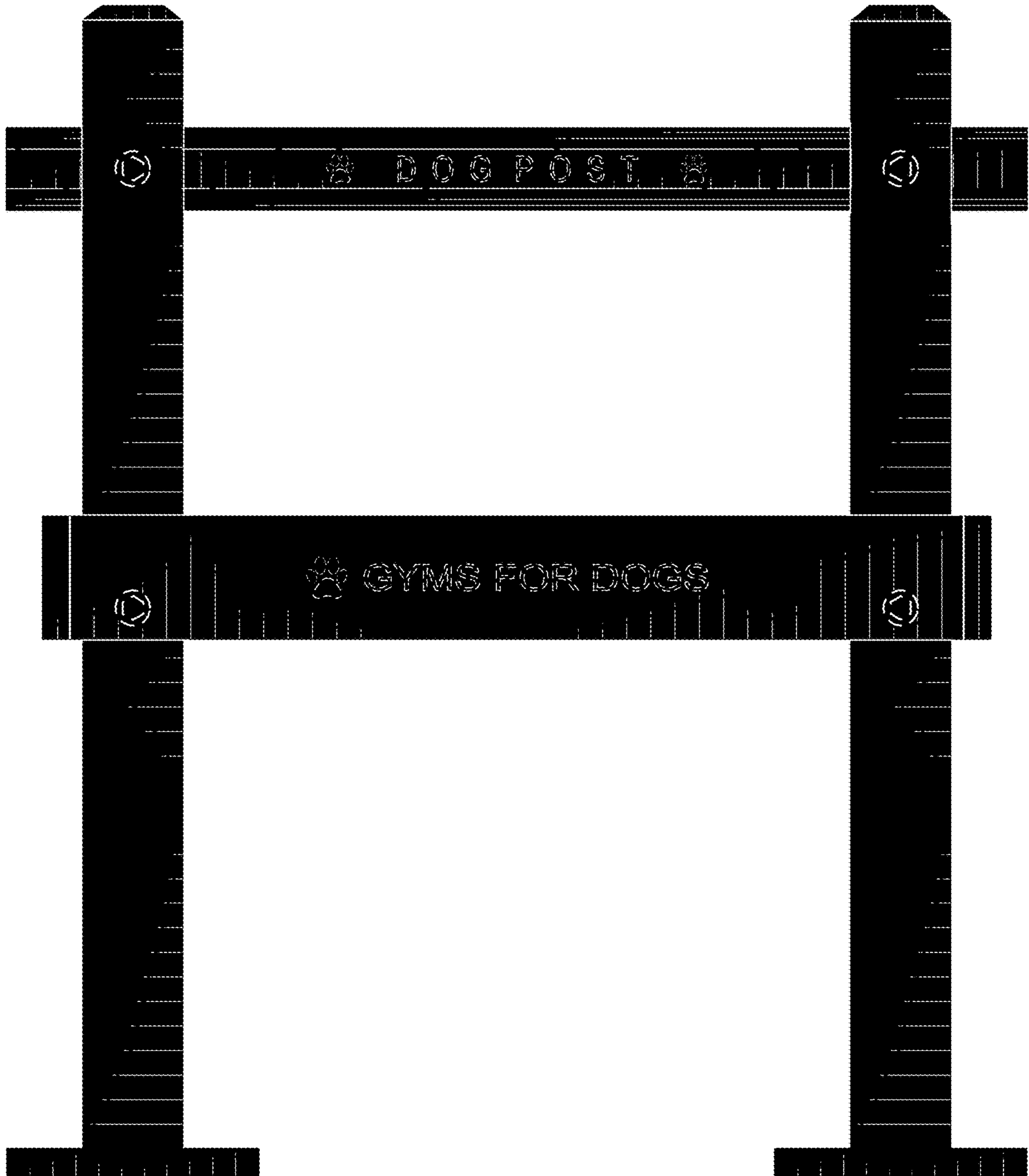


FIG. 16

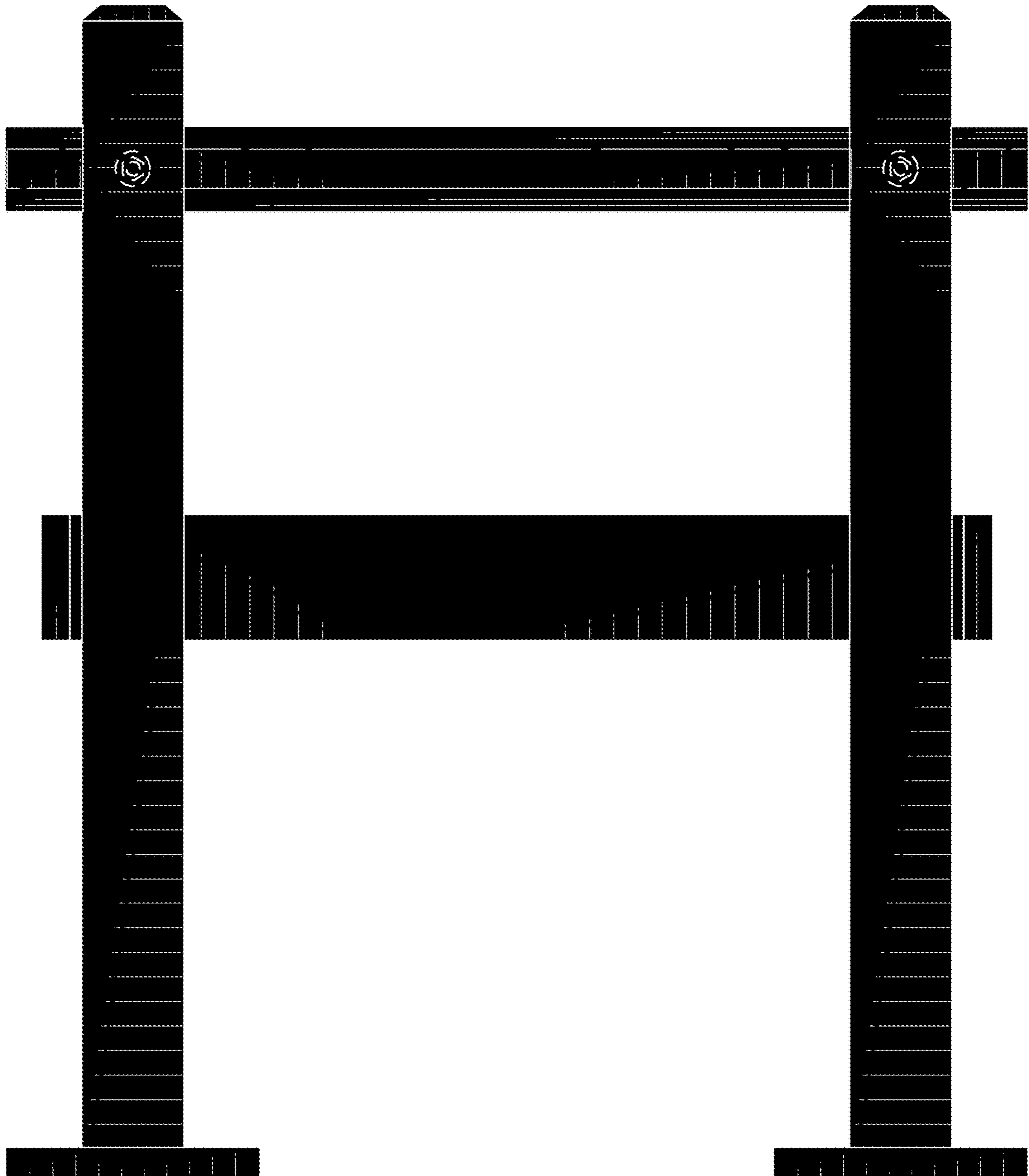


FIG. 17

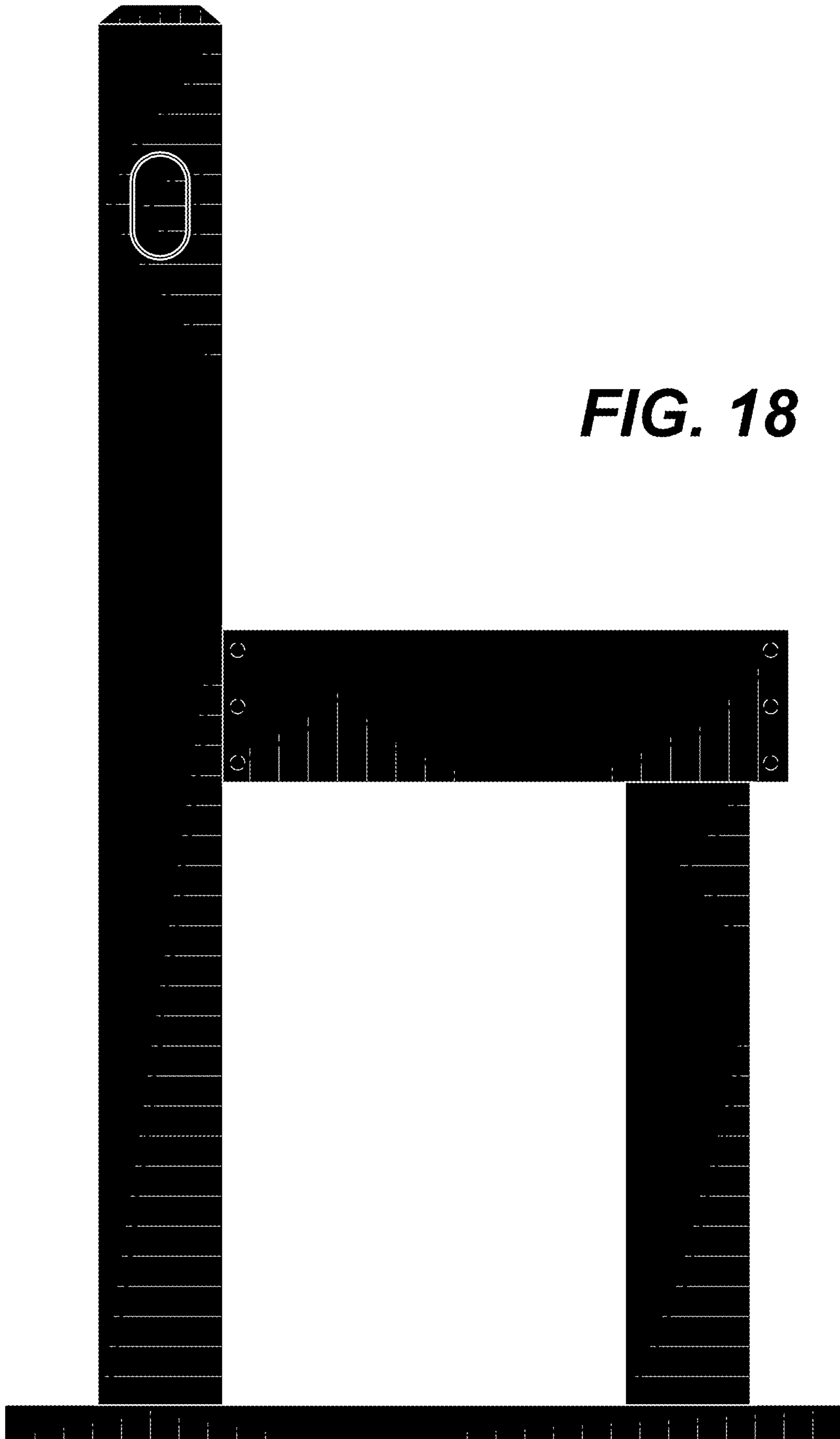
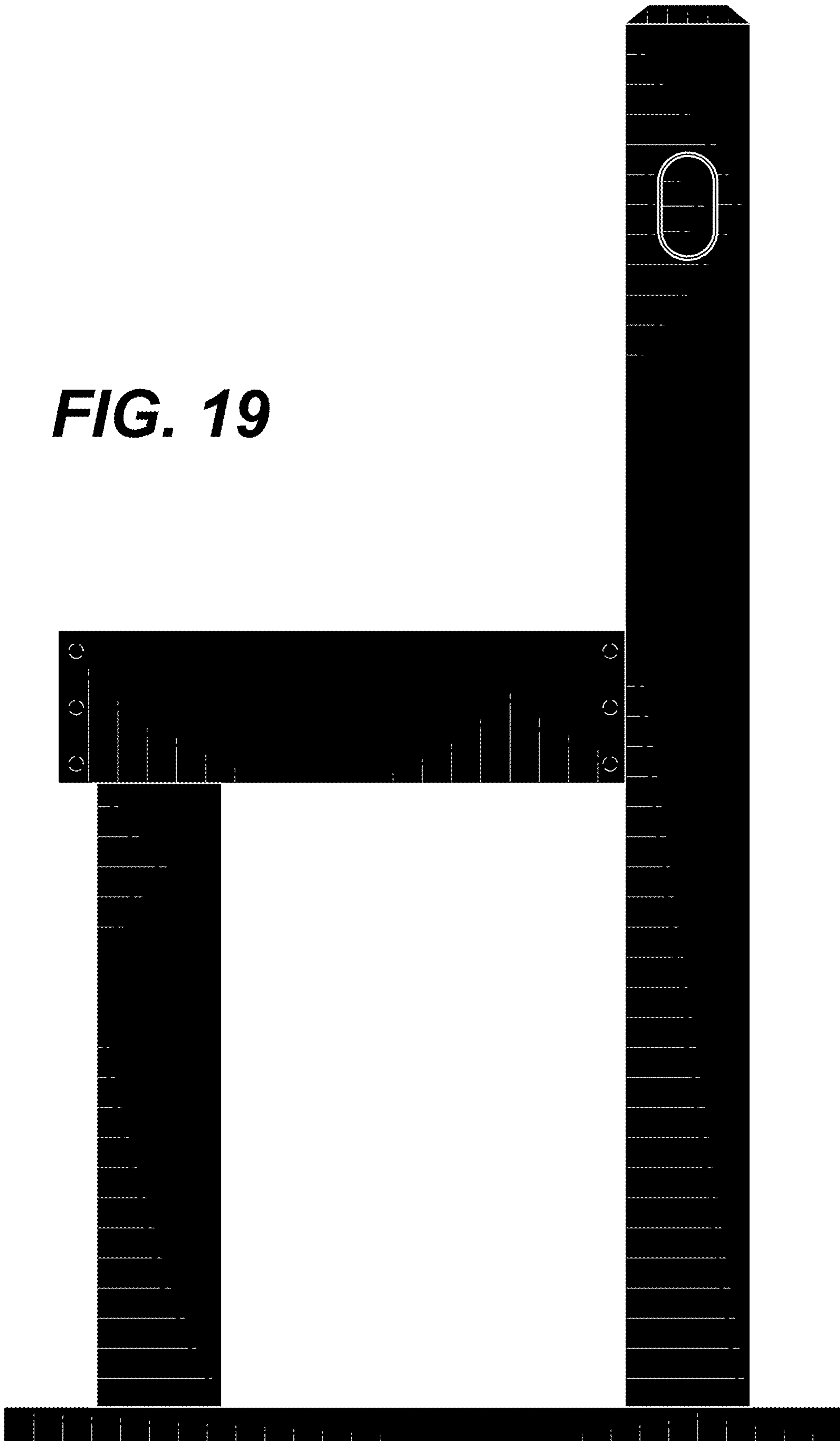


FIG. 18

FIG. 19



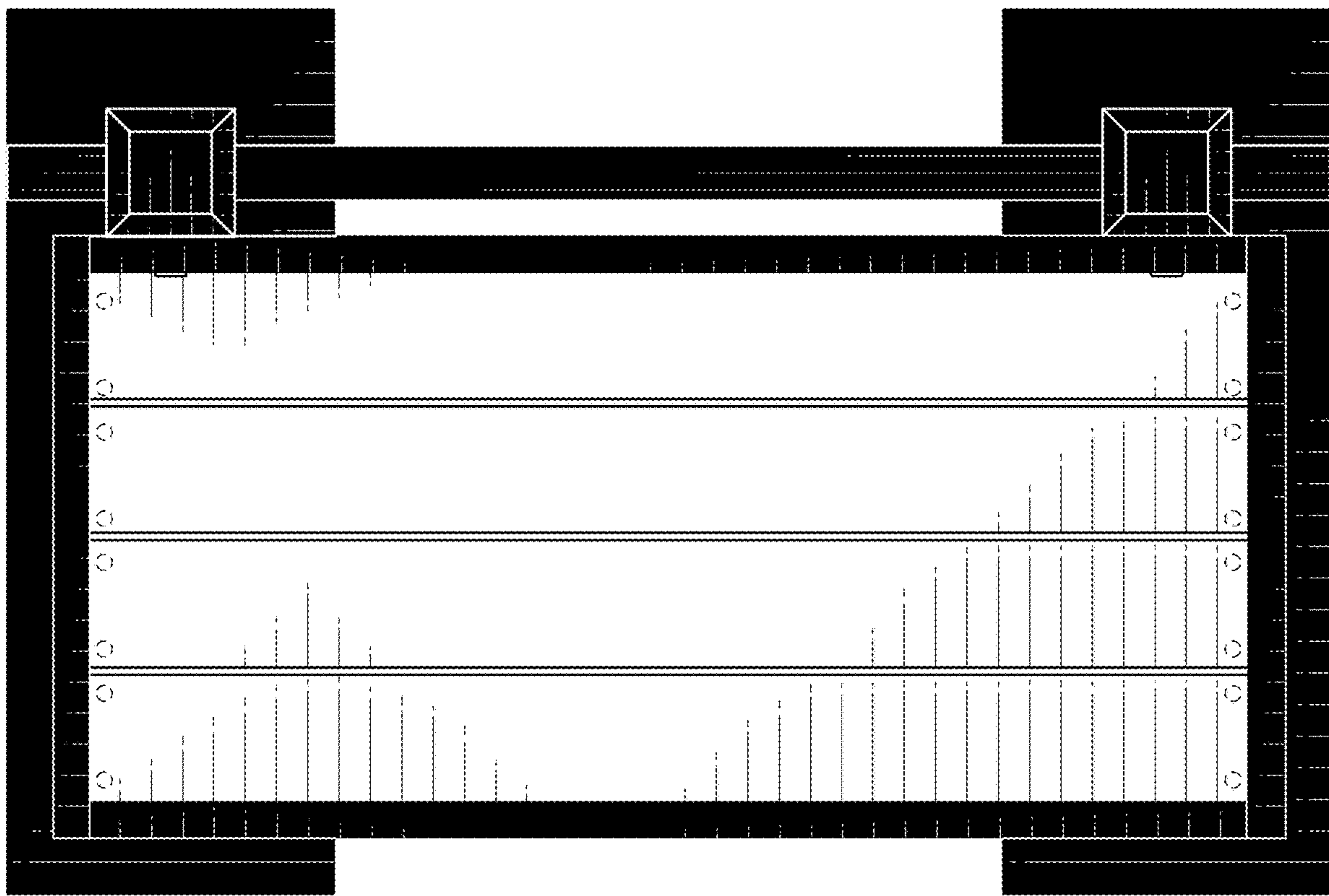


FIG. 20

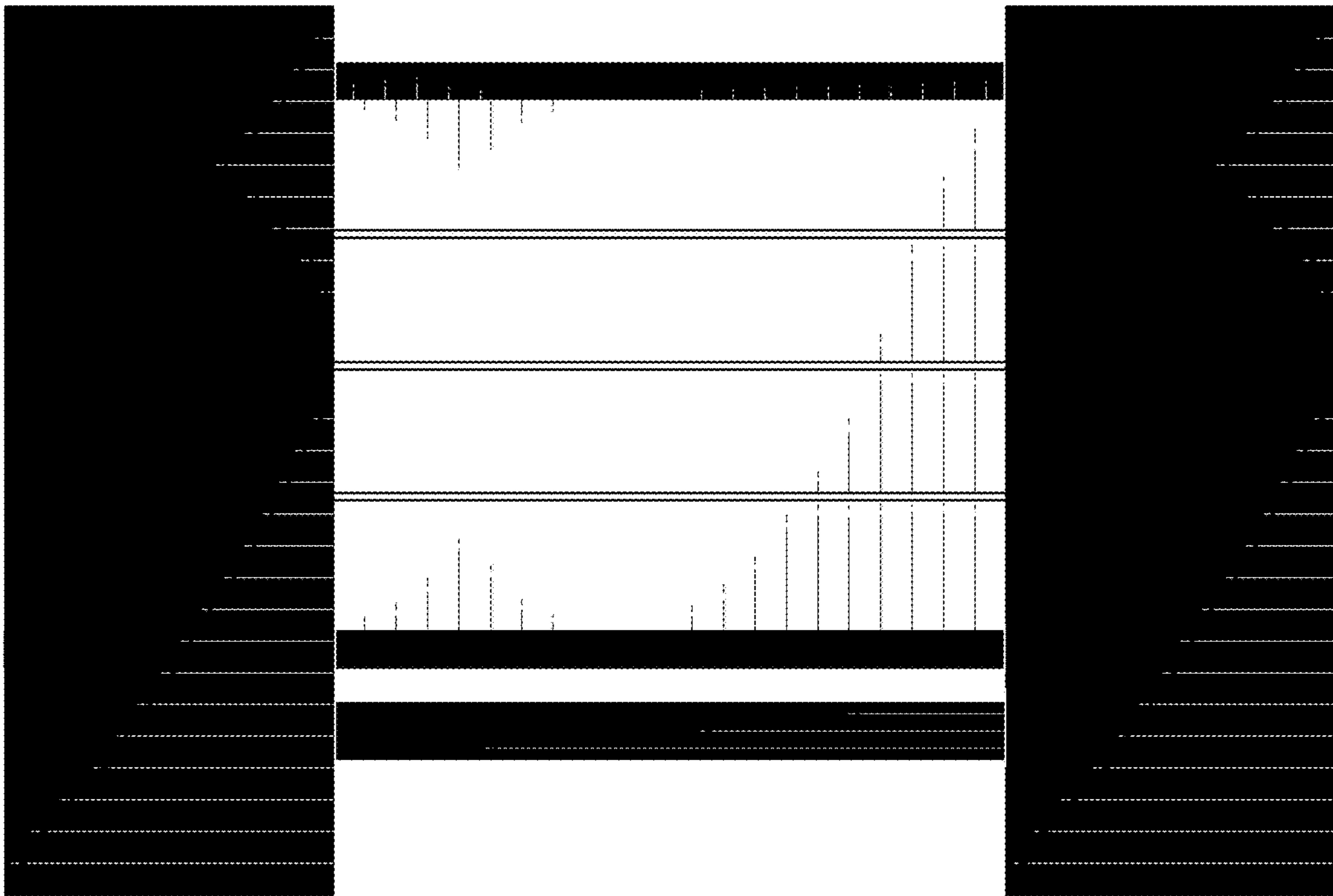


FIG. 21