



US00D945718S

(12) **United States Design Patent**
Guo

(10) **Patent No.:** **US D945,718 S**
(45) **Date of Patent:** **** Mar. 8, 2022**

- (54) **SMALL DOG HARNESS**
- (71) Applicant: **Zeshan Guo**, Gaoyou (CN)
- (72) Inventor: **Zeshan Guo**, Gaoyou (CN)
- (73) Assignee: **GLOBEGOU WZ CO., LTD**, Zhejiang (CN)
- (**) Term: **15 Years**
- (21) Appl. No.: **29/783,305**
- (22) Filed: **May 12, 2021**
- (51) **LOC (13) Cl.** **30-01**
- (52) **U.S. Cl.**
USPC **D30/152**
- (58) **Field of Classification Search**
USPC D30/136, 137, 144, 145, 151, 152;
D24/190; D29/101.1, 101.3, 101.4;
D3/327
CPC A01K 27/002
See application file for complete search history.

(56) **References Cited**

U.S. PATENT DOCUMENTS

- 6,792,894 B1 * 9/2004 Donaldson A01K 27/002
119/792
- 8,418,658 B1 * 4/2013 Remick A01K 27/002
119/792
- D749,800 S * 2/2016 Zimmermann D30/153
- D762,926 S * 8/2016 Ets-Hokin D30/152
- 9,744,937 B1 * 8/2017 Leung A01K 27/001
- D862,803 S 10/2019 Yun
- D865,302 S * 10/2019 Kim D30/152
- D900,413 S * 10/2020 Gonzalez D30/152
- D901,789 S * 11/2020 Yang D30/152
- D907,310 S * 1/2021 Davis D30/152
- D916,396 S * 4/2021 Guo D30/152

- D936,299 S * 11/2021 Wu D30/152
- 2016/0021852 A1 * 1/2016 Goluboff A01K 13/006
119/792
- 2018/0263218 A1 * 9/2018 Renforth A01K 27/005

OTHER PUBLICATIONS

“Rabbitgoo: Small Dog, Step-In Harness”. Found online Dec. 28, 2021 at amazon.com. Reference dated Nov. 29, 2021. Retrieved from <https://www.amazon.com/rabbitgoo-Harness-Adjustable-Straps-Reflective/dp/B098WDBTQ5>.*

“Curli Softshell Plush Vest Harness”. Found online Aug. 1, 2019 at amazon.co.uk. Reference dated May 17, 2013. Retrieved from <https://www.amazon.co.uk/Curli-Plush-Softshell-Harness-brown/dp/B006NEZV9M/>.*

“Pawtitas Mesh Step-In Dog Harness”. Found online Dec. 28, 2021 at amazon.co.uk. Reference dated Aug. 3, 2018. Retrieved from <https://www.amazon.co.uk/PAWTITAS-Reflective-Harness-Comfort-Training/dp/B07FY8PBS9/>.*

“Gooby Jersey Harness”. Found online Feb. 1, 2017 at amazon.com. Reference dated Mar. 22, 2013. Retrieved from <https://www.amazon.com/Gooby-Jersey-Harness-Small-Red/dp/B007W0HVD0/?th=1>.*

* cited by examiner

Primary Examiner — Kendra Leslie Hamilton
(74) *Attorney, Agent, or Firm* — Justin Lampel

(57) **CLAIM**

The ornamental design for a small dog harness, as shown and described.

DESCRIPTION

FIG. 1 is a perspective view of a small dog harness showing the claimed design;

FIG. 2 is a top plan view thereof;

FIG. 3 is a left side view thereof;

FIG. 4 is a front elevational view thereof;

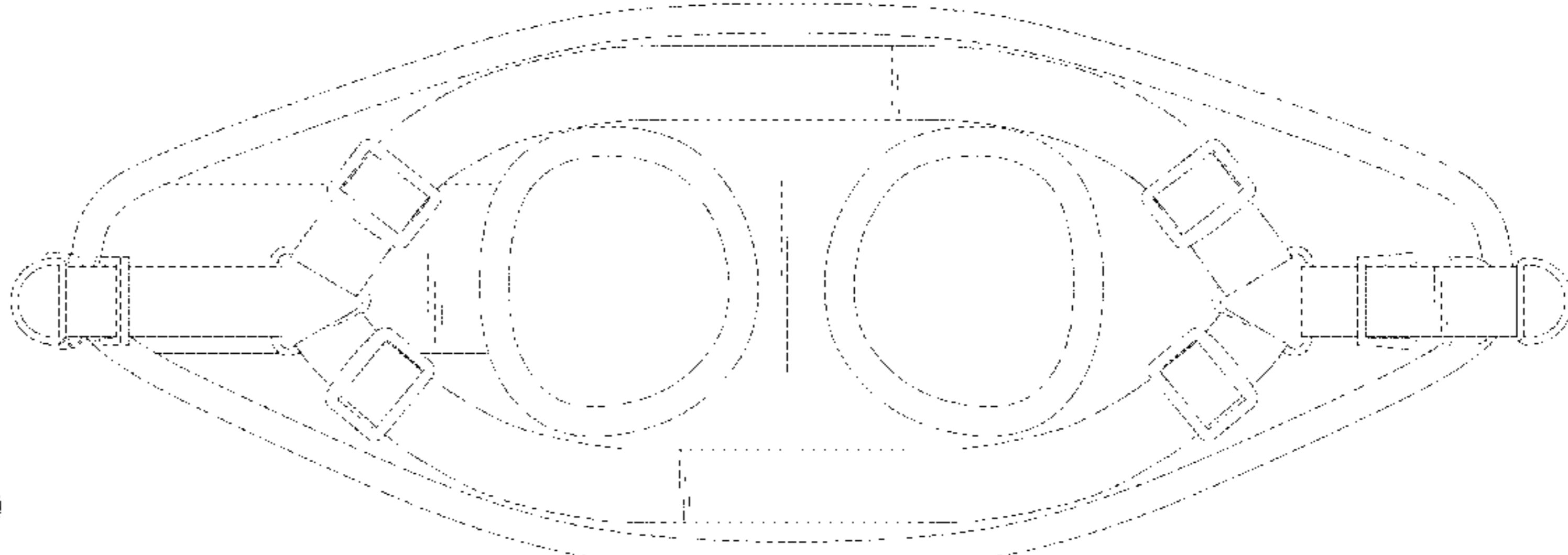
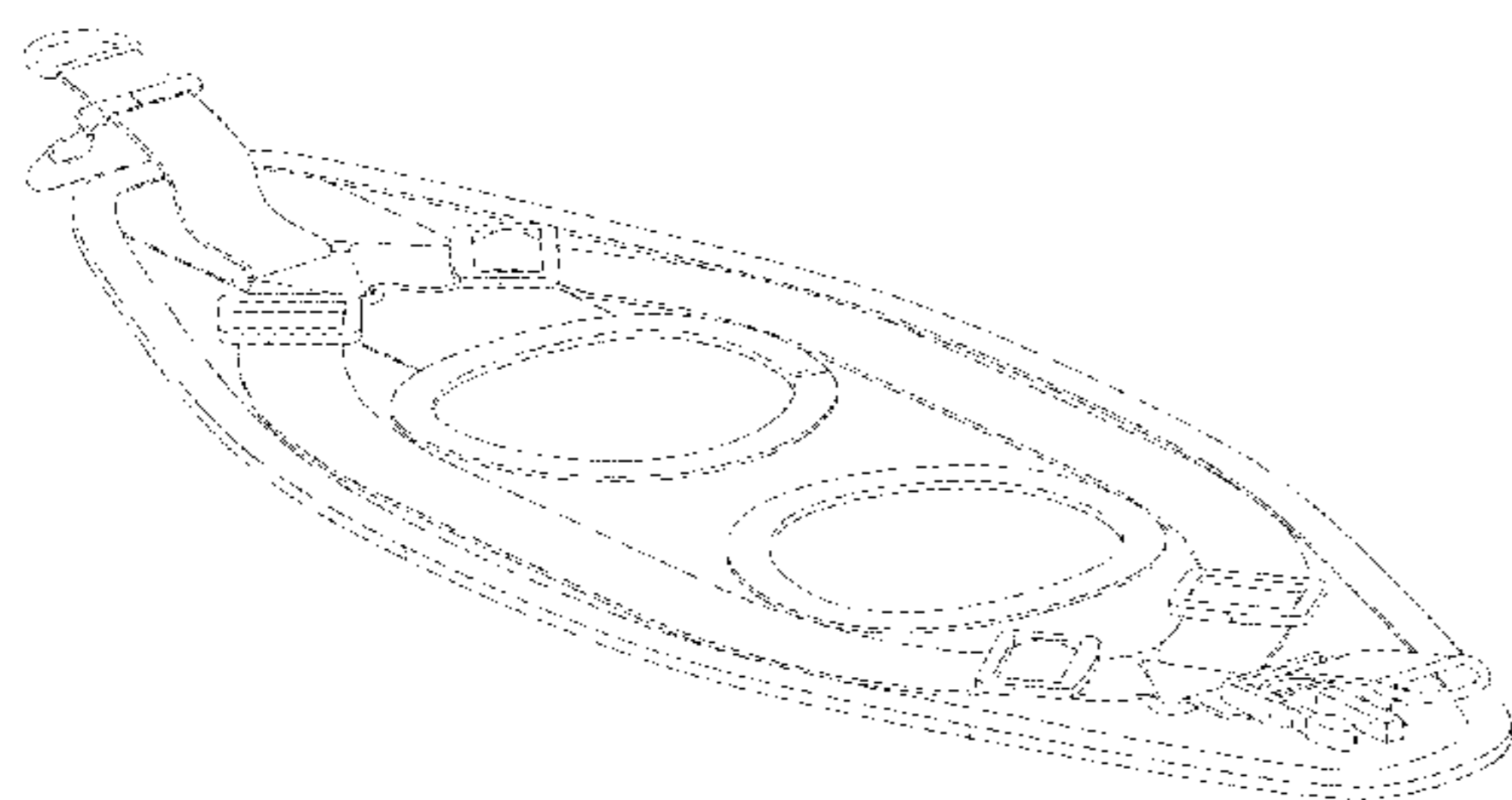
FIG. 5 is a right side view thereof;

FIG. 6 is a rear elevational view thereof; and,

FIG. 7 is a bottom plan view thereof.

The broken lines illustrate portions of the small dog harness that form no part of the claimed design.

1 Claim, 7 Drawing Sheets



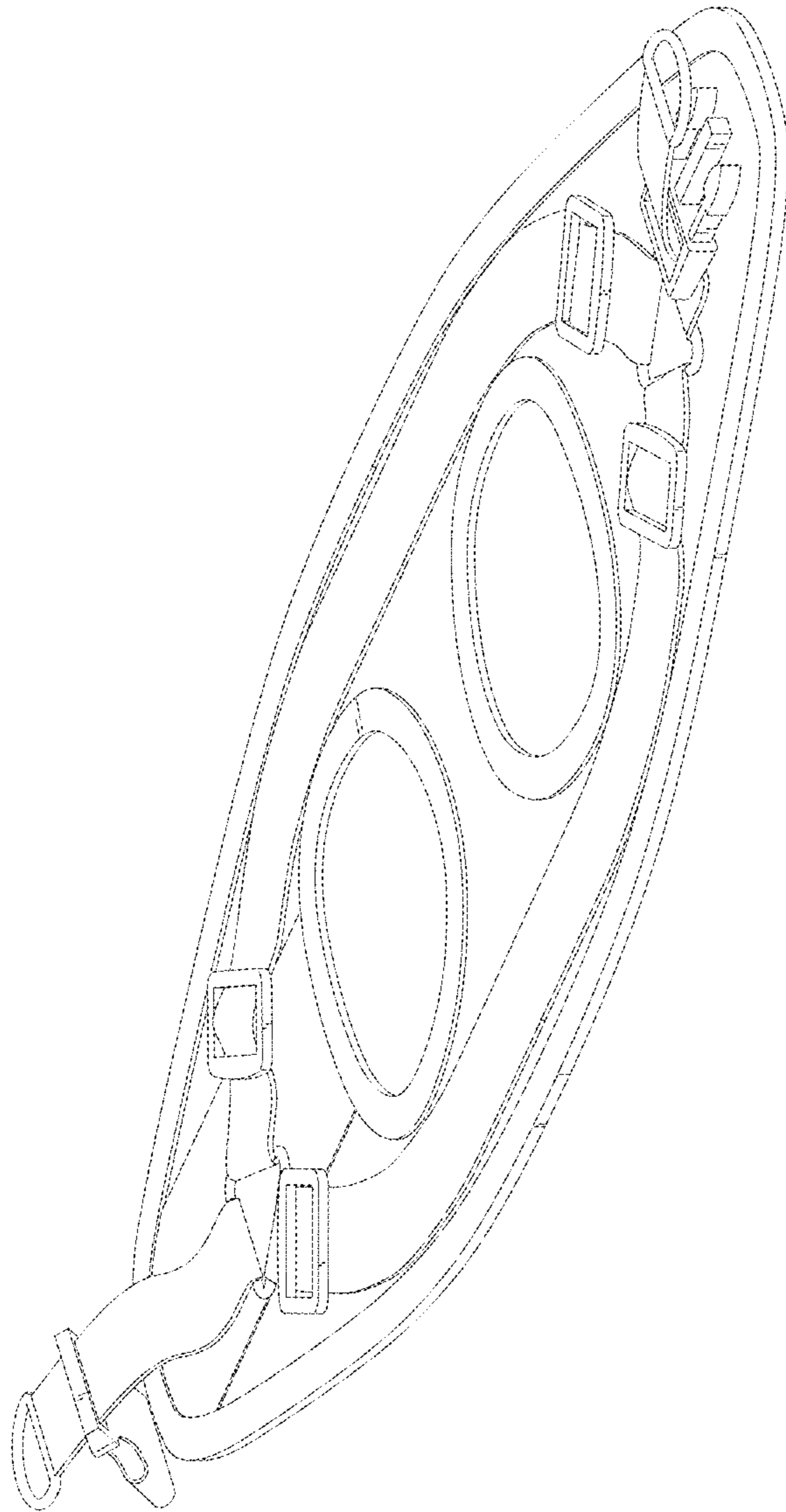


FIG. 1

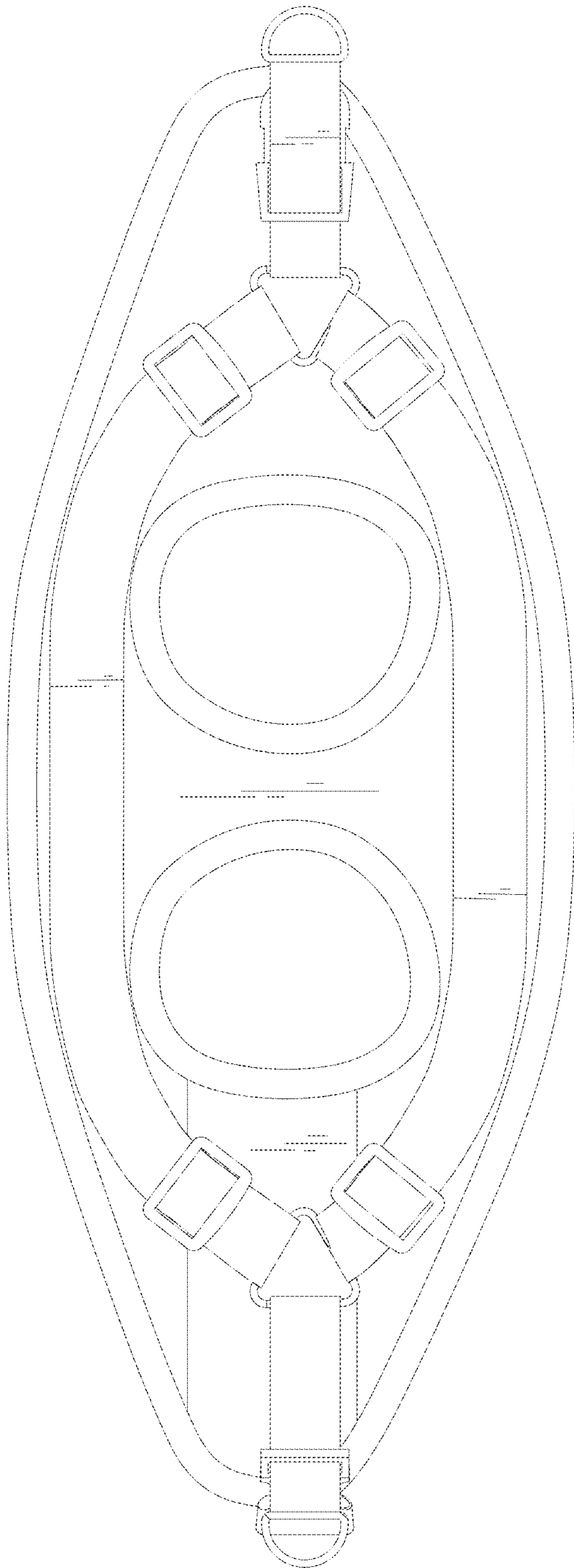


FIG. 2

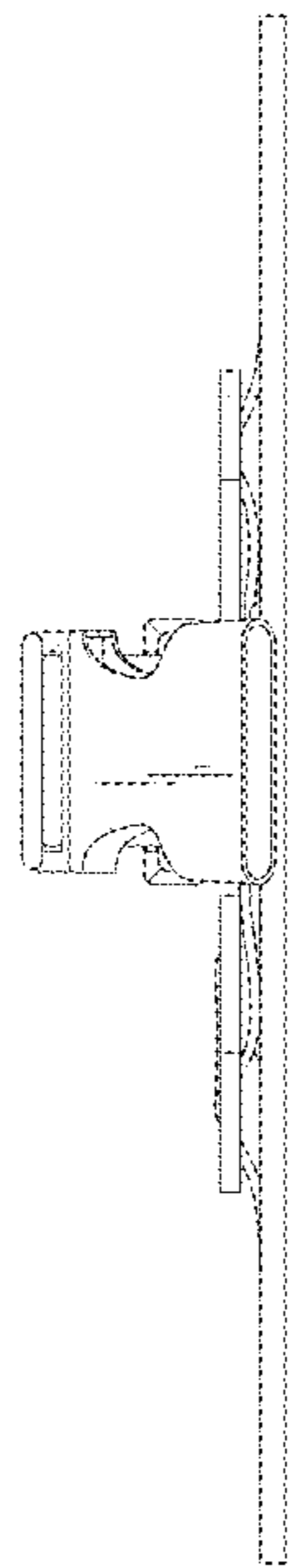


FIG. 3

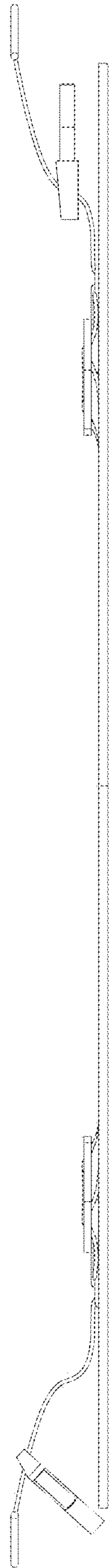


FIG. 4

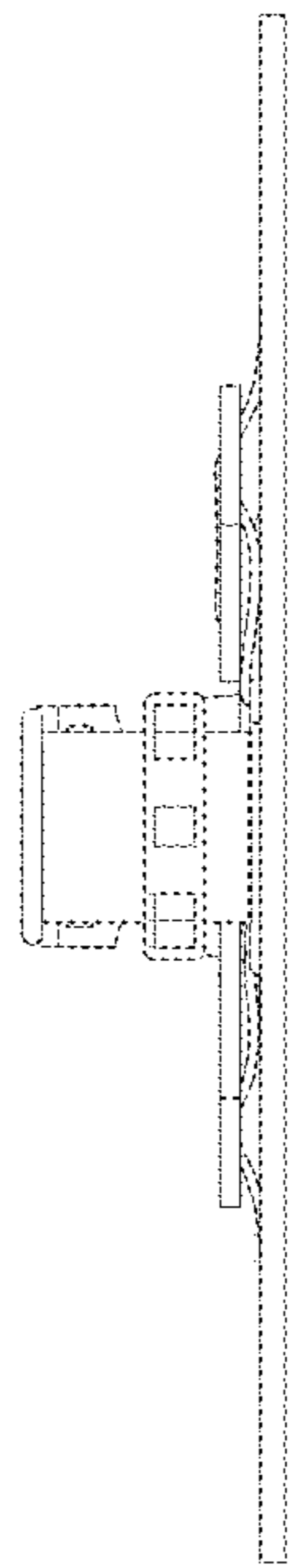


FIG. 5

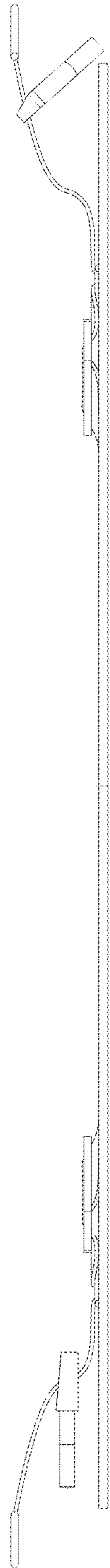


FIG. 6

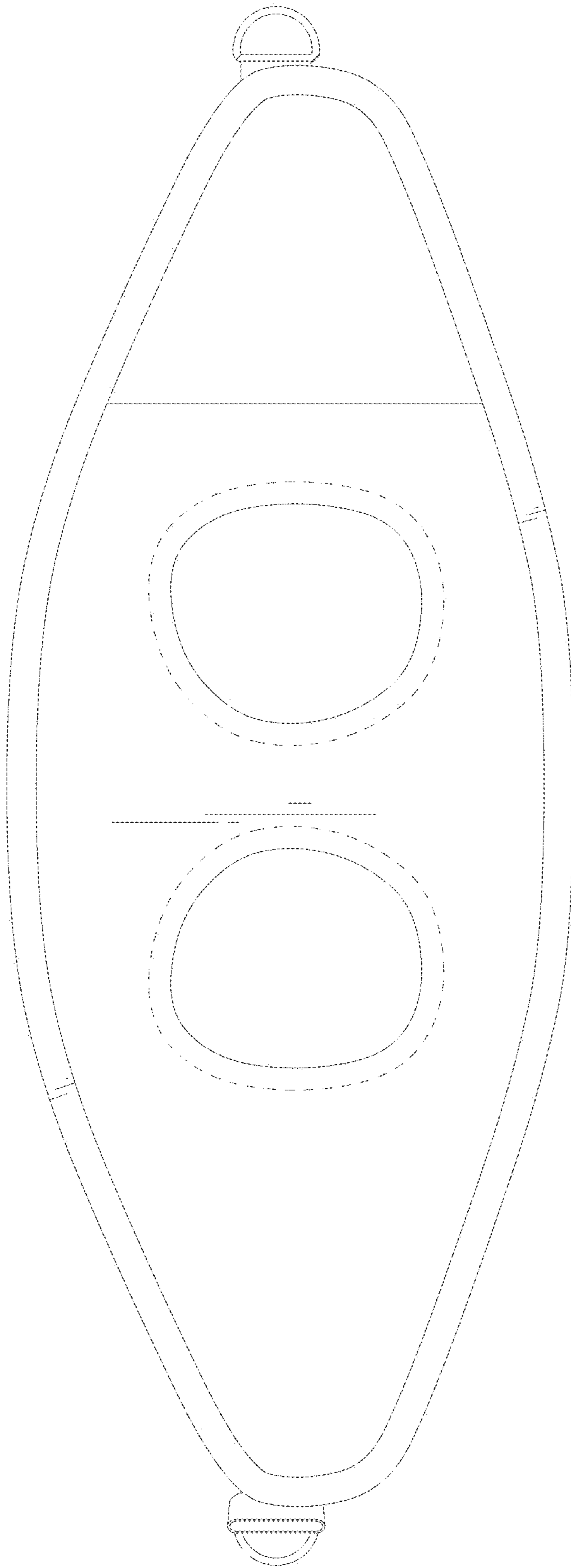


FIG. 7