



US00D945715S

(12) **United States Design Patent**
Wang

(10) **Patent No.:** **US D945,715 S**
(45) **Date of Patent:** **** Mar. 8, 2022**

- (54) **PET WATER FOUNTAIN**
- (71) Applicant: **SHENZHEN LIYI99.COM, LTD.**,
Shenzhen (CN)
- (72) Inventor: **Xuzhong Wang**, Shenzhen (CN)
- (73) Assignee: **SHENZHEN LIYI99.COM, LTD.**,
Shenzhen (CN)

| | | | | |
|--------------|--------|--------|-------|---------|
| D850,731 S * | 6/2019 | Wu | | D30/132 |
| D894,500 S * | 8/2020 | Cui | | D30/132 |
| D912,333 S * | 3/2021 | Wang | | D30/132 |
| D914,300 S * | 3/2021 | Wu | | D30/132 |
| D918,491 S * | 5/2021 | Milsom | | D30/132 |
| D927,798 S * | 8/2021 | Tao | | D30/132 |

(**) Term: **15 Years**

(21) Appl. No.: **29/652,829**

(22) Filed: **Dec. 10, 2020**

(30) **Foreign Application Priority Data**

Jun. 12, 2020 (CN) 202030298385.0
 Jun. 12, 2020 (CN) 202030298392.0

(51) **LOC (13) Cl.** **30-03**

(52) **U.S. Cl.**
USPC **D30/132**

(58) **Field of Classification Search**
 USPC D23/202, 207, 209, 213, 222, 225,
 D23/255-256, 272-273; D30/121-133;
 D8/300-301, 307, 310, 321
 CPC .. A01K 5/0114; A01K 5/0121; A01K 5/0135;
 A01K 7/005; A01K 7/00; A01K 39/02;
 F04B 23/00; F04B 23/02; Y10T
 137/86035; Y10T 137/8376
 See application file for complete search history.

(56) **References Cited**

U.S. PATENT DOCUMENTS

| | | | | |
|--------------|---------|----------|-------|---------|
| D559,472 S * | 1/2008 | Abinanti | | D30/129 |
| D681,888 S * | 5/2013 | Fang | | D30/132 |
| D738,579 S * | 9/2015 | Owens | | D30/132 |
| D820,533 S * | 6/2018 | Huang | | D30/132 |
| D834,367 S * | 11/2018 | Tsai | | D7/392 |
| D849,336 S * | 5/2019 | Huang | | D30/132 |
| D849,337 S * | 5/2019 | Huang | | D30/132 |

FOREIGN PATENT DOCUMENTS

JP D1693078 * 11/2020

OTHER PUBLICATIONS

Loomla Cat Water Fountain Jan. 31, 2021 found on Oct. 13, 2021 at: <https://www.amazon.com/Loomla-Automatic-Switchable-Replacement-VC1471/dp/B08VJ53GTT/> (Year: 2021).
 Veken Pet Fountain Nov. 12, 2020 found on Sep. 30, 2021 at: <https://www.amazon.com/dp/B08NC54VZN/> (Year: 2020).*

* cited by examiner

Primary Examiner — Karen S Acker

Assistant Examiner — Jonathan E Fiencke

(74) *Attorney, Agent, or Firm* — Marshall, Gerstein & Borun LLP

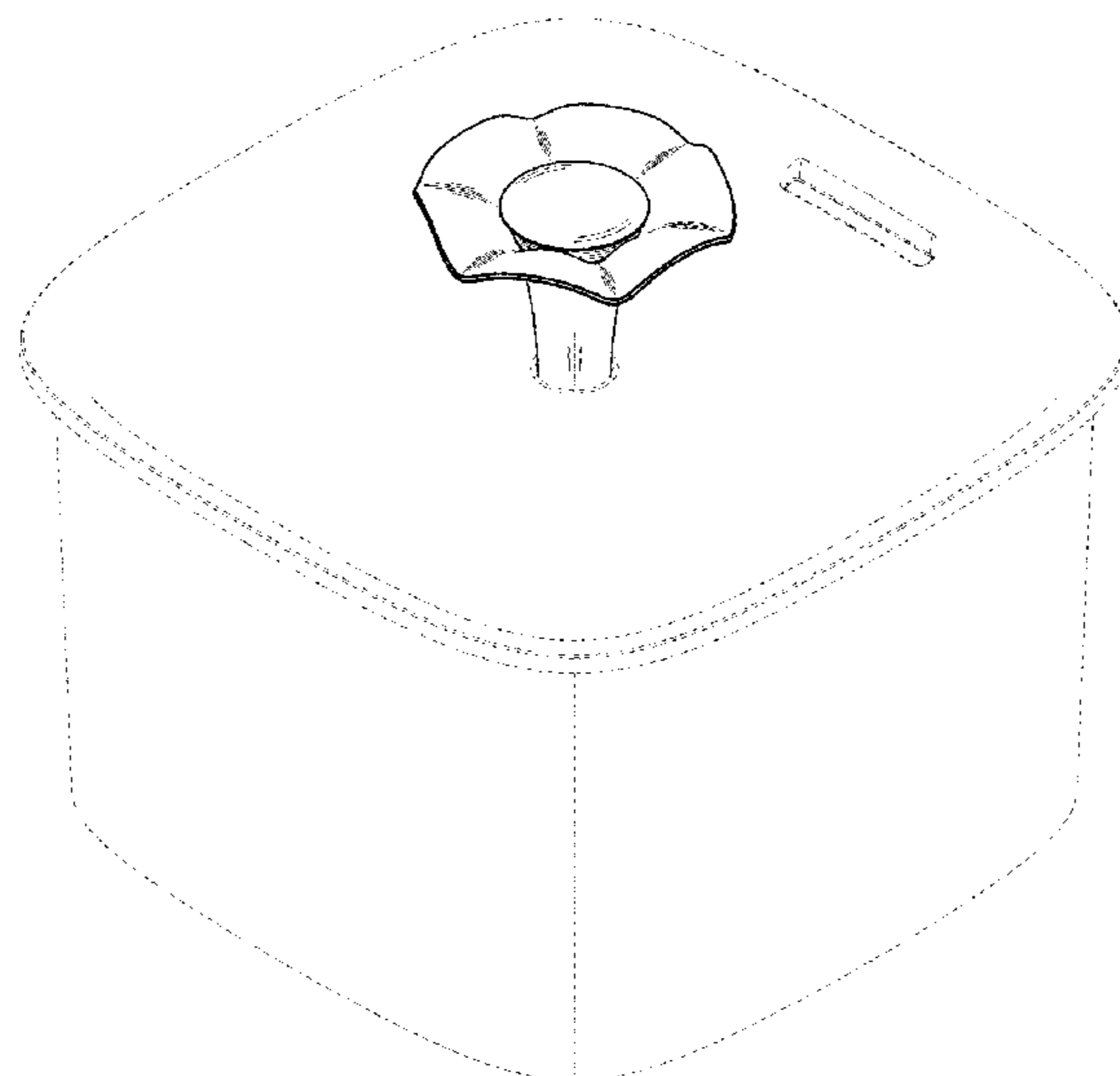
(57) **CLAIM**

The ornamental design for a pet water fountain, as shown and described.

DESCRIPTION

FIG. 1 is a perspective view of a pet water fountain, showing our new design;
 FIG. 2 is a front view thereof;
 FIG. 3 is a rear view thereof;
 FIG. 4 is a left side view thereof, the right side view is the same;
 FIG. 5 is a top view thereof; and,
 FIG. 6 is a bottom view thereof.
 The broken lines depict portions of the pet water fountain that form no part of the claimed design.

1 Claim, 6 Drawing Sheets



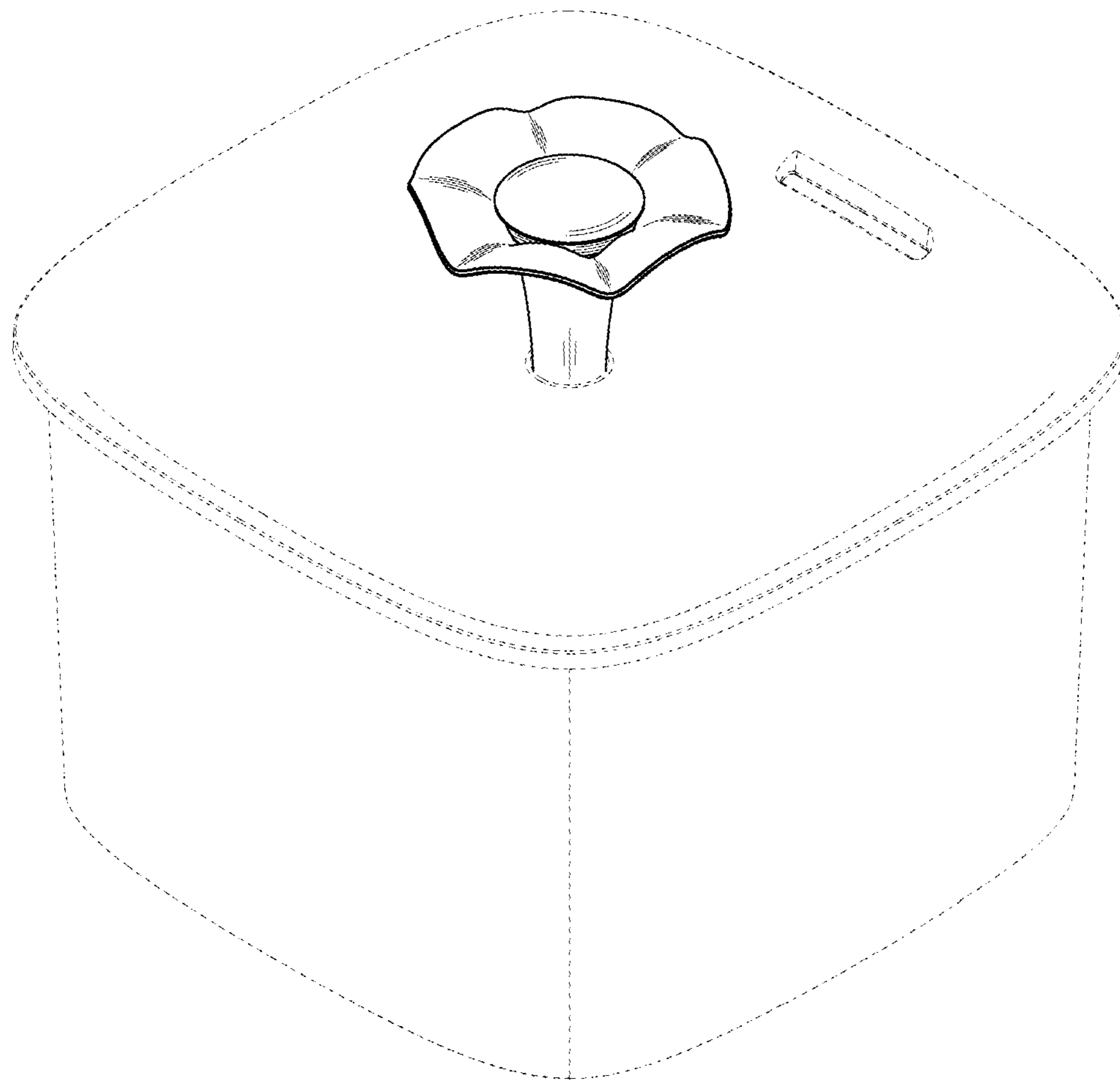


FIG. 1

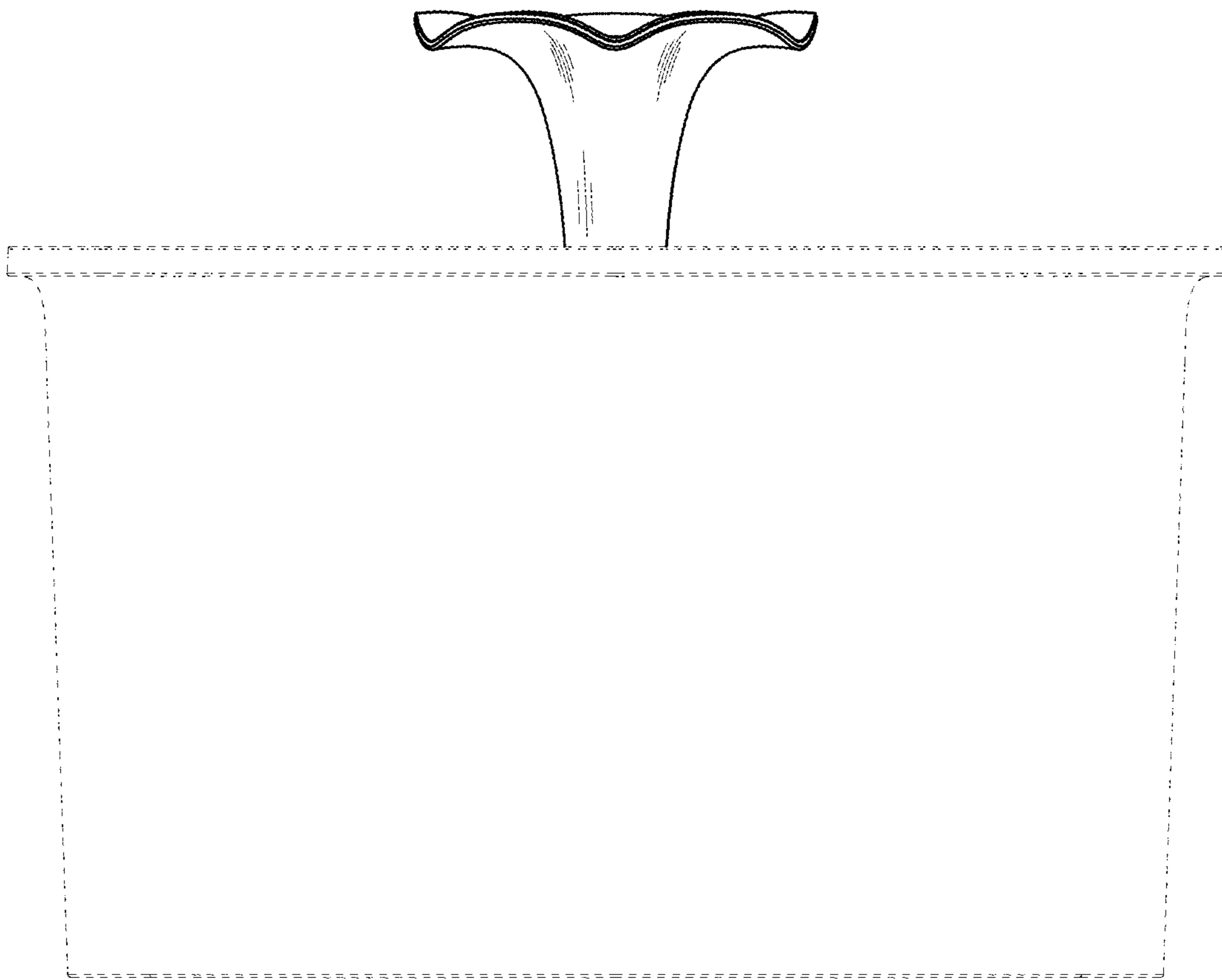


FIG. 2

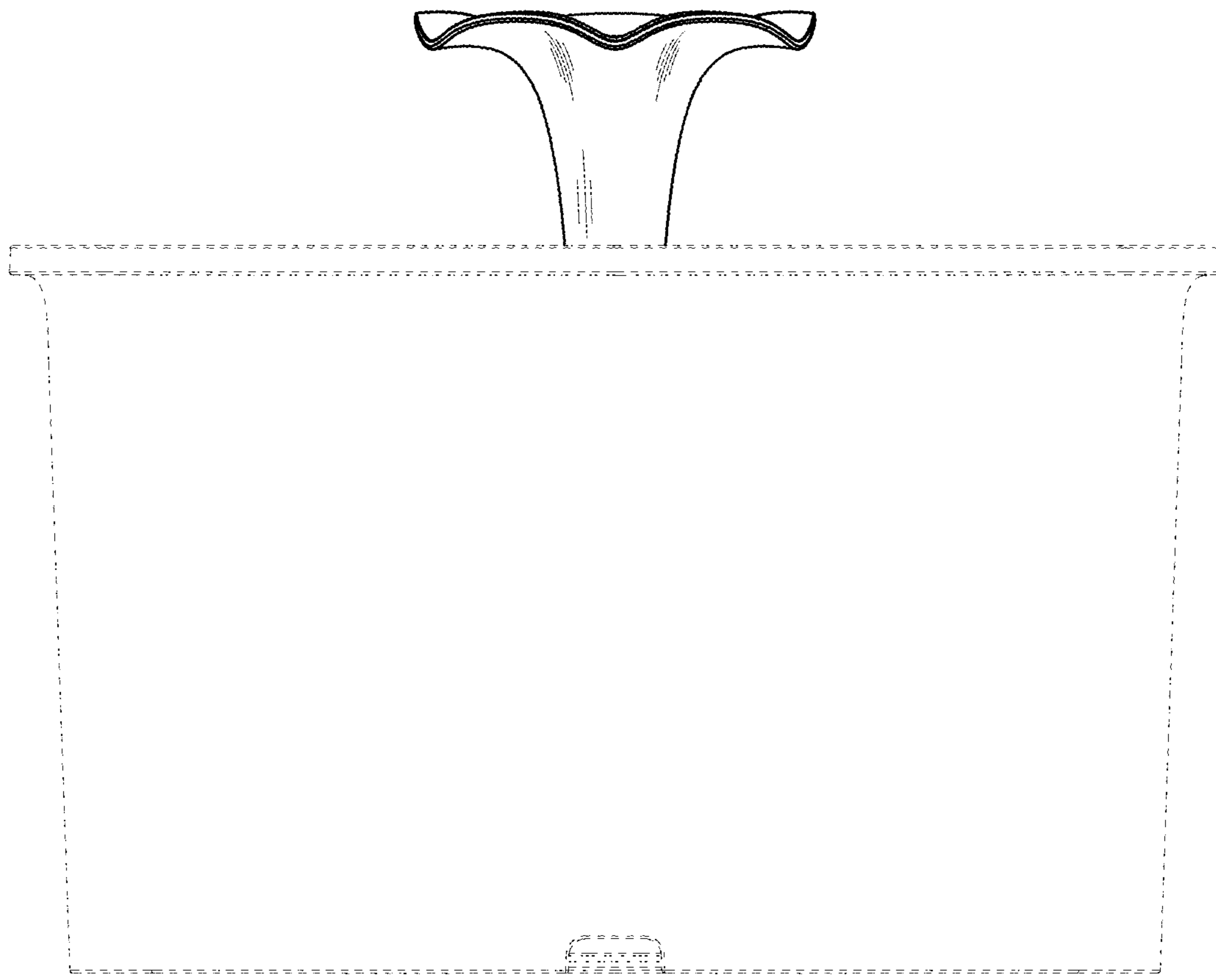


FIG. 3

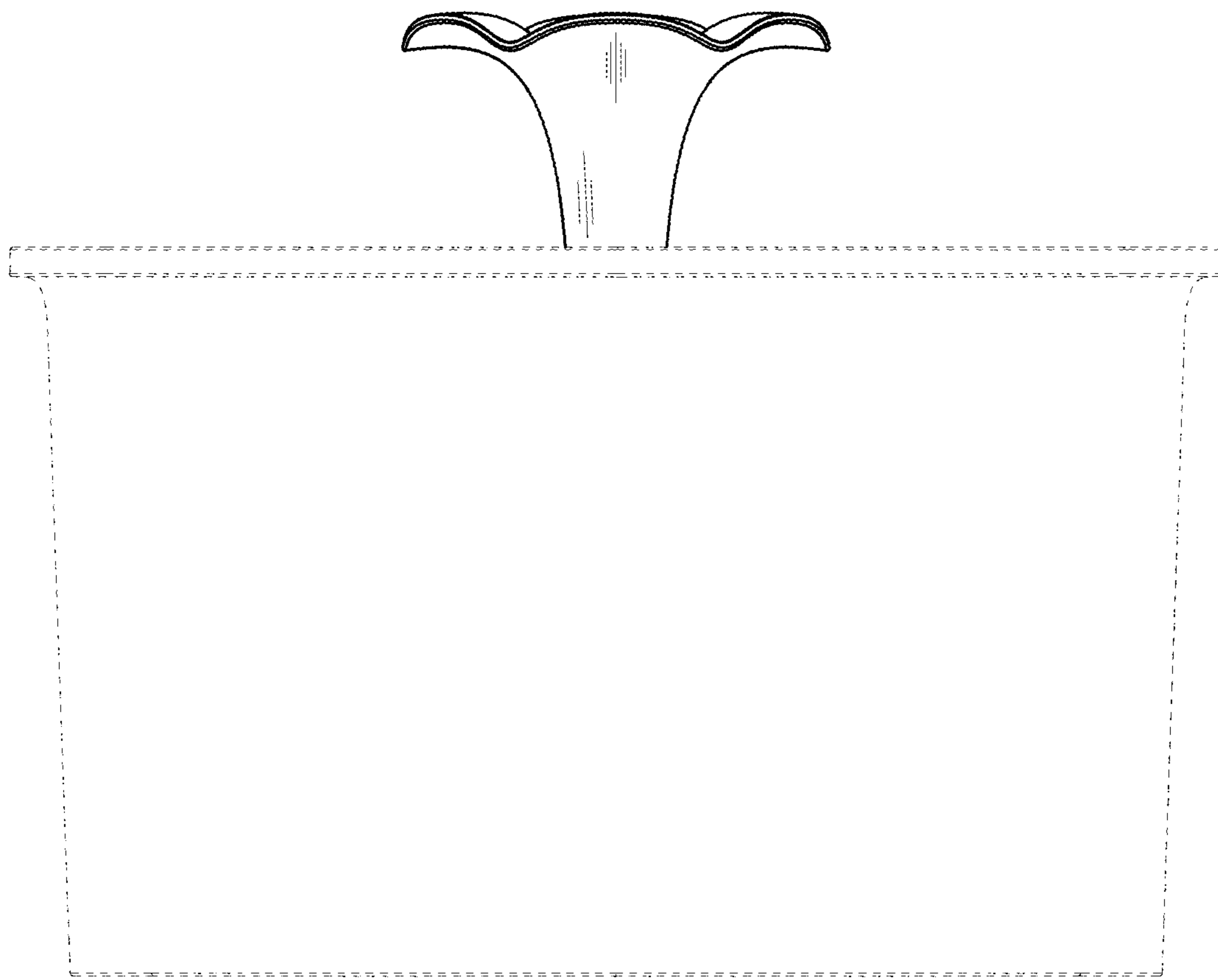


FIG. 4

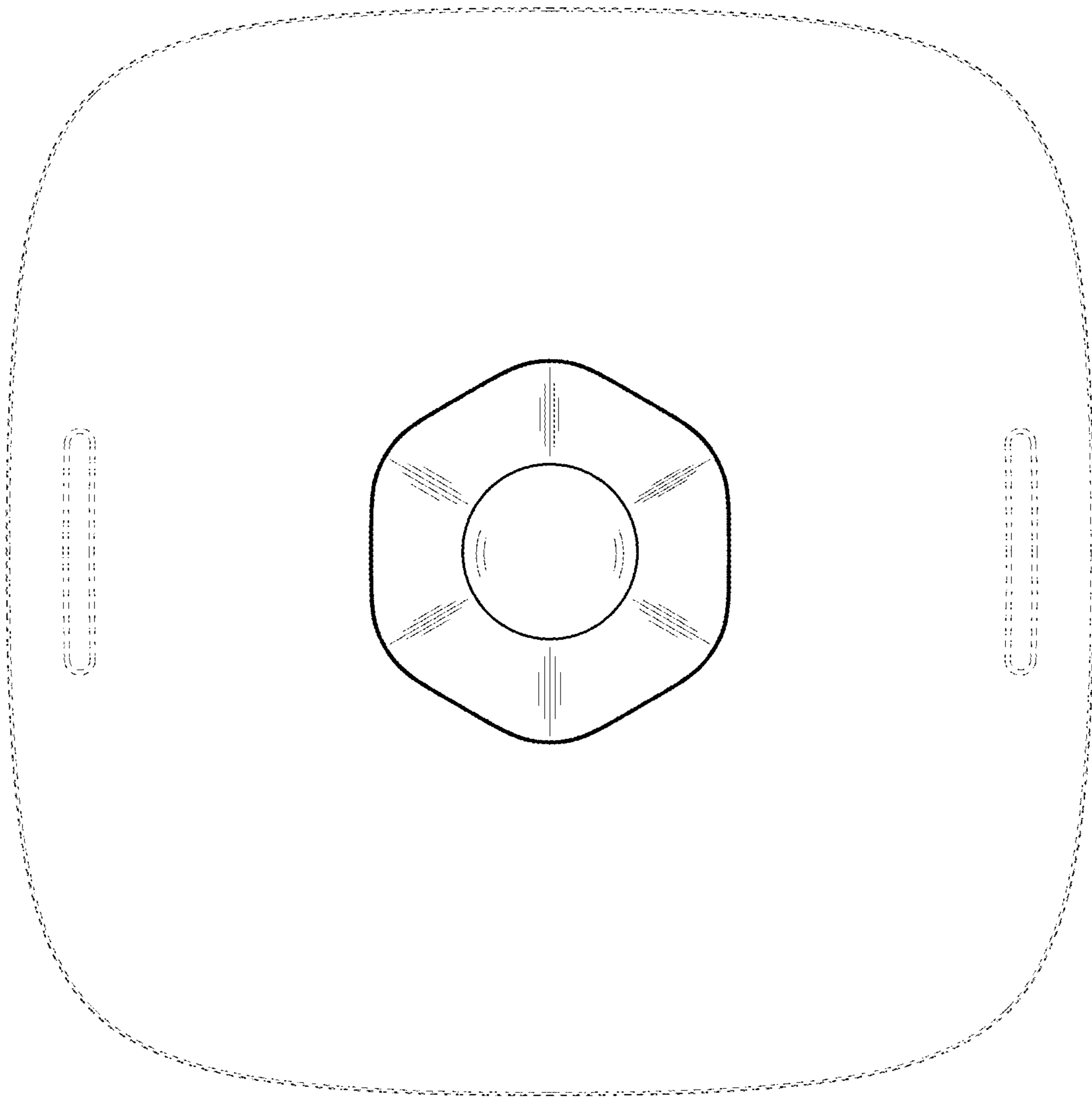


FIG. 5

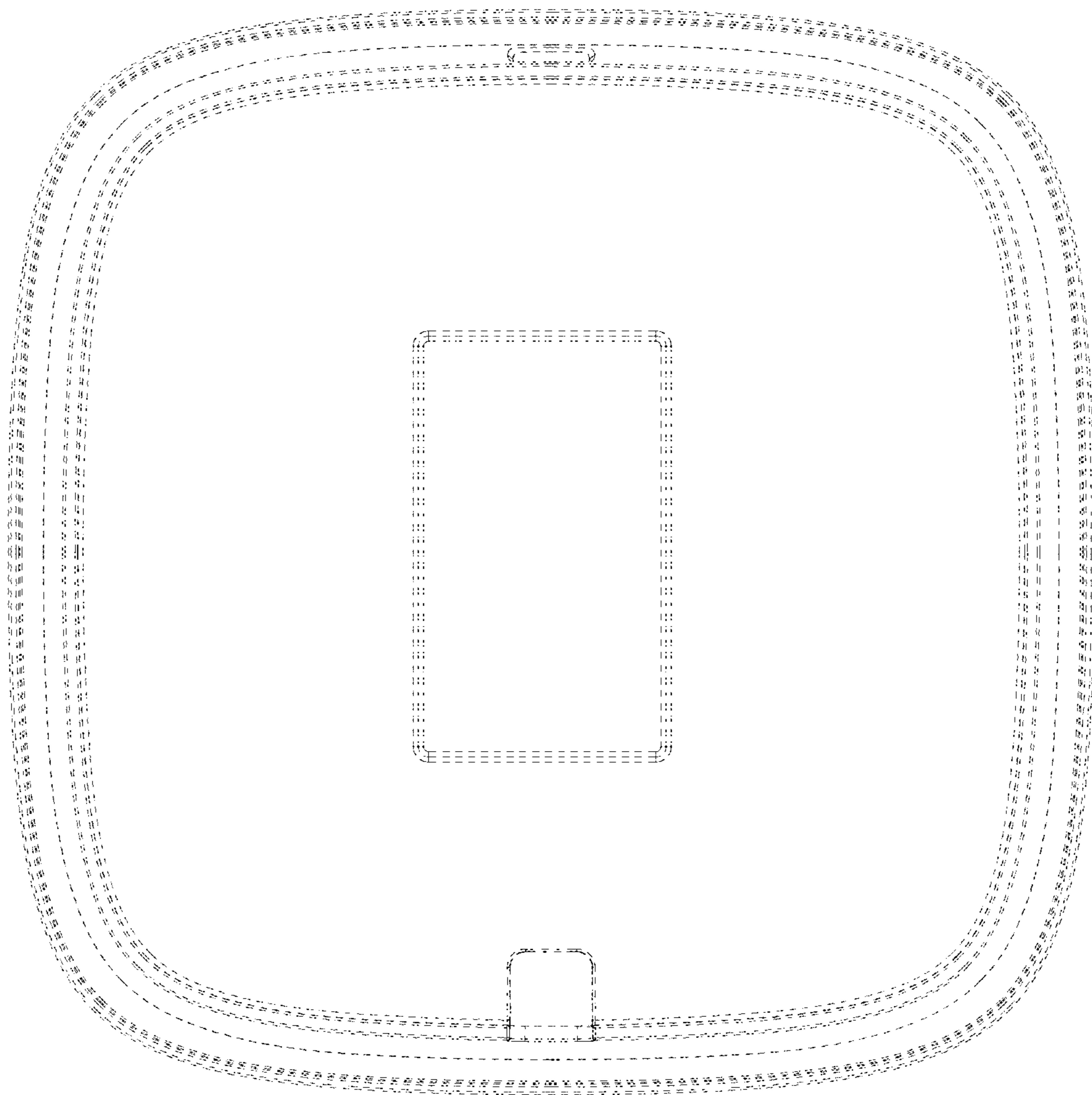


FIG. 6