



US00D945711S

(12) **United States Design Patent**  
**Mihlbauer et al.**

(10) **Patent No.:** **US D945,711 S**  
(45) **Date of Patent:** **\*\* Mar. 8, 2022**

- (54) **RETRACTABLE AQUARIUM SPOUT**
- (71) Applicant: **Central Garden & Pet Company**,  
Walnut Creek, CA (US)
- (72) Inventors: **Brad L. Mihlbauer**, Mukwonago, WI  
(US); **Ernie Katris**, Franklin, WI (US)
- (73) Assignee: **Central Garden & Pet Company**,  
Walnut Creek, CA (US)
- (\*\*) Term: **15 Years**
- (21) Appl. No.: **29/733,648**
- (22) Filed: **May 5, 2020**
- (51) **LOC (13) Cl.** ..... **30-02**
- (52) **U.S. Cl.**  
USPC ..... **D30/107**
- (58) **Field of Classification Search**  
USPC ..... D30/101-107; D23/210  
CPC .... A01K 63/003; A01K 63/006; A01K 63/04;  
A01K 63/042; A01K 63/045; A01K  
63/047  
See application file for complete search history.

(56) **References Cited**

**U.S. PATENT DOCUMENTS**

3,857,366	A *	12/1974	Willinger	.....	A01K 63/006
					D30/107
D291,735	S *	9/1987	Billups	.....	D30/102
D317,369	S *	6/1991	Tominaga	.....	D30/107
D321,552	S *	11/1991	Del Rosario	.....	D23/210
5,713,304	A *	2/1998	de Vosjoli	.....	A01K 63/003
					119/266
5,965,016	A *	10/1999	Suchowski	.....	A01K 63/045
					210/167.22
5,983,411	A *	11/1999	Demoret	.....	A01K 63/003
					4/353
6,029,604	A *	2/2000	de Vosjoli	.....	A01K 63/003
					119/246

7,044,081	B1 *	5/2006	Bridges	.....	A01K 63/003
					119/246
7,544,290	B2 *	6/2009	Pulice	.....	A01K 63/003
					119/259
8,251,017	B2 *	8/2012	Ridgway	.....	A01K 63/003
					119/452
10,813,345	B2 *	10/2020	Lutz	.....	A01K 63/06
2007/0138075	A1 *	6/2007	Chang	.....	A01K 63/045
					210/167.22
2018/0139936	A1 *	5/2018	Lutz	.....	A01K 63/10

\* cited by examiner

*Primary Examiner* — Wan Laymon

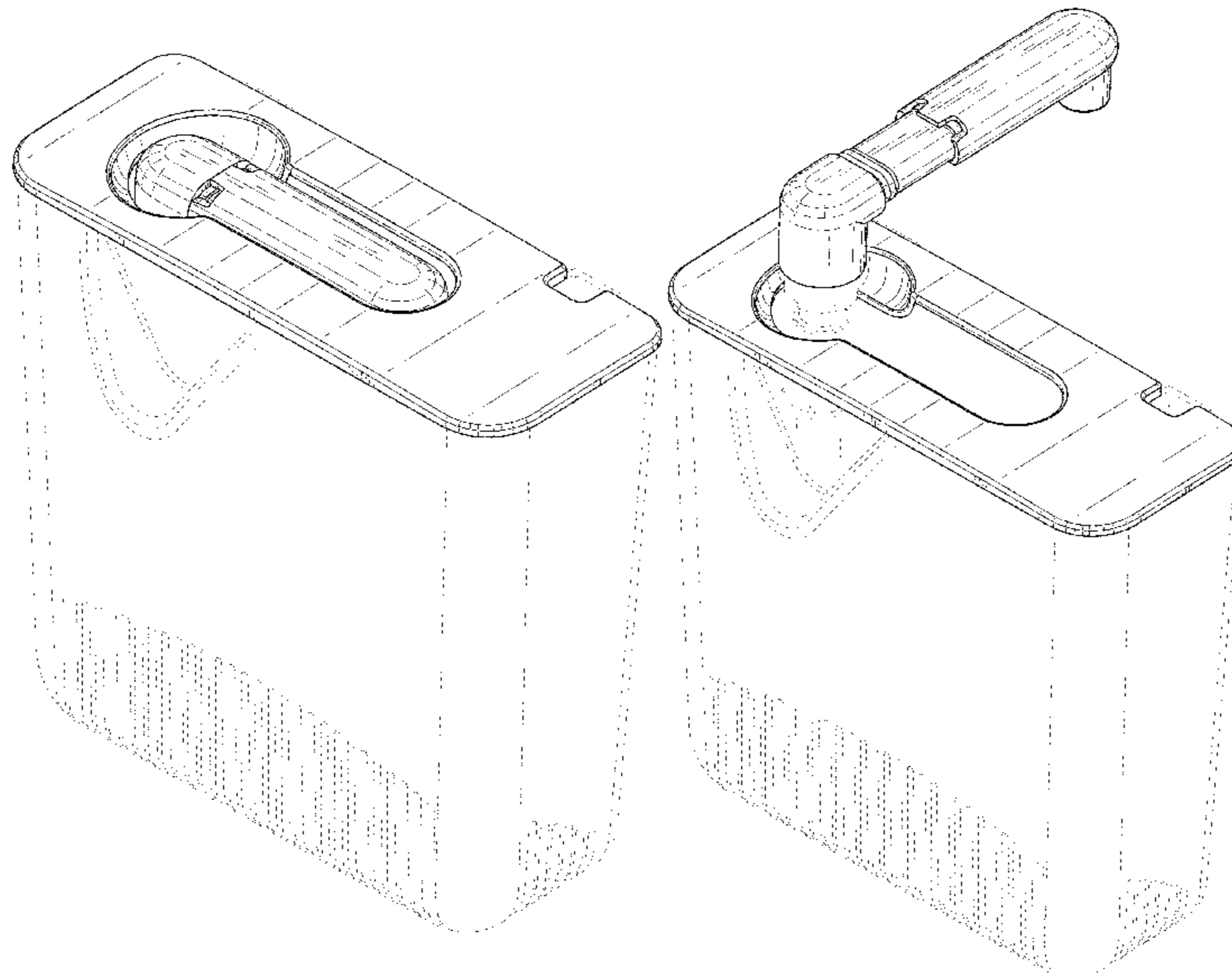
(57) **CLAIM**

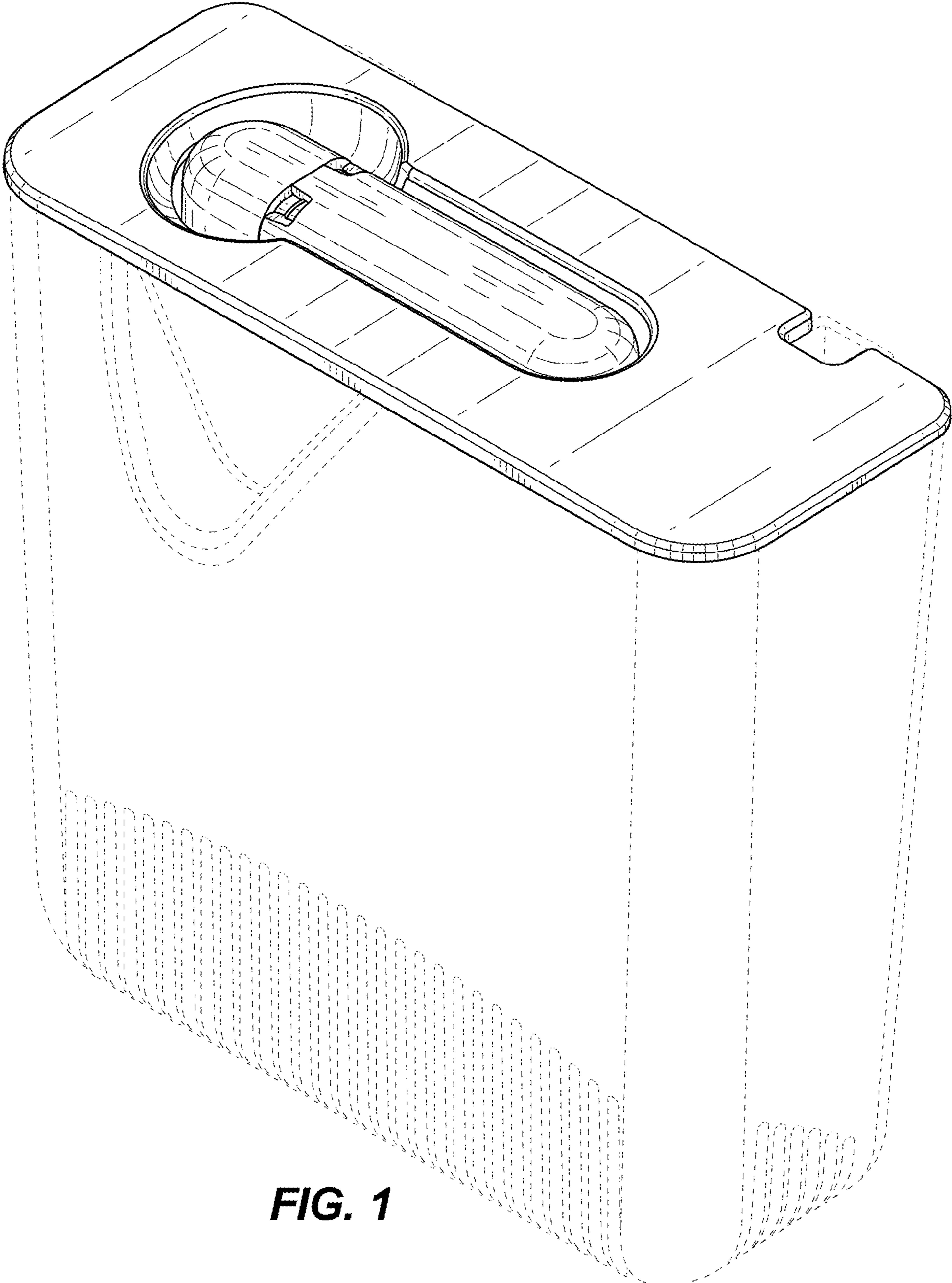
We claim the ornamental design of a retractable aquarium spout, as shown and described.

**DESCRIPTION**

FIG. 1 is a perspective view of a retractable aquarium spout in a fully retracted and on position embodying the invention. FIG. 2 is a front view of the retractable aquarium spout of FIG. 1. FIG. 3 is a rear view of the retractable aquarium spout of FIG. 1. FIG. 4 is a first side view of the retractable aquarium spout of FIG. 1. FIG. 5 is a second side view of the retractable aquarium spout of FIG. 1. FIG. 6 is a top view of the retractable aquarium spout of FIG. 1. FIG. 7 is a bottom view of the retractable aquarium spout of FIG. 1; and, FIG. 8 is a perspective view of the retractable aquarium spout in a fully extended and on position. The retractable aquarium spout being transitionable between the arrangement of FIGS. 1 and 8. The broken lines shown in the drawings are for the purpose of illustrating portions of the retractable aquarium spout and form no part of the claimed design.

**1 Claim, 6 Drawing Sheets**

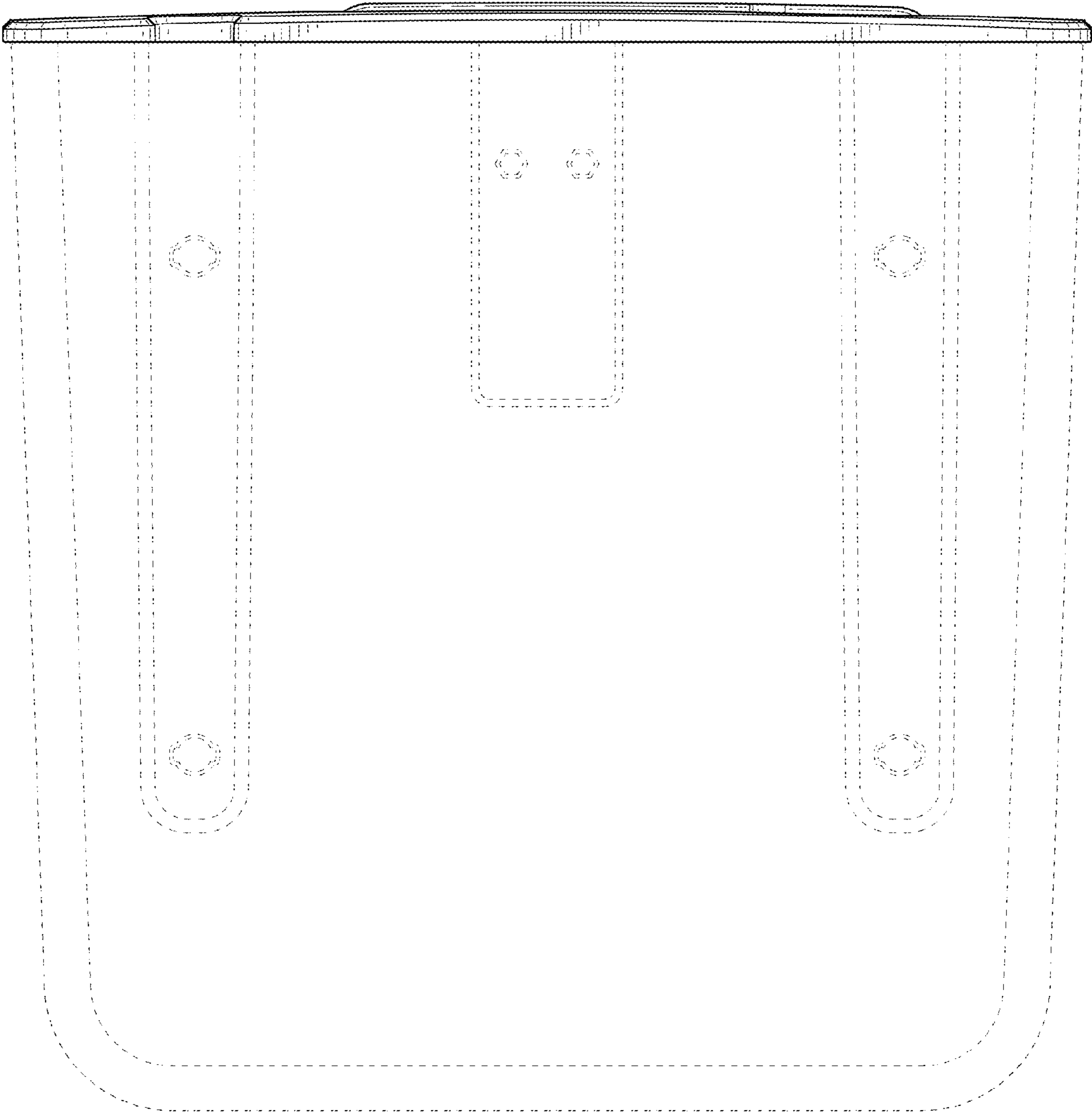




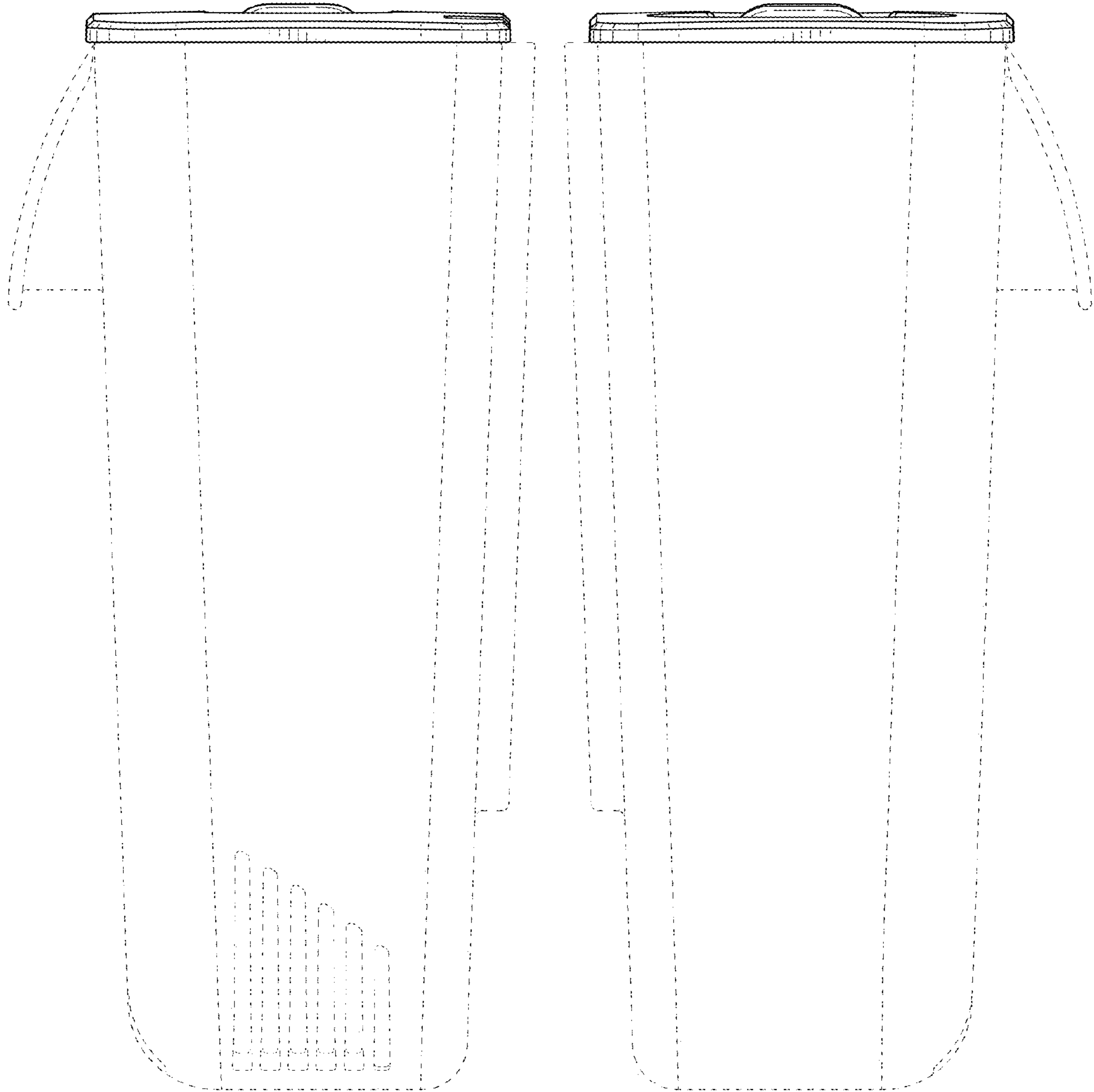
**FIG. 1**



**FIG. 2**

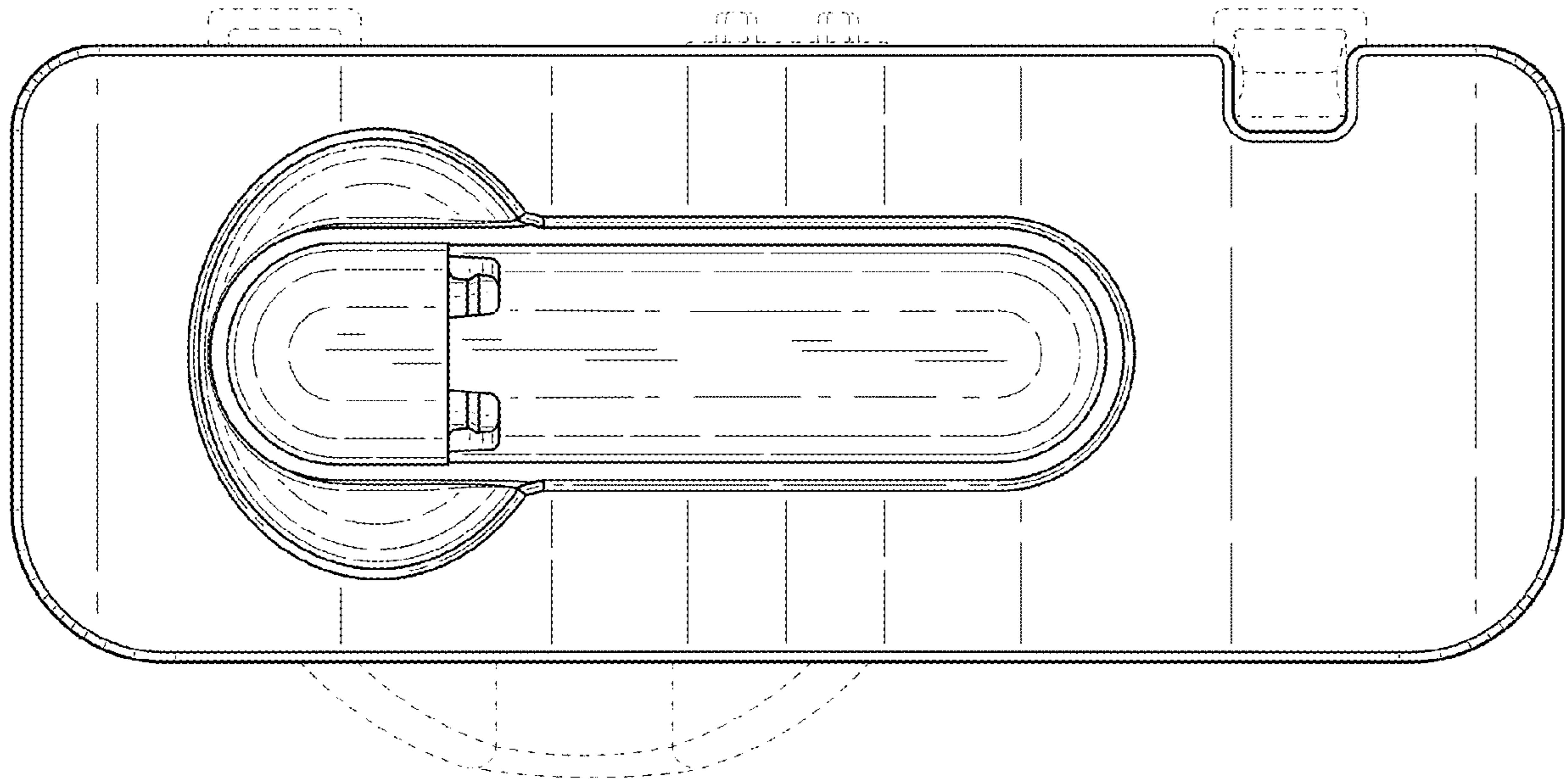


**FIG. 3**

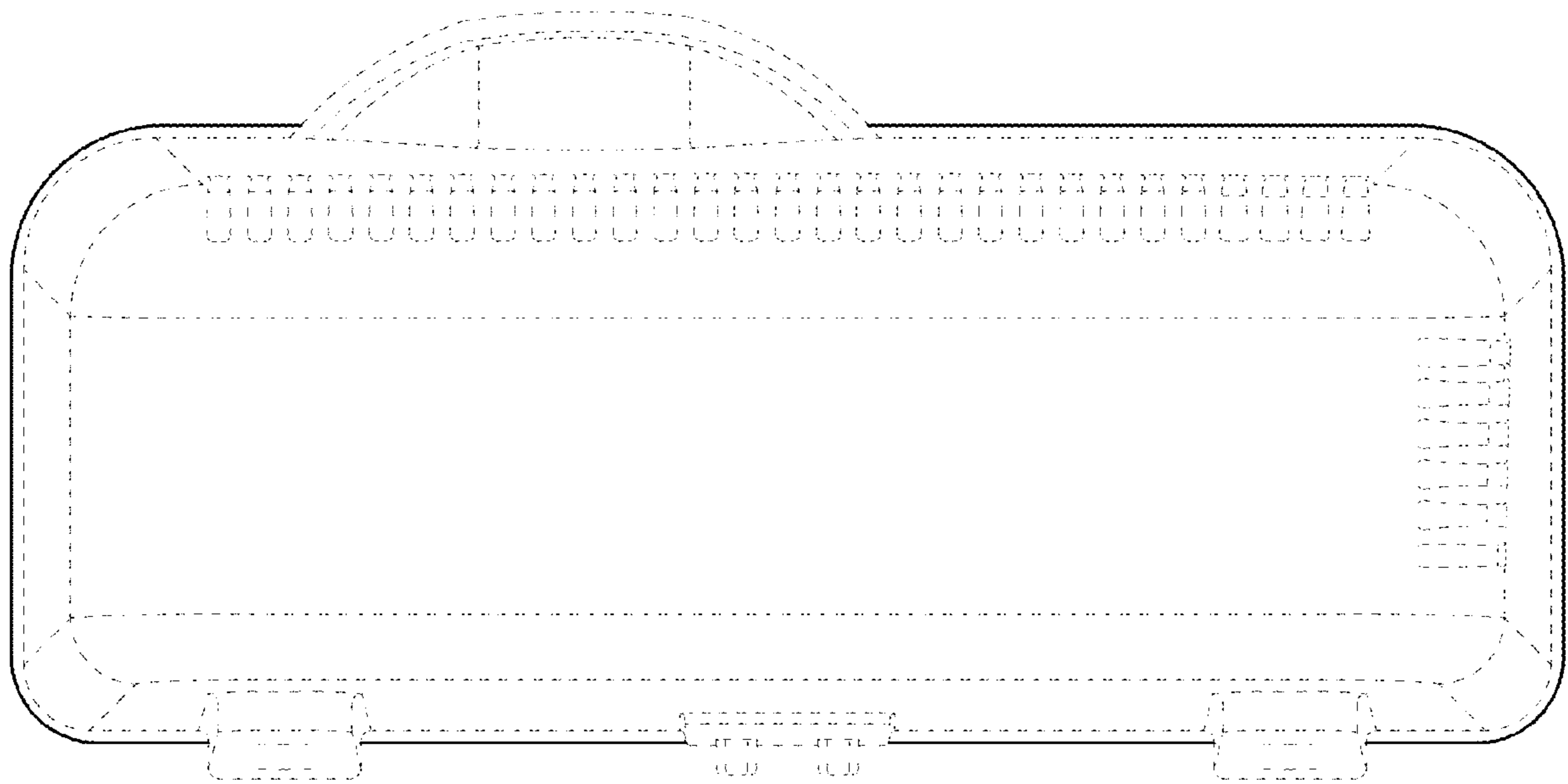


**FIG. 4**

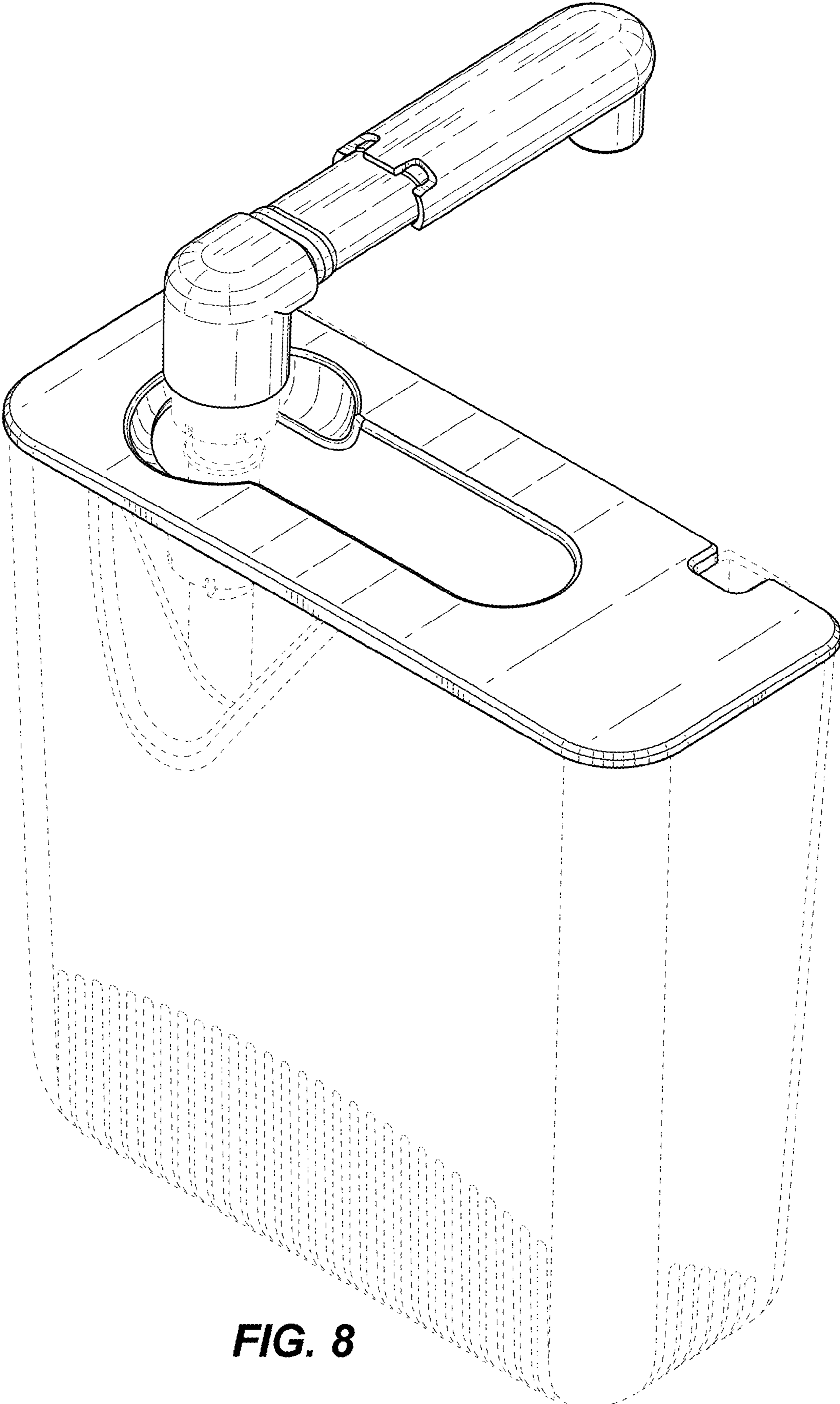
**FIG. 5**



**FIG. 6**



**FIG. 7**



**FIG. 8**