



US00D945710S

(12) **United States Design Patent**
Gingras et al.

(10) **Patent No.:** **US D945,710 S**
(45) **Date of Patent:** **** Mar. 8, 2022**

(54) **HELMET PAD**

13/0512; A41D 13/015; A41D 13/11;
A41D 1/002; A41D 2300/322; A41D
2400/44

(71) Applicant: **LOUIS GARNEAU SPORTS INC.**,
St-Augustin-de-Desmaures (CA)

See application file for complete search history.

(72) Inventors: **Denis Gingras**,
St-Augustin-de-Desmaures (CA); **Louis
Garneau**, Saint-Augustin-de-Desmaures
(CA)

(56) **References Cited**

U.S. PATENT DOCUMENTS

3,323,151 A * 6/1967 Lerman A47C 4/52
5/722
D582,921 S * 12/2008 Zuckerman D14/458
(Continued)

(73) Assignee: **LOUIS GARNEAU SPORTS INC.**,
St-Augustin-de-Desmaures (CA)

Primary Examiner — Khawaja Anwar

(**) Term: **15 Years**

(74) *Attorney, Agent, or Firm* — Norton Rose Fulbright
Canada LLP

(21) Appl. No.: **35/508,631**

(57) **CLAIM**

(22) Filed: **Jun. 21, 2019**

The ornamental design for a helmet pad, as shown and
described.

(80) **Hague Agreement Data**

DESCRIPTION

Int. Filing Date: **Jun. 21, 2019**

1.-2. Helmet pad

Int. Reg. No.: **DM/205837**

Fig. 1.1 is a perspective view of a helmet pad in accordance
with a first variant of the present design;

Int. Reg. Date: **Jun. 21, 2019**

Fig. 1.2 is a first side view of the helmet pad of Fig. 1.1, the
other side view being a mirror image thereof;

Int. Reg. Pub. Date: **Feb. 14, 2020**

Fig. 1.3 is an end view of the helmet pad of Fig. 1.1, the
other end view being a mirror image thereof;

(51) **LOC (13) Cl.** **29-02**

(52) **U.S. Cl.**
USPC **D29/122**

(58) **Field of Classification Search**

USPC D29/102-107, 122

CPC A42B 3/125; A42B 3/046; A42B 3/04;
A42B 3/0433; A42B 3/20; A42B 3/283;
A42B 1/08; A42B 1/242; A42B 3/003;
A42B 3/0406; A42B 3/042; A42B 3/044;
A42B 3/0466; A42B 3/0473; A42B
3/0493; A42B 3/06; A42B 3/062; A42B
3/066; A42B 3/068; A42B 3/08; A42B
3/10; A42B 3/12; A42B 3/121; A42B
3/127; A42B 3/128; A42B 3/145; A42B
3/16; A42B 3/166; A42B 3/18; A42B
3/205; A42B 3/225; A42B 3/227; A42B
3/288; A42B 3/30; A42B 3/326; A41D

Fig. 1.4 is a first overview of the helmet pad of Fig. 1.1; and
Fig. 1.5 is a second overview of the helmet pad of Fig. 1.1.

Fig. 2.1 is a perspective view of a helmet pad in accordance
with a second variant of the present design;

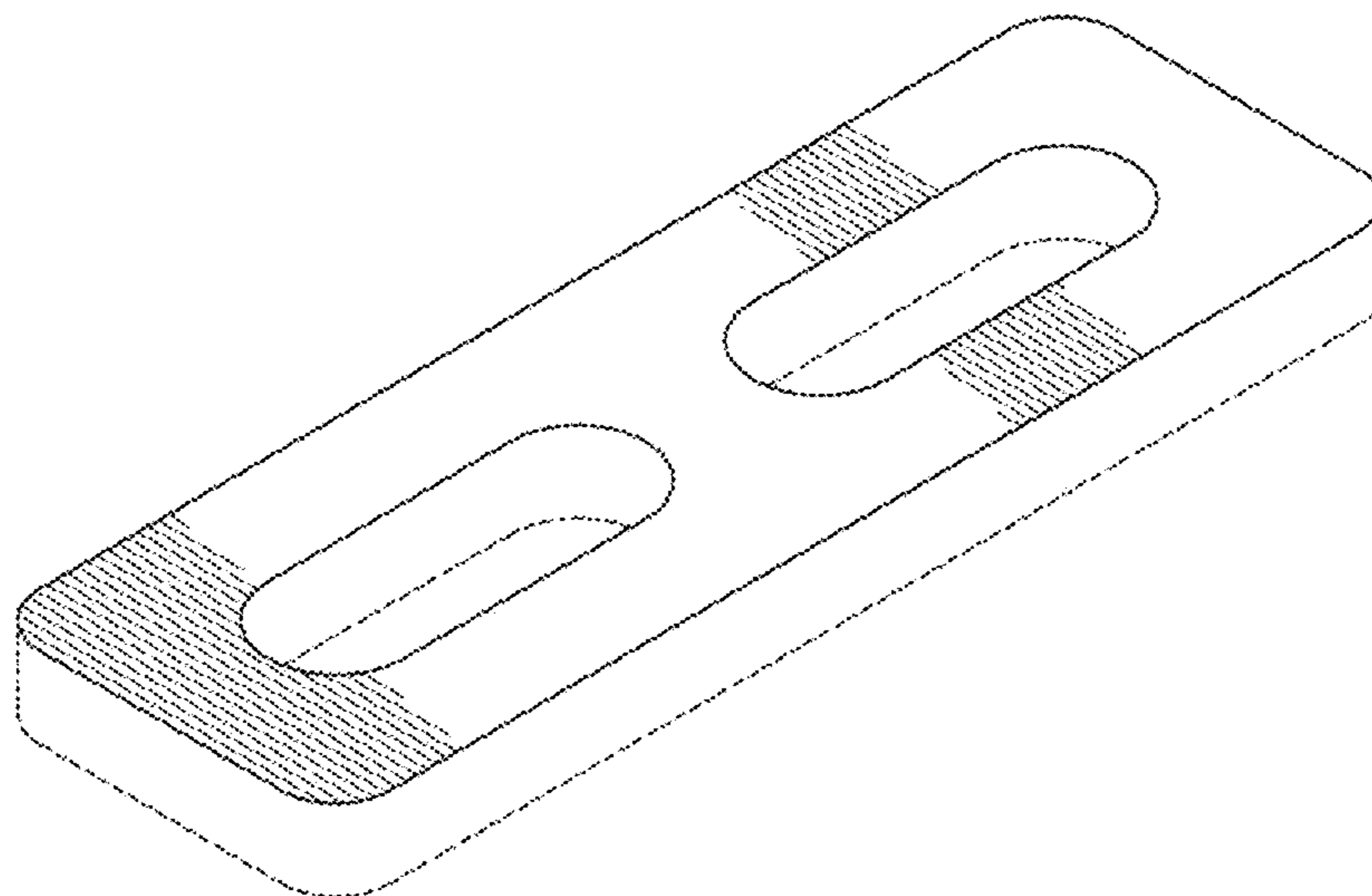
Fig. 2.2 is a first side view of the helmet pad of Fig. 2.1, the
other side view being a mirror image thereof;

Fig. 2.3 is an end view of the helmet pad of Fig. 2.1, the
other end view being a mirror image thereof;

Fig. 2.4 is a first overview of the helmet pad of Fig. 2.1; and
Fig. 2.5 is a second overview of the helmet pad of Fig. 2.1.

The broken line portions are included to show boundaries of
the helmet pad and form no part of the claimed design.

1 Claim, 10 Drawing Sheets



(56)

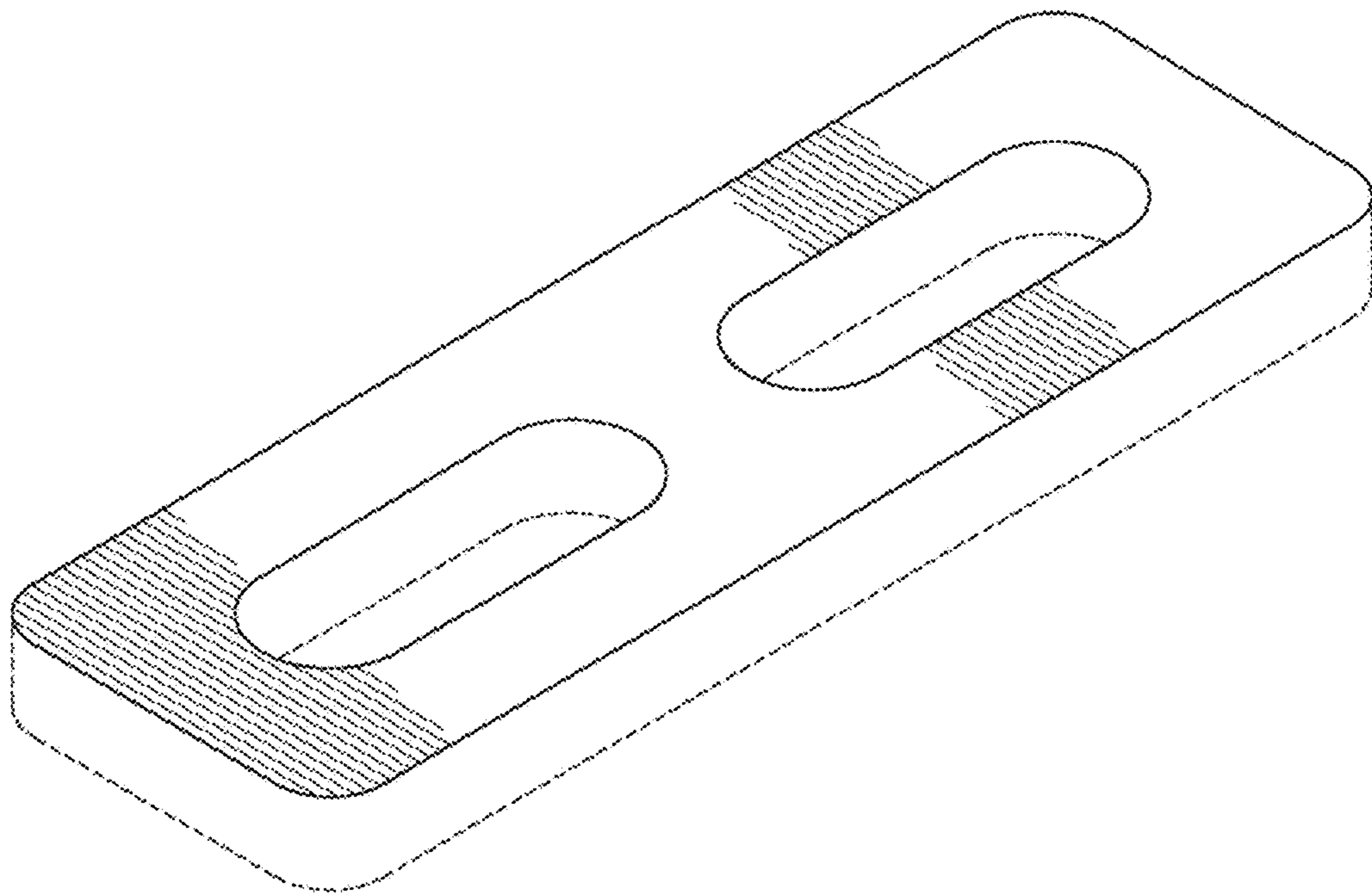
References Cited

U.S. PATENT DOCUMENTS

D621,099	S	*	8/2010	Johnson	D29/122
D637,356	S	*	5/2011	Green	D29/122
D664,729	S	*	7/2012	Robertson	D32/50
D673,405	S	*	1/2013	Huss	D6/592
D687,473	S	*	8/2013	Edwards	D15/141
D769,540	S	*	10/2016	Meier	D29/122
D769,541	S	*	10/2016	Meier	D29/122
D789,028	S	*	6/2017	Wynn	D2/500
D799,122	S	*	10/2017	Kang	D29/122
D858,784	S	*	9/2019	Moeller	D24/206
D859,837	S	*	9/2019	Piche-Rouillard	D3/318
D864,609	S	*	10/2019	Lagun	D6/582
D869,660	S	*	12/2019	Samaan	D24/184
D874,069	S	*	1/2020	Dunton	D29/122
D882,878	S	*	4/2020	Berggren	D29/122
D886,492	S	*	6/2020	Farkas	D6/582
D896,460	S	*	9/2020	Troyan	D34/11
D911,656	S	*	2/2021	Baker	D34/27
D912,908	S	*	3/2021	Monica, Jr.	D29/122

* cited by examiner

1.1



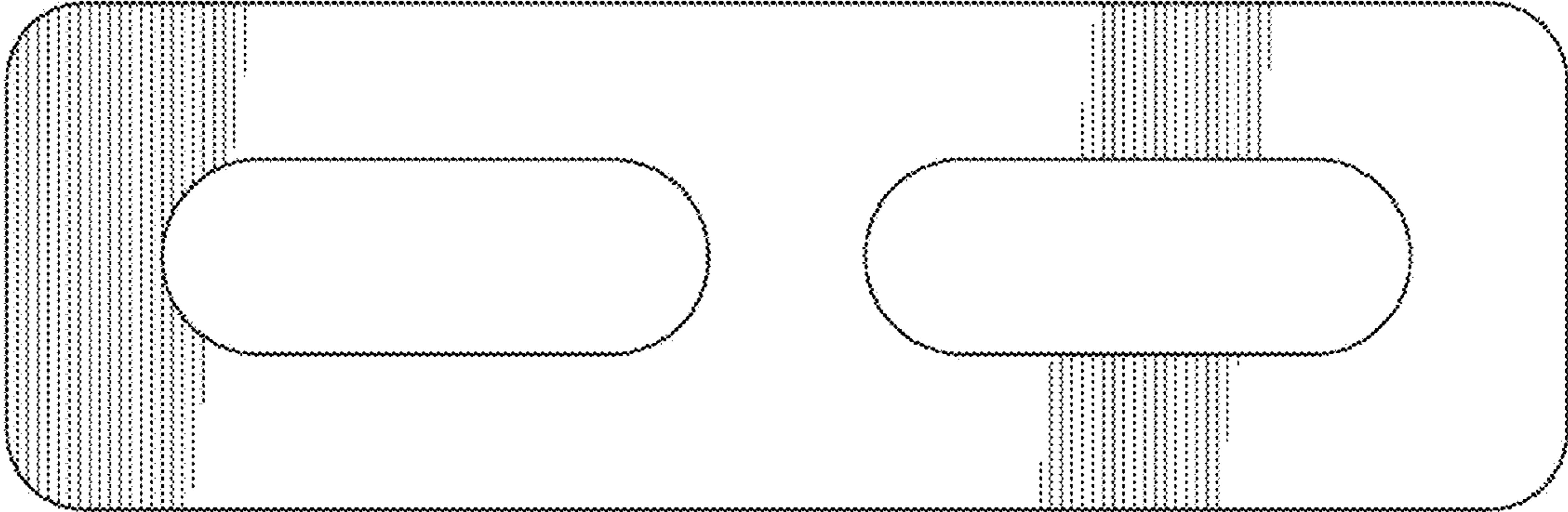
1.2



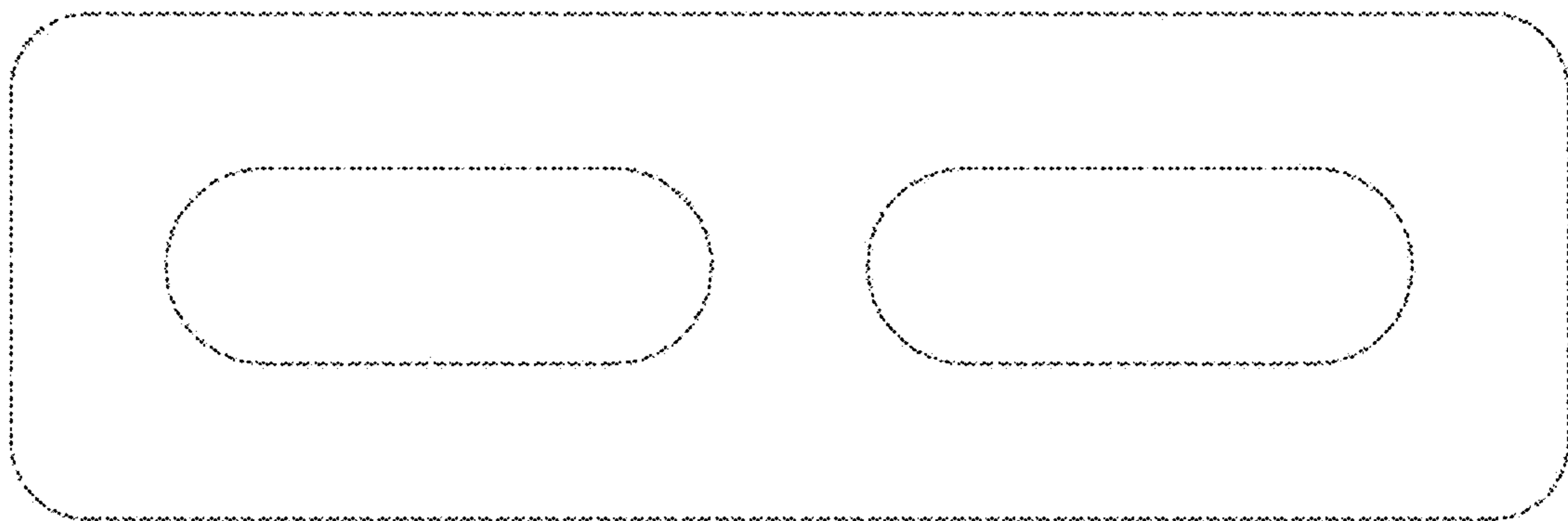
1.3



1.4



1.5



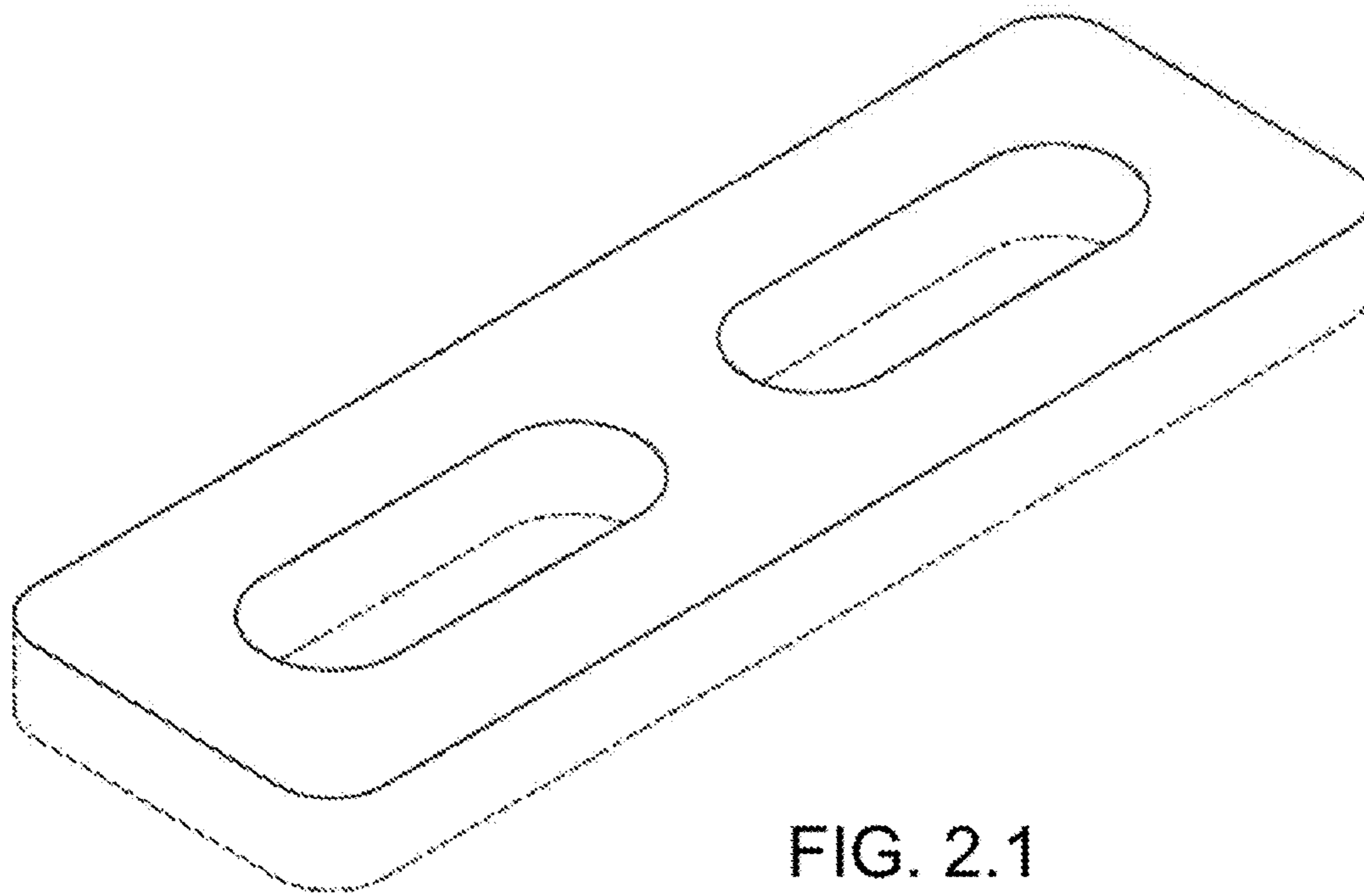


FIG. 2.1



FIG. 2.2



FIG. 2.3

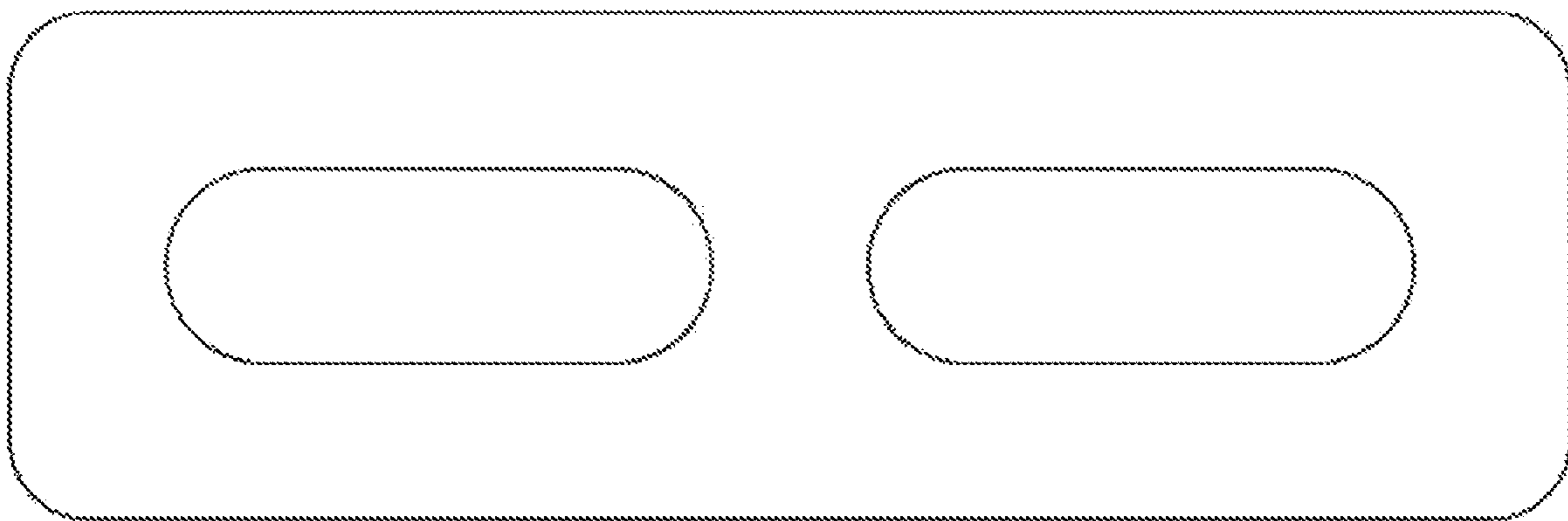


FIG. 2.4

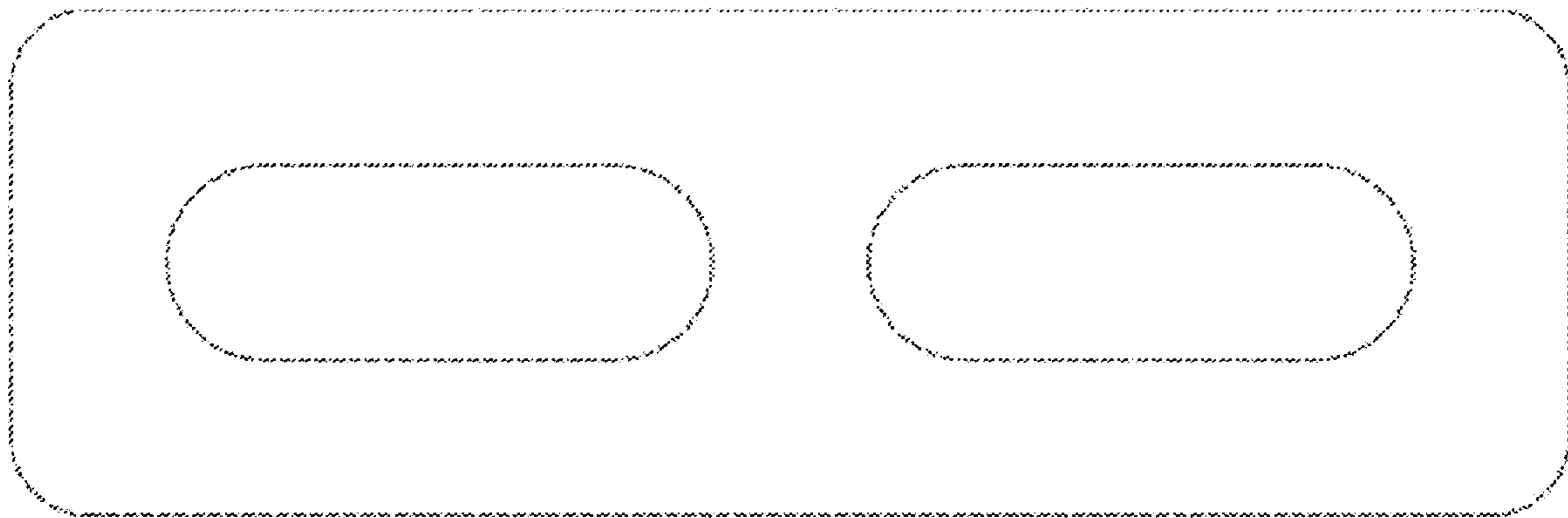


FIG. 2.5