



US00D945706S

(12) **United States Design Patent** (10) **Patent No.:** **US D945,706 S**
Wu (45) **Date of Patent:** **** Mar. 8, 2022**

(54) **MAKEUP MIRROR**
(71) Applicant: **Manchuan Wu**, Guangdong (CN)
(72) Inventor: **Manchuan Wu**, Guangdong (CN)
(**) Term: **15 Years**

D890,433 S * 7/2020 Zhu D28/64.6
D905,910 S * 12/2020 Yang D28/64.1
D907,855 S * 1/2021 Jung D28/78
2004/0173498 A1 * 9/2004 Lee A45D 42/04
206/581
2016/0331101 A1 * 11/2016 Lewis A45D 33/26

(21) Appl. No.: **29/720,489**
(22) Filed: **Jan. 14, 2020**
(51) **LOC (13) Cl.** **28-03**
(52) **U.S. Cl.**
USPC **D28/64.1**
(58) **Field of Classification Search**
USPC D28/64.1-64.7, 73, 76-82, 99;
D9/503-505, 722, 737, 756, 759, 529
CPC A45D 33/006; A45D 33/003; A45D
33/04-33; A45D 33/025; A45D 33/02;
A45D 33/20; A45D 33/22; A45D 33/24;
A45D 33/26; A45D 33/18; A45D 40/22;
A45D 40/222; A45D 40/24; A45D
33/008; A45D 42/00; A45D 42/04
See application file for complete search history.

FOREIGN PATENT DOCUMENTS

JP D1670001 * 10/2020

OTHER PUBLICATIONS

Glocusent 1X/10X Magnifying Makeup Mirror with Lights, Glocusent, first available on Nov. 4, 2020 on amazon.com, retrieved on Jan. 21, 2021, retrieved from the Internet URL: <https://www.amazon.com/Glocusent-Magnifying-Adjustable-Rechargeable-Long-Lasting/dp/B08MQKF7N2>.*

(Continued)

Primary Examiner — Jennifer Rivard
Assistant Examiner — Alison M Ofstun

(57) **CLAIM**

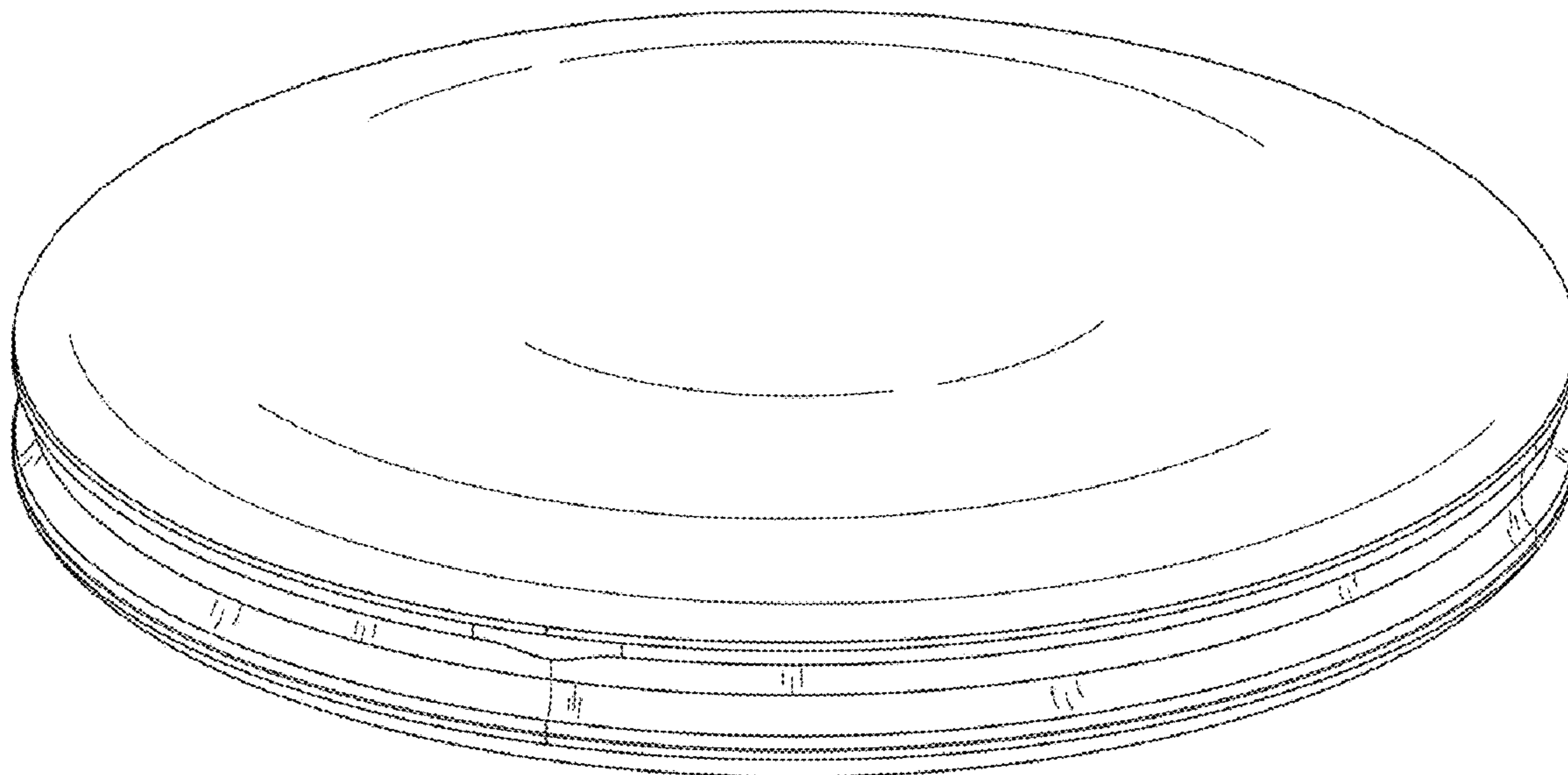
The ornamental design for a makeup mirror, as shown and described.

DESCRIPTION

FIG. 1 is a front perspective view of a makeup mirror showing my new design;
FIG. 2 is a rear perspective view thereof;
FIG. 3 is a front elevational view thereof;
FIG. 4 is a rear elevational view thereof;
FIG. 5 is a left side elevational view thereof;
FIG. 6 is a right side elevational view thereof;
FIG. 7 is a top plan view thereof;
FIG. 8 is a bottom plan view thereof; and,
FIG. 9 is a perspective view thereof, shown in an open position of use.
The broken lines are shown for the purpose of illustrating parts of the article that form no part of the claim.

1 Claim, 9 Drawing Sheets

(56) **References Cited**
U.S. PATENT DOCUMENTS
2,465,491 A * 3/1949 Storch A45D 40/221
132/307
5,118,377 A * 6/1992 Parkinson A45D 40/22
156/250
D496,759 S * 9/2004 Rodriguez D28/82
7,090,378 B1 * 8/2006 Zadro A45D 42/10
362/109
D573,799 S * 7/2008 Pitot D6/308
D634,477 S * 3/2011 Morabito D28/82
D719,747 S * 12/2014 Mischel, Jr. D6/309
D742,070 S * 10/2015 Park D28/82
D774,697 S * 12/2016 Praster D28/82
D788,371 S * 5/2017 Lee D28/82
D793,624 S * 8/2017 Hwang D28/82



(56)

References Cited

OTHER PUBLICATIONS

Fancii LED Lighted Travel Makeup Mirror, Fancii, first available on Nov. 30, 2016 on amazon.com, retrieved on Jan. 21, 2021, retrieved from the Internet URL: https://www.amazon.com/Fancii-Lighted-Travel-Makeup-Magnification/dp/B01MXSU6P9/ref=sr_1_2_sspa?crid=2HBJ50DDCBWVG&dchild=1&keywords=fancii+10x+magnifying+lighted+.*

* cited by examiner

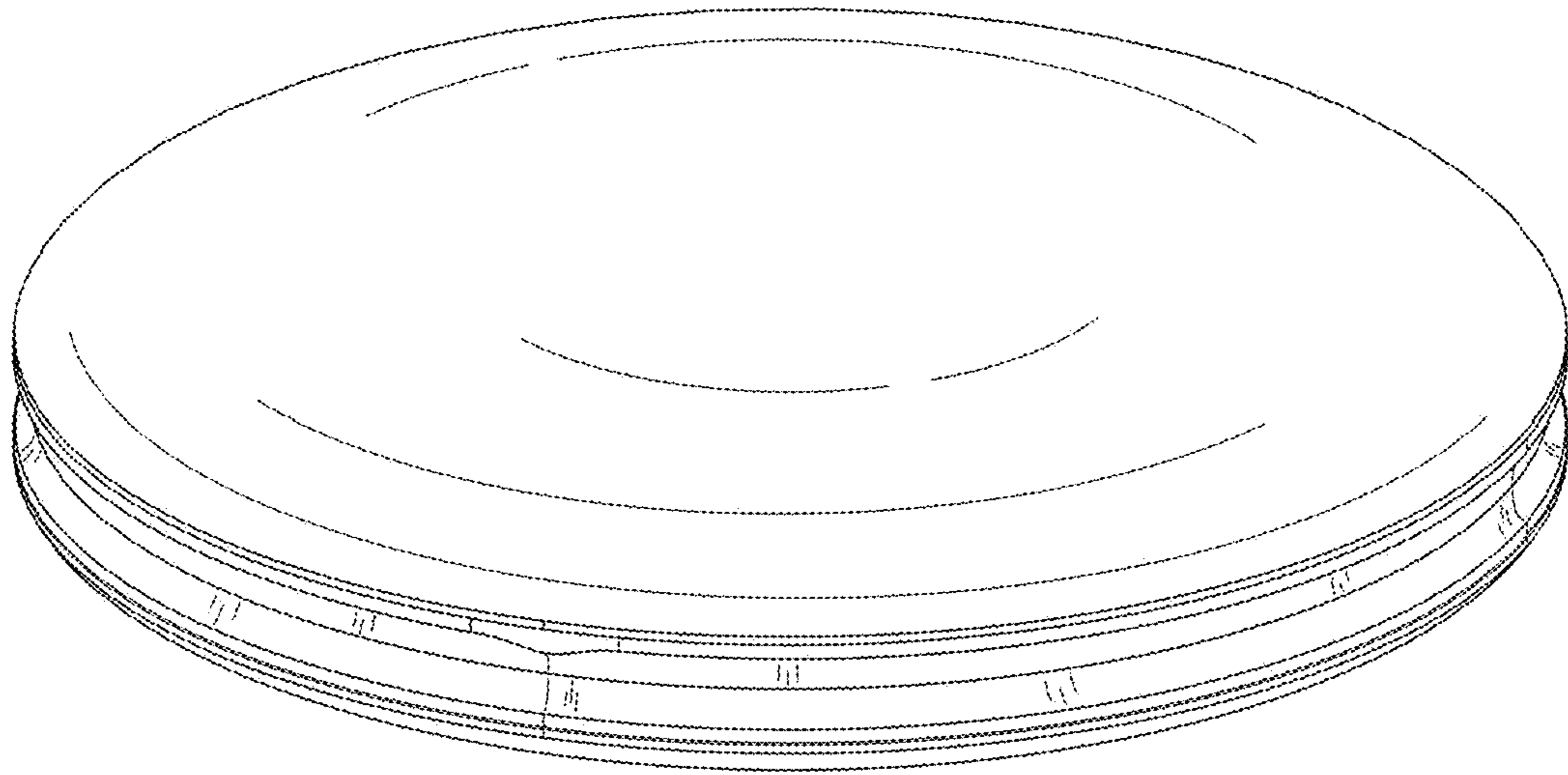


FIG. 1

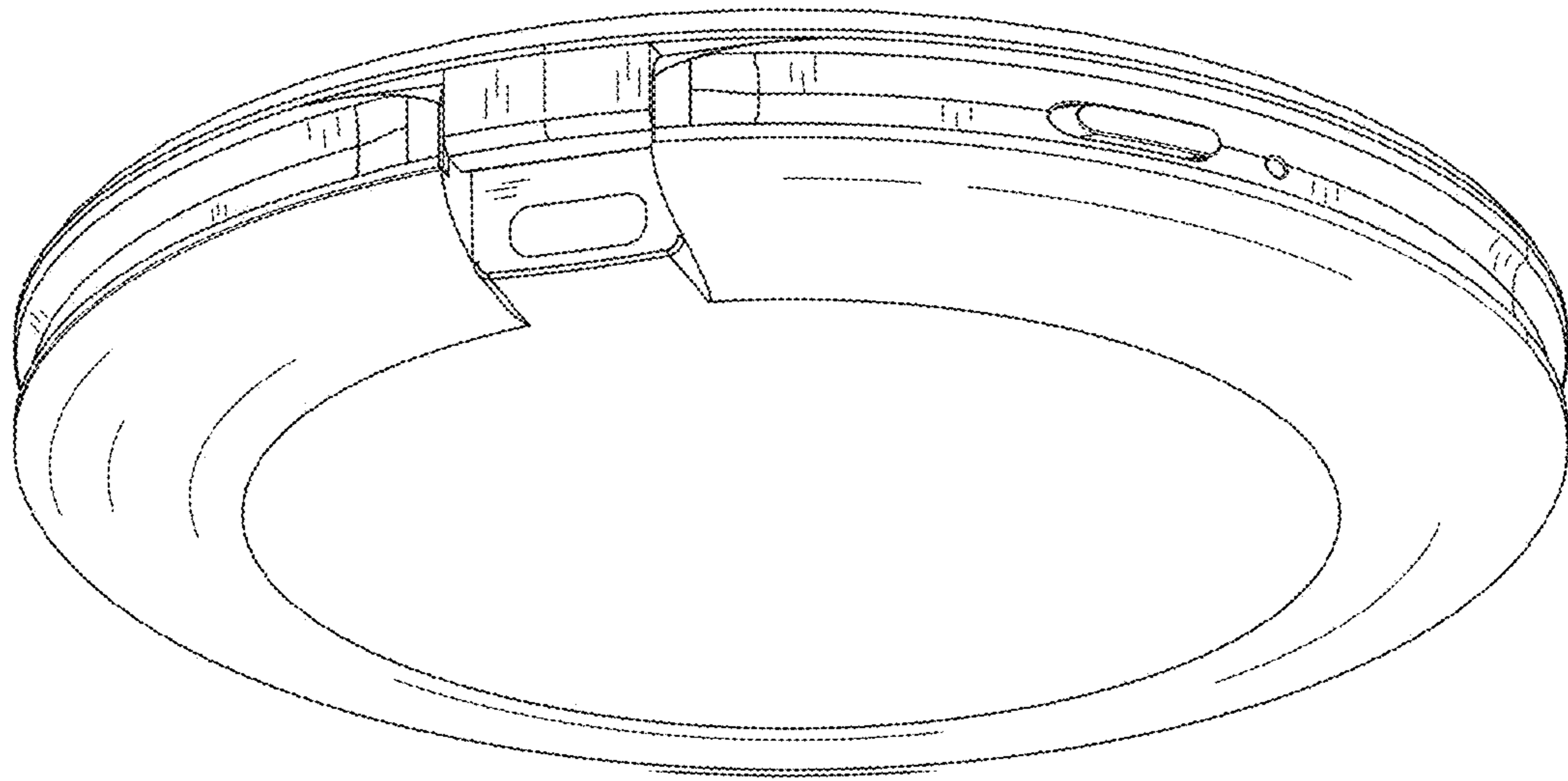


FIG. 2

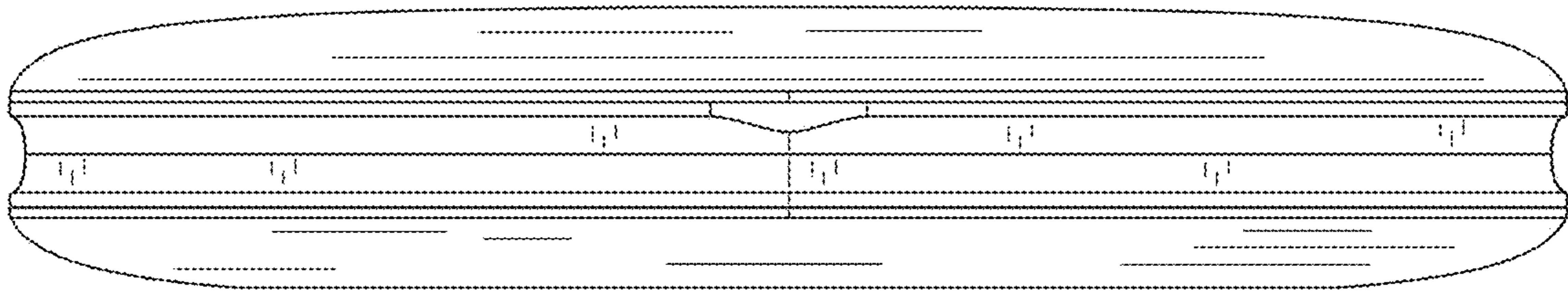


FIG. 3

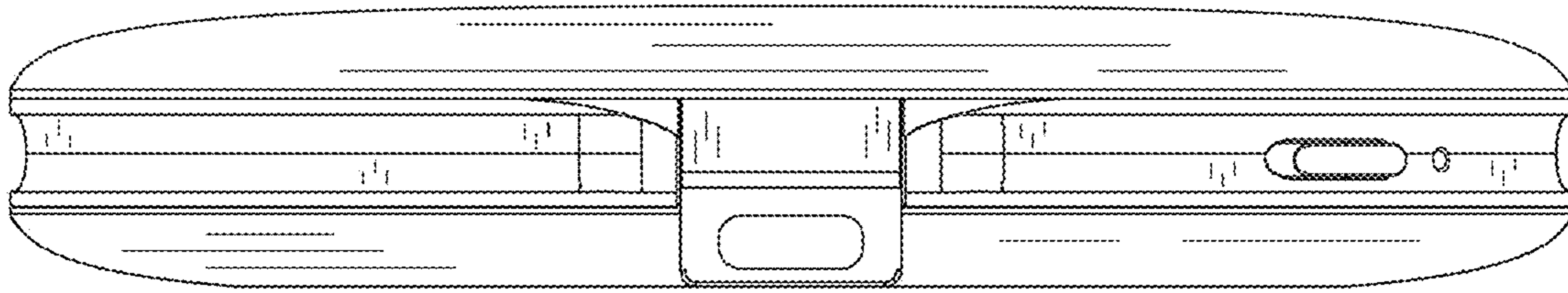


FIG. 4

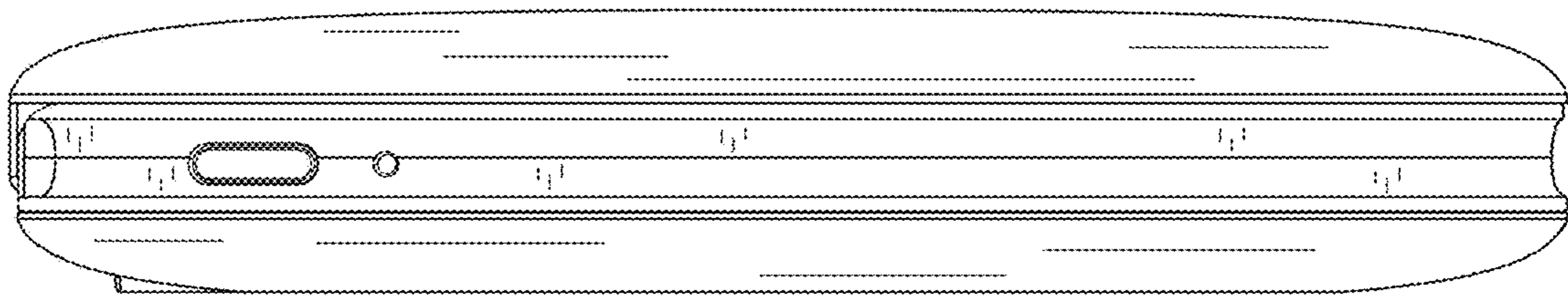


FIG. 5

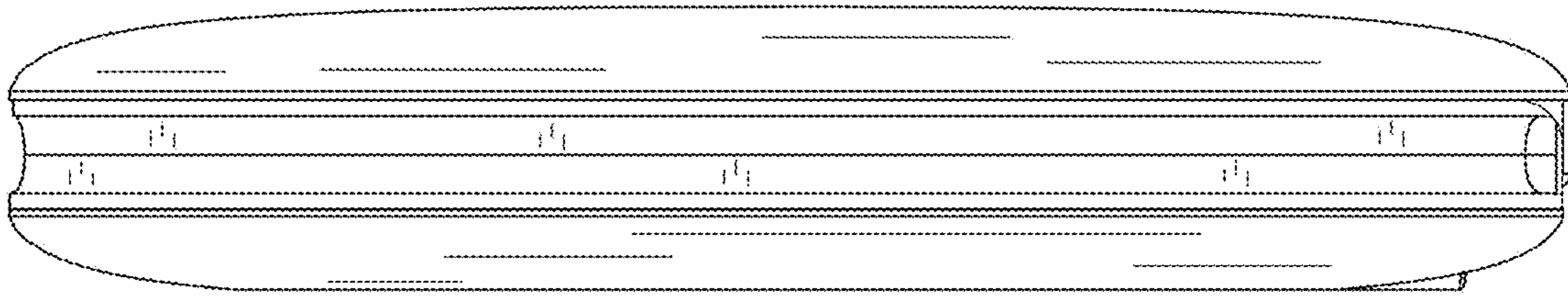


FIG. 6

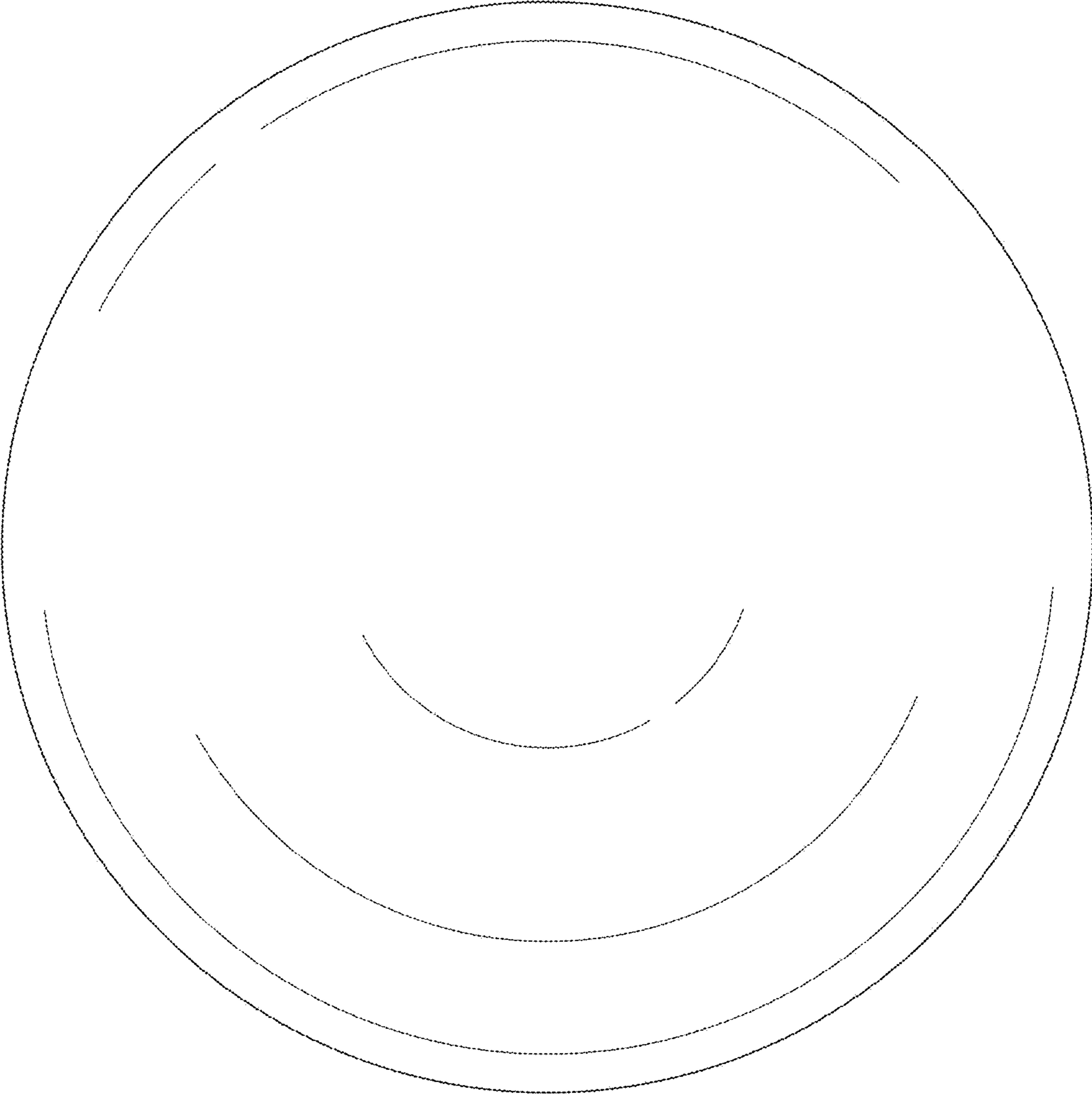


FIG. 7

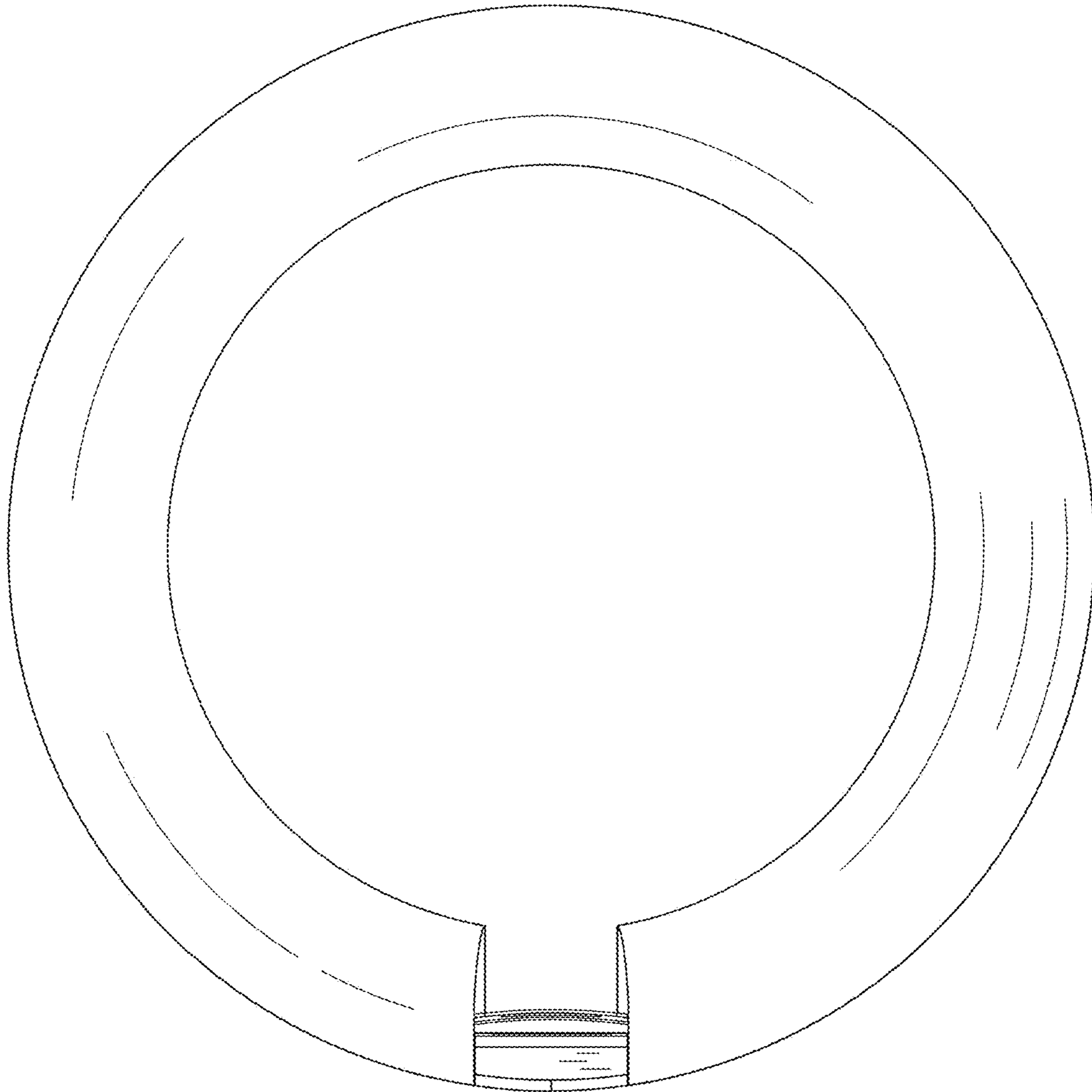


FIG. 8

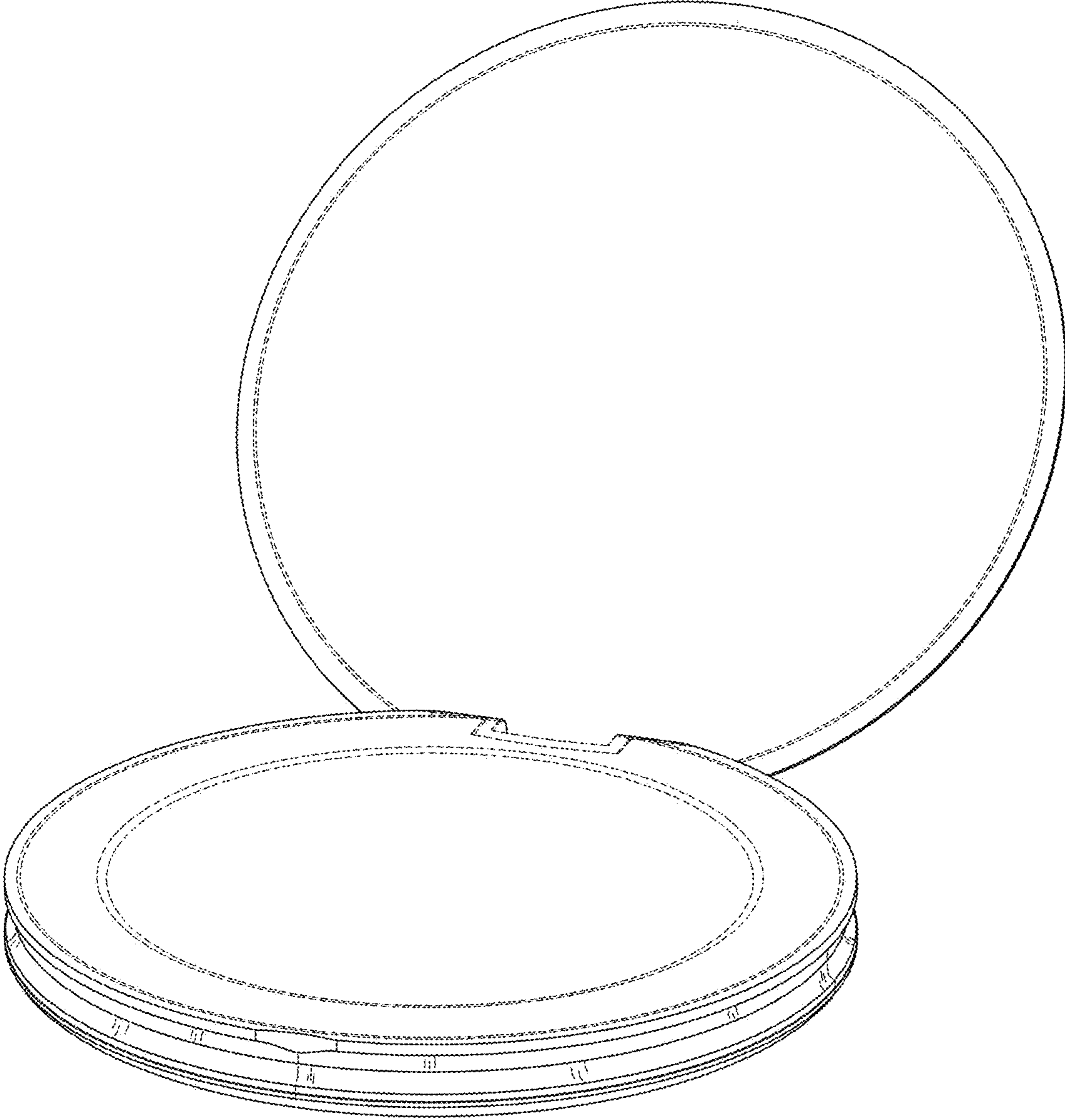


FIG. 9