



US00D945699S

(12) **United States Design Patent** (10) **Patent No.:** **US D945,699 S**
Hermiz (45) **Date of Patent:** **** Mar. 8, 2022**

(54) **CARTRIDGE FOR AN ELECTRONIC SMOKING DEVICE**

(71) Applicant: **Cegnum LLC**, Farmington Hills, MI (US)

(72) Inventor: **Randy Hermiz**, Farmington Hills, MI (US)

(73) Assignee: **Cegnum LLC**, Farmington Hills, MI (US)

(**) Term: **15 Years**

(21) Appl. No.: **29/741,856**

(22) Filed: **Jul. 16, 2020**

(51) **LOC (13) Cl.** **27-02**

(52) **U.S. Cl.**
USPC **D27/162**

(58) **Field of Classification Search**
USPC D27/162, 100, 101, 163–165, 167, 172, D27/174–176, 173, 185–194; D24/110, D24/110.5; D23/356, 360, 363, 366; D13/103, 107
CPC A24F 47/00; A24F 47/02; A24F 47/04; A24F 47/08; A61M 15/06

See application file for complete search history.

(56) **References Cited**

U.S. PATENT DOCUMENTS

D842,536 S *	3/2019	Bowen	D27/167
D844,235 S *	3/2019	Cividi	D27/167
D849,996 S *	5/2019	Duque	D27/194
D858,868 S *	9/2019	Bowen	D27/162
D865,279 S *	10/2019	Pino	D27/172
D870,368 S *	12/2019	Leon Duque	D27/162
D887,632 S *	6/2020	Duque	D27/167
D888,329 S *	6/2020	Qiu	D27/167
D893,094 S *	8/2020	Wang	D27/162
D893,096 S *	8/2020	Leon Duque	D27/194
D900,385 S *	10/2020	Wang	D27/162
D902,480 S *	11/2020	Chen	D27/194

D911,600 S *	2/2021	Chen	D27/162
D912,309 S *	3/2021	Bowen	D27/162
D918,467 S *	5/2021	Wang	D27/162
D921,284 S *	6/2021	Belisle	D27/162
D923,240 S *	6/2021	Wang	D27/162
D923,864 S *	6/2021	Carlberg	D27/162

OTHER PUBLICATIONS

J Pods Vape tank Cartridge By: DHgate found online Jul. 15, 2021 <https://www.dhgate.com/product/newest-j-pods-vape-tank-cartridge-ceramic/425401458.html> Oct. 1, 2018.*

* cited by examiner

Primary Examiner — Marissa J Cash

Assistant Examiner — Rebecca Tsehaye

(74) *Attorney, Agent, or Firm* — Howard & Howard Attorneys PLLC

(57) **CLAIM**

The ornamental design for a cartridge for an electronic smoking device, as shown and described.

DESCRIPTION

FIG. 1 is a top, right side perspective view of a cartridge for an electronic smoking device.

FIG. 2 is a bottom, left side perspective view of the cartridge of FIG. 1.

FIG. 3 is a front view of the cartridge of FIG. 1.

FIG. 4 is a rear view of the cartridge of FIG. 1.

FIG. 5 is a left side view of the cartridge of FIG. 1.

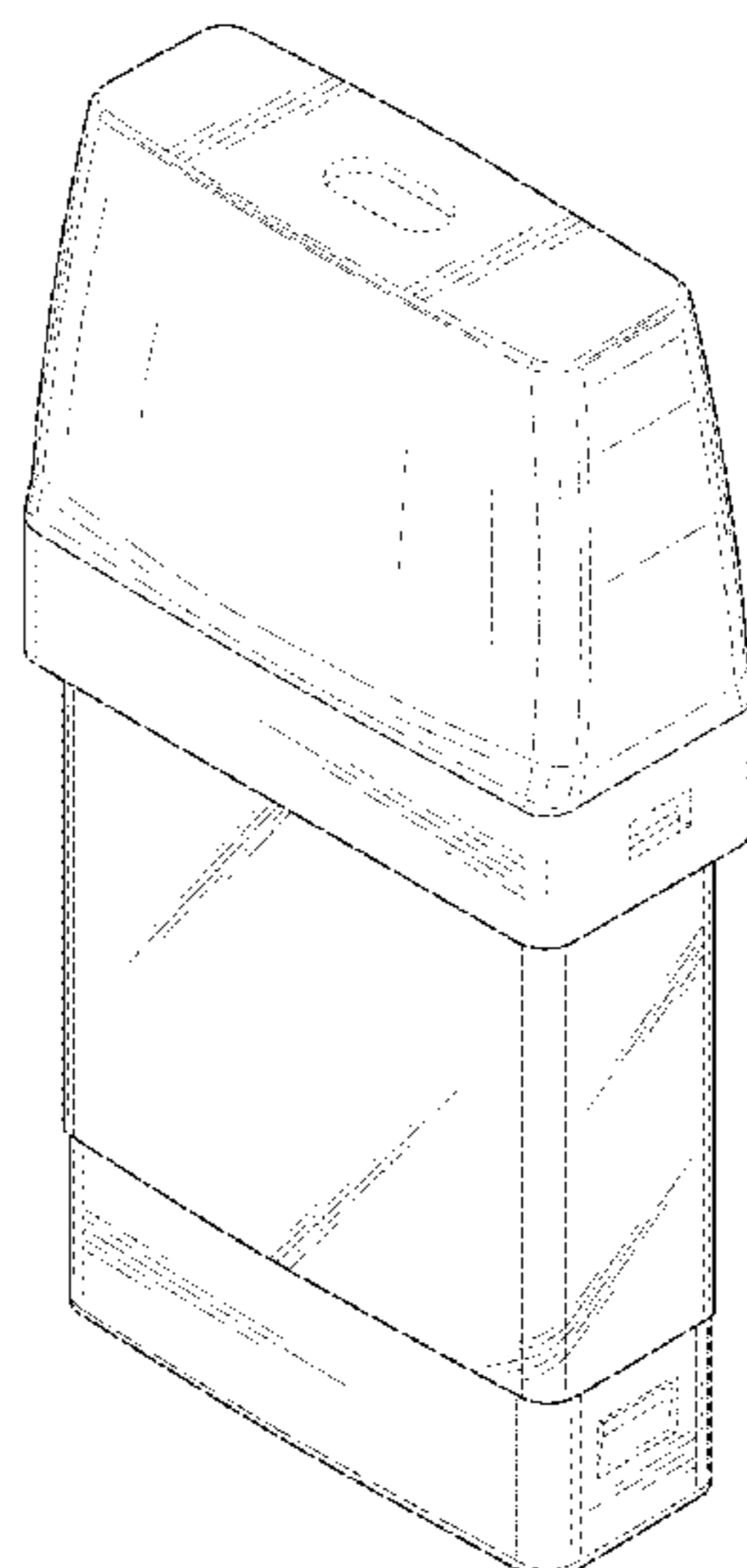
FIG. 6 is a right side view of the cartridge of FIG. 1.

FIG. 7 is a top view of the cartridge of FIG. 1; and,

FIG. 8 is a bottom view of the cartridge of FIG. 1.

The broken lines in the drawings depict portions of the cartridge for an electronic smoking device that form no part of the claimed design. The oblique line shading in the drawings depicts portions of the cartridge that are transparent.

1 Claim, 6 Drawing Sheets



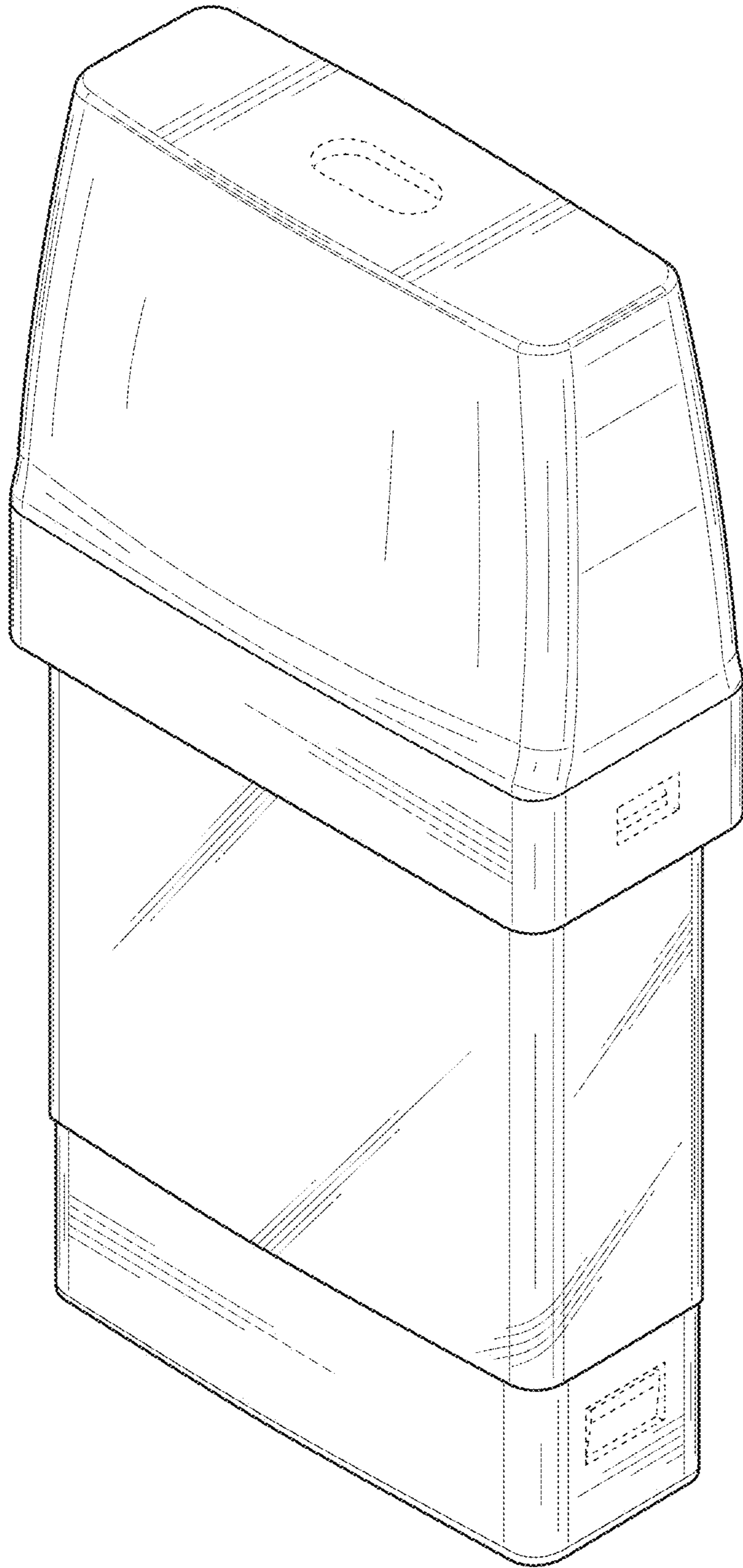


FIG. 1

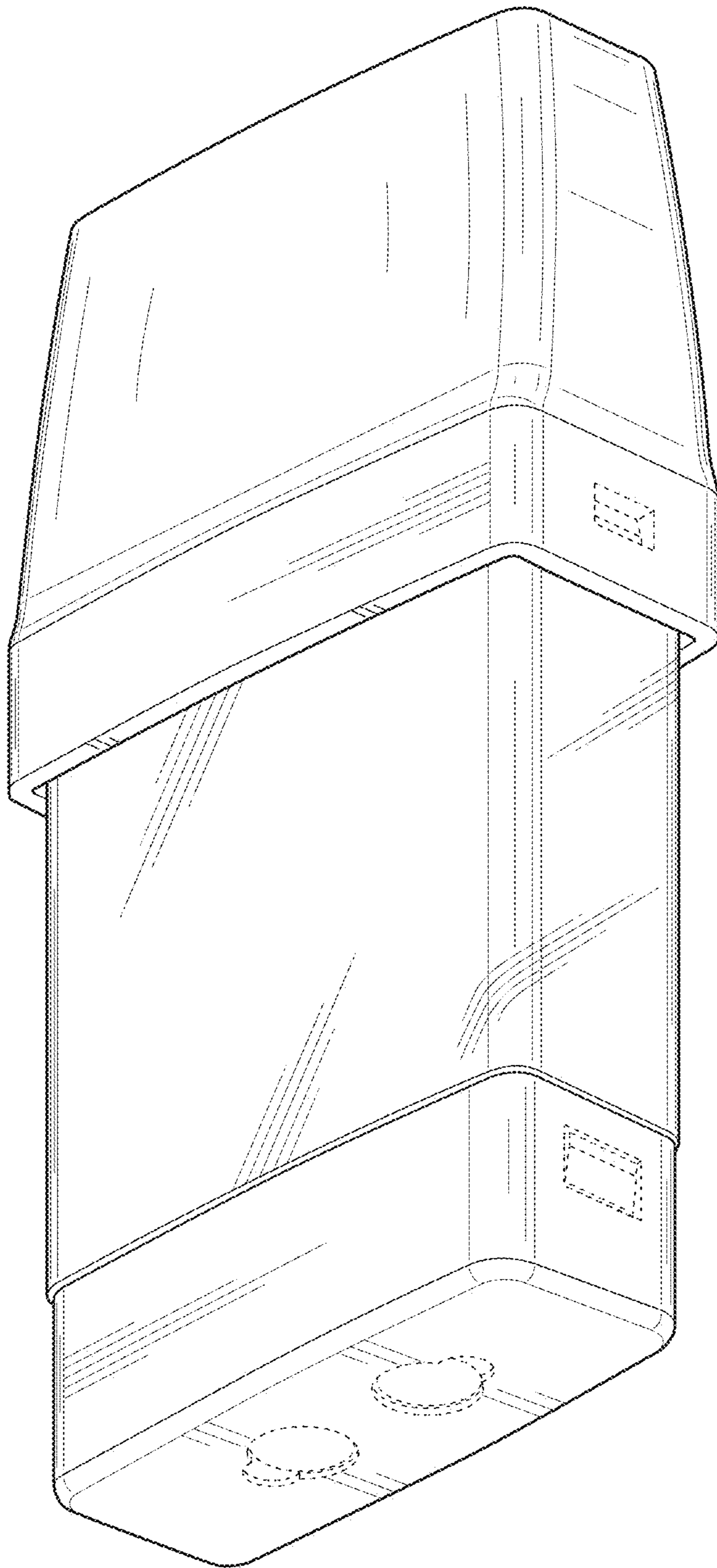


FIG. 2

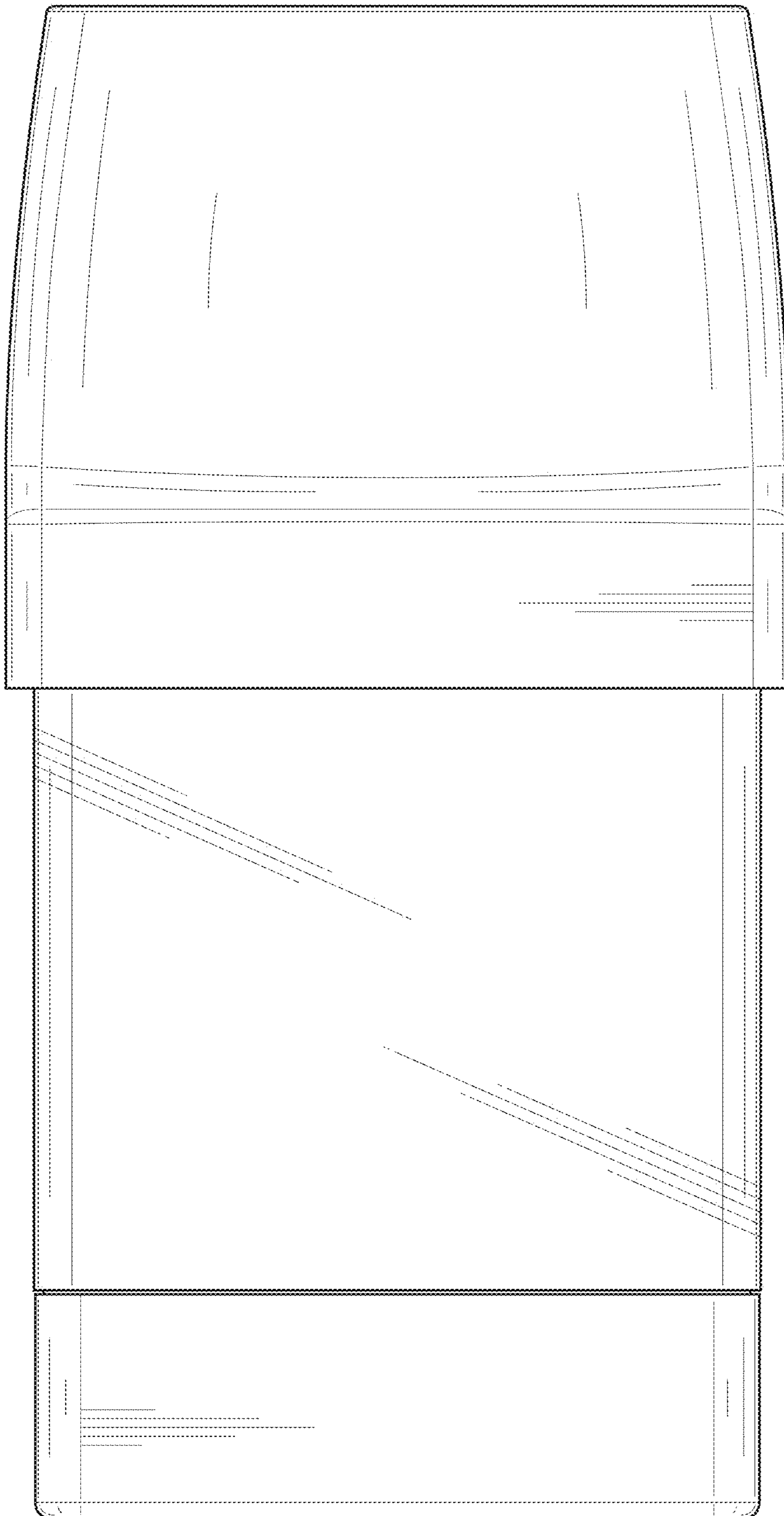


FIG. 3

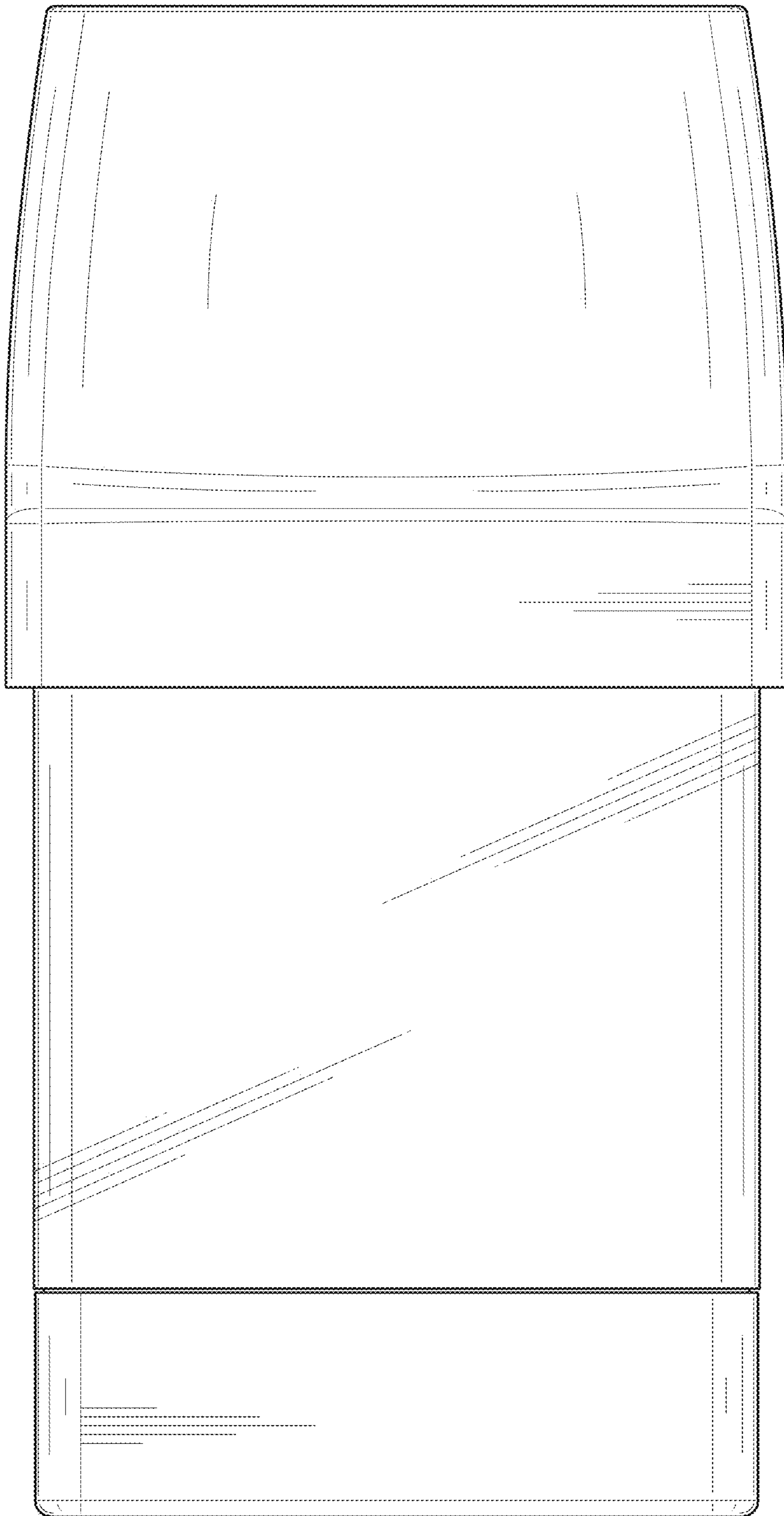


FIG. 4

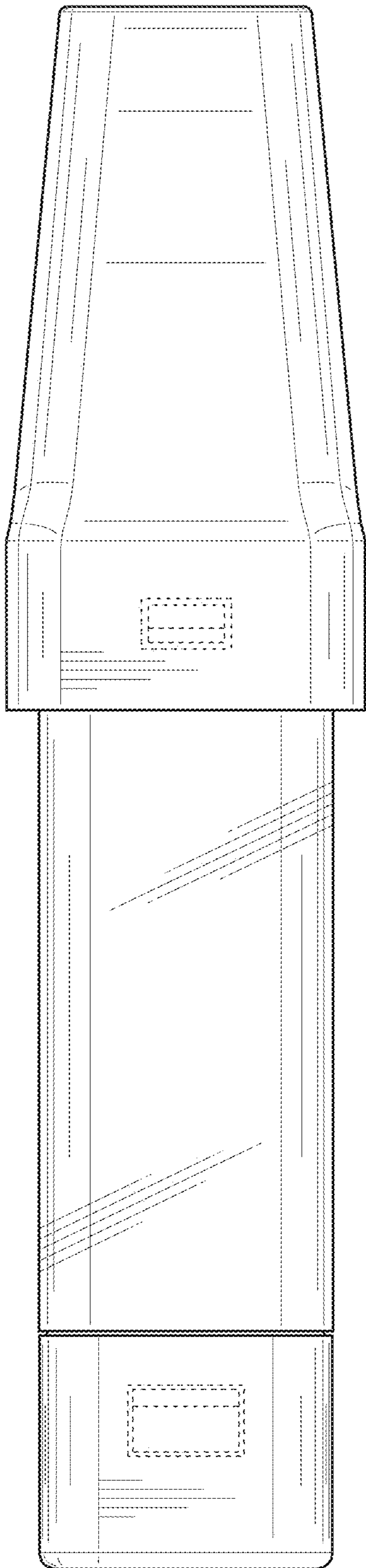


FIG. 5

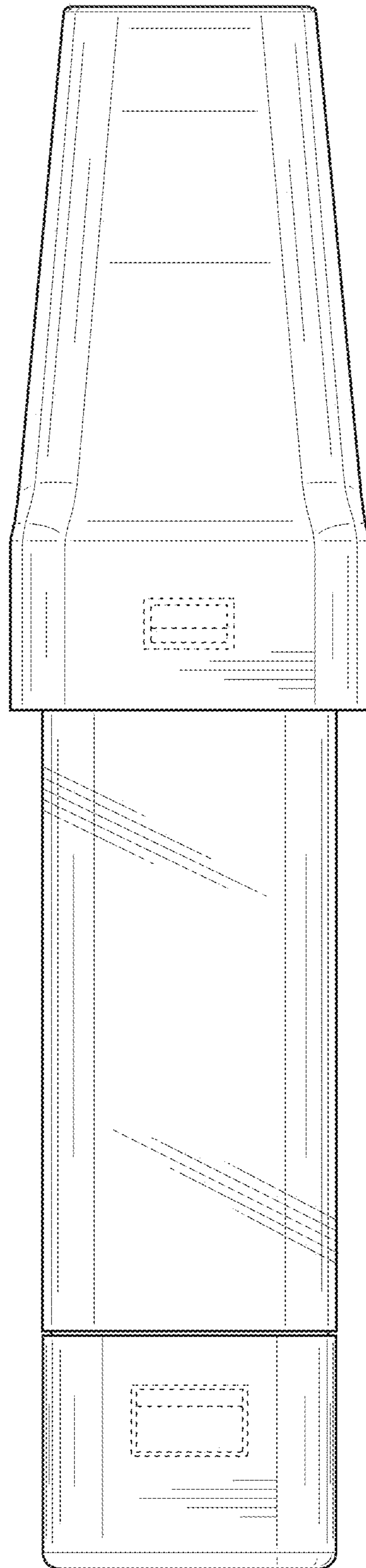


FIG. 6

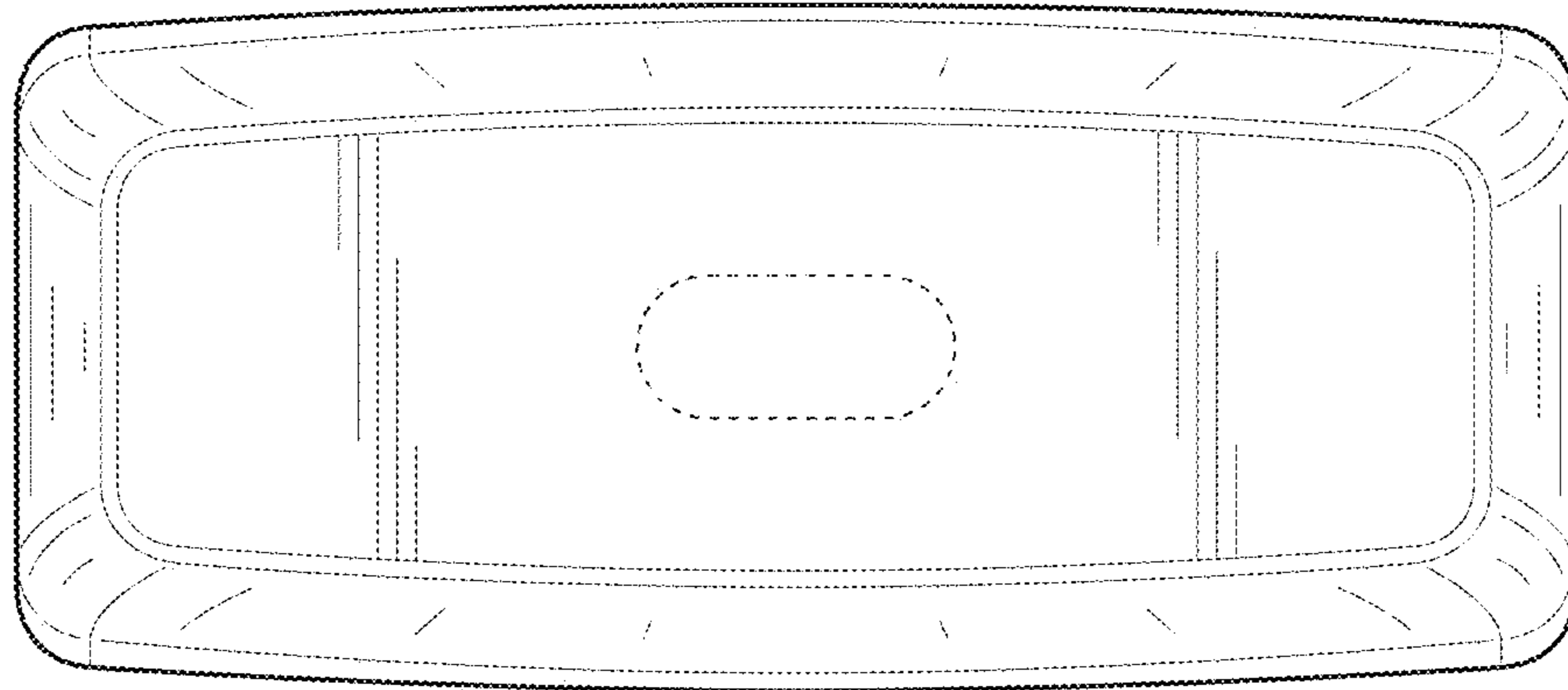


FIG. 7

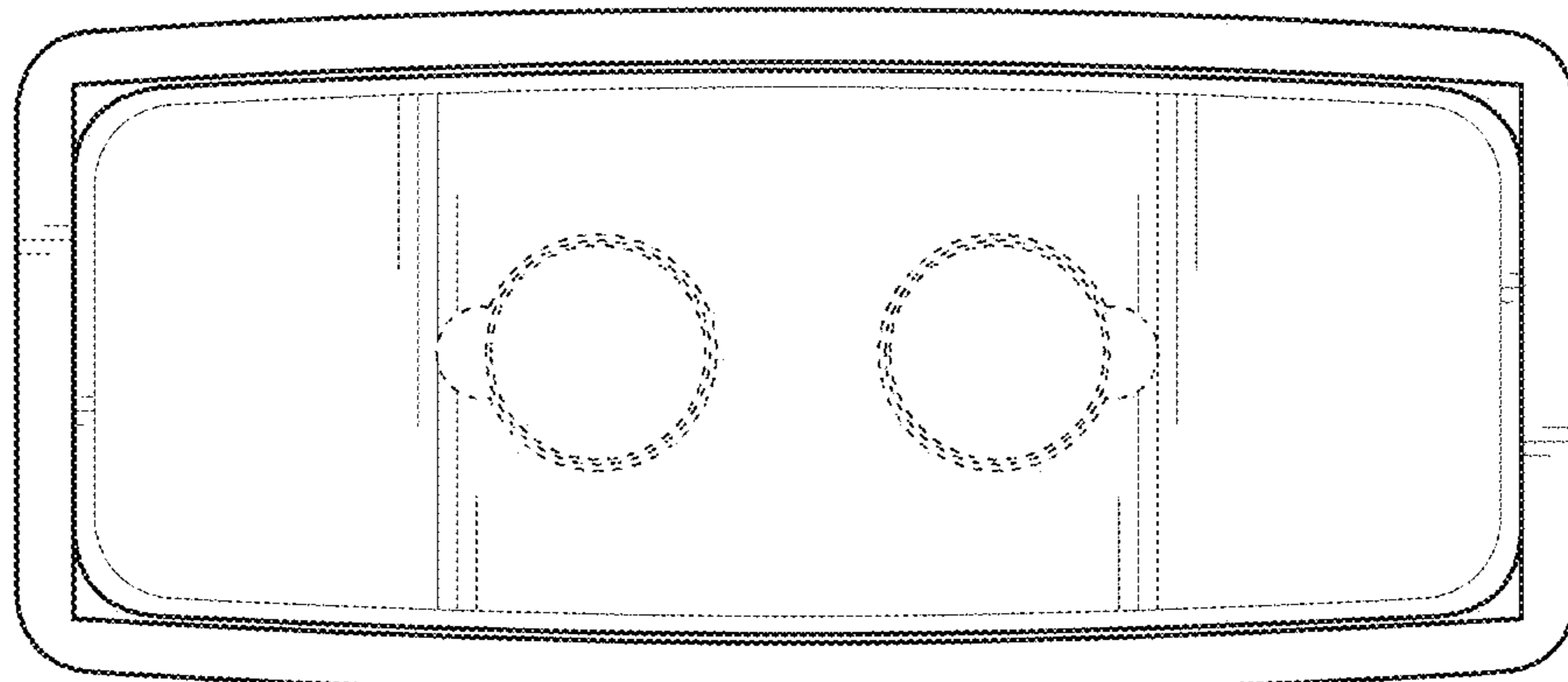


FIG. 8