

US00D945694S

(12) **United States Design Patent** (10) **Patent No.:** **US D945,694 S**
Luo (45) **Date of Patent:** **** Mar. 8, 2022**

(54) **BBQ LIGHTER**

(71) Applicant: **Zhuo Wen Luo**, City of Industry, CA (US)

(72) Inventor: **Zhuo Wen Luo**, City of Industry, CA (US)

(**) Term: **15 Years**

(21) Appl. No.: **29/728,473**

(22) Filed: **Mar. 18, 2020**

(51) **LOC (13) Cl.** **27-05**

(52) **U.S. Cl.**

USPC **D27/141**; D7/416

(58) **Field of Classification Search**

USPC D27/100, 101, 102, 103, 106, 108, 109, D27/110, 111, 117, 120, 125, 126, 127, D27/128, 129, 139, 141, 142, 143, 144, D27/147, 148, 154, 162, 163, 164, 165, D27/166, 167, 168, 169, 170, 171, 172, D27/173, 174, 175, 176, 177, 178, 179, D27/180, 181, 182, 183, 184, 185, 186, D27/187, 188, 189, 190, 191, 192, 193, D27/194, 196; D29/125, 126, 129, 130; D22/112; D7/416, 500, 550.1

CPC A24F 40/10; A24F 40/40; A24F 40/42; A24F 40/44; A24F 40/60; A24F 40/53; A24F 40/70; A24F 40/57; A24F 40/20; A24F 40/30; A24F 47/00; A24F 7/00; A24F 13/00; A24F 13/14; A24F 1/32; A24F 47/002; A24F 15/015; A24F 13/06; A24F 40/48; A24F 13/04; A24F 40/00; A24F 40/90; A24F 42/80; A24F 40/485; A24F 40/46; A24F 47/008; A24F 40/05; A24F 40/465; A24F 1/00; A24F 7/02; A24F 9/16; A24F 40/50; A24F 40/65; A24F 40/51; A24F 40/95; A24F 40/49; A24F 42/60; A24F 1/02; A24F 2700/03; A24F 15/01; A24F 1/28; A24F 40/85; A24F 42/00; A24F 42/10; A24F 42/20; A24F 47/004; A24F 47/006; A24F 7/04; A24F 15/18; A24F 13/26; A24F 3/00; A24F 9/02; A24F 15/00; A24F 9/04; A24F 13/12; A24F 13/24; A24F 15/10;

A24F 17/00; A24F 1/30; A24F 21/00; A24F 23/00; A24F 25/00; A24F 27/00; A24F 5/00; F23Q 2/32; F23Q 2/36; F23Q 2/173; F23Q 2/287; F23Q 2/16; F23Q 2/50; F23Q 7/16; F23Q 2/161; F23Q 2/167; F23Q 2/02; F23Q 2/164; F23Q 2/42; F23Q

(Continued)

(56) **References Cited**

U.S. PATENT DOCUMENTS

D258,840 S * 4/1981 Plozner D7/416
D360,107 S * 7/1995 Segawa D27/141

(Continued)

FOREIGN PATENT DOCUMENTS

CN 201130023945 * 8/2011

Primary Examiner — Marissa J Cash

Assistant Examiner — William B Melliar

(74) *Attorney, Agent, or Firm* — Raymond Y. Chan; David and Raymond Patent Firm

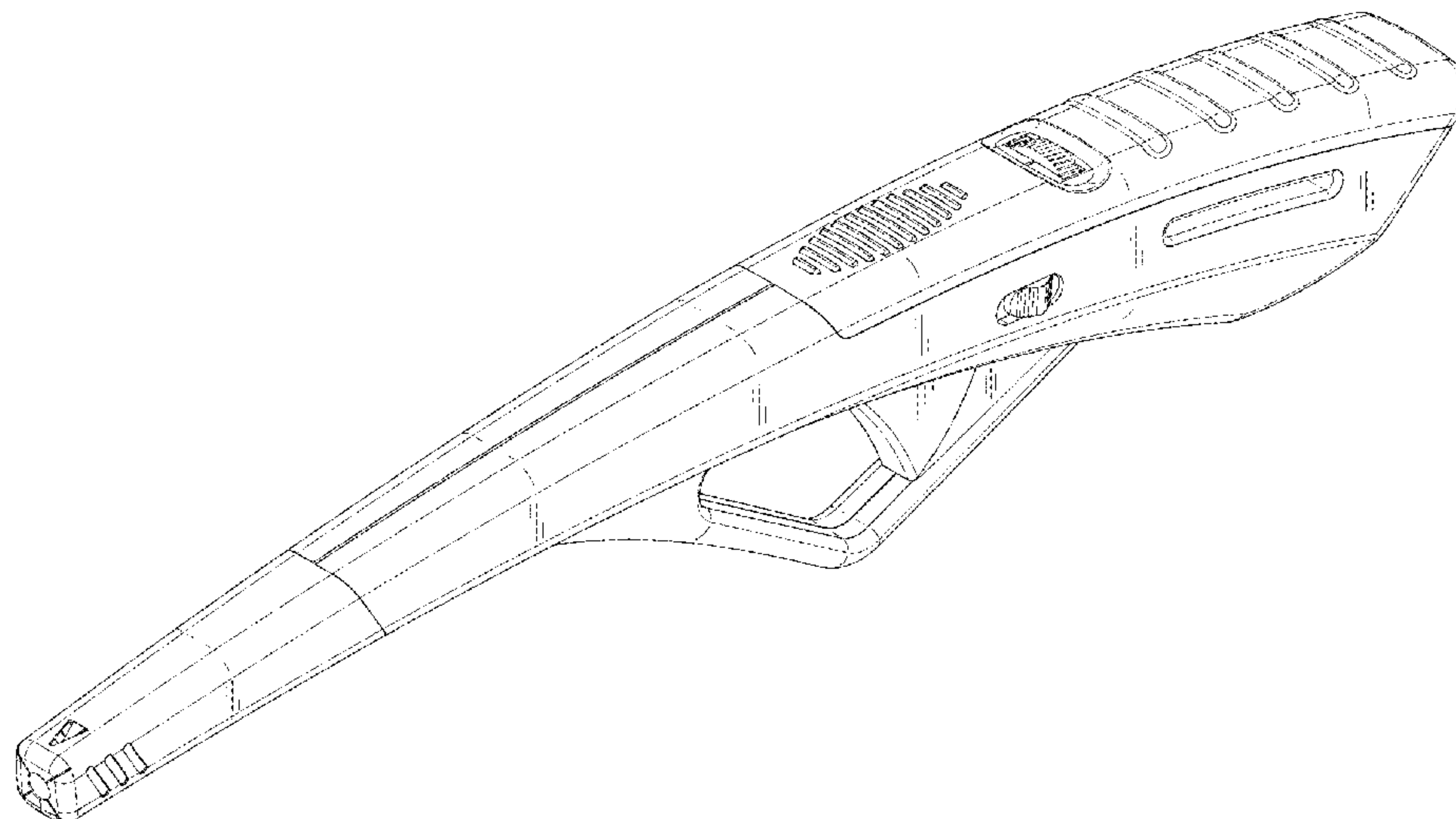
(57) **CLAIM**

The ornamental design for an BBQ lighter, as shown and described.

DESCRIPTION

FIG. 1 is a perspective view of the BBQ lighter showing my new design;
FIG. 2 is a right view thereof;
FIG. 3 is a left view thereof;
FIG. 4 is a top view thereof;
FIG. 5 is a bottom view thereof;
FIG. 6 is a front view thereof; and,
FIG. 7 is a rear view thereof.
The broken lines in the drawings depict portions of the BBQ lighter that form no part of the claimed design.

1 Claim, 6 Drawing Sheets



(58) **Field of Classification Search**

CPC 2/40; F23Q 3/002; F23Q 3/01; F23Q 7/14;
 F23Q 7/22; F23Q 1/06; F23Q 2/06; F23Q
 2/38; F23Q 13/005; F23Q 13/04; F23Q
 2/165; F23Q 2/28; F23Q 2/285; F23Q
 2/325; F23Q 2/345; F23Q 2/44; F23Q
 3/00; F23Q 3/006; F23Q 7/04; F23Q
 7/00; F23C 7/00

See application file for complete search history.

(56) **References Cited**

U.S. PATENT DOCUMENTS

D382,442 S *	8/1997	Ferrara, Jr.	D7/416
D390,749 S *	2/1998	Ferrara, Jr.	D27/154
D390,750 S *	2/1998	Sung	D27/154
D469,305 S *	1/2003	Saito	D7/416
D472,765 S *	4/2003	Deffner	D27/147
D477,748 S *	7/2003	Deffner	D7/416
D482,932 S *	12/2003	Sher	D7/416
D495,205 S *	8/2004	Zhou	D7/416
D498,978 S *	11/2004	Yang	D7/416
D729,575 S *	5/2015	Hu	D7/416
D759,298 S *	6/2016	Ichikawa	D27/141
D835,336 S *	12/2018	Luo	D27/154
D848,670 S *	5/2019	Bao	D27/154
D851,453 S *	6/2019	Luo	D7/416
D881,453 S *	4/2020	Chen	D27/141
D890,415 S *	7/2020	Luo	D27/141

* cited by examiner

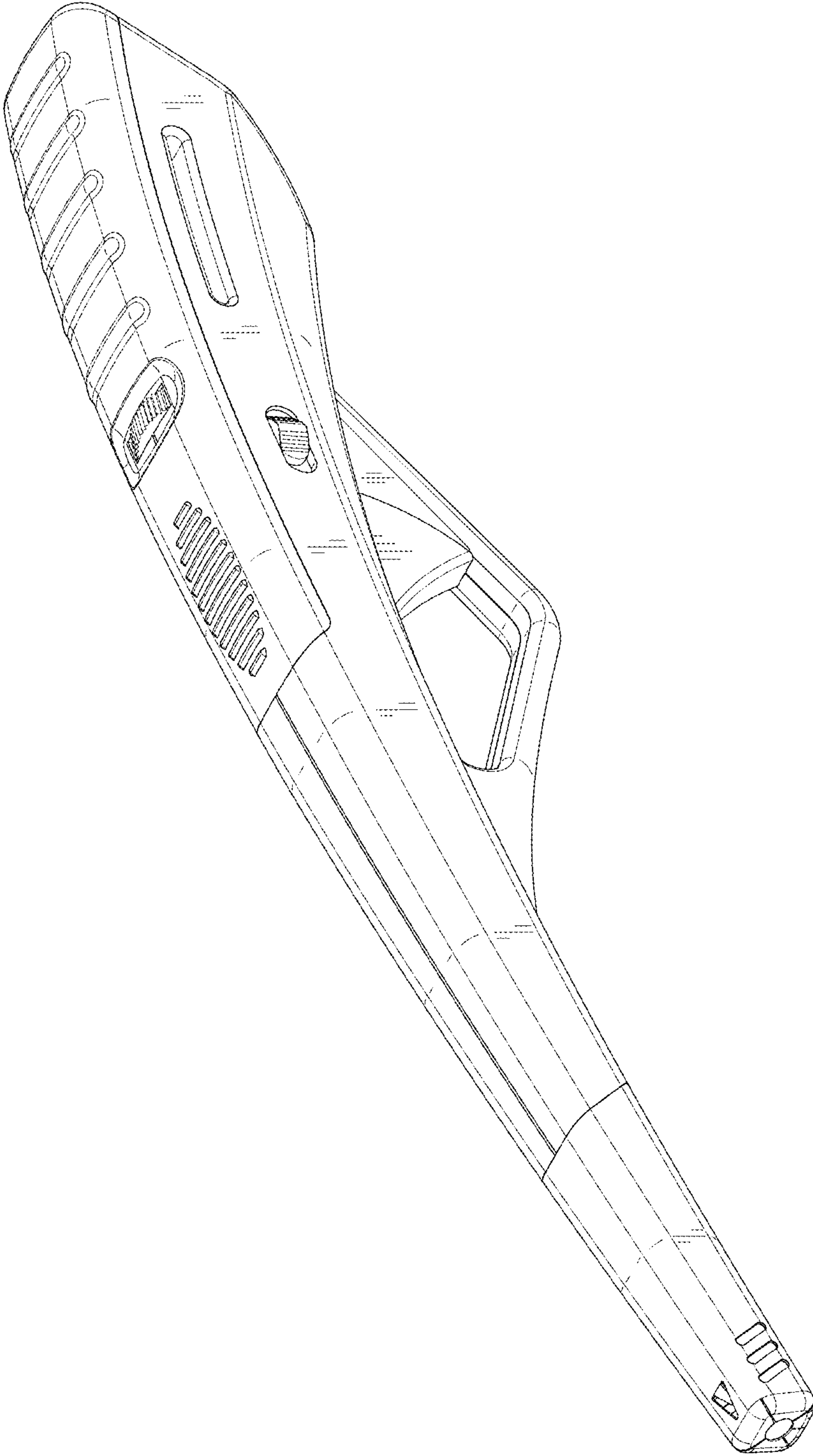


FIG 1

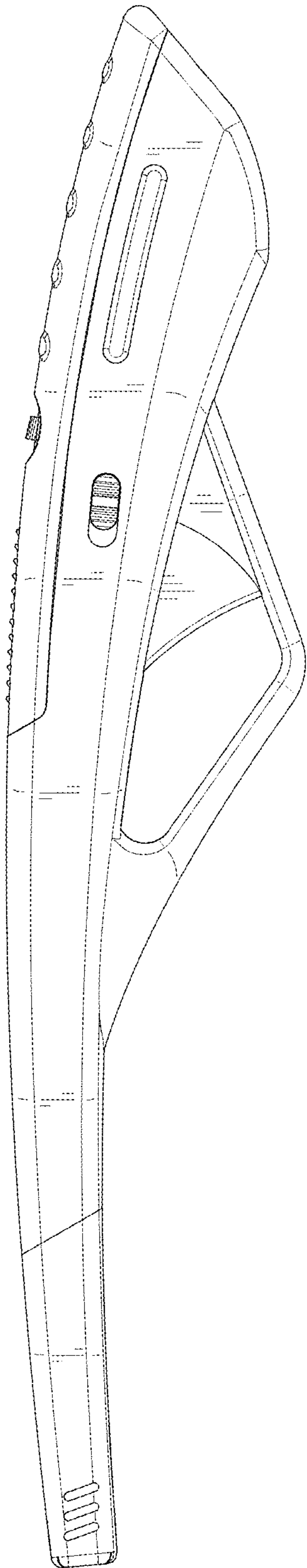


FIG 2

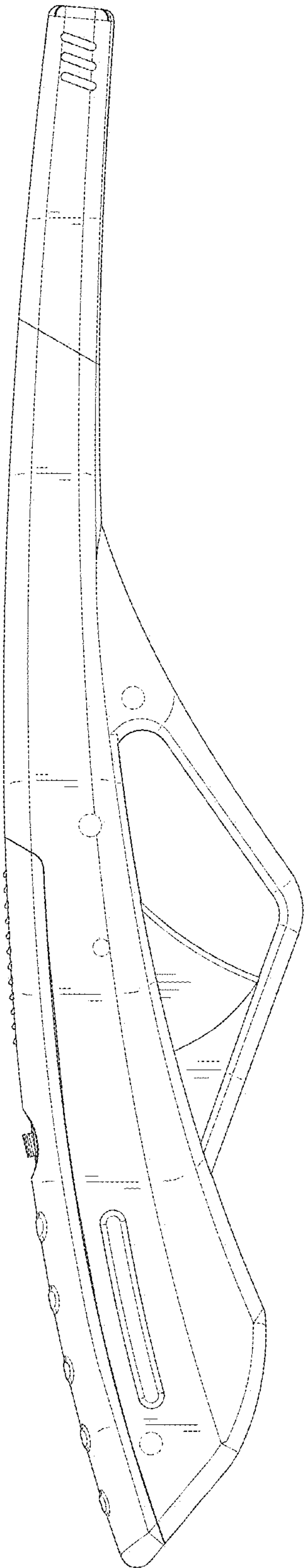


FIG 3

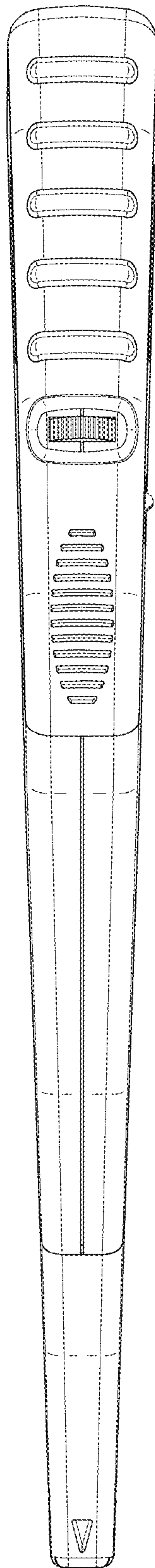


FIG 4

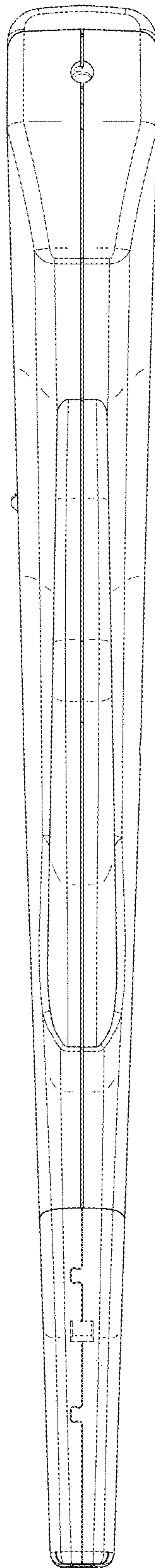


FIG 5

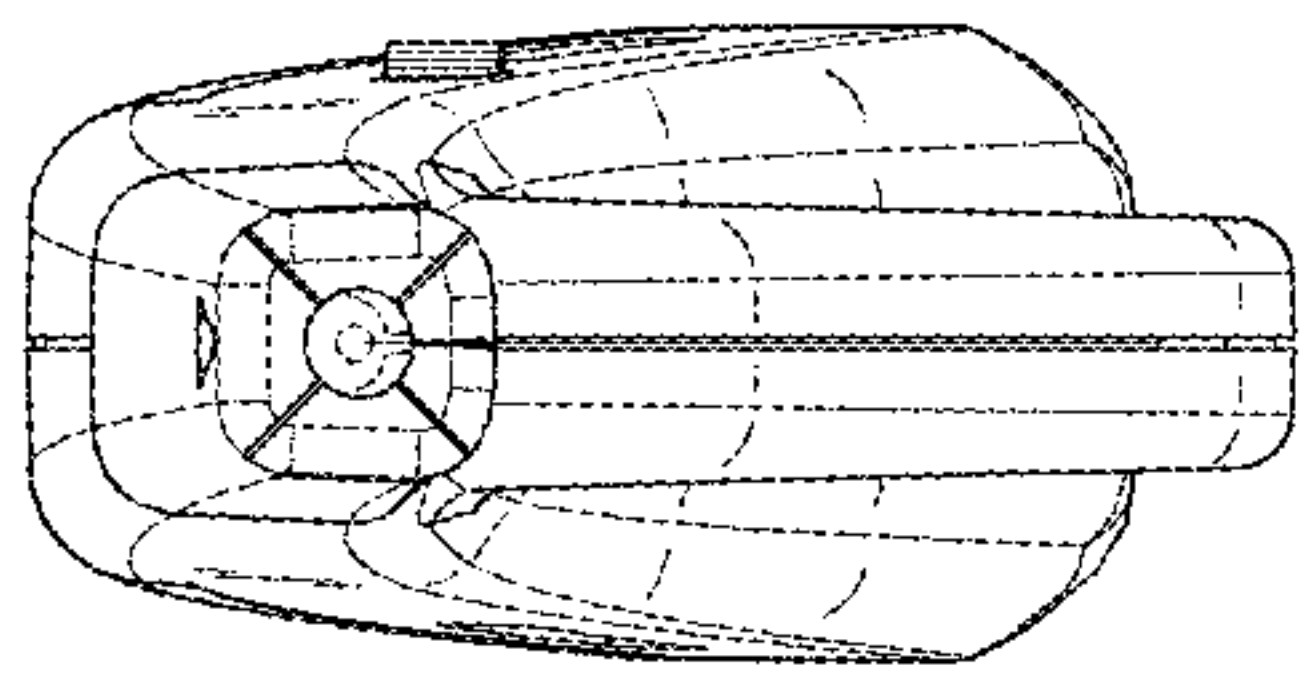


FIG 6

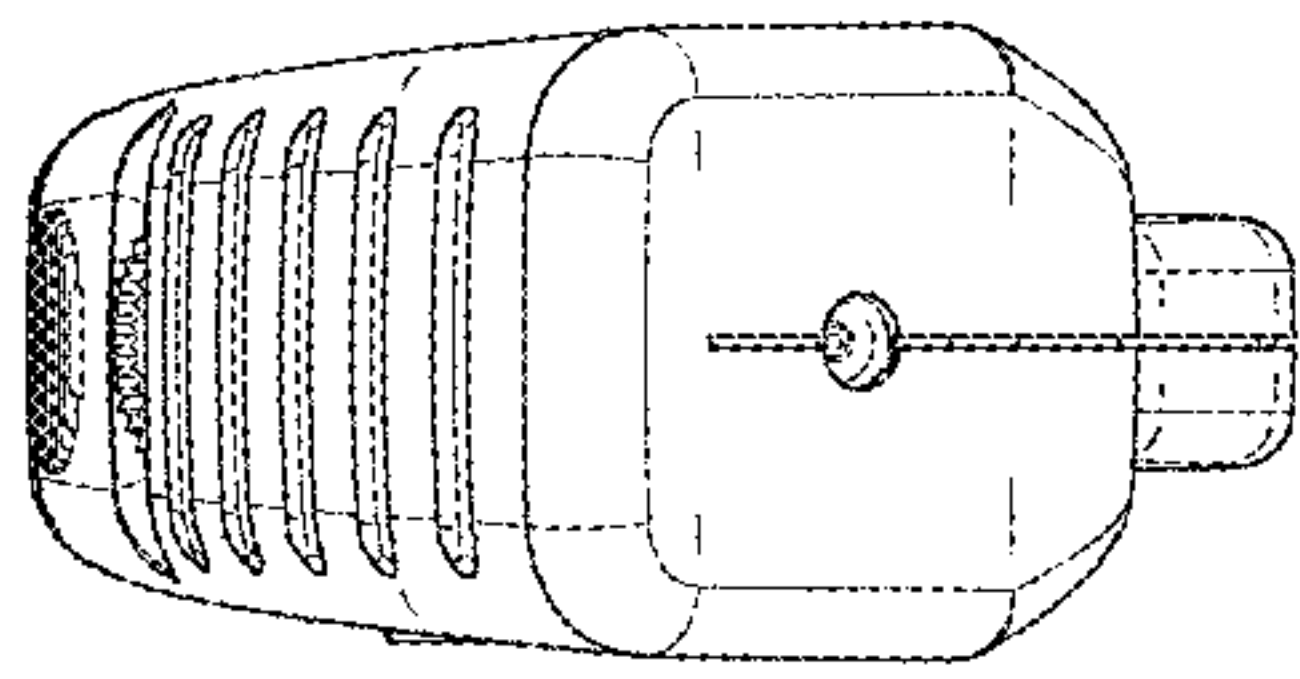


FIG 7