



US00D945691S

(12) **United States Design Patent**
Zhou

(10) **Patent No.:** **US D945,691 S**
(45) **Date of Patent:** **** Mar. 8, 2022**

(54) **LENS REFLECTOR CUP LED GROW LIGHT**

(71) Applicant: **ZHONGSHAN KORAY OPTO-ELECTRONIC CO., LTD**, Zhongshan (CN)

(72) Inventor: **Zhao-Hua Zhou**, Zhongshan (CN)

(73) Assignee: **ZHONGSHAN KORAY OPTO-ELECTRONIC CO., LTD**, Zhongshan (CN)

(**) Term: **15 Years**

(21) Appl. No.: **29/713,597**

(22) Filed: **Nov. 18, 2019**

(30) **Foreign Application Priority Data**

Aug. 1, 2019 (CN) 201930416270.4

(51) **LOC (13) Cl.** **26-05**

(52) **U.S. Cl.**
USPC **D26/120; D26/83**

(58) **Field of Classification Search**
USPC D10/111-115; D26/24, 35, 59, 60, D26/63-67, 69, 72, 74, 76, 78, 80-90, D26/113, 118, 119, 120, 121, 135, 138, D26/141, 142
CPC F21S 8/00; F21S 8/02; F21S 8/03; F21S 8/026; F21S 8/036; F21S 8/04; F21S 8/043; F21S 8/086; A01G 7/045; F21Y 2115/10
See application file for complete search history.

(56) **References Cited**

U.S. PATENT DOCUMENTS

D440,513 S * 4/2001 Smith D10/114.3
D615,236 S * 5/2010 Beghelli D26/74
D629,558 S * 12/2010 Little, Jr. D26/120
D643,961 S * 8/2011 Mancini D26/83

D655,446 S * 3/2012 Sabernig D26/113
D655,447 S * 3/2012 Sabernig D26/113
D672,913 S * 12/2012 Lin D26/120
D677,421 S * 3/2013 Lin D26/120
D677,422 S * 3/2013 Lin D26/120
D775,394 S * 12/2016 Couckhuyt D26/80
D855,246 S * 7/2019 Heiner D26/118
D857,980 S * 8/2019 Schweid D26/120
D860,501 S * 9/2019 Heiner D26/76
D877,969 S * 3/2020 Santoro D26/124
D887,626 S * 6/2020 Zou D26/120
D923,238 S * 6/2021 Palm D26/118
D923,239 S * 6/2021 Palm D26/118
D927,760 S * 8/2021 Cao D26/76
D928,388 S * 8/2021 Xu D26/118
2009/0290345 A1 * 11/2009 Shaner F21V 25/12
362/249.01
2018/0206411 A1 * 7/2018 Chen H05B 45/20
(Continued)

OTHER PUBLICATIONS

G45 series LED grow Light (available online) Retrieved from the internet Oct. 15, 2021 from URL: <https://koraylights.com/product/g45-series-led-grow-light-horticulture-led-module/>*

Primary Examiner — Richard Kearney
(74) *Attorney, Agent, or Firm* — W&KIP

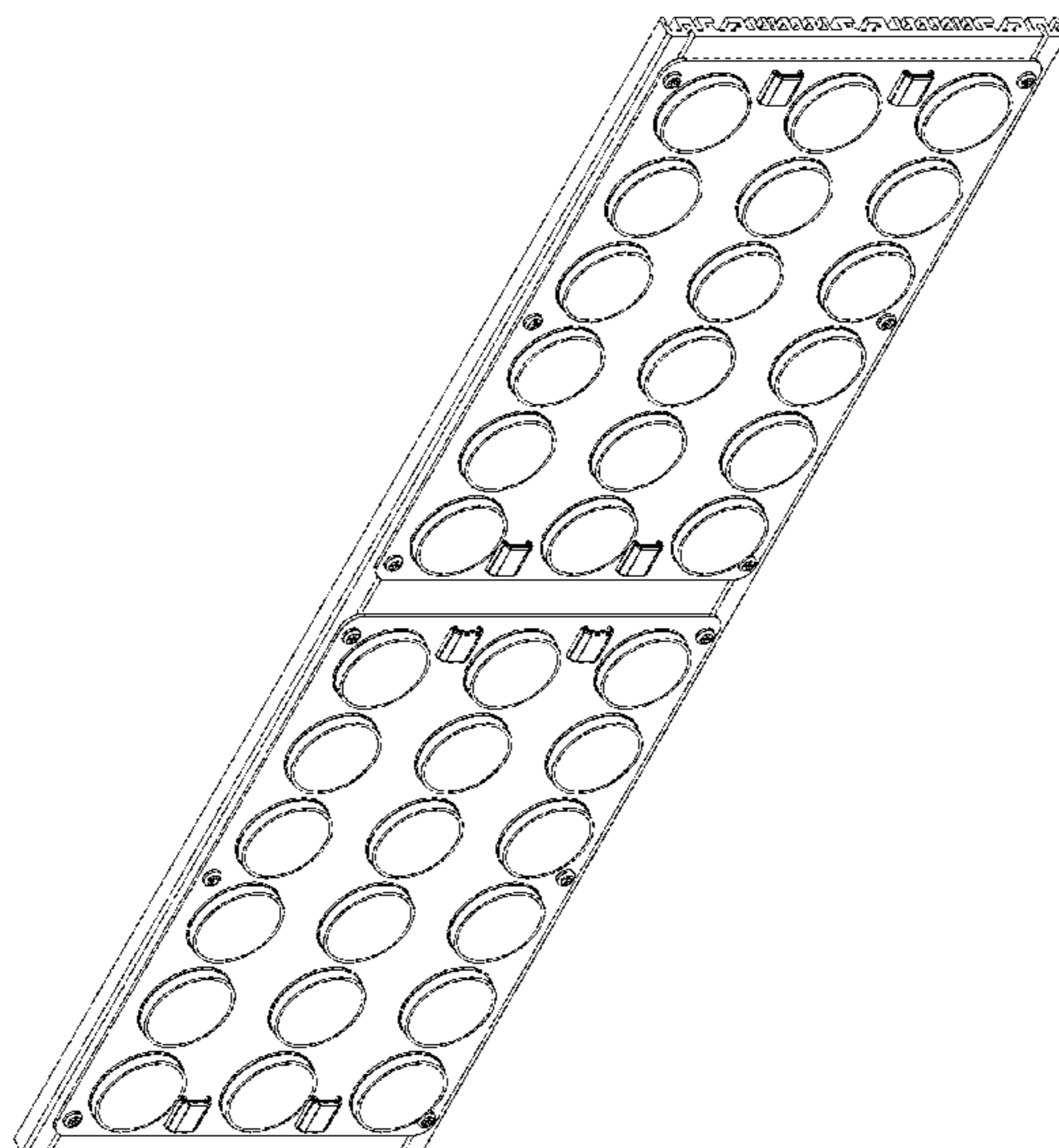
(57) **CLAIM**

The ornamental design for a lens reflector cup LED grow light, as shown and described.

DESCRIPTION

FIG. 1 is a perspective view of a lens reflector cup LED grow light thereof;
FIG. 2 is a front elevational view thereof;
FIG. 3 is a top plan view thereof;
FIG. 4 is a left side elevational view thereof;
FIG. 5 is a rear elevational view thereof;
FIG. 6 is a right side view thereof; and,
FIG. 7 is a bottom plan view thereof.

1 Claim, 7 Drawing Sheets



(56)

References Cited

U.S. PATENT DOCUMENTS

2020/0323057 A1* 10/2020 Adams H05B 45/56
2021/0293391 A1* 9/2021 Weijers F21K 9/64

* cited by examiner

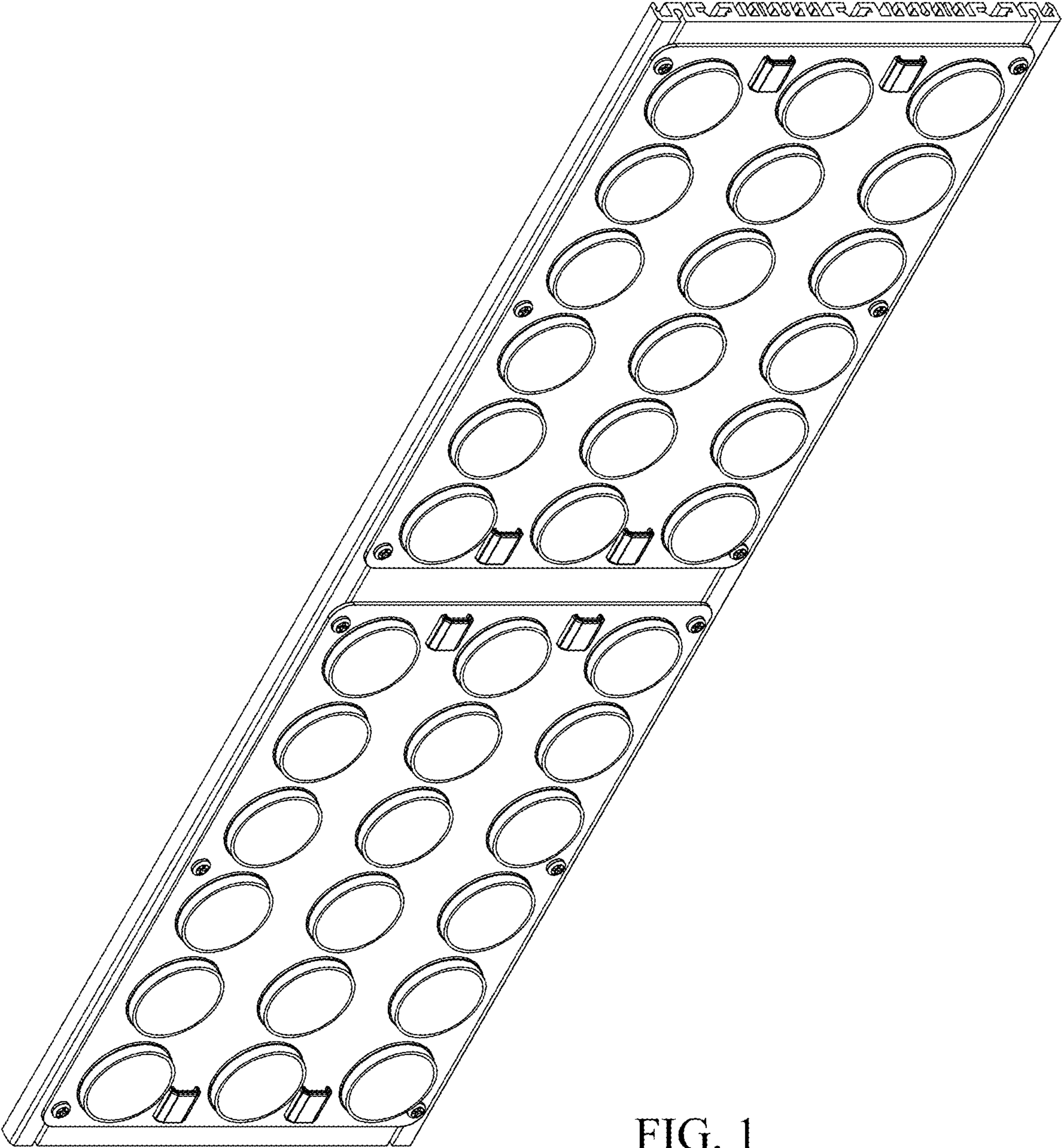


FIG. 1

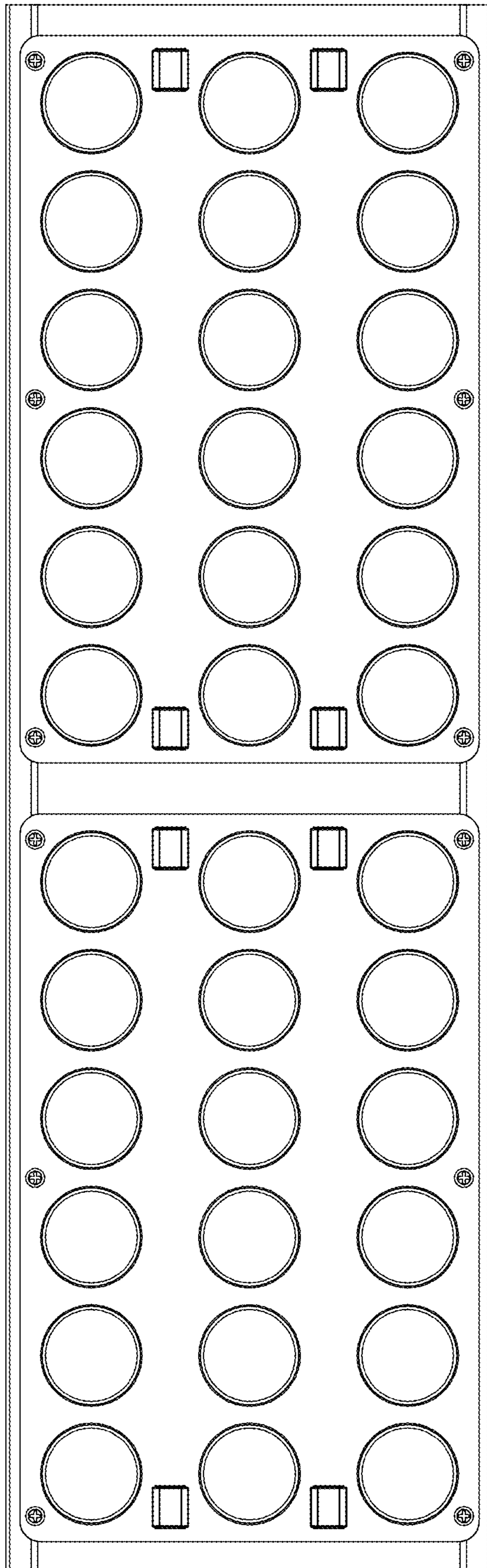


FIG. 2

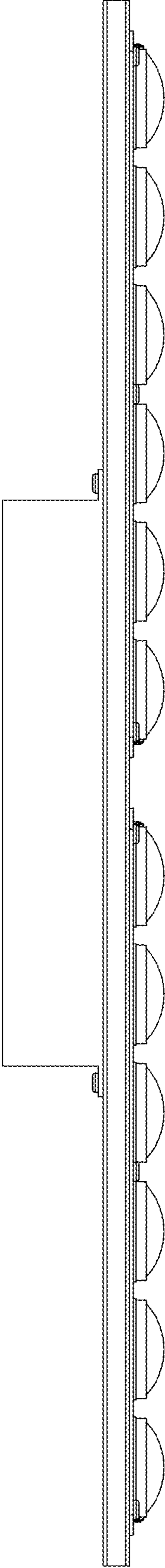


FIG. 3

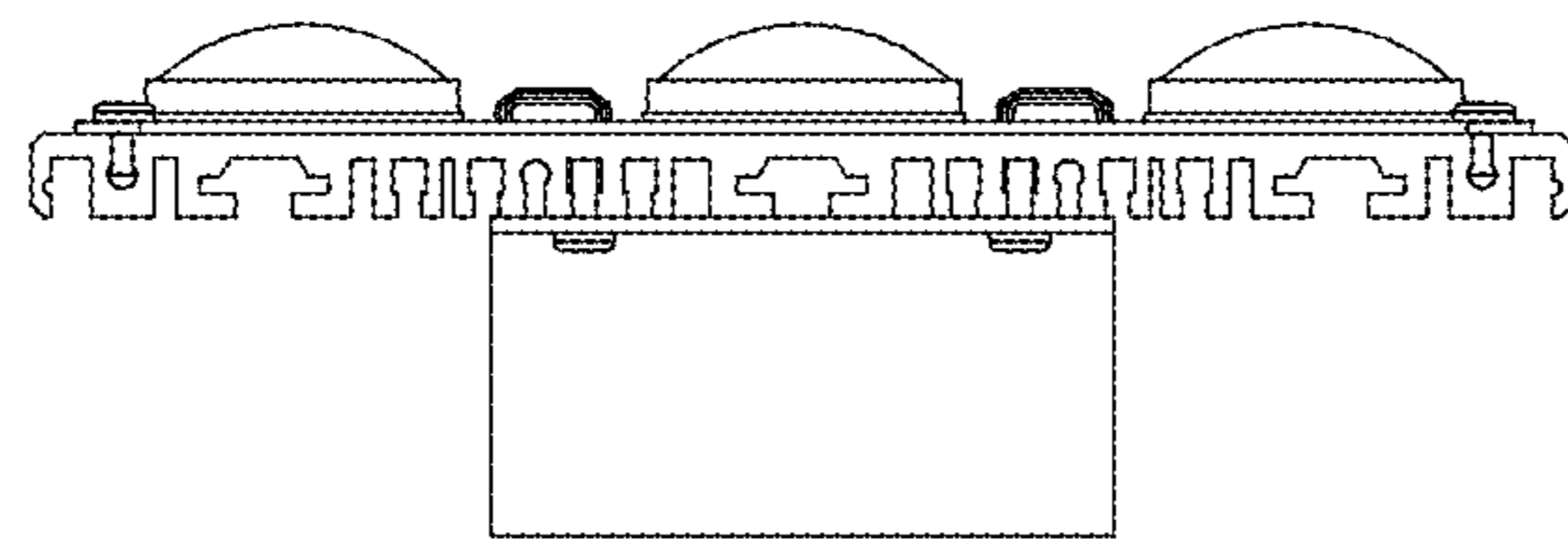


FIG. 4

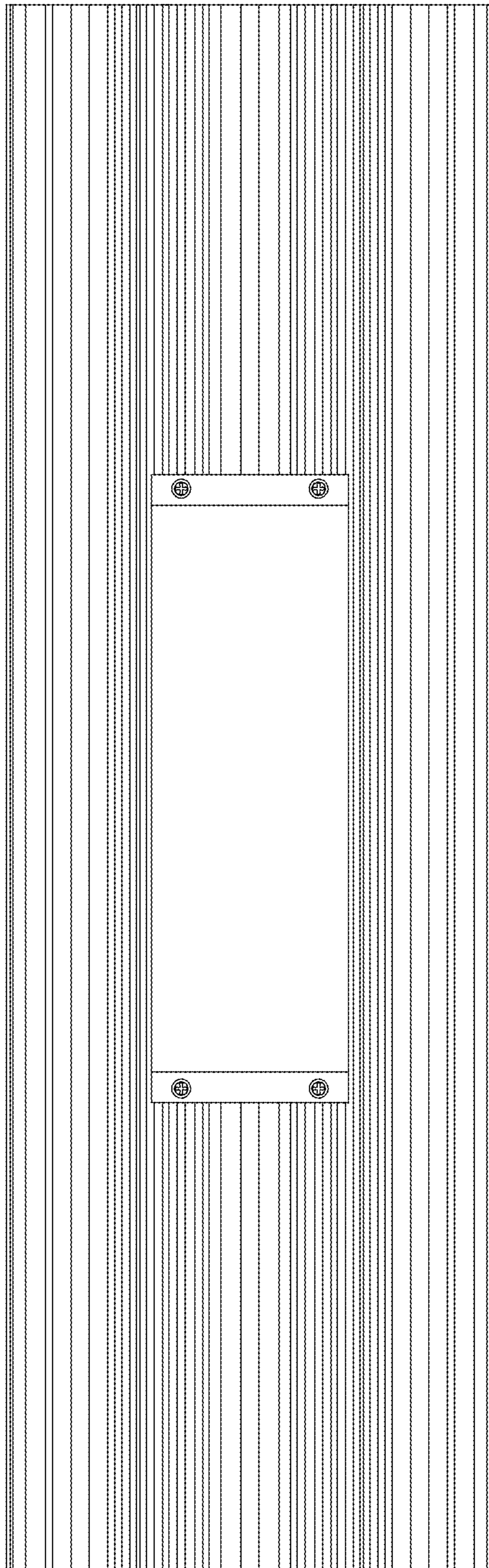


FIG. 5

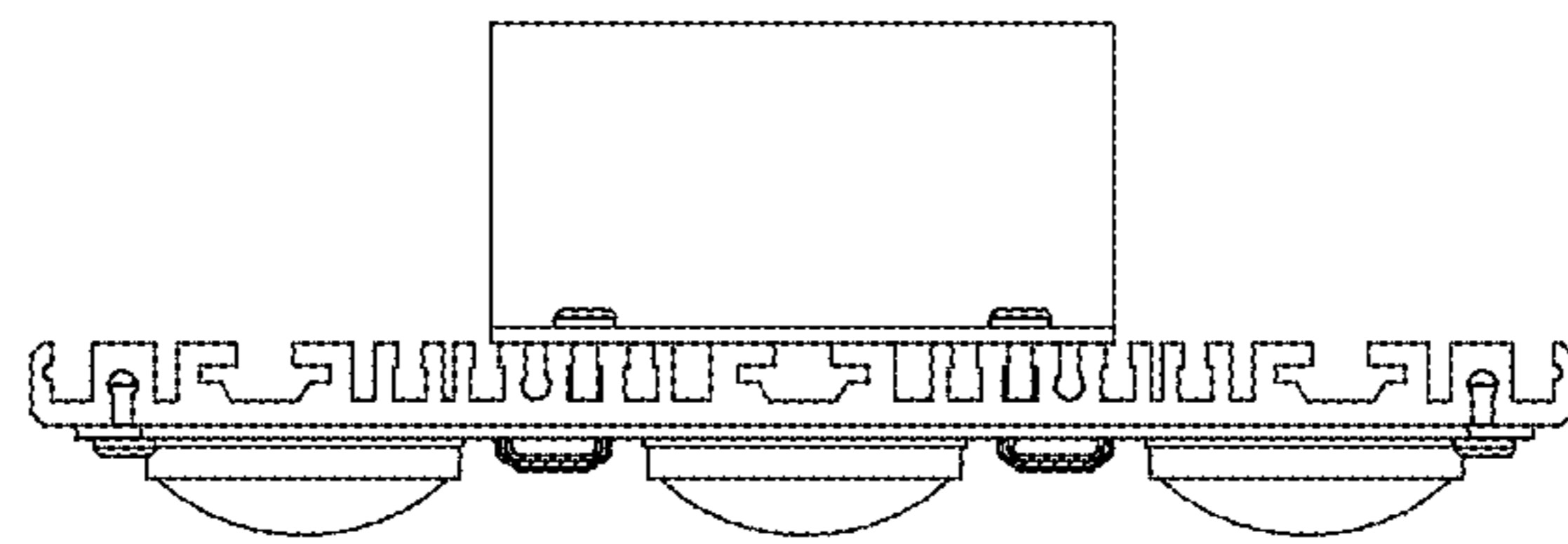


FIG. 6

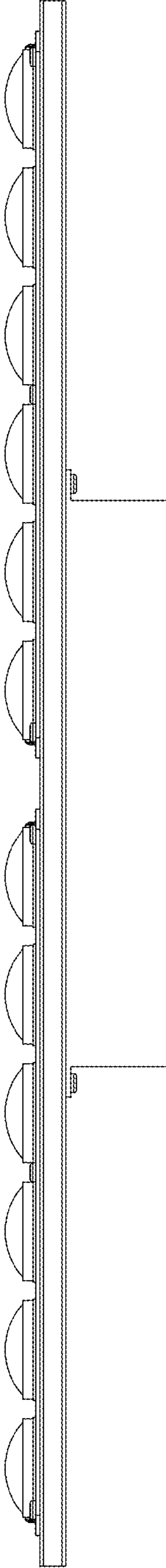


FIG. 7