



US00D945690S

(12) **United States Design Patent**
Burkhart

(10) **Patent No.:** **US D945,690 S**
(45) **Date of Patent:** **** Mar. 8, 2022**

- (54) **CULTIVATION LAMP**
- (71) Applicant: **Luxx Lighting, Inc.**, Mira Loma, CA (US)
- (72) Inventor: **Brandon Burkhart**, Mira Loma, CA (US)
- (73) Assignee: **Luxx Lighting, Inc.**, Mira Loma, CA (US)
- (**) Term: **15 Years**
- (21) Appl. No.: **29/680,033**
- (22) Filed: **Feb. 12, 2019**
- (51) **LOC (13) Cl.** **26-05**
- (52) **U.S. Cl.**
USPC **D26/118**
- (58) **Field of Classification Search**
USPC D26/2, 28, 60, 72, 89, 104, 113, 118,
D26/119-120, 122, 128, 138
CPC . A63H 30/04; F21Y 2103/00; F21Y 2101/02;
F21V 29/006; F21V 27/00; F21V 21/14;
F21V 21/005; F21V 15/015; F21V 21/04;
F21V 21/041; F21V 7/005; F21S 8/04;
F21S 2/005; F21S 2/00; F21S 8/02; F21S
8/026
See application file for complete search history.

D748,849 S * 2/2016 Stanley D26/118
D750,316 S * 2/2016 Reynolds D26/118
D751,244 S * 3/2016 Reynolds D26/118
(Continued)

FOREIGN PATENT DOCUMENTS

CN 303234272 * 6/2015
CN 303607685 * 3/2016

OTHER PUBLICATIONS

luxxlighting.com: Luxx DE 1000w HPS 208-277v. Undated online product page. Retrieved on Dec. 22, 2020 from <https://www.luxxlighting.com/1000w-de-hps> (Year: 2020).*
(Continued)

Primary Examiner — Leanne Was-Englehart
(74) *Attorney, Agent, or Firm* — Dorsey & Whitney LLP

(57) **CLAIM**

I claim the ornamental design for a cultivation lamp, substantially as shown and described herein.

DESCRIPTION

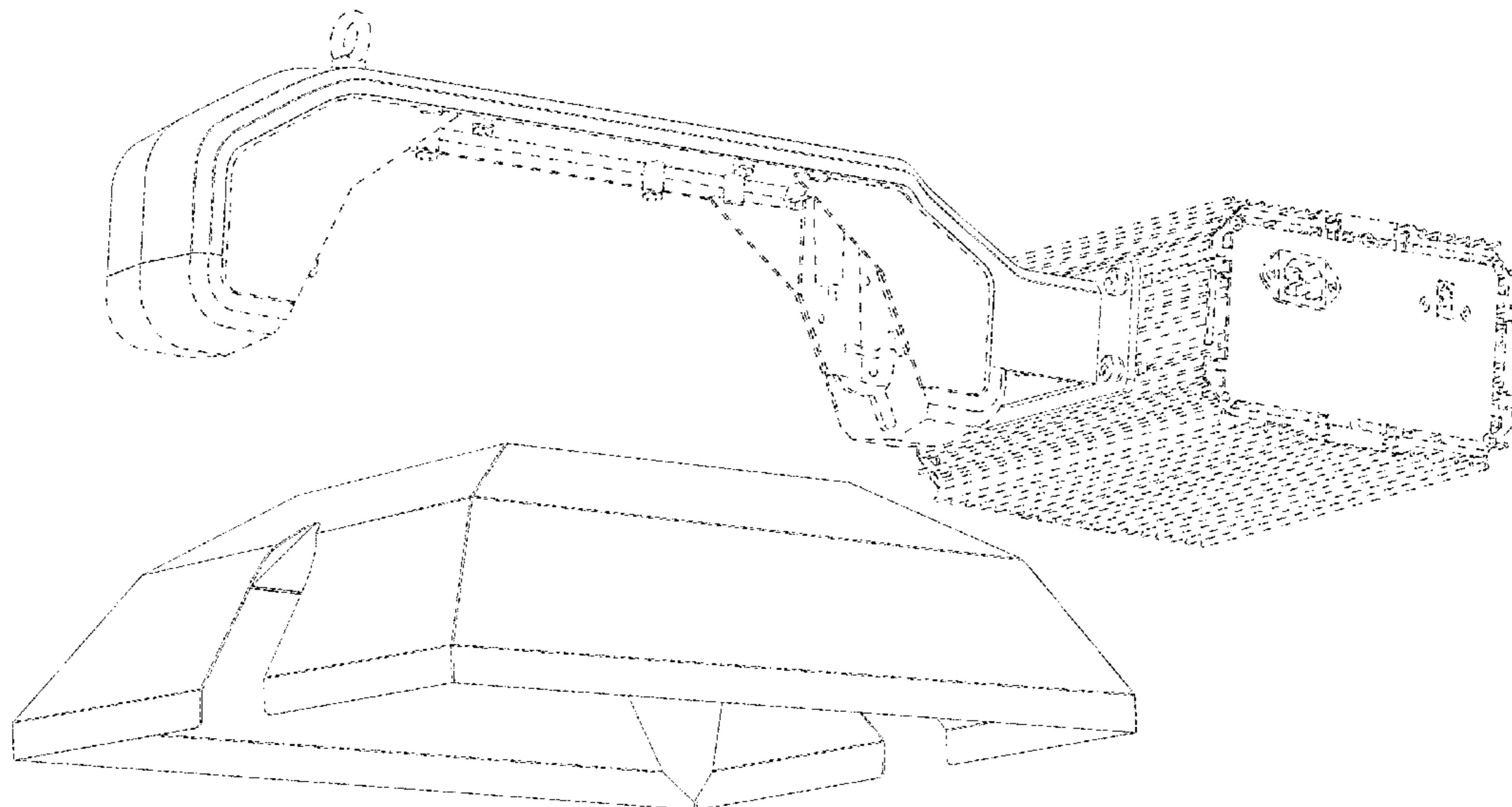
FIG. 1 is a top front left perspective view of a cultivation lamp, showing my new design;
FIG. 2 is a top rear left perspective view thereof;
FIG. 3 is a bottom rear left perspective view thereof;
FIG. 4 is a top front perspective view thereof;
FIG. 5 is a top rear perspective view thereof;
FIG. 6 is a bottom rear perspective view thereof;
FIG. 7 is a bottom front perspective view thereof;
FIG. 8 is a rear left perspective view thereof, in partially disassembled condition; and,
FIG. 9 is a front left perspective view thereof, in partially disassembled condition.
The dashed lines in FIGS. 1 through 9 illustrate portions of the cultivation lamp that form no part of the claimed design.

1 Claim, 9 Drawing Sheets

(56) **References Cited**

U.S. PATENT DOCUMENTS

- 7,734,040 B1 * 6/2010 Ayres, III H04M 19/06
379/451
- D634,060 S * 3/2011 Wardenburg D26/118
- D731,701 S * 6/2015 Hargreaves D26/118
- D736,450 S * 8/2015 Reynolds D26/118
- D737,498 S * 8/2015 Stanley D26/118
- D740,486 S * 10/2015 Stanley D26/118
- D747,029 S * 1/2016 Reynolds D26/118
- D747,538 S * 1/2016 Hargreaves D26/118
- D747,825 S * 1/2016 Reynolds D26/118



(56)

References Cited

U.S. PATENT DOCUMENTS

D751,245 S * 3/2016 Stanley D26/118
 D751,247 S * 3/2016 Reynolds D26/118
 D757,346 S * 5/2016 Stanley D26/118
 D762,320 S * 7/2016 Reynolds D26/72
 D765,306 S * 8/2016 Wardenburg D26/118
 D769,514 S * 10/2016 Reynolds D26/118
 D775,405 S * 12/2016 Stanley D26/118
 D775,406 S * 12/2016 Hargreaves D26/118
 D775,760 S * 1/2017 Reynolds D26/118
 D786,491 S * 5/2017 Reynolds D26/118
 D796,728 S * 9/2017 Reynolds D26/118
 D797,350 S * 9/2017 Reynolds D26/118
 D797,351 S * 9/2017 Stanley D26/118
 D797,352 S * 9/2017 Stanley D26/118
 D797,353 S * 9/2017 Stanley D26/118
 D802,826 S * 11/2017 Stanley D26/118
 D802,828 S * 11/2017 Stanley D26/118
 D802,829 S * 11/2017 Reynolds D26/118
 D802,831 S * 11/2017 Reynolds D26/118
 D804,706 S * 12/2017 Stanley D26/118
 D804,707 S * 12/2017 Reynolds D26/118
 D804,710 S * 12/2017 Stanley D26/118
 D811,647 S * 2/2018 Stanley D26/118
 D812,282 S * 3/2018 Reynolds D26/72
 D814,687 S * 4/2018 Stanley D26/118
 D822,882 S * 7/2018 Reynolds D26/118
 D822,883 S * 7/2018 Stanley D26/118
 D825,096 S * 8/2018 Reynolds D26/118
 D825,826 S * 8/2018 Stanley D26/118
 D825,827 S * 8/2018 Stanley D26/118
 D825,828 S * 8/2018 Reynolds D26/118
 D826,467 S * 8/2018 Reynolds D26/118
 D826,469 S * 8/2018 Reynolds D26/118
 D831,265 S * 10/2018 Stanley D26/118
 D837,442 S * 1/2019 Reynolds D26/118
 D838,033 S * 1/2019 Xiong D26/118
 D839,471 S * 1/2019 Reynolds D26/118
 D842,532 S * 3/2019 Reynolds D26/118
 D843,049 S * 3/2019 Stanley D26/118
 D843,640 S * 3/2019 Stanley D26/118
 D848,663 S * 5/2019 Reynolds D26/118
 D848,664 S * 5/2019 Reynolds D26/118
 D857,285 S * 8/2019 Reynolds D26/118
 D862,764 S * 10/2019 Deng D26/72
 D871,654 S * 12/2019 Reynolds D26/118
 D879,349 S * 3/2020 Li D26/63

D879,364 S * 3/2020 Stanley D26/118
 D879,365 S * 3/2020 Stanley D26/118
 D881,445 S * 4/2020 Reynolds D26/118
 D883,559 S * 5/2020 Wardenburg D26/118
 D894,469 S * 8/2020 Li D26/118
 D894,470 S * 8/2020 Reynolds D26/118
 D894,471 S * 8/2020 Stanley D26/118
 D895,891 S * 9/2020 Reynolds D26/118
 D897,028 S * 9/2020 Reynolds D26/118
 2009/0262540 A1 * 10/2009 Hargreaves A01G 9/26
 362/362
 2009/0310373 A1 * 12/2009 Burkhauser F21V 29/83
 362/373

OTHER PUBLICATIONS

luxxlighting.com: Luxx 630 CMH 120-277v. Undated online product page. Retrieved on Dec. 22, 2020 from <<https://www.luxxlighting.com/630w-cmh>> (Year: 2020).*

luxxlighting.com: Luxx 315w CMH 120-277. Undated online product page. Retrieved on Dec. 22, 2020 from <<https://www.luxxlighting.com/315w-cmh>> (Year: 2020).*

amazon.com: Lucius 1000W Grow Lighting Fixture. Date posted Feb. 23, 2020 [site visited Dec. 22, 2020]. Retrieved from internet, <https://www.amazon.com/Lighting-Dimmable-Completely-Controller-Reflectivity/dp/B0856ZTSH4/ref=sr_1_5?dchild=1&keywords=luxx+grow+light&qid=1608654451&sr=8-5 . . . > (Year: 2020).*

alibaba.com: Hydroponic Growing System 315W CMH Grow Light. Undated online product page. Retrieved on Dec. 22, 2020 from <https://www.alibaba.com/product-detail/Hot-Sale-Hydroponic-Growing-System-315W_1600074707507.html> (Year: 2020).*

alibaba.com: Greenhouse Lighting Ceramic Metal Halide Grow Light Lamp 315W CMH. Undated online product page. Retrieved on Dec. 22, 2020 from <https://www.alibaba.com/product-detail/Greenhouse-Lighting-Ceramic-Metal-Halide-Grow_60741099880.html?mark=google_shopping&src=sem_ggl&mark= . . . > (Year: 2020).*

1000bulbs.com: 315 Watt—Ceramic Metal Halide Reflector Kit. Undated online product page. Retrieved on Dec. 22, 2020 from <https://www.1000bulbs.com/product/175387/GROW-PHR31504KT.html?gclid=EAlaIQobChMlotb6_P7h7QIVQZ-GCh0hxQMEEAQYASABEgKpLPD_BwE> (Year: 2020).*

Luxx Lighting <https://www.luxxlighting.com/> Aug. 21, 2018 (Year: 2018).*

* cited by examiner

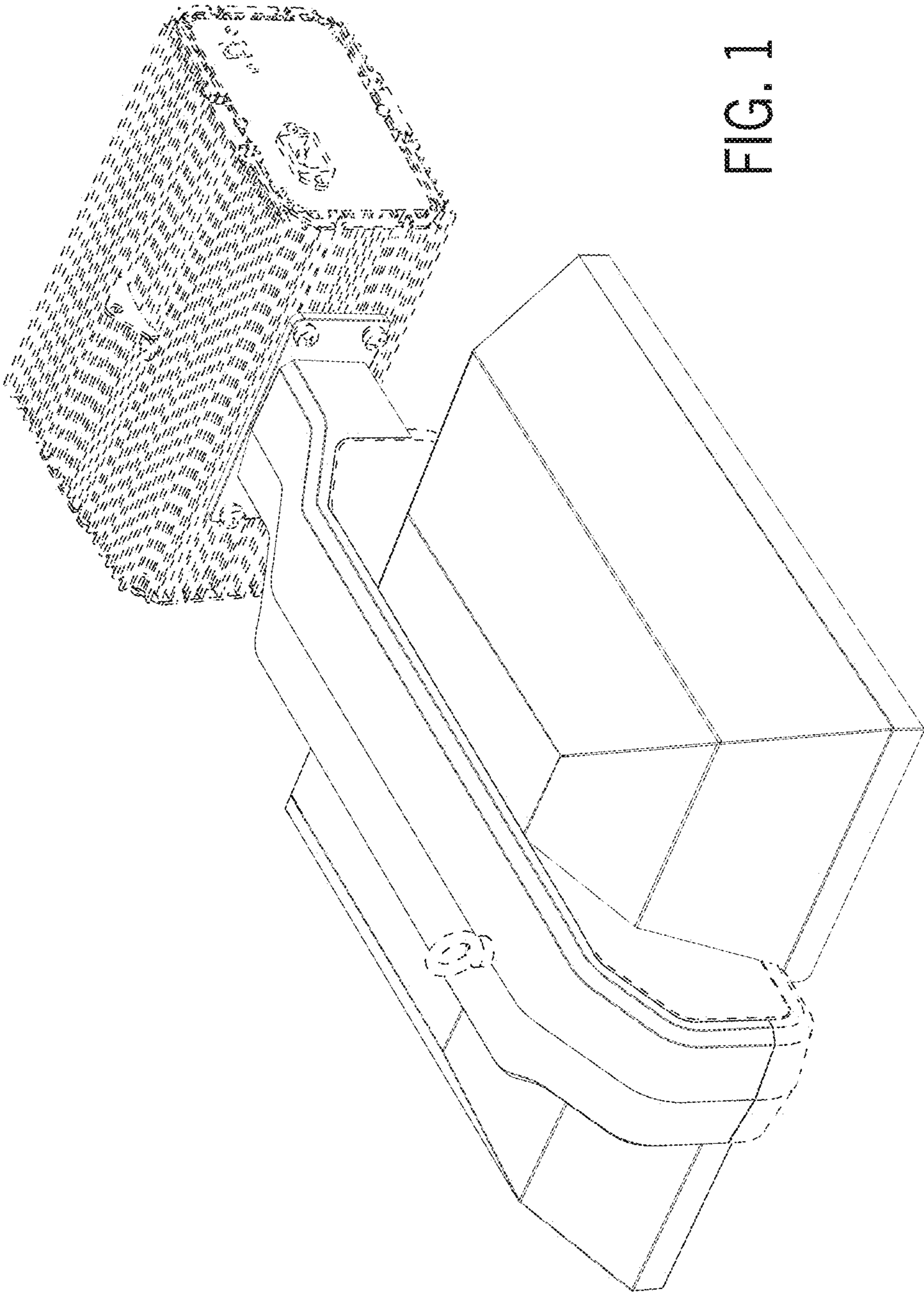


FIG. 1

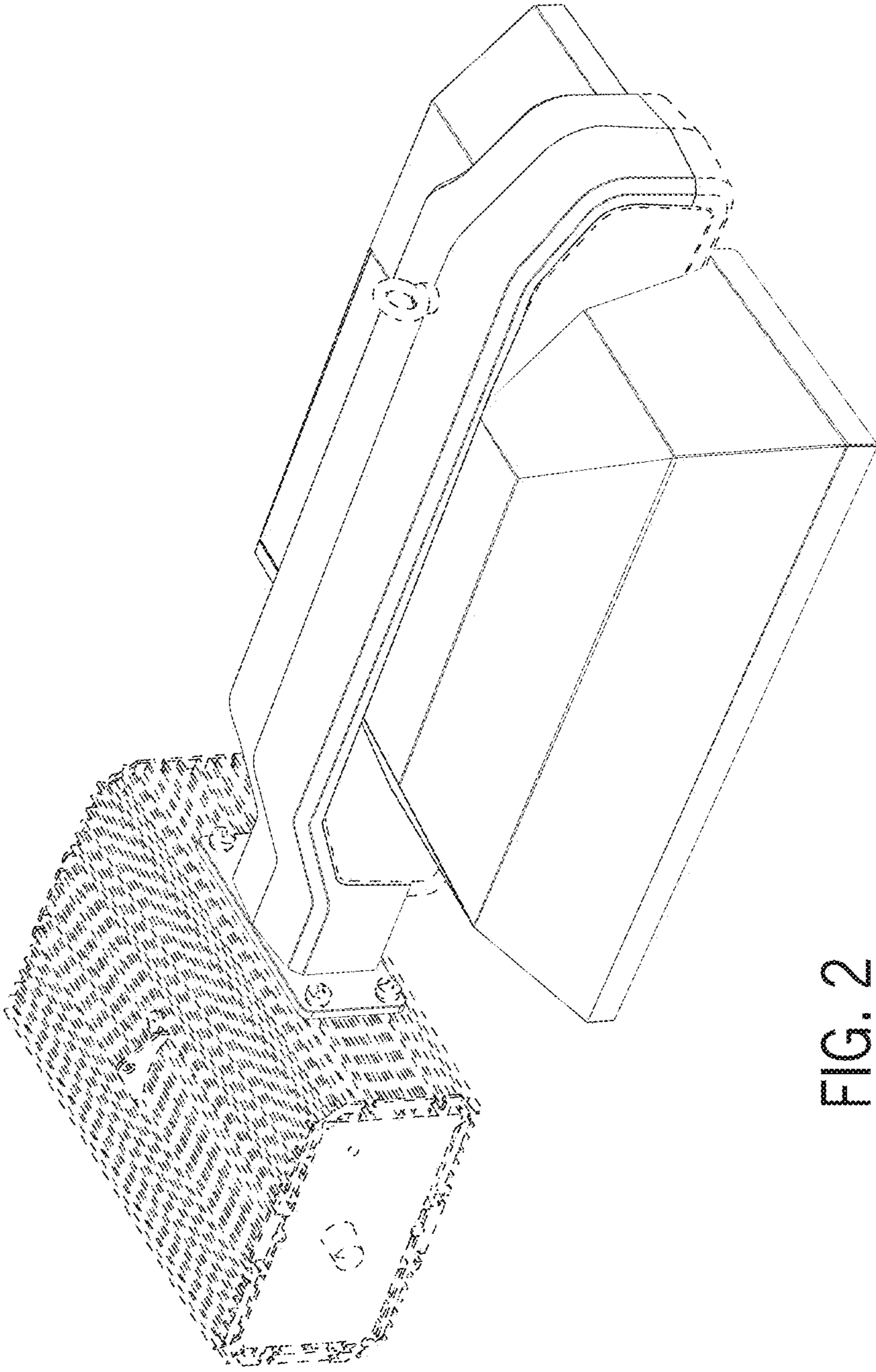


FIG. 2

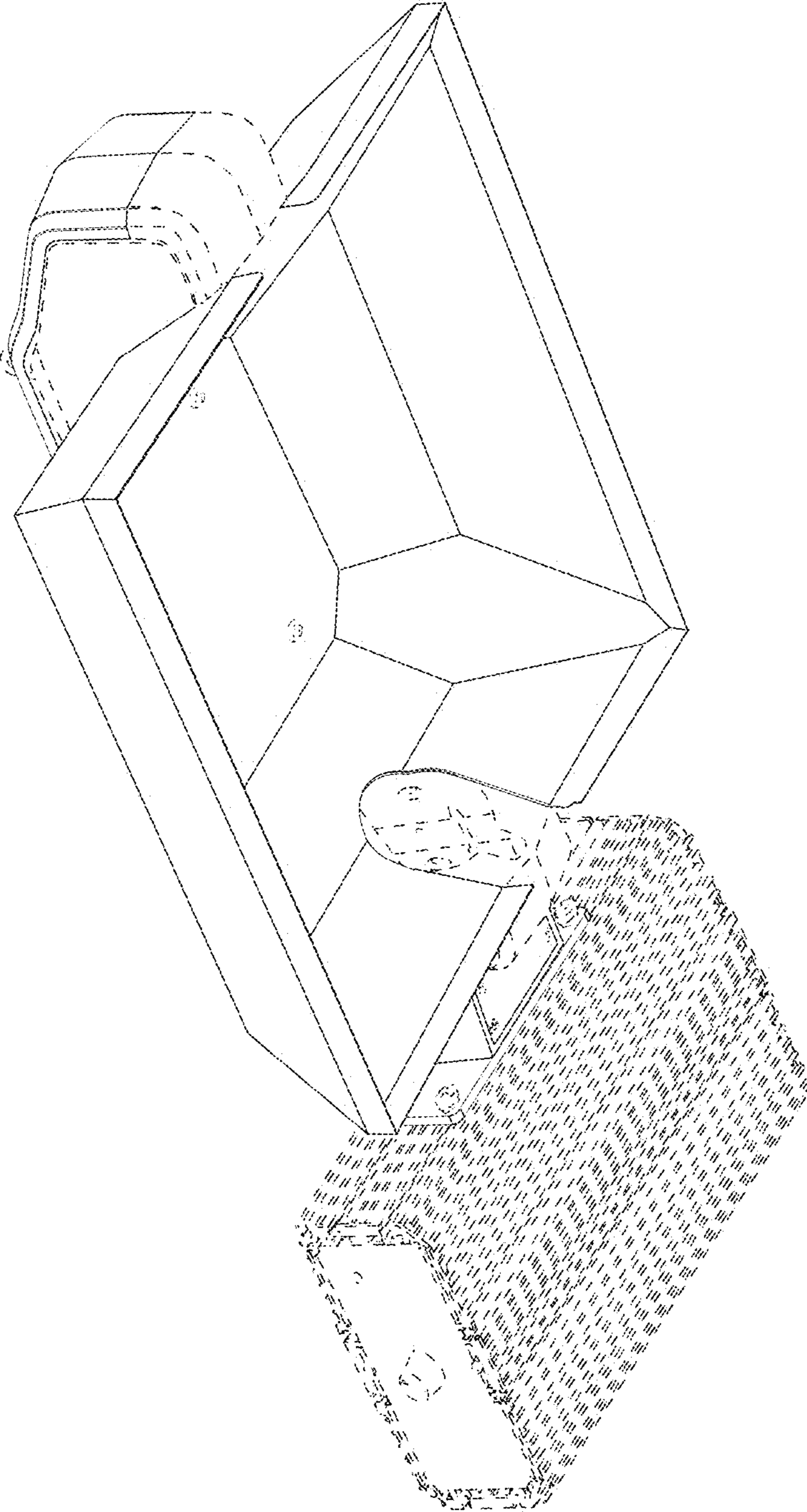


FIG. 3

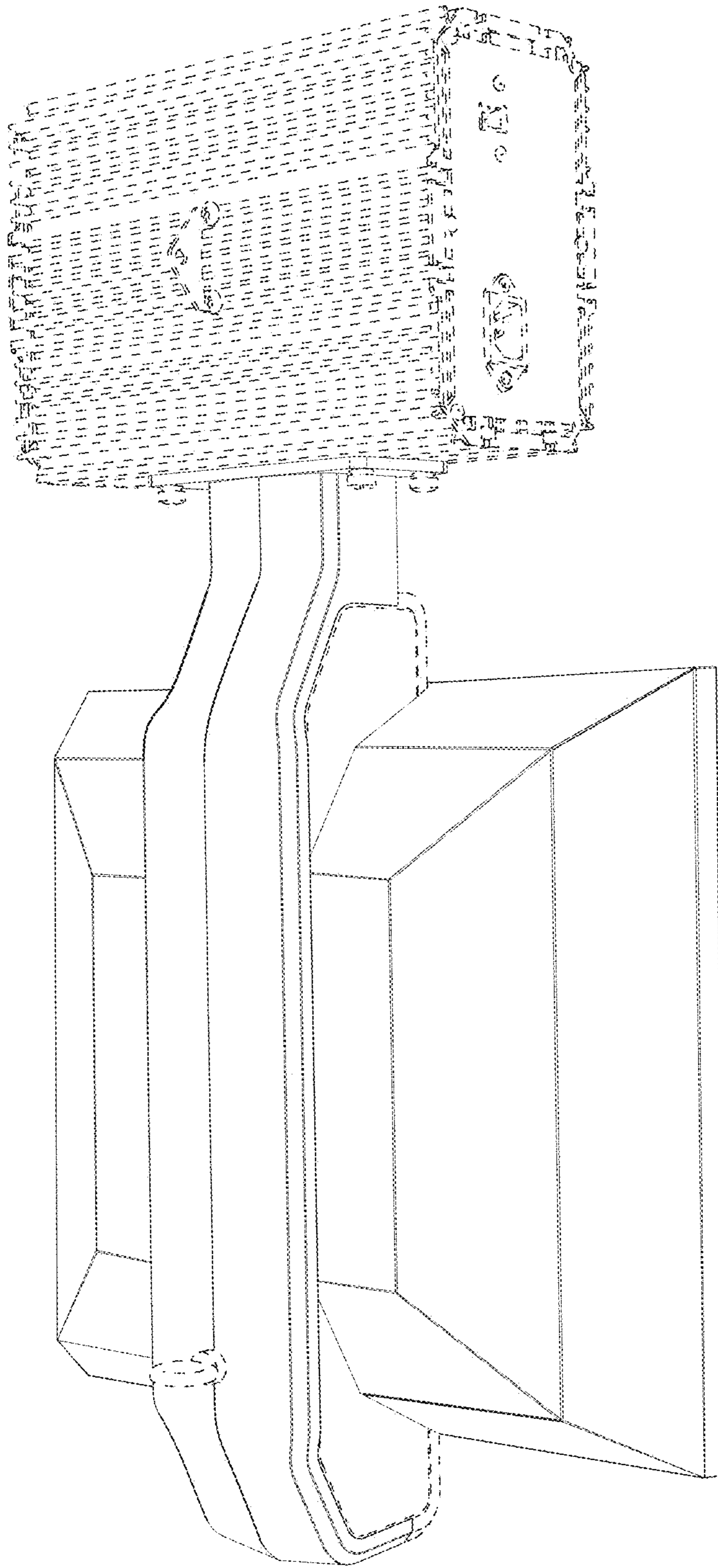


FIG. 4

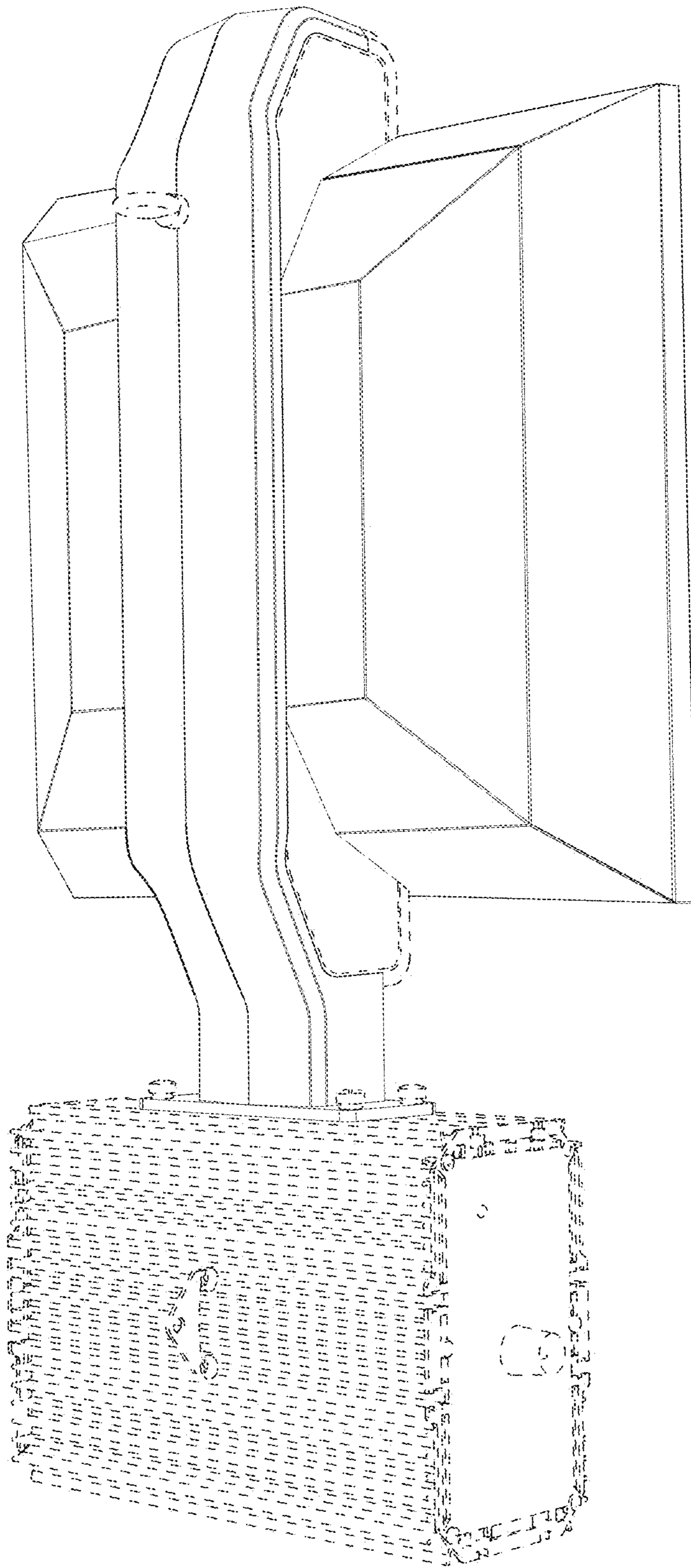


FIG. 5

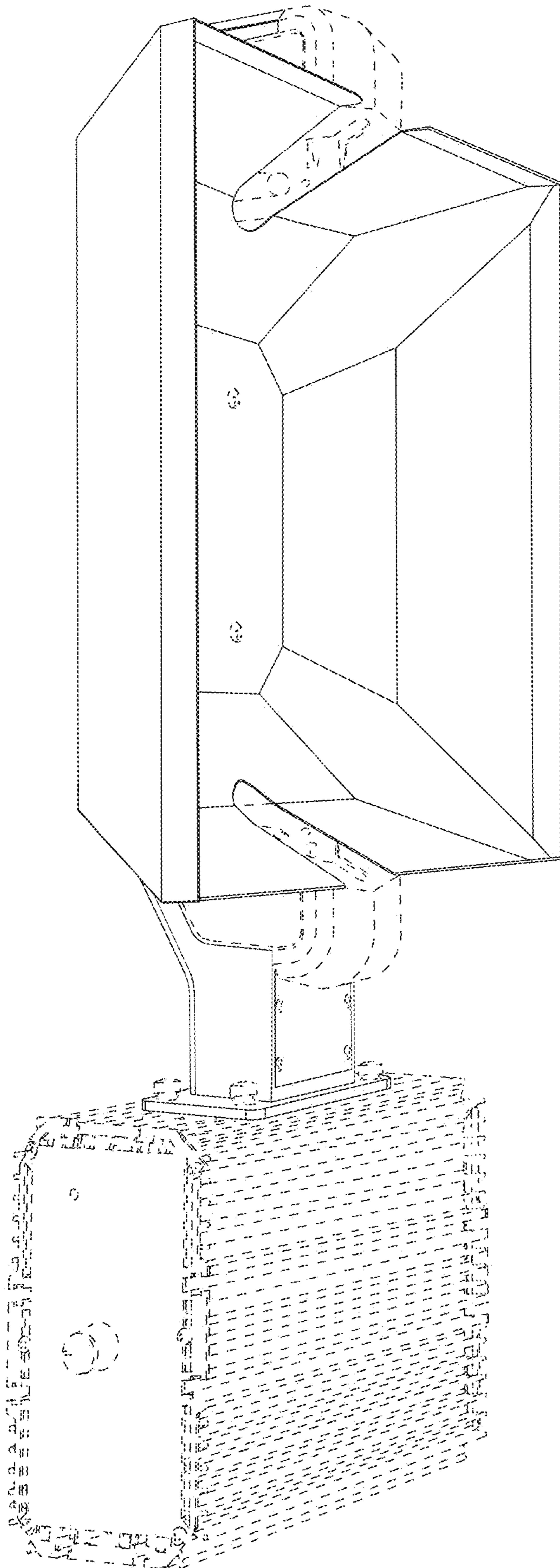


FIG. 6

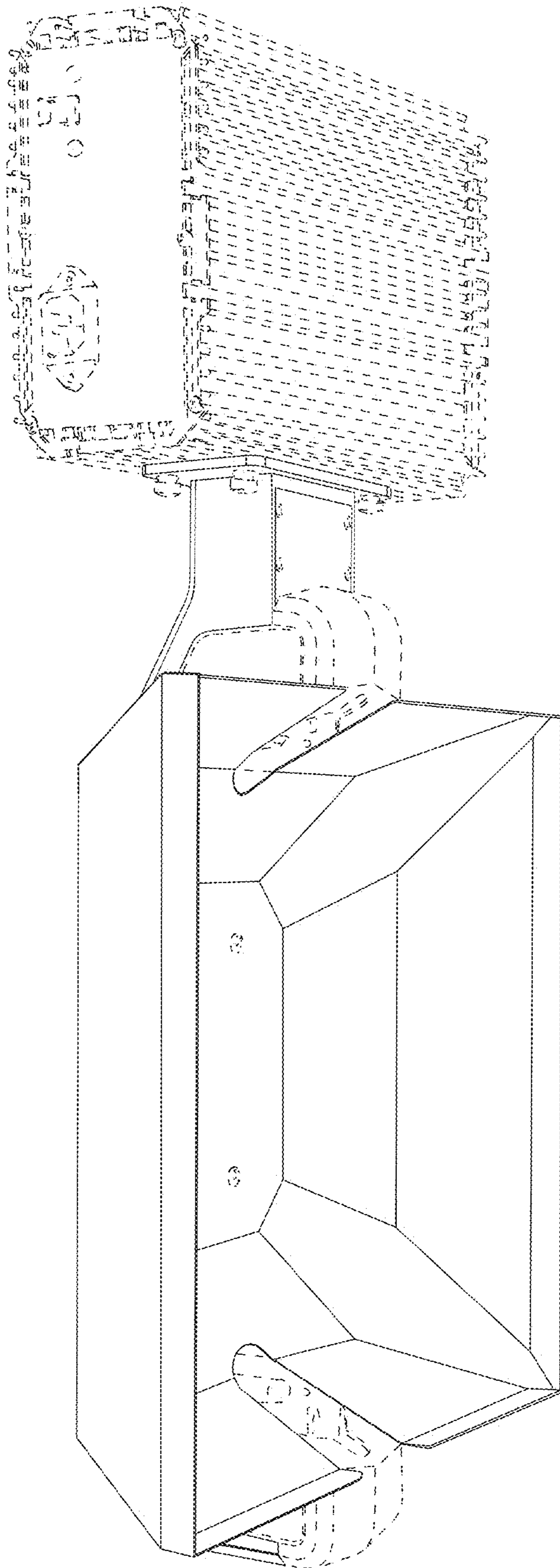


FIG. 7

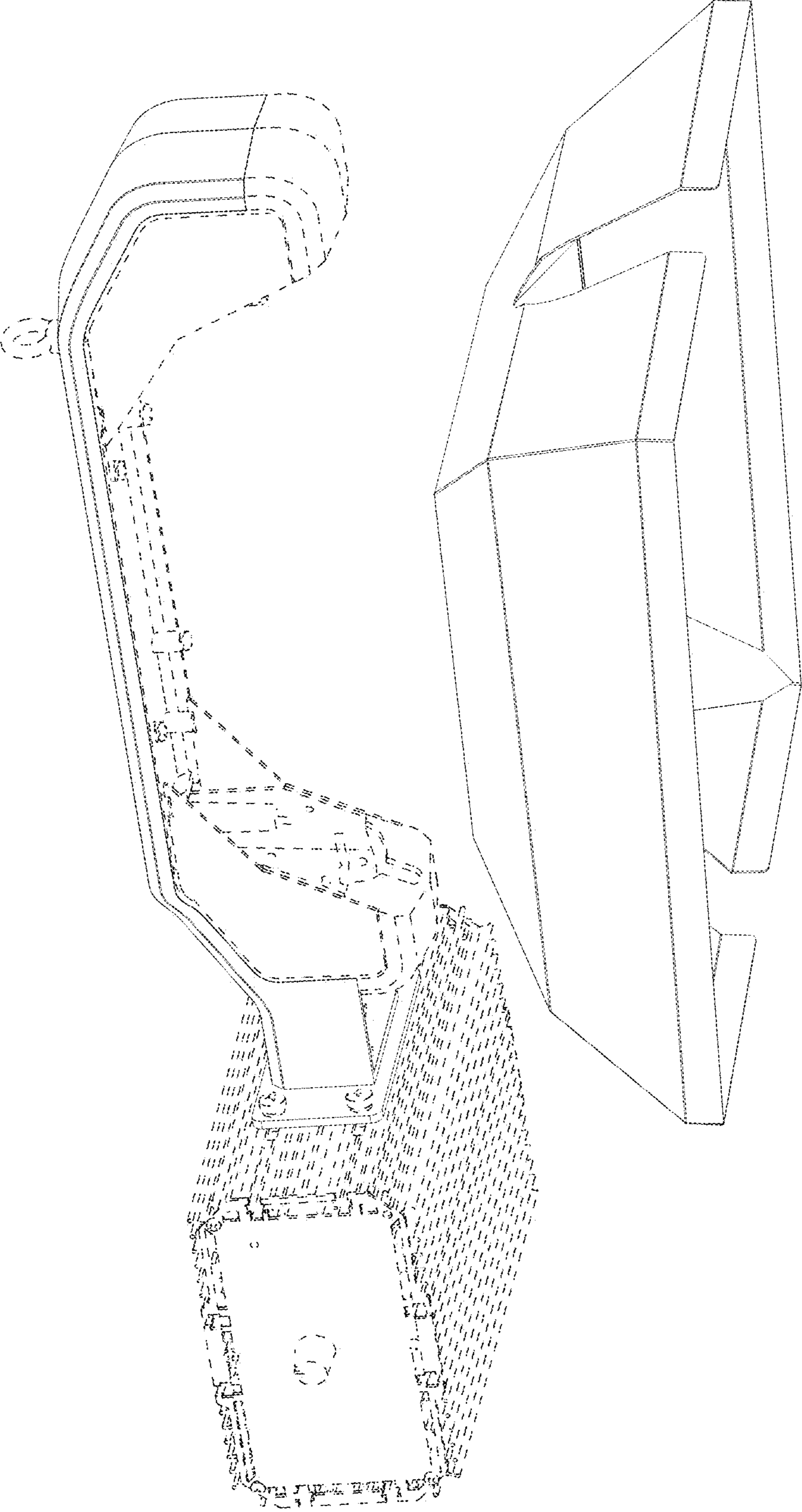


FIG. 8

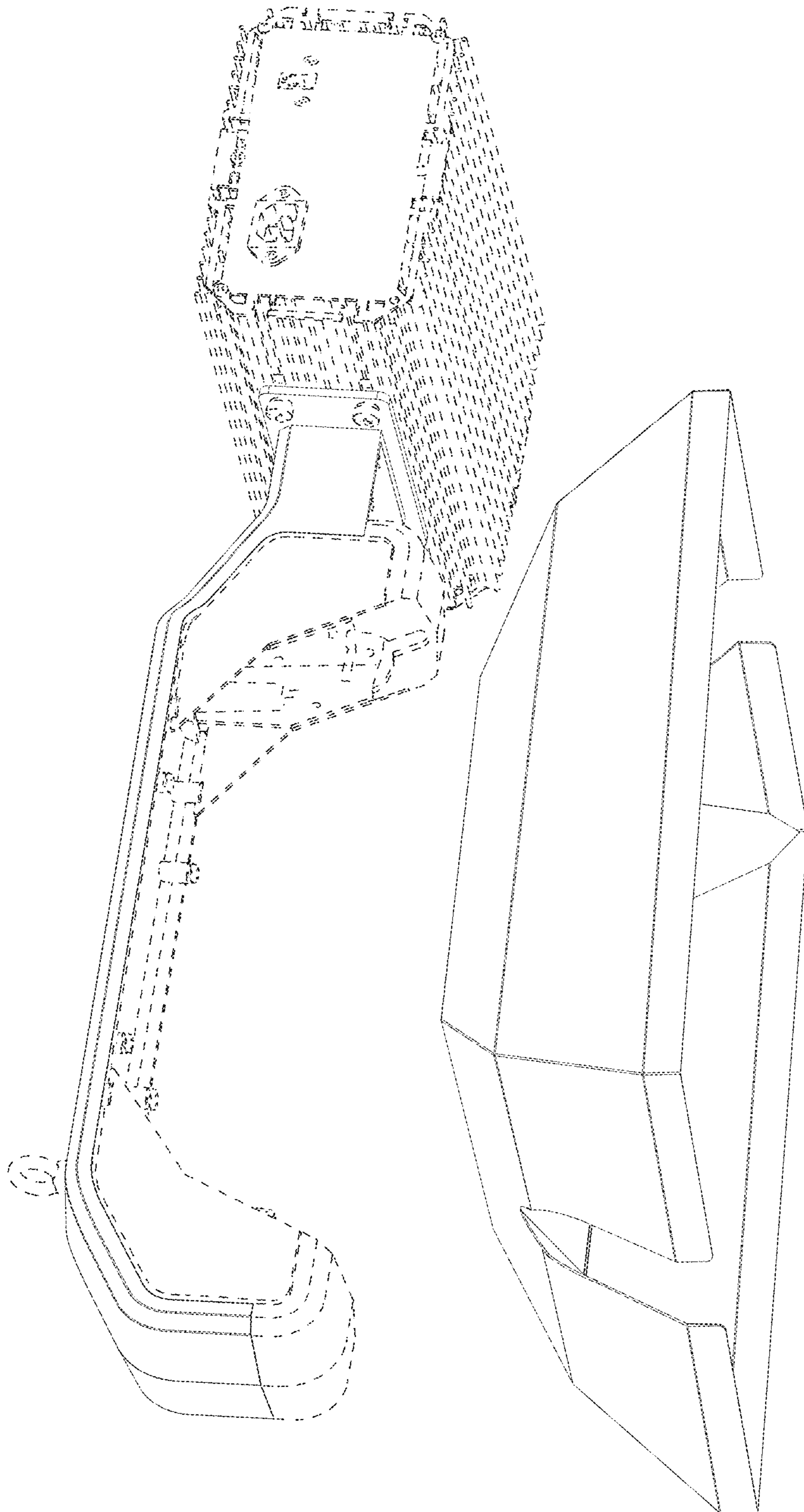


FIG. 9