



US00D945689S

(12) **United States Design Patent**
Gong

(10) **Patent No.:** **US D945,689 S**

(45) **Date of Patent:** **** Mar. 8, 2022**

(54) **TABLE LAMP**

(71) Applicant: **Yelin Gong**, Jiangxi (CN)

(72) Inventor: **Yelin Gong**, Jiangxi (CN)

(73) Assignee: **Shenzhen LAMHO PHOTOELECTRICITY & TECHNOLOGY CO., LTD.**, Shenzhen (CN)

(**) Term: **15 Years**

(21) Appl. No.: **29/688,212**

(22) Filed: **Apr. 18, 2019**

(51) **LOC (13) Cl.** **26-05**

(52) **U.S. Cl.**
USPC **D26/110**

(58) **Field of Classification Search**
USPC D26/25, 93, 102, 110
CPC ... F21V 7/04; F21V 7/041; F21V 7/06; F21V 14/00; F21V 2200/0013; F21S 4/00; F21S 4/003; F21S 4/008; F21S 6/002
See application file for complete search history.

(56) **References Cited**

U.S. PATENT DOCUMENTS

- 6,312,141 B1 * 11/2001 Liu F21S 10/06 362/235
- D452,576 S * 12/2001 Liu D26/25
- D549,501 S * 8/2007 Gaska D26/110
- D554,560 S * 11/2007 Tsai D26/25
- D624,689 S * 9/2010 Kao D26/102

- D864,457 S * 10/2019 Tang D26/25
- D885,635 S * 5/2020 Cao D26/25
- D903,926 S * 12/2020 Gong D26/25
- 2002/0097577 A1 * 7/2002 Huang F21S 4/20 362/240
- 2003/0016544 A1 * 1/2003 Huang F21S 10/06 362/565
- 2003/0147236 A1 * 8/2003 Chang F21V 7/04 362/123

FOREIGN PATENT DOCUMENTS

- EM 006382339-0001 * 4/2019
- GB 3059066 * 4/2019
- JP D1661665 * 6/2020

* cited by examiner

Primary Examiner — Leanne Was-Englehart

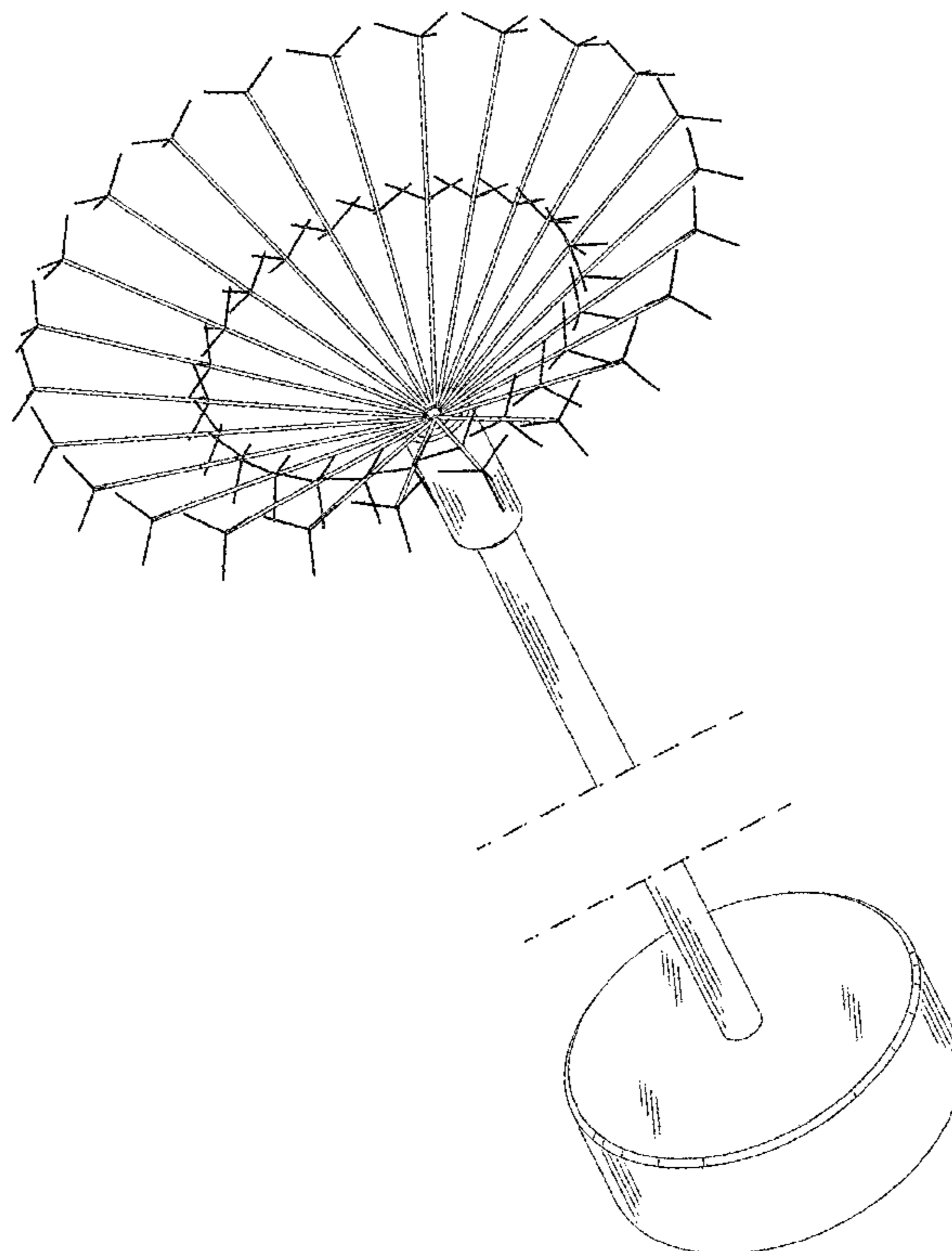
(57) **CLAIM**

The ornamental design for a table lamp, as shown and described.

DESCRIPTION

FIG. 1 is a perspective view of a table lamp showing my new design;
 FIG. 2 is a front elevation view thereof;
 FIG. 3 is a rear elevation view thereof;
 FIG. 4 is a left side elevation view thereof;
 FIG. 5 is a right side elevation view thereof;
 FIG. 6 is a top plan view thereof; and,
 FIG. 7 is a bottom plan view thereof.
 The broken lines depict portions of the table lamp that form no part of the claimed design.

1 Claim, 7 Drawing Sheets



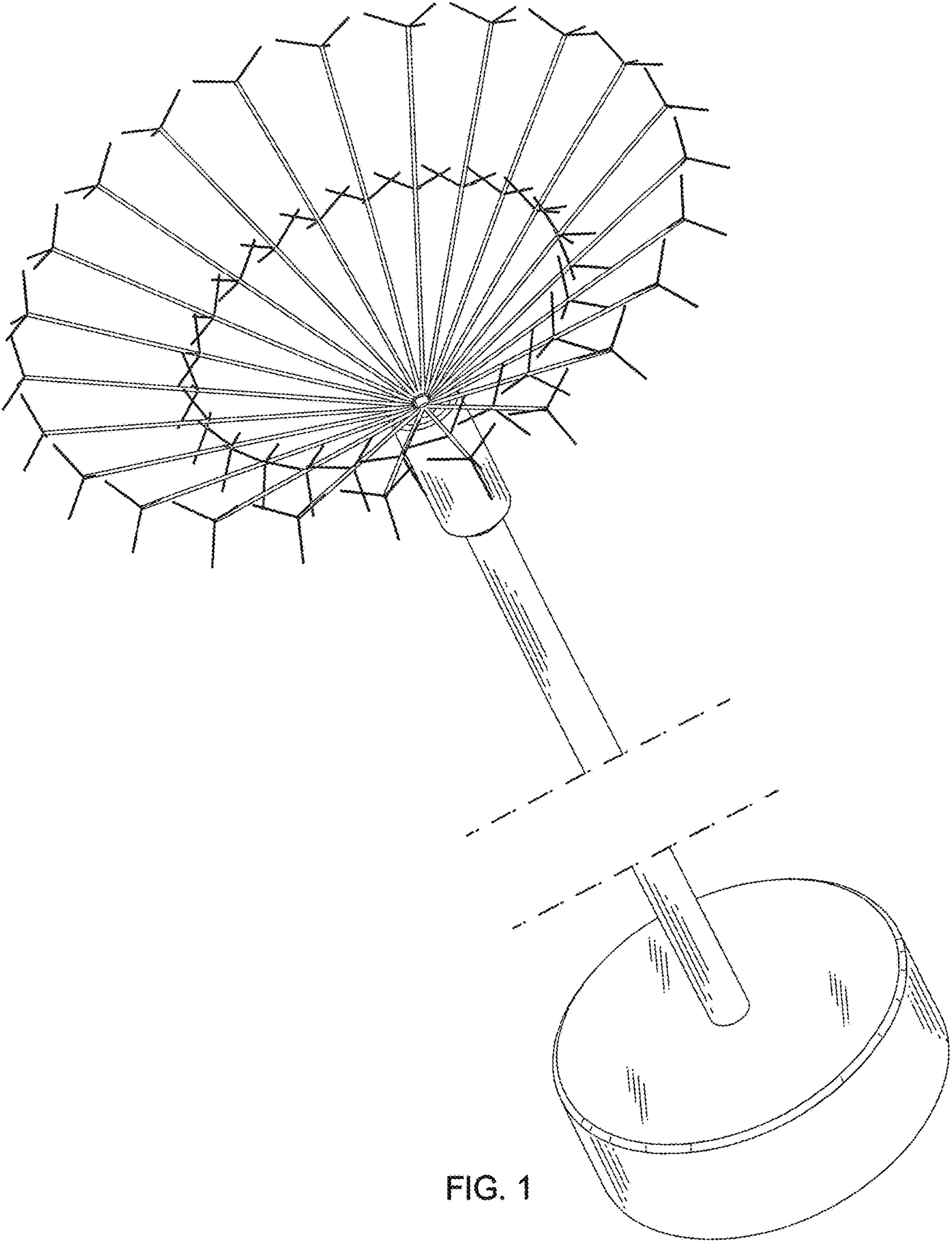


FIG. 1

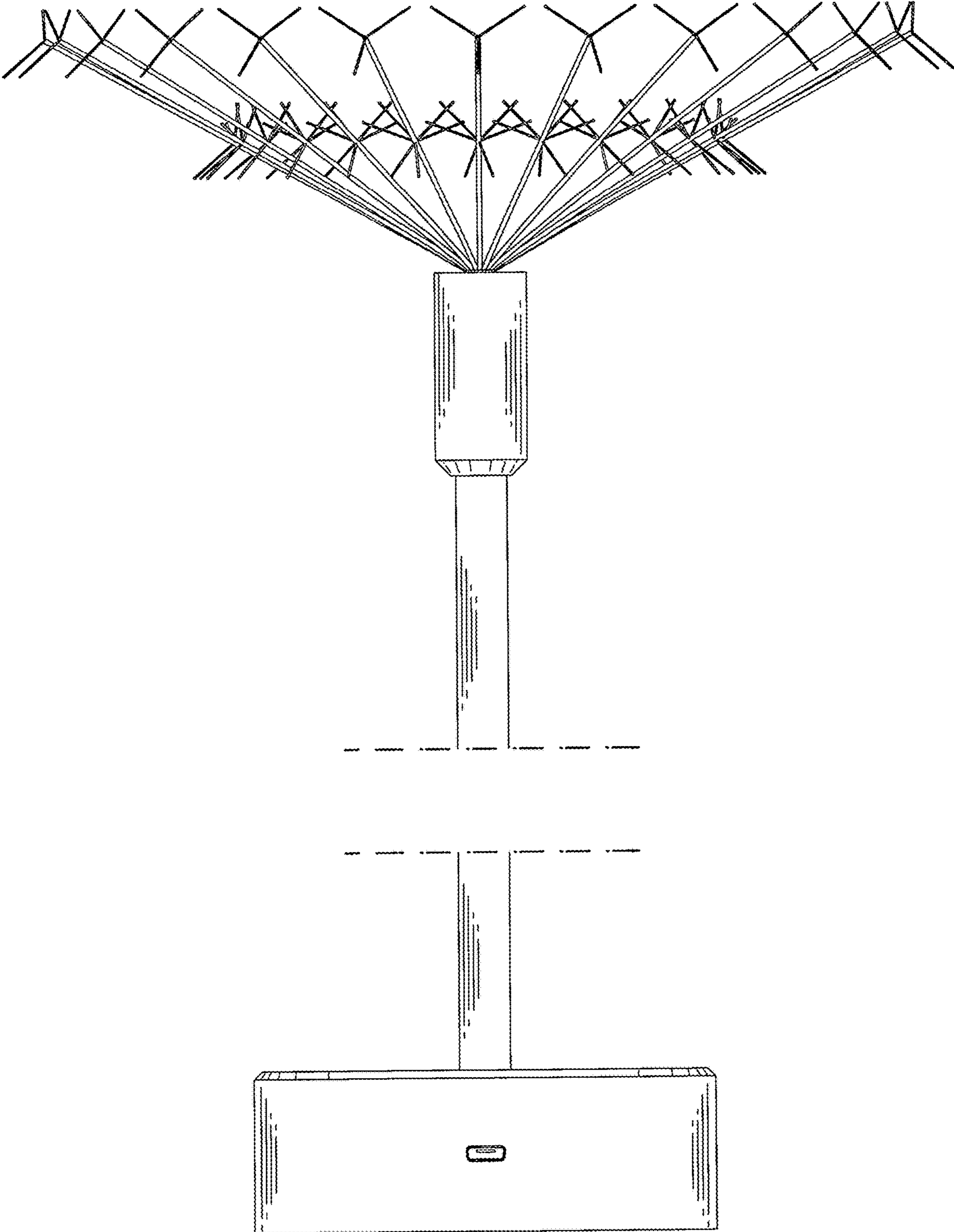


FIG. 2

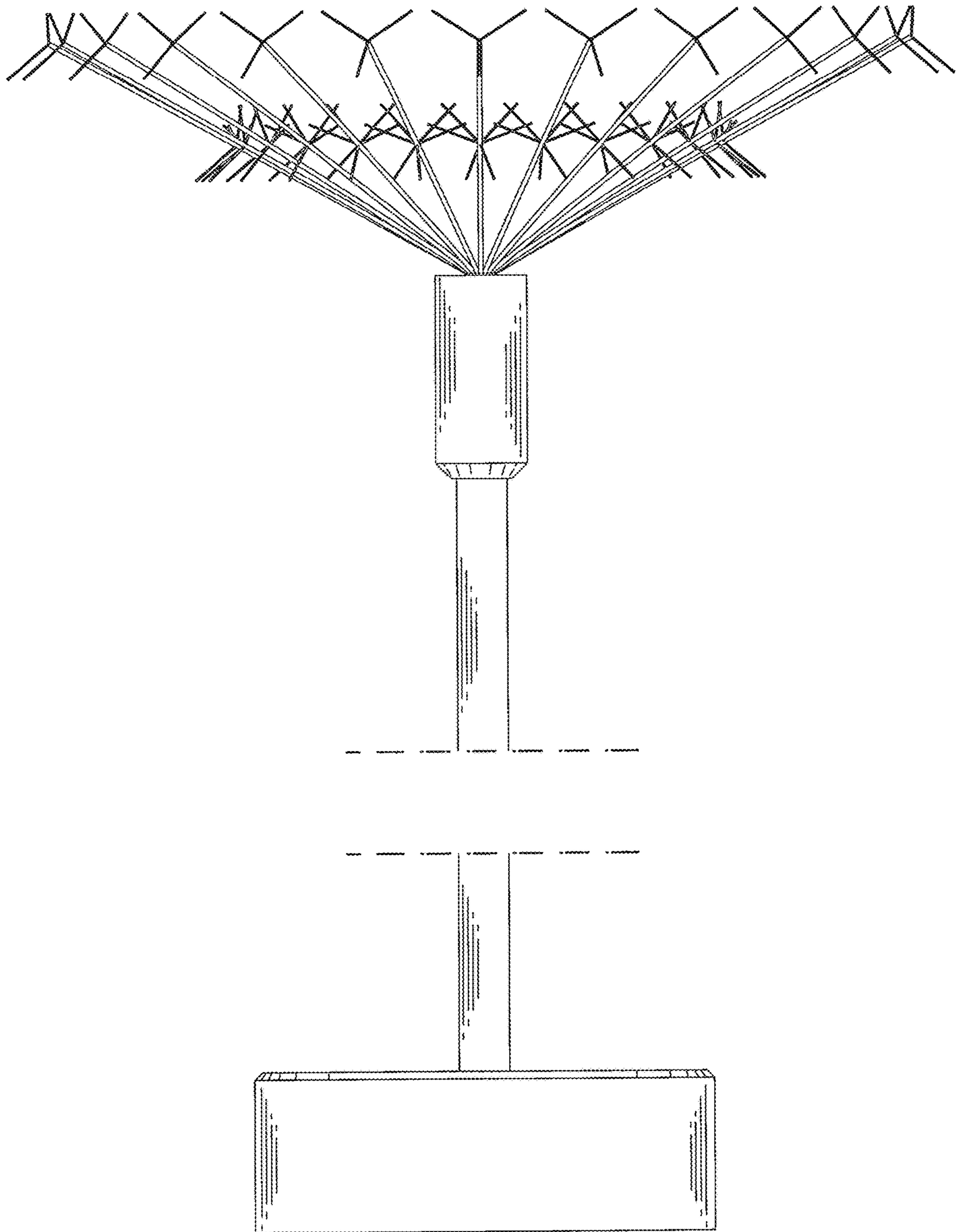


FIG. 3

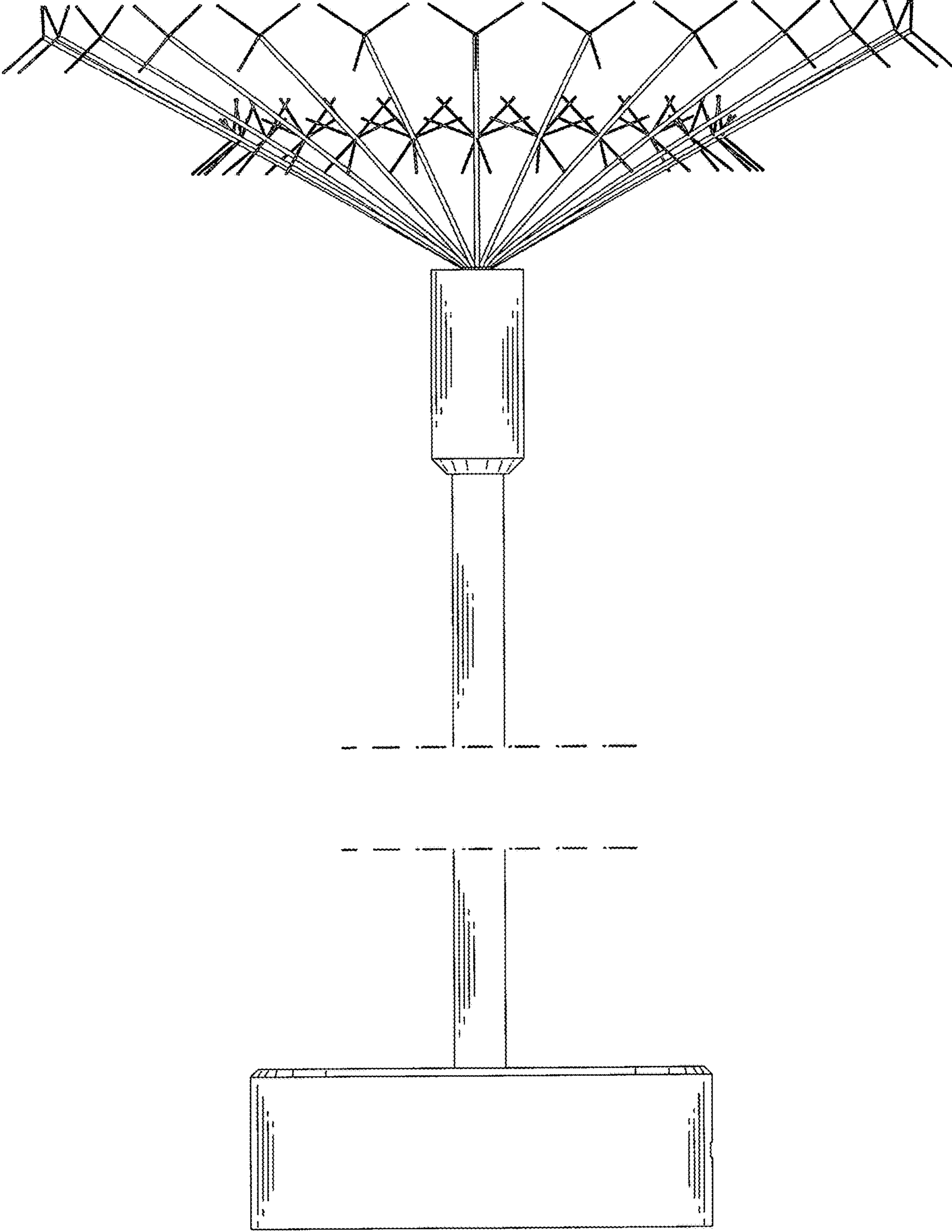


FIG. 4

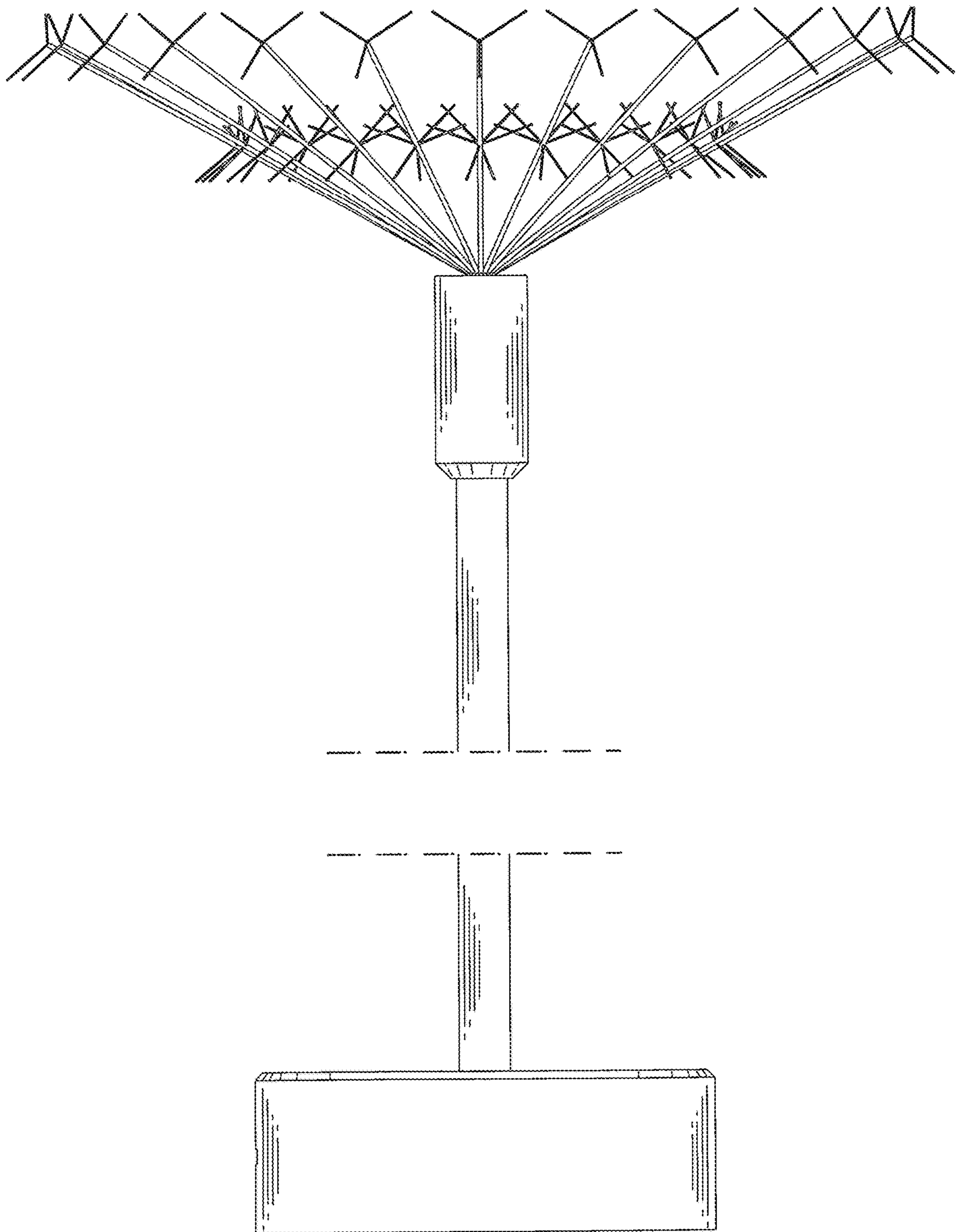


FIG. 5

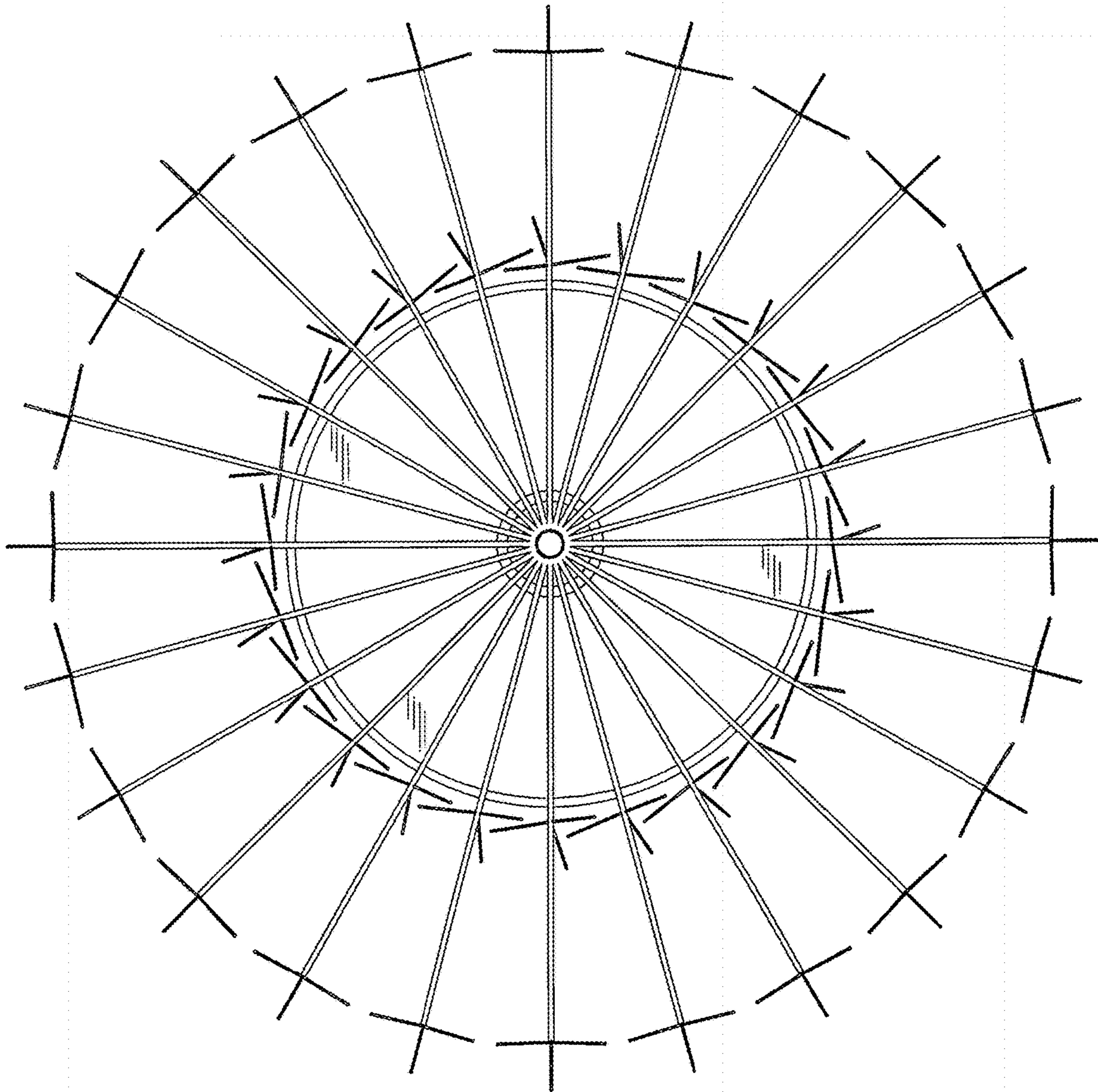


FIG. 6

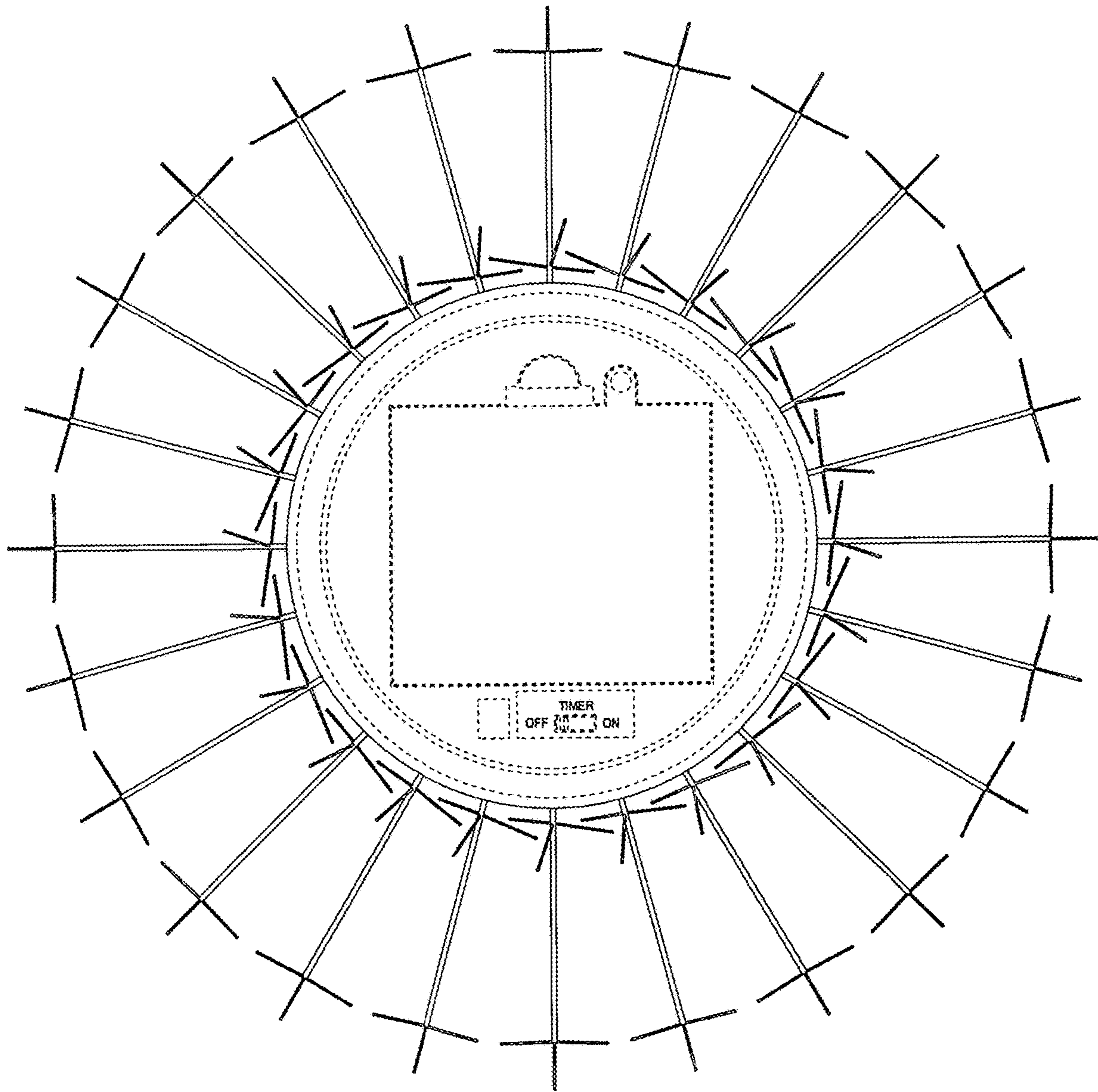


FIG. 7