



US00D945687S

(12) **United States Design Patent**
Jiang

(10) **Patent No.:** **US D945,687 S**
(45) **Date of Patent:** **** Mar. 8, 2022**

(54) **LAMP**

(71) Applicant: **Lili Jiang**, Hanzhong (CN)

(72) Inventor: **Lili Jiang**, Hanzhong (CN)

(**) Term: **15 Years**

(21) Appl. No.: **29/766,161**

(22) Filed: **Jan. 14, 2021**

(51) **LOC (13) Cl.** **26-03**

(52) **U.S. Cl.**
USPC **D26/88**

(58) **Field of Classification Search**
USPC D26/72, 80, 81, 84, 86, 88, 89, 90, 91
CPC F21S 8/03; F21S 8/04; F21S 8/043; F21S
8/046; F21S 8/06; F21S 8/061; F21S
8/063; F21S 8/065

See application file for complete search history.

(56) **References Cited**

U.S. PATENT DOCUMENTS

D75,063 S *	5/1928	Rosenblatt	D26/81
D659,277 S	5/2012	Chen		
D877,393 S	3/2020	Yu et al.		
D887,619 S *	6/2020	Chen	D26/88
D895,192 S *	9/2020	Gong	D26/88
D898,978 S *	10/2020	Xu	D26/82
D905,315 S *	12/2020	Li	D26/81
D906,571 S *	12/2020	Li	D26/81
D906,572 S *	12/2020	Li	D26/81
D929,019 S *	8/2021	Zhao	D26/81

OTHER PUBLICATIONS

GILUTA Oval Wood Pendant Light ASIN: B08BWYCQKX available from amazon.com Jun. 26, 2020. (Year: 2020).*

Giluta Rustic Oval Wood Frame Mesh Cage Pendant Light Fixture ASIN: B07MBSVL2S available from amazon.com Jan. 5, 2019. (Year: 2019).*

Anmytek Metal and Wood Round Pendant Light ASIN: B075PRSL5R available from amazon.com Sep. 16, 2017. (Year: 2017).*

* cited by examiner

Primary Examiner — Clare E Heflin

(57) **CLAIM**

The ornamental design for a lamp, as shown and described.

DESCRIPTION

FIG. 1 is a perspective view of a lamp showing my new design;

FIG. 2 is another perspective view thereof;

FIG. 3 is a front elevational view thereof;

FIG. 4 is a rear elevational view thereof;

FIG. 5 is a left side elevational view thereof;

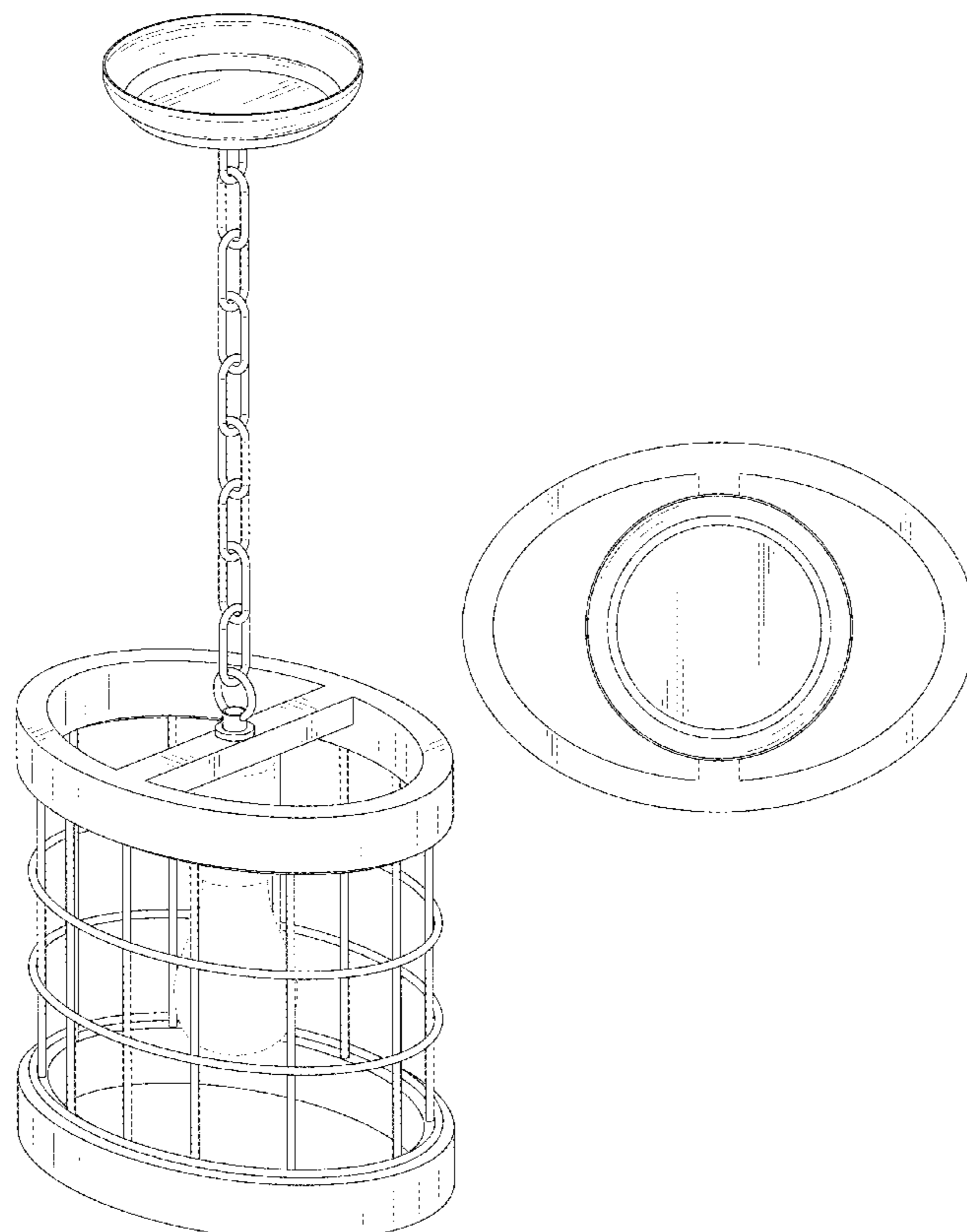
FIG. 6 is a right side elevational view thereof;

FIG. 7 is a top plan view thereof; and,

FIG. 8 is a bottom plan view thereof.

The broken lines in the drawings depict portions of the lamp that form no part of the claimed design.

1 Claim, 8 Drawing Sheets



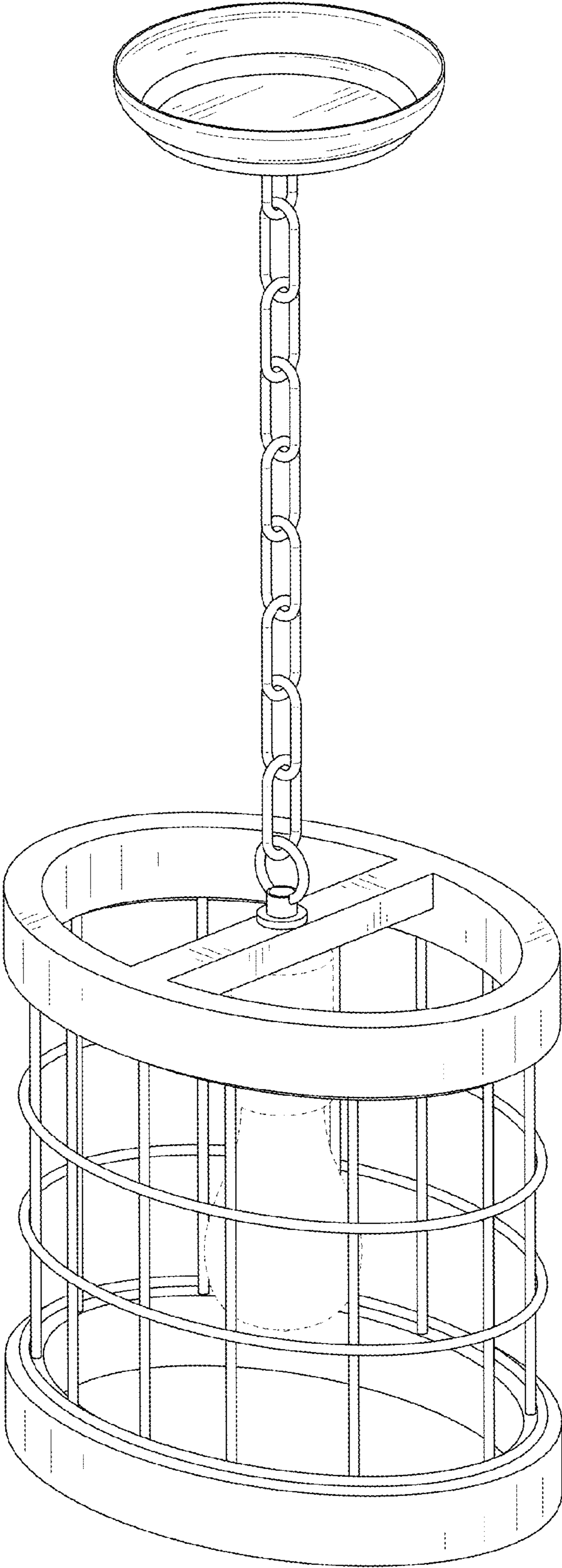


FIG. 1

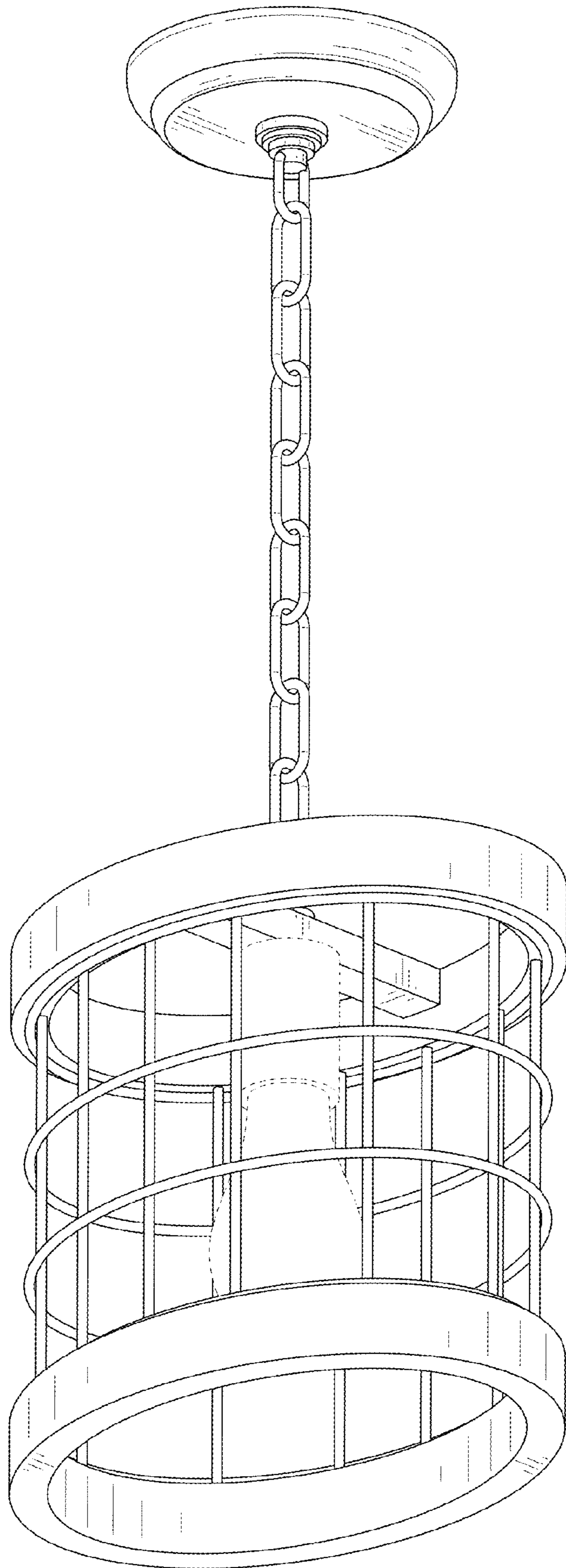


FIG. 2

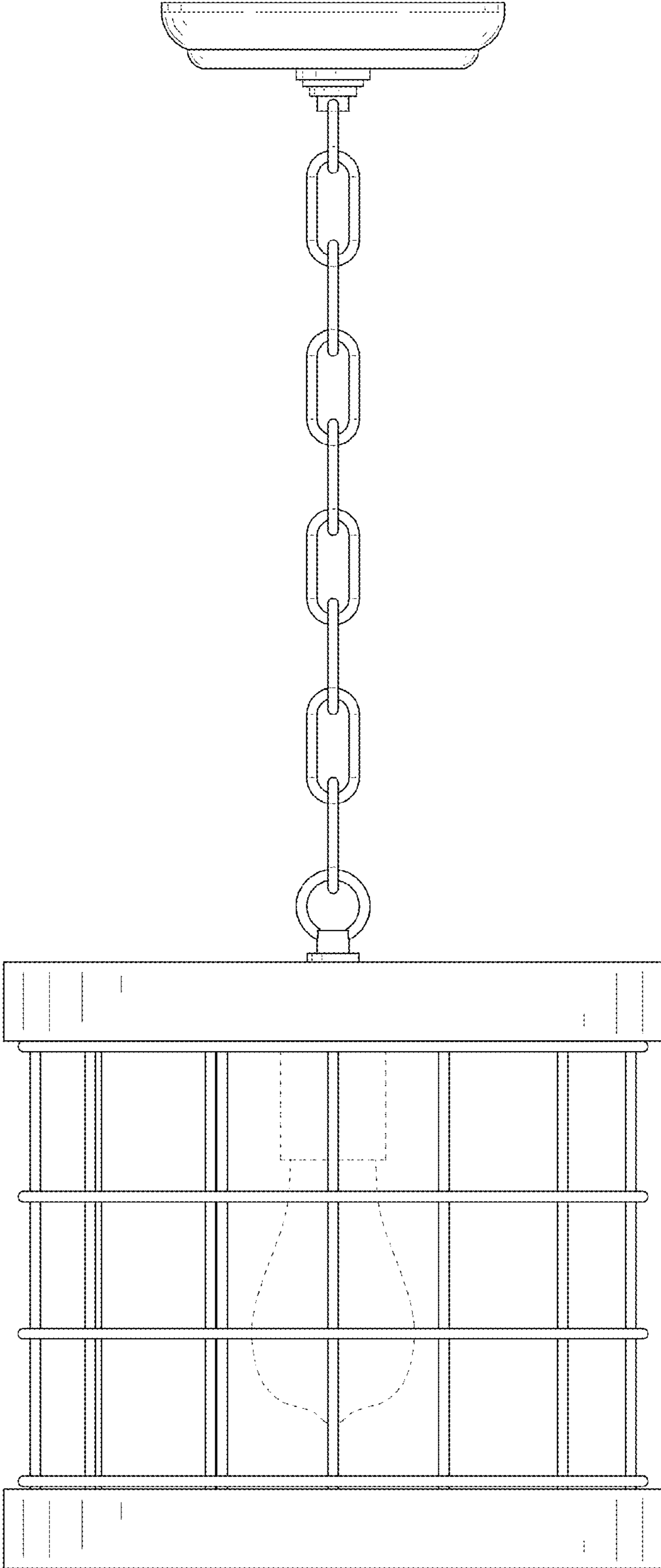


FIG. 3

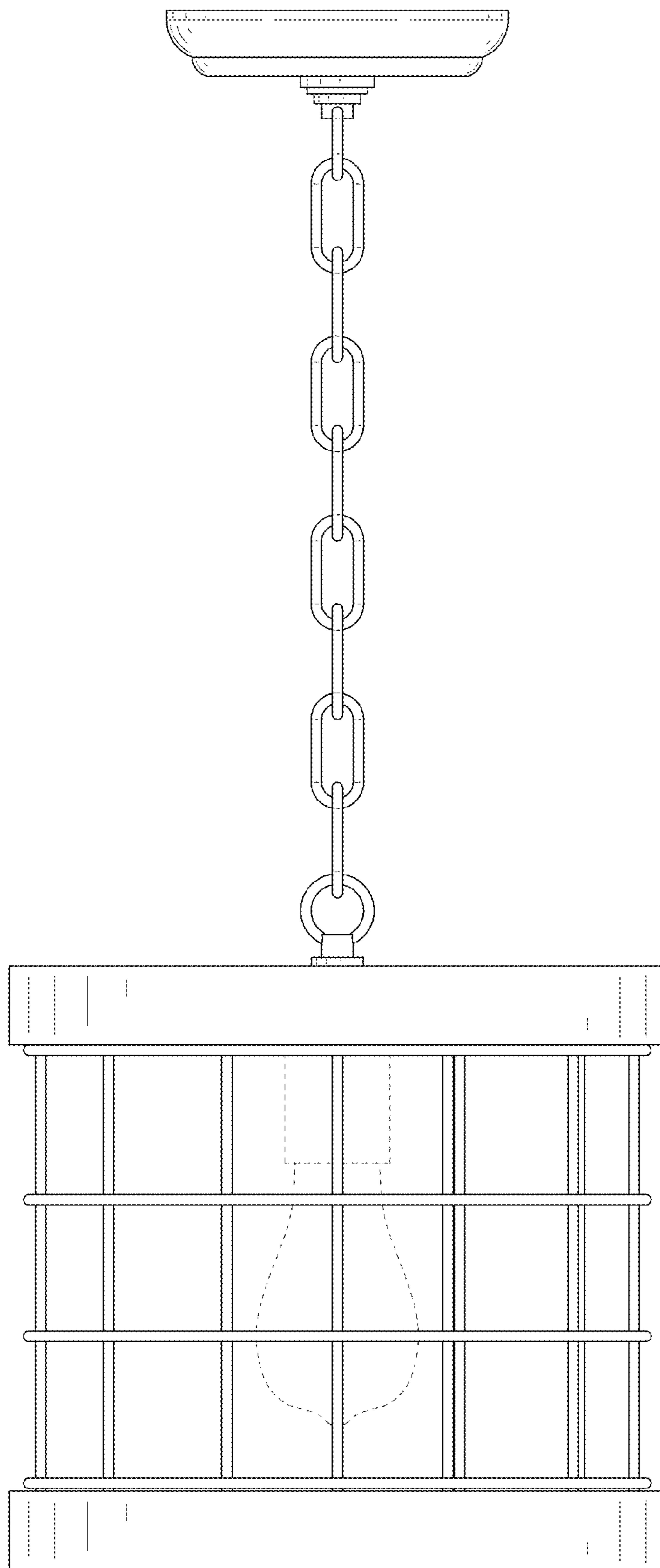


FIG. 4

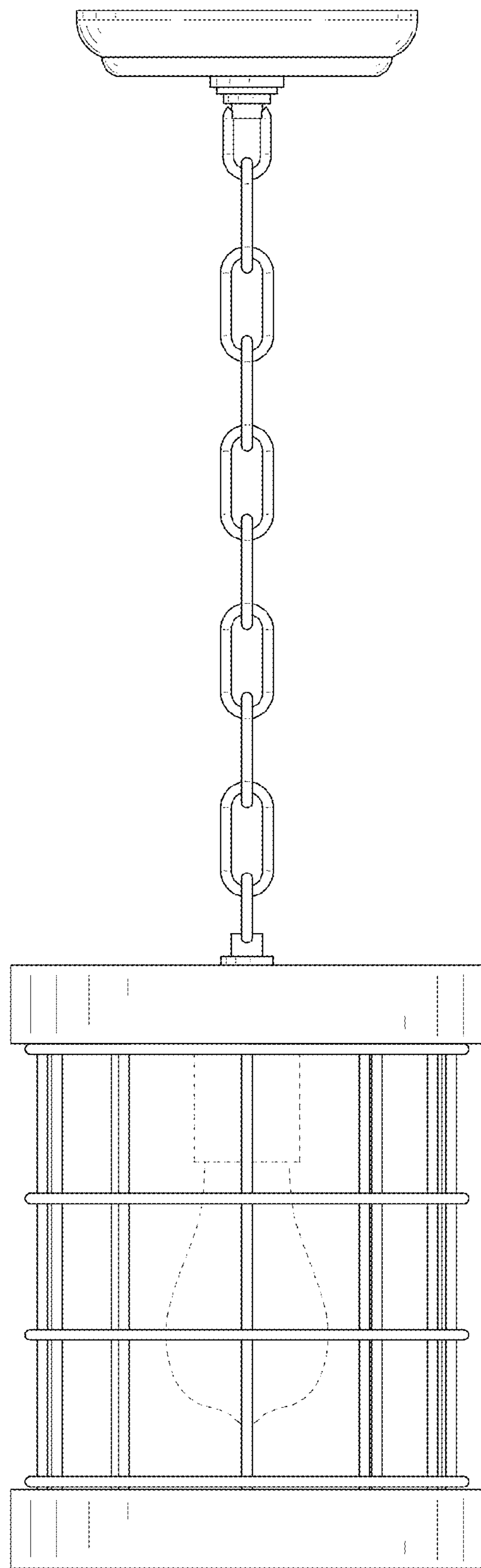


FIG. 5

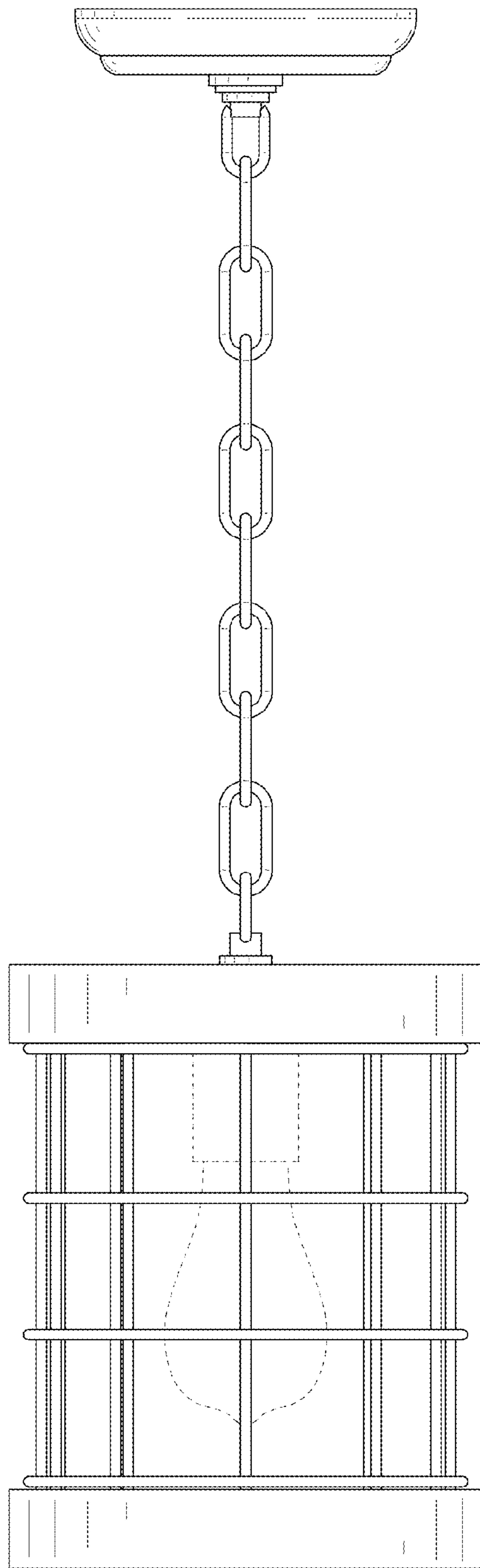


FIG. 6

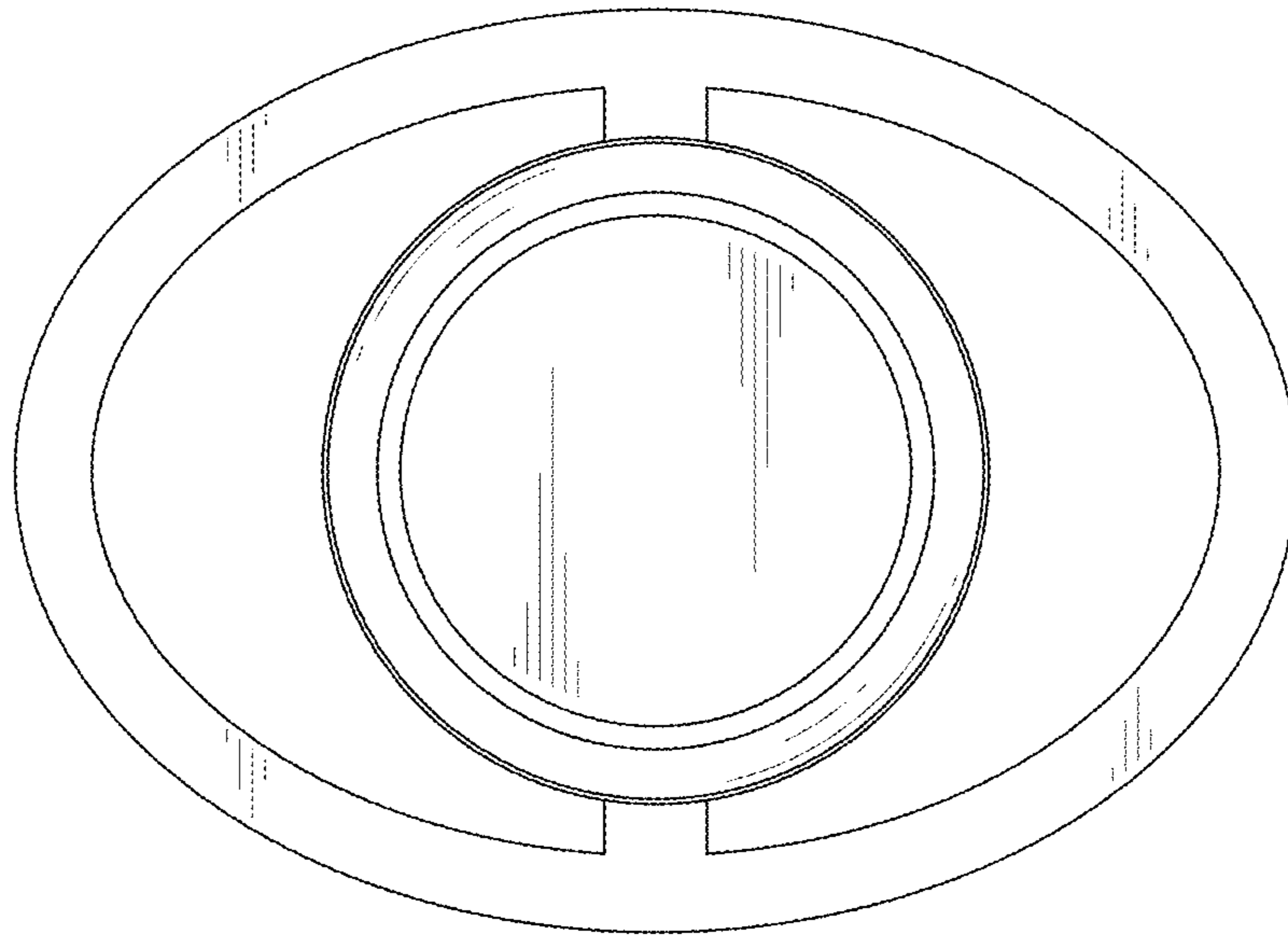


FIG. 7

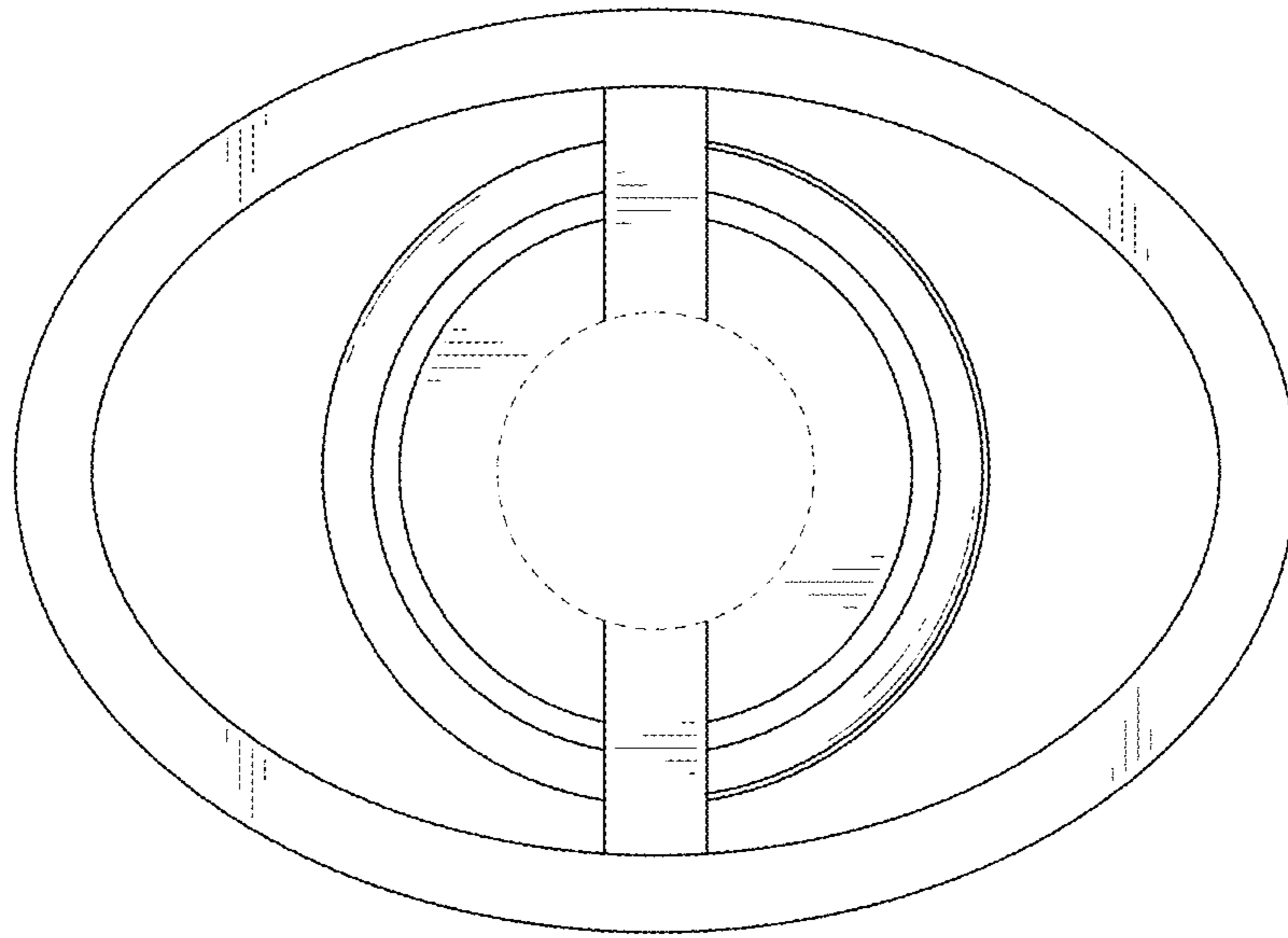


FIG. 8