



US00D945685S

(12) **United States Design Patent**
Chen

(10) **Patent No.:** **US D945,685 S**
(45) **Date of Patent:** **** Mar. 8, 2022**

- (54) **LAMP**
- (71) Applicant: **Weida Chen**, Zhuhai (CN)
- (72) Inventor: **Weida Chen**, Zhuhai (CN)
- (**) Term: **15 Years**
- (21) Appl. No.: **29/786,851**
- (22) Filed: **Jun. 3, 2021**
- (51) **LOC (13) Cl.** **26-03**
- (52) **U.S. Cl.**
USPC **D26/86**
- (58) **Field of Classification Search**
USPC D26/72, 80, 84-88, 92
CPC .. F21S 8/033; F21S 8/035; F21S 8/036; F21S
8/046
See application file for complete search history.

(56) **References Cited**

U.S. PATENT DOCUMENTS

D552,469 S	10/2007	Harmon	
D608,488 S *	1/2010	Miranda D26/87
D712,571 S	9/2014	Zetsche	
D816,881 S *	5/2018	Qiao D26/86
D816,882 S *	5/2018	Qiao D26/86
D869,730 S *	12/2019	Lin D26/80
D888,316 S *	6/2020	Huang D26/86
D898,269 S *	10/2020	Huang D26/86
D908,945 S *	1/2021	Zheng D26/86
D921,254 S	6/2021	Preutz	

OTHER PUBLICATIONS

Minka Lavery Wall Light Fixture—Camden, Model No. 4873-283, ASIN: B019ZDL3GW available from amazon.com Apr. 8, 2014. (Year: 2014).*

SOLFART Dimmable LED Modern Matt Black Bathroom Vanity Light, ASIN: B088F9JZC2 available from amazon.com May 11, 2020. (Year: 2020).*
Minka Lavery Crystal Wall Light Fixture—Palermo, Model No. 2384-77 / ASIN: B079YWPWW available from amazon.com Feb. 21, 2018. (Year: 2018).*
WOSBO Bathroom Light Fixture, ASIN: B094R7SGJT available from amazon.com May 31, 2021. (Year: 2021).*

* cited by examiner

Primary Examiner — Clare E Heflin

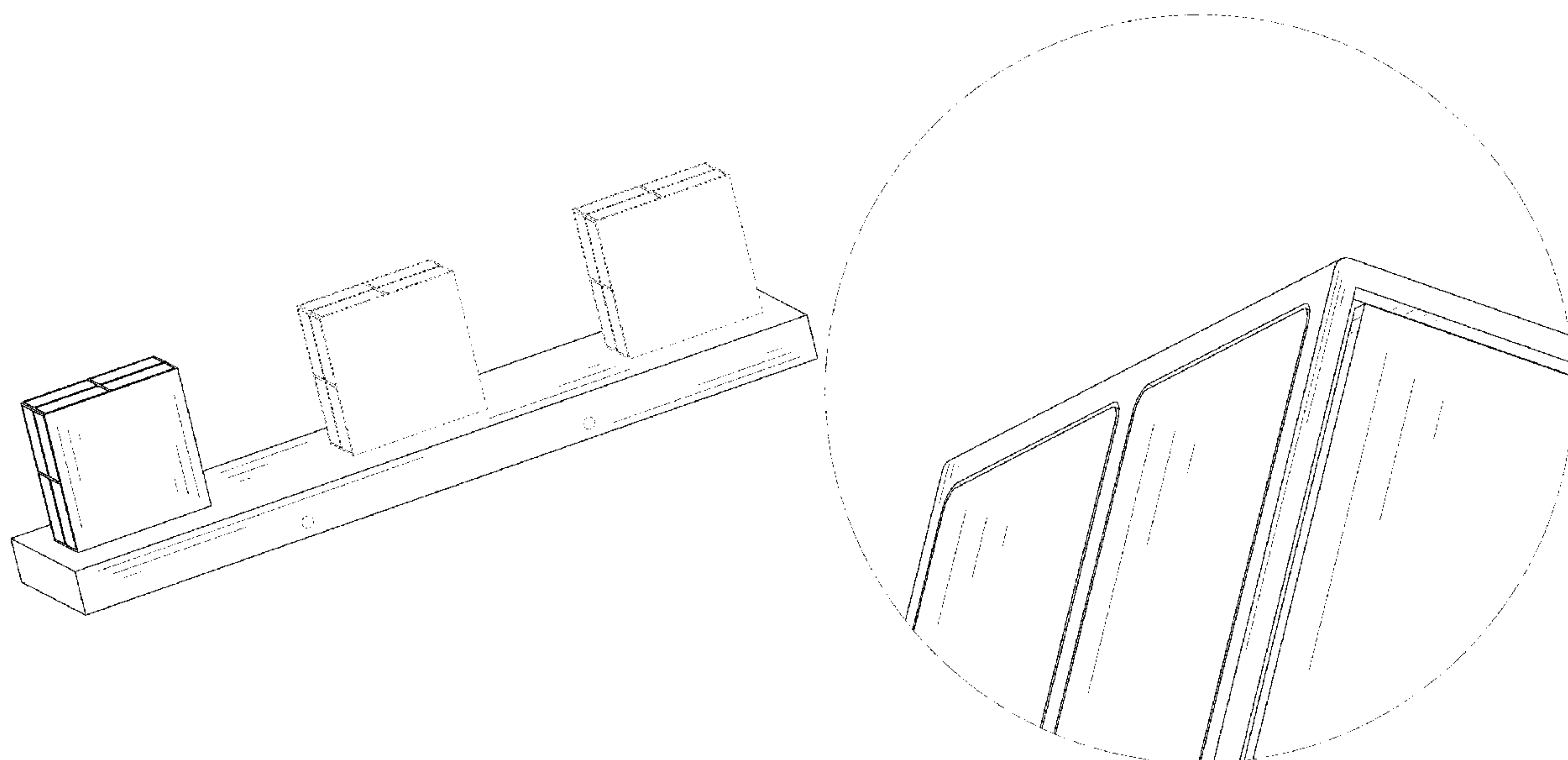
(57) **CLAIM**

The ornamental design for a lamp, as shown and described.

DESCRIPTION

FIG. 1 is a first perspective view of a lamp showing my new design;
FIG. 2 is a second perspective view thereof;
FIG. 3 is a top view thereof;
FIG. 4 is a bottom view thereof;
FIG. 5 is a left side view thereof;
FIG. 6 is a right side view thereof;
FIG. 7 is a front view thereof;
FIG. 8 is a rearview thereof; and,
FIG. 9 is an enlarged view of the selected portion in FIG. 2. The broken lines shown in the drawings depict portions of the lamp in which the design is embodied that form no part of the claimed design.

1 Claim, 9 Drawing Sheets



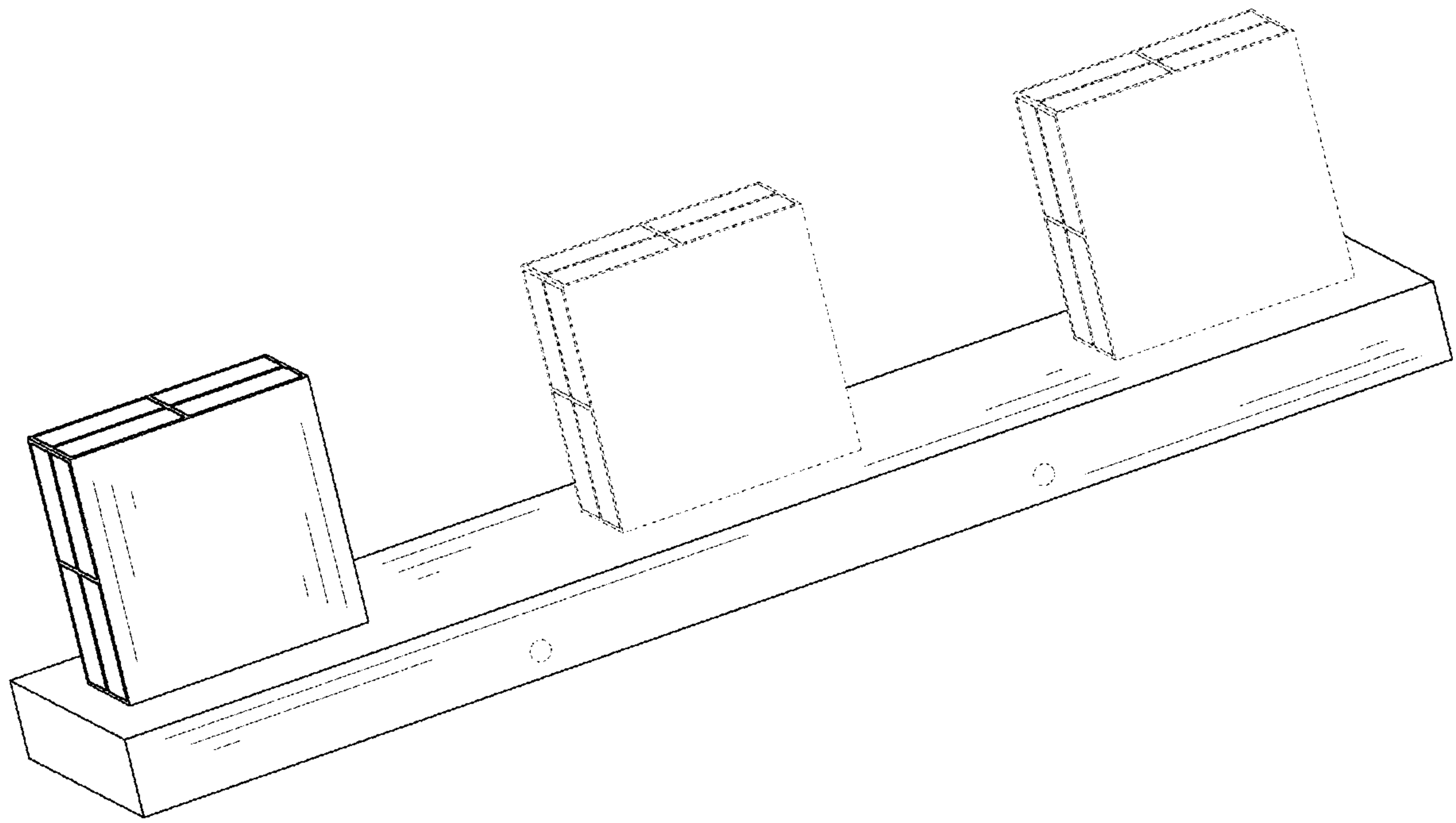


FIG. 1

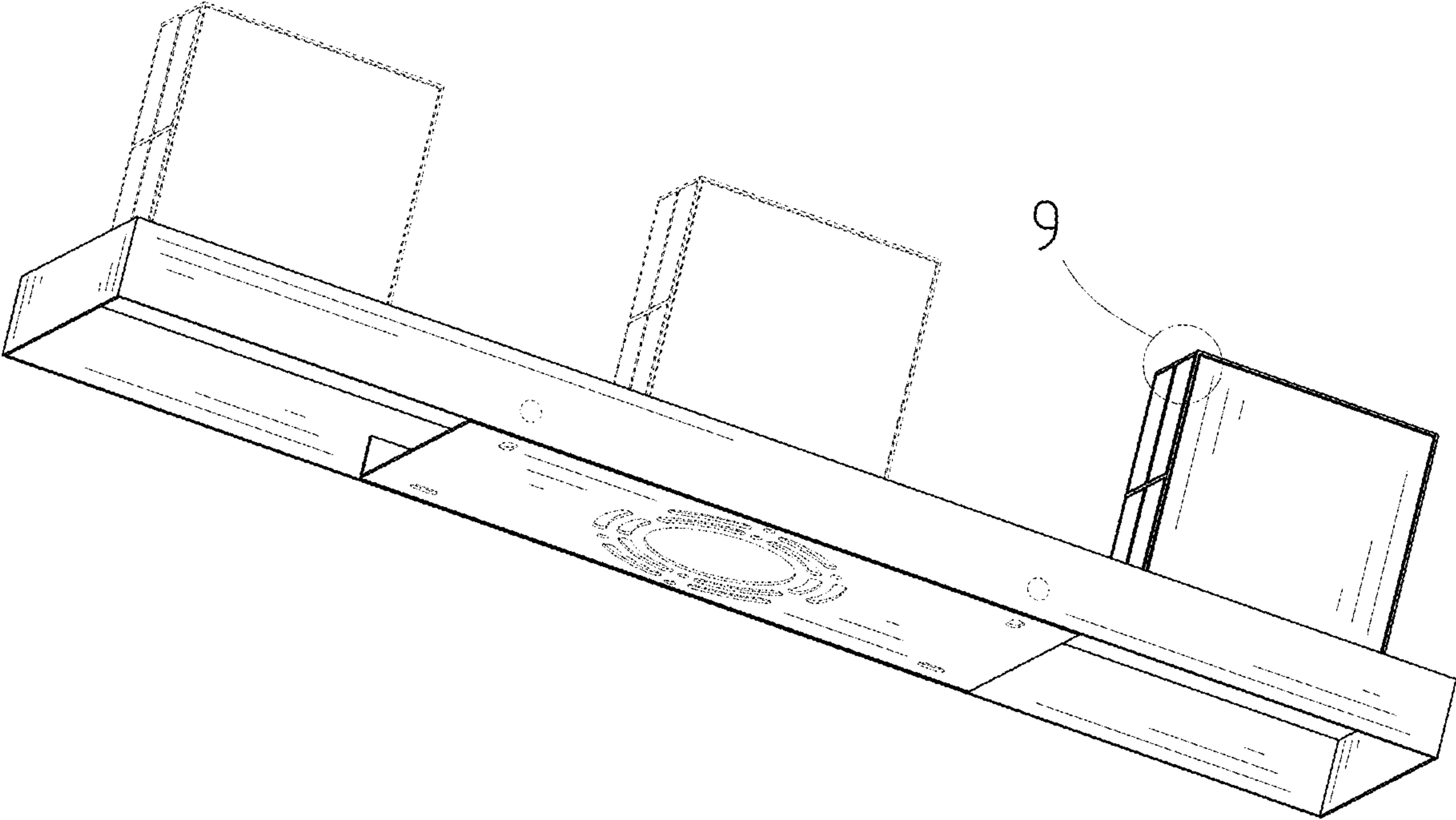


FIG. 2

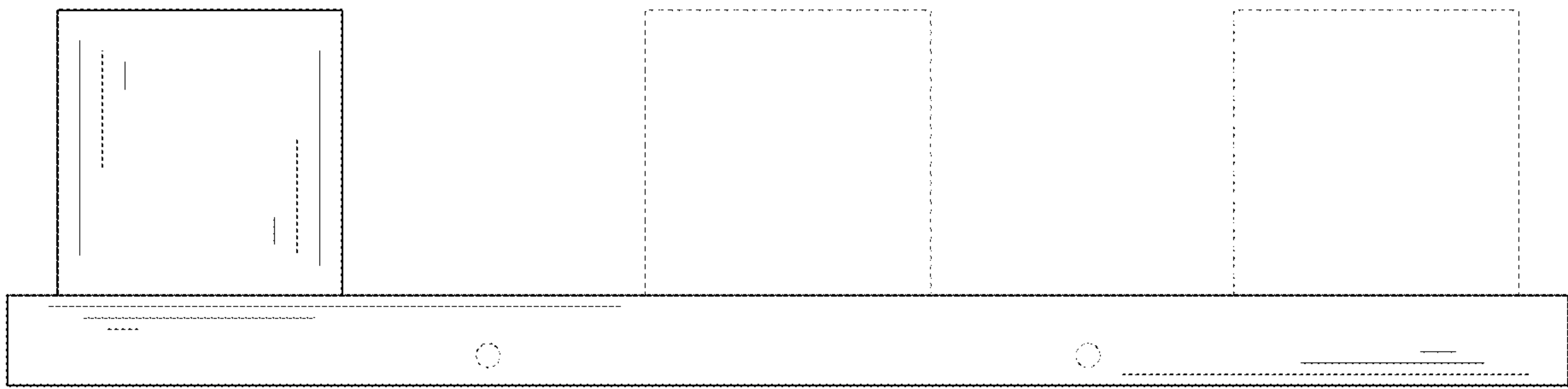


FIG. 3

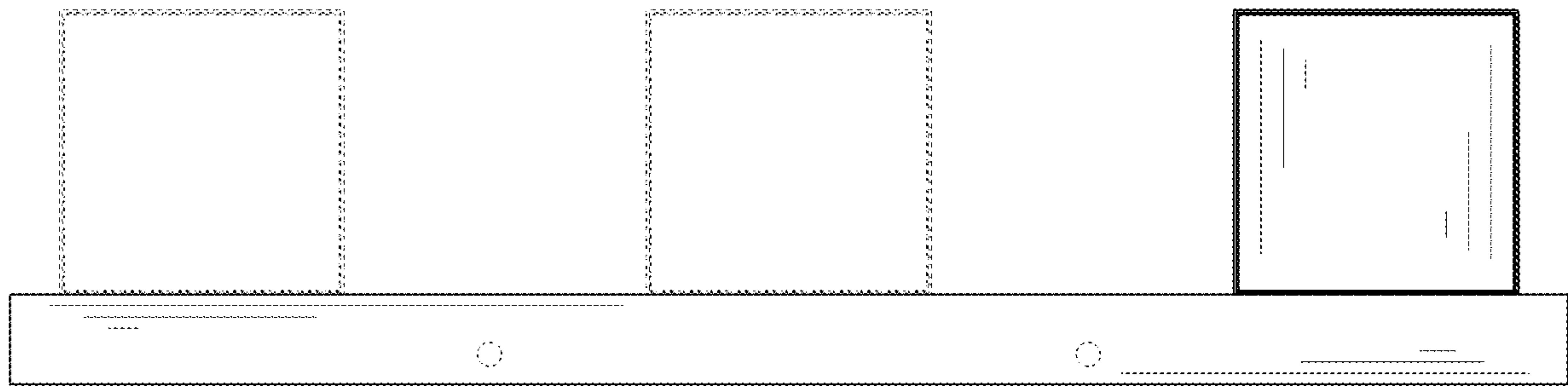


FIG. 4

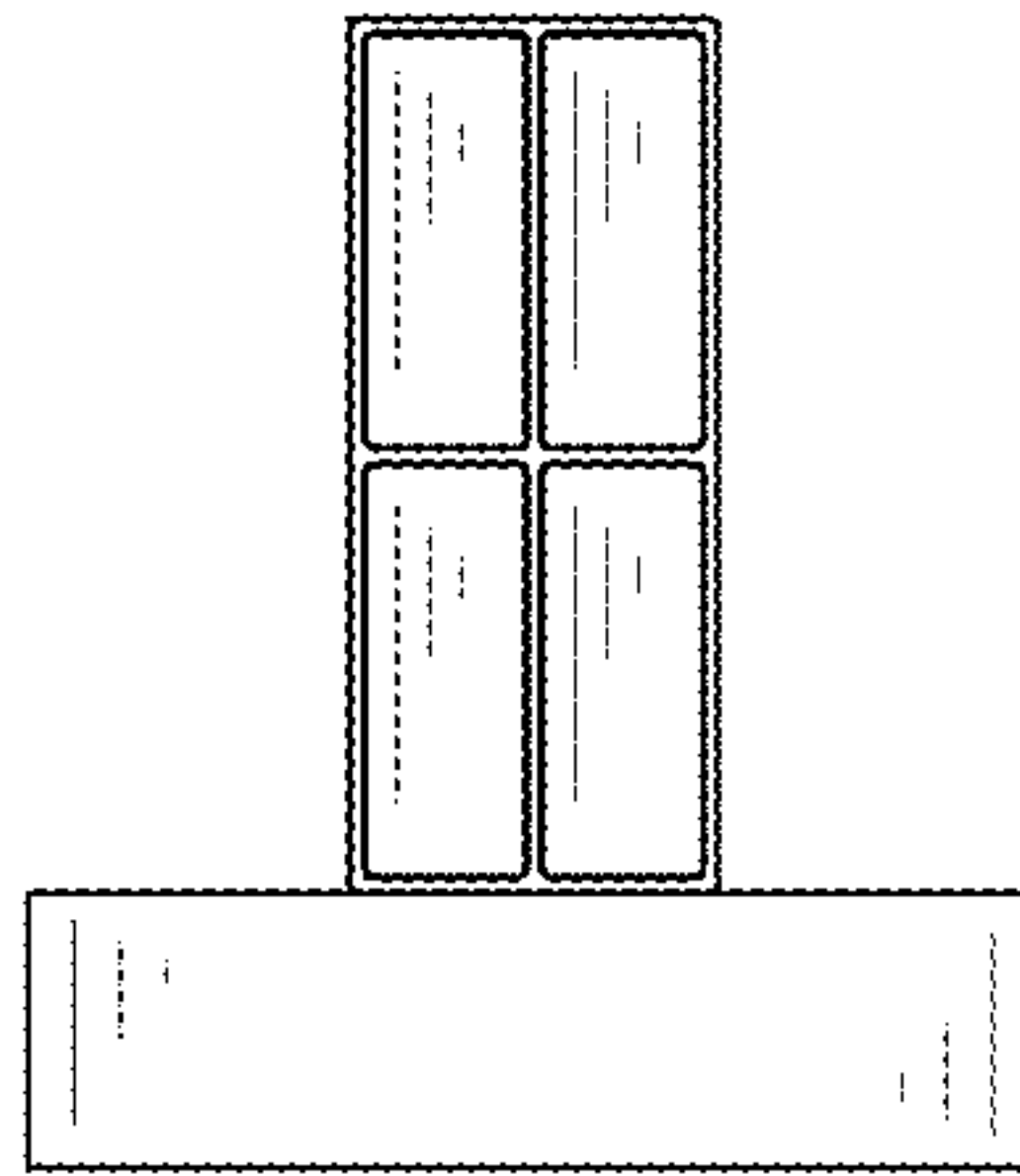


FIG. 5

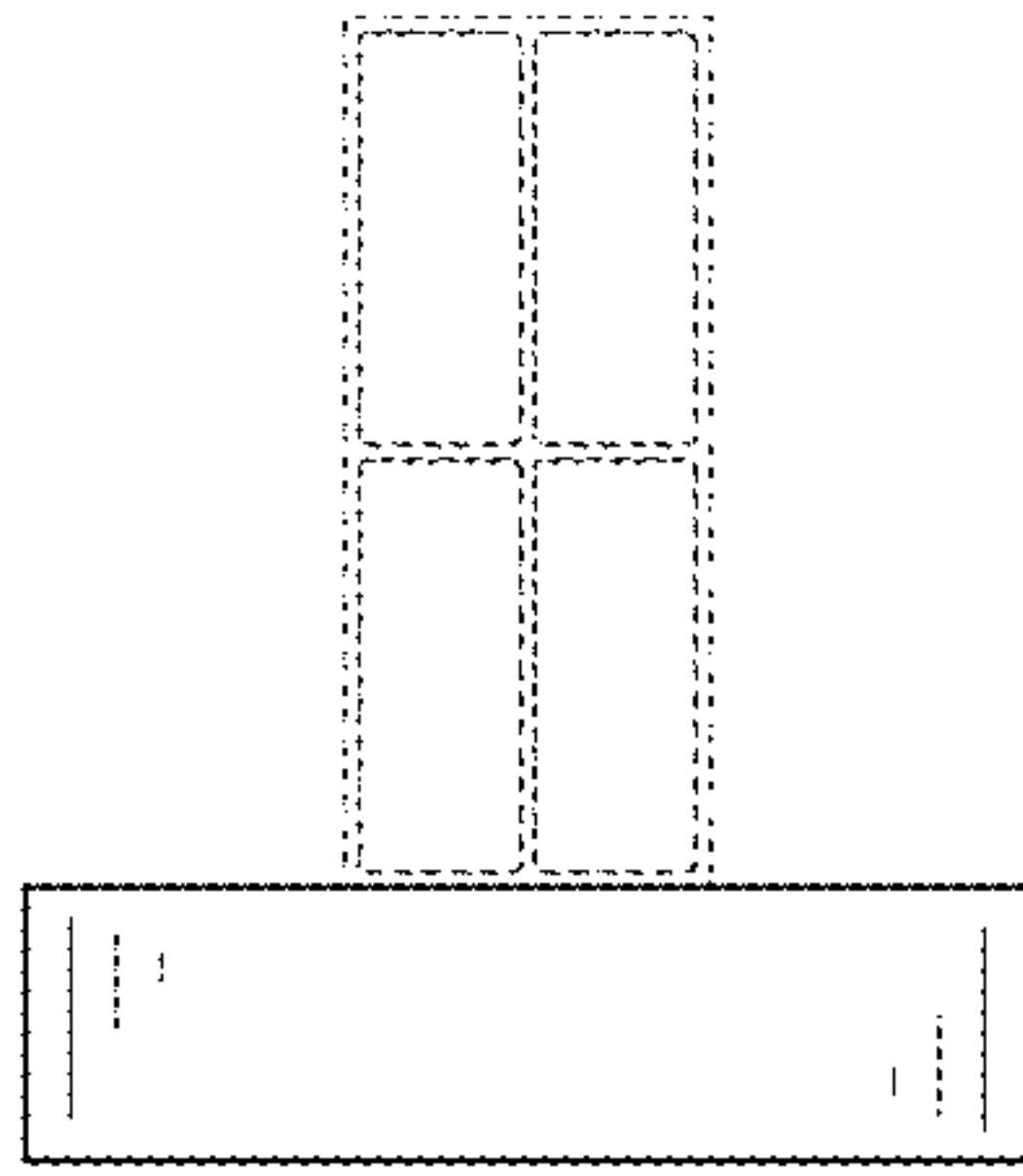


FIG. 6

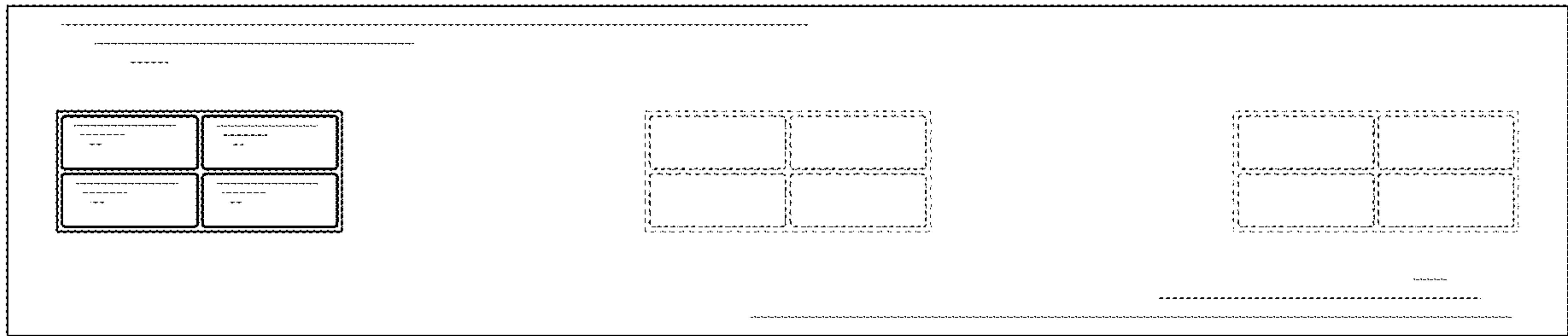


FIG. 7

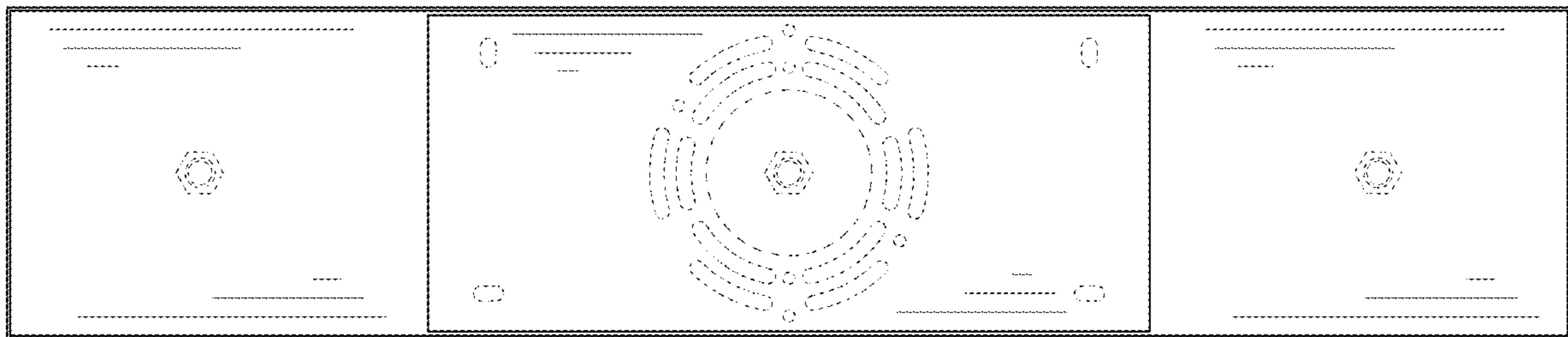


FIG. 8

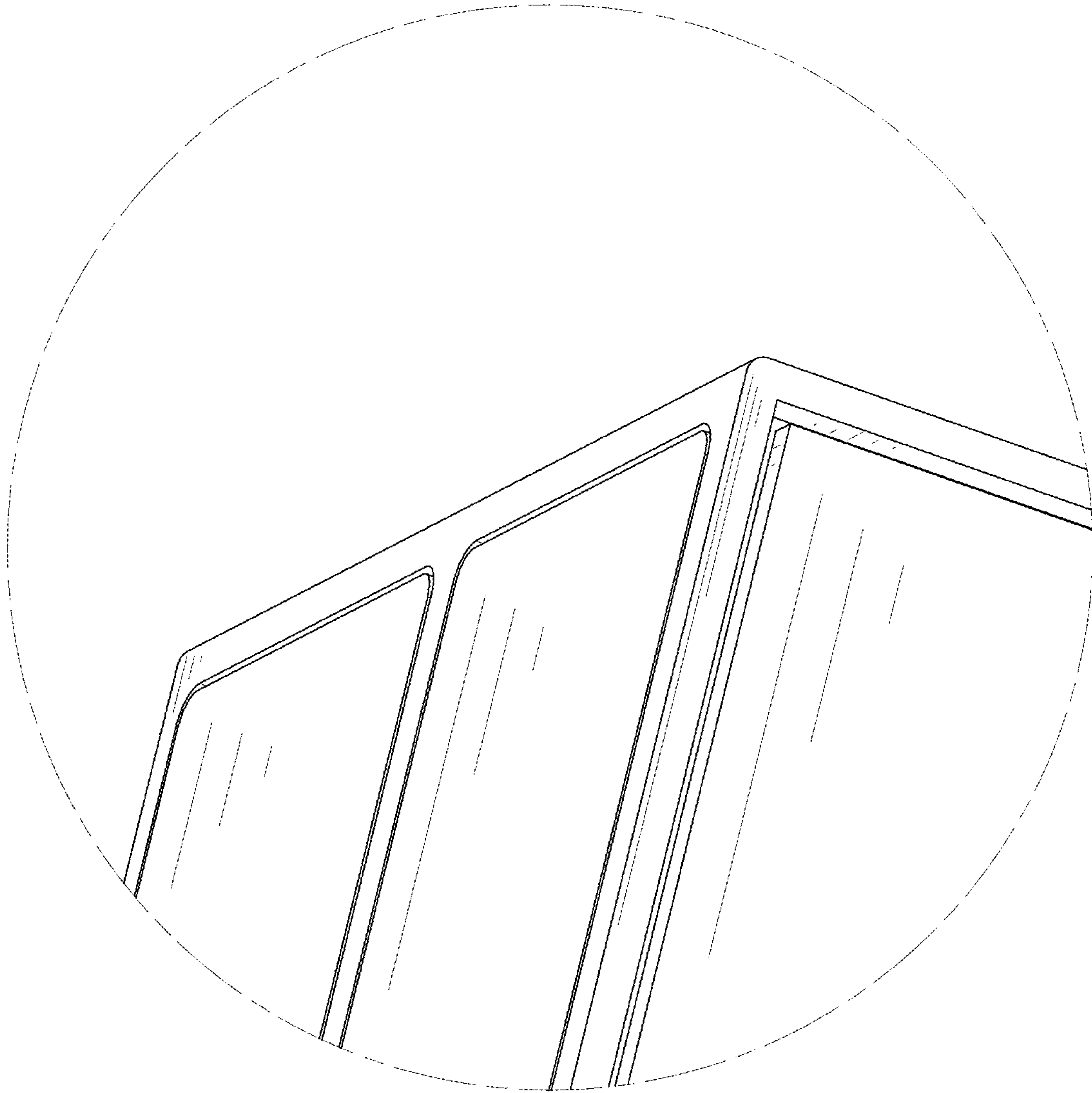


FIG. 9