



US00D945683S

(12) **United States Design Patent** (10) **Patent No.:** **US D945,683 S**
Zeng et al. (45) **Date of Patent:** **** Mar. 8, 2022**

(54) **SOLAR WALL LAMP**
(71) Applicant: **Zhejiang Twinsel Electronic Technology Co., Ltd., Zhejiang (CN)**
(72) Inventors: **Xueren Zeng, Zhejiang (CN); Zhenzhong Kong, Zhejiang (CN); Tenghai He, Zhejiang (CN); Xueyi Zeng, Zhejiang (CN); Jiawei Li, Zhejiang (CN); Lizong Hu, Zhejiang (CN); Rongqu Tang, Zhejiang (CN)**
(73) Assignee: **Zhejiang Twinsel Electronic Technology Co., Ltd., Ningbo (CN)**

D442,729 S * 5/2001 Ruggles D26/87
D465,048 S * 10/2002 Gaskins D26/72
D592,784 S * 5/2009 van den Dool D26/75
D642,709 S * 8/2011 Kang D26/26
D691,318 S * 10/2013 Wilcox D26/85
D764,093 S * 8/2016 Sabernig D26/85
D836,236 S * 12/2018 Deng D26/85
D836,818 S * 12/2018 Amato D26/85
D906,853 S * 1/2021 Kang D10/114.1

(Continued)

FOREIGN PATENT DOCUMENTS

DE RGN_402020100251- * 4/2020
0001

OTHER PUBLICATIONS

Solar Wall Lights (available online) Retrieved from the internet Oct. 15, 2021 from URL: <https://www.amazon.com/Solar-Wall-Lights-Outdoor-Waterproof/dp/B08ZJ5K3Q8>.*

(Continued)

Primary Examiner — Richard Kearney

(57) **CLAIM**

The ornamental design for a solar wall lamp, as shown and described.

DESCRIPTION

FIG. 1 is a top, front and right side perspective view of a solar wall lamp showing our new design;
FIG. 2 is a bottom, rear and left side perspective view thereof;
FIG. 3 is a front elevational view thereof;
FIG. 4 is a rear elevational view thereof;
FIG. 5 is a left side view thereof;
FIG. 6 is a right side view thereof;
FIG. 7 is a top plan view thereof; and,
FIG. 8 is a bottom plan view thereof.
The broken lines in the drawings illustrate portions of the solar wall lamp which form no part of the claimed design.

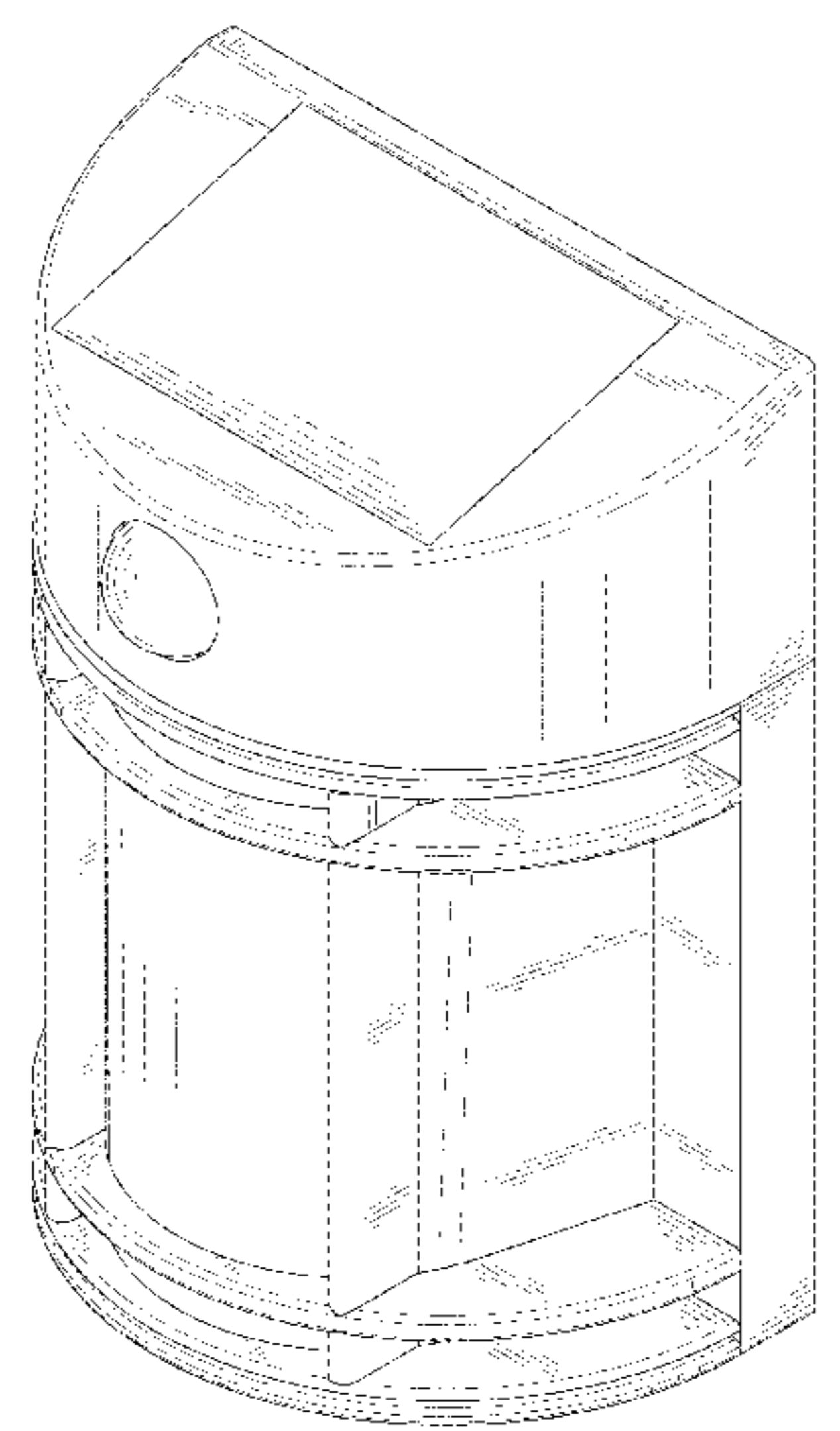
1 Claim, 8 Drawing Sheets

(**) Term: **15 Years**
(21) Appl. No.: **29/718,812**
(22) Filed: **Dec. 29, 2019**
(51) **LOC (13) Cl.** **26-05**
(52) **U.S. Cl.**
USPC **D26/85**
(58) **Field of Classification Search**
USPC D10/106.6, 106.8, 111-115; D26/24, 26, D26/34, 44, 51, 58, 60, 61, 63, 67, 68, D26/71, 72, 74, 75, 76, 78, 80-89, 92, D26/93, 102, 104, 106, 108, 110, 113, D26/117-121, 135, 137, 141, 142, 148
CPC F21S 8/00; F21S 8/02; F21S 8/03; F21S 8/033; F21S 8/032; F21S 8/036; F21S 8/04; F21S 8/043; F21S 8/08; F21S 8/081; F21S 8/086; F21S 8/088; F21S 9/00; F21S 9/03; F21S 9/032; F21S 9/035; F21S 9/037
See application file for complete search history.

(56) **References Cited**

U.S. PATENT DOCUMENTS

D114,805 S * 5/1939 Brooks D26/85
D323,897 S * 2/1992 Compton D26/24
D434,863 S * 12/2000 Boessel D26/26



(56)

References Cited

U.S. PATENT DOCUMENTS

D932,677 S * 10/2021 Cai D26/85

OTHER PUBLICATIONS

Hampton_Bay (available online) Retrieved from the internet Oct. 15, 2021 from URL: <https://www.homedepot.com/p/Hampton-Bay-120-Degree-Solar-Filament-Black-Motion-Sensing-Outdoor-Integrated-LED-Stair-Light-SL1836/313961366>.*

* cited by examiner

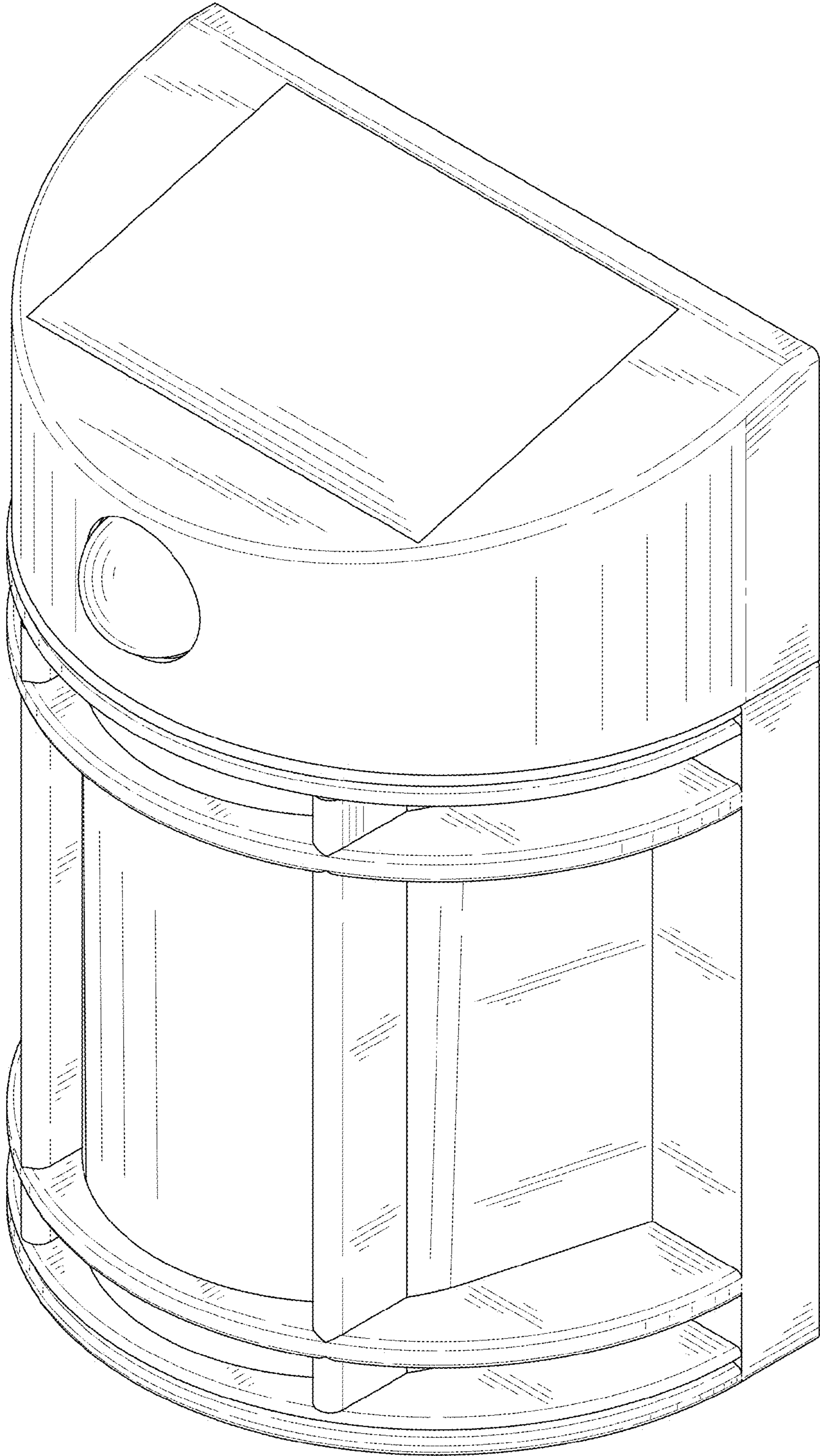


FIG. 1

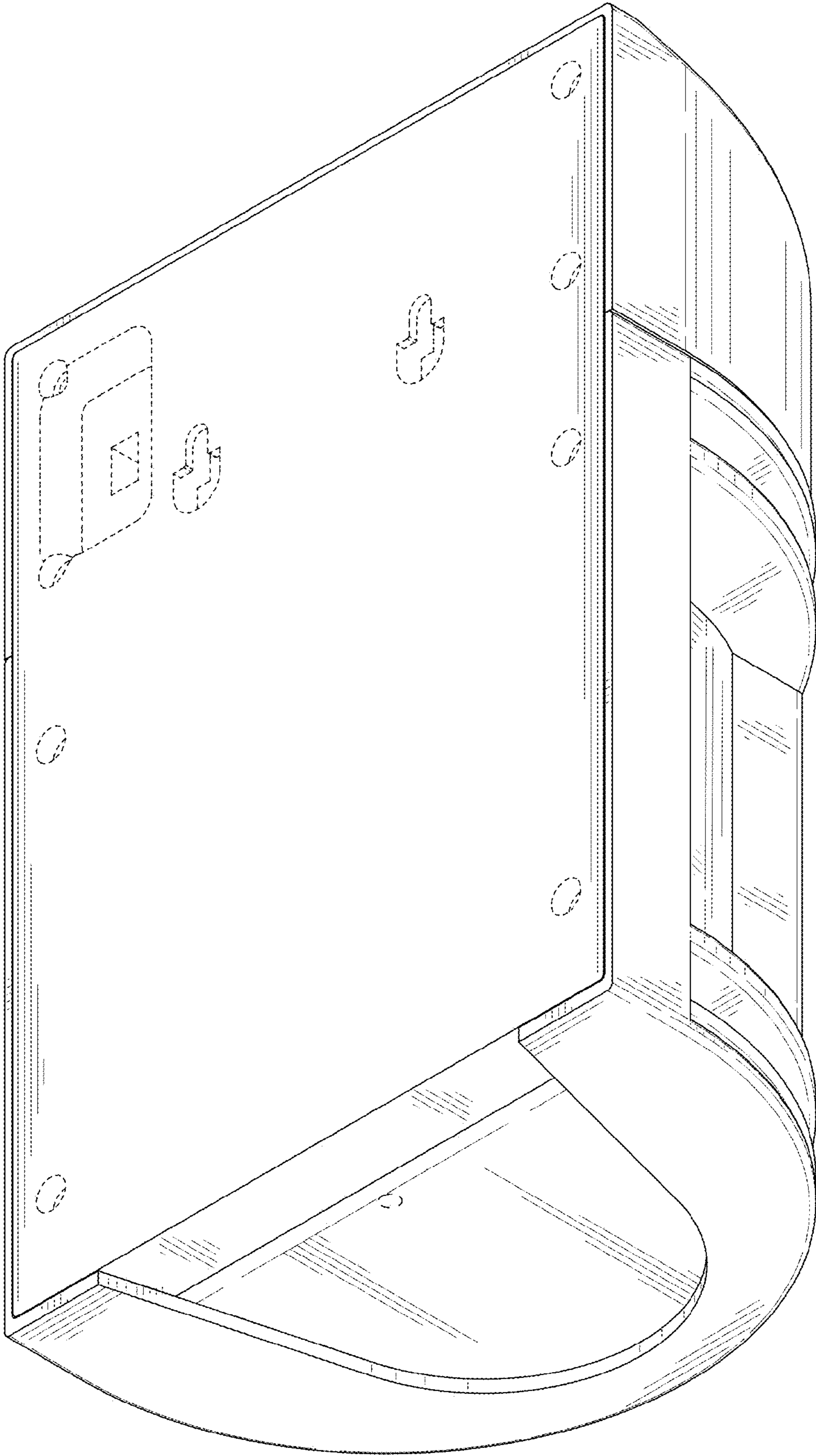


FIG. 2

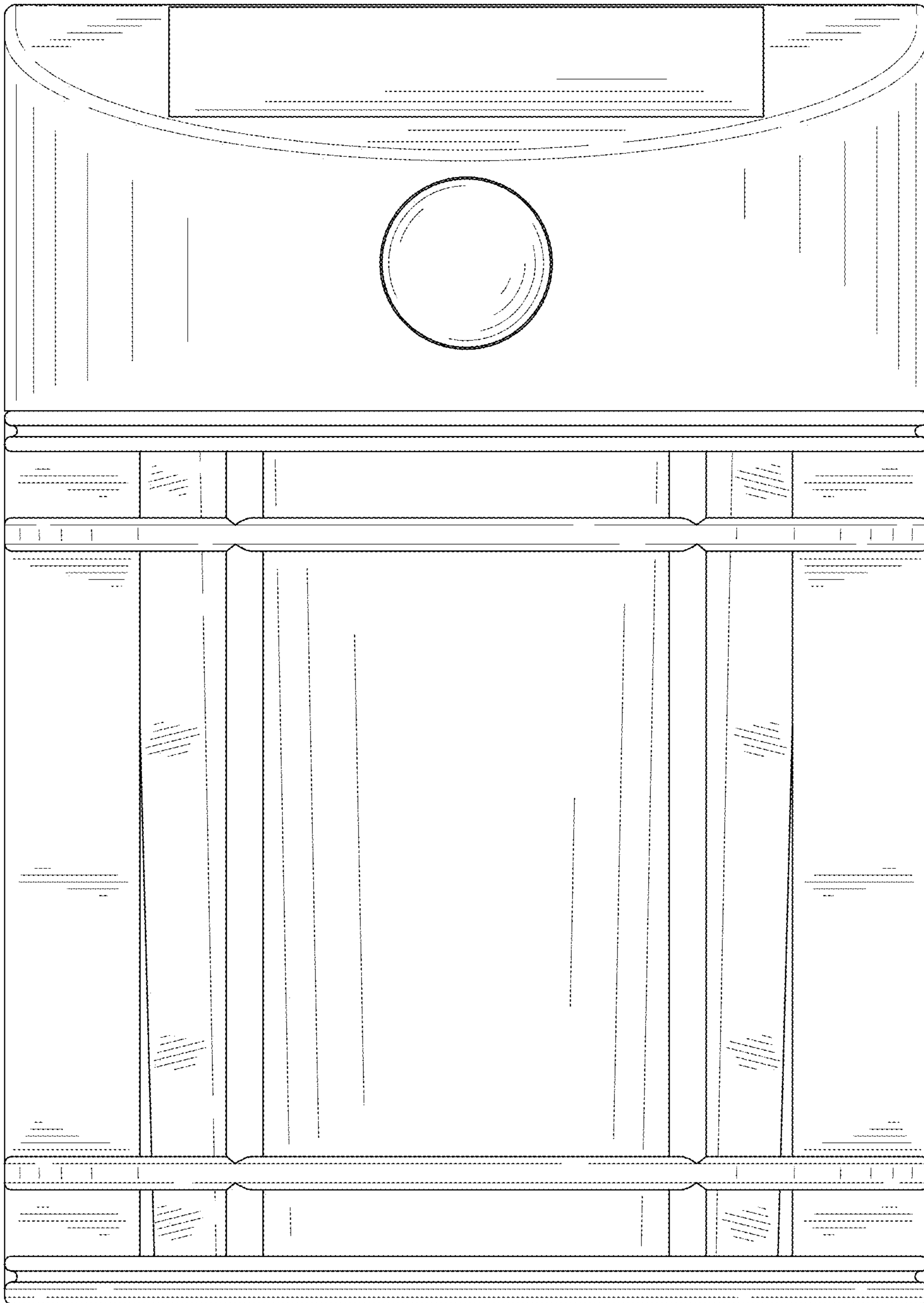


FIG. 3

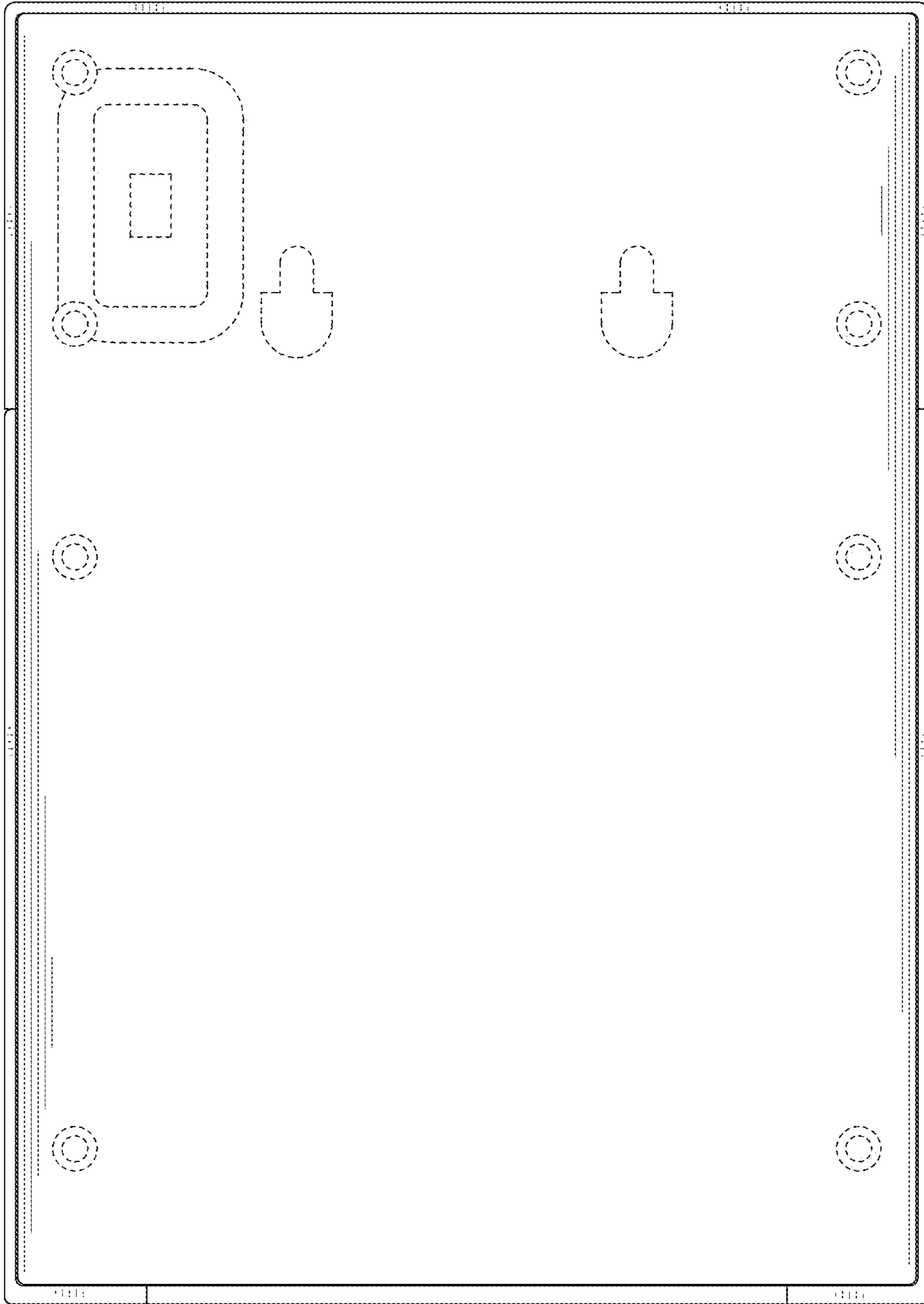


FIG. 4

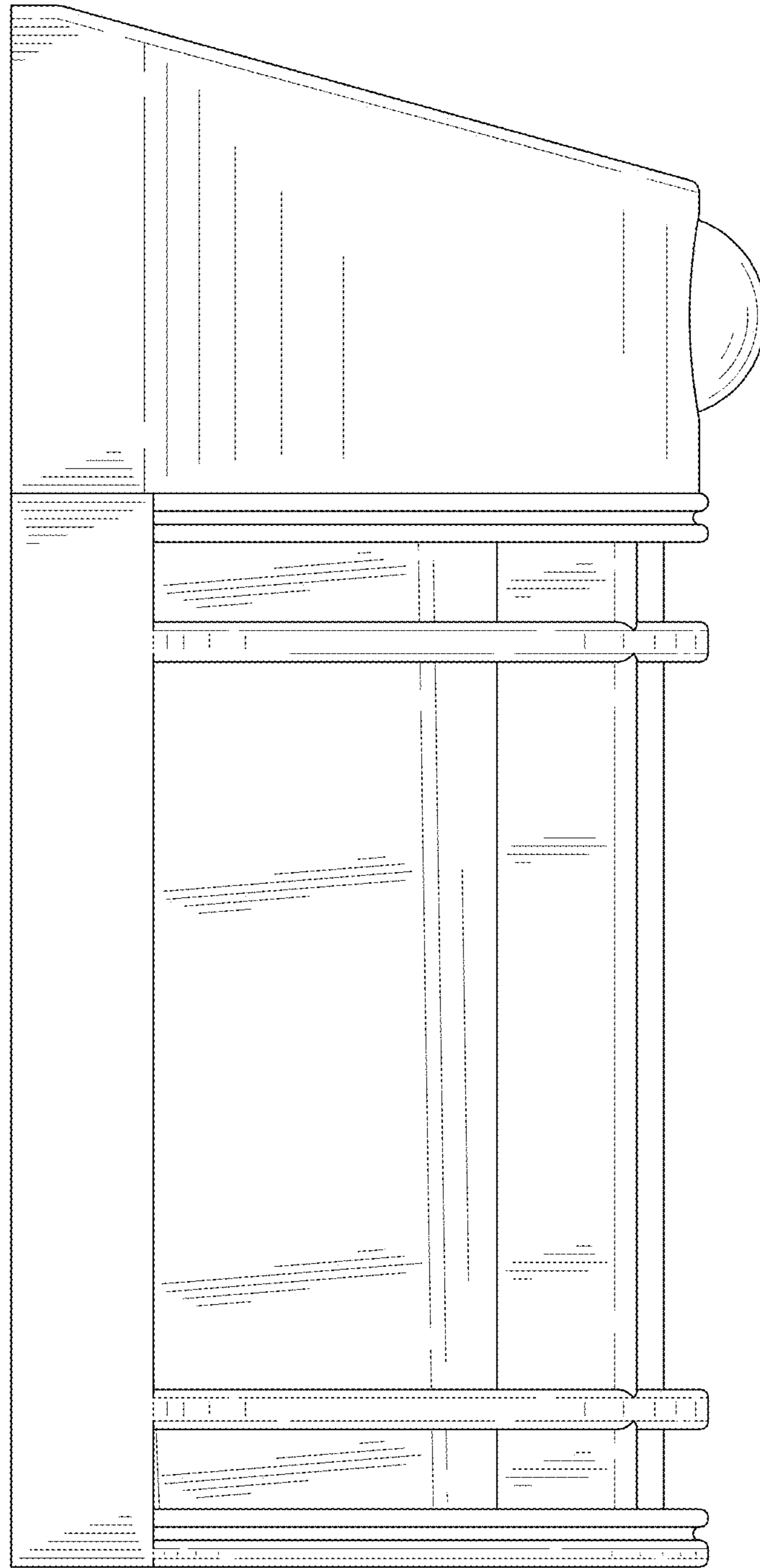


FIG. 5

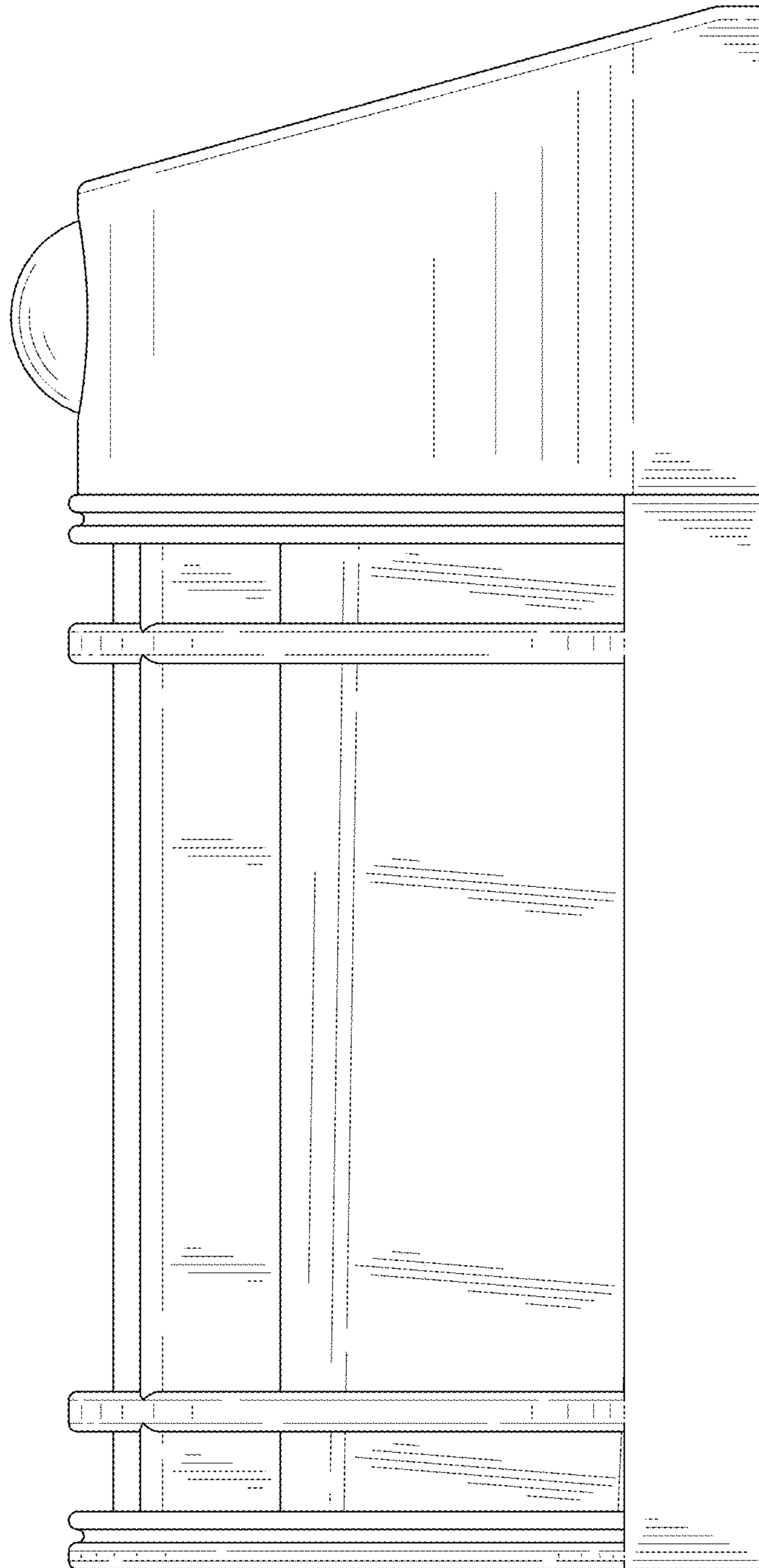


FIG. 6

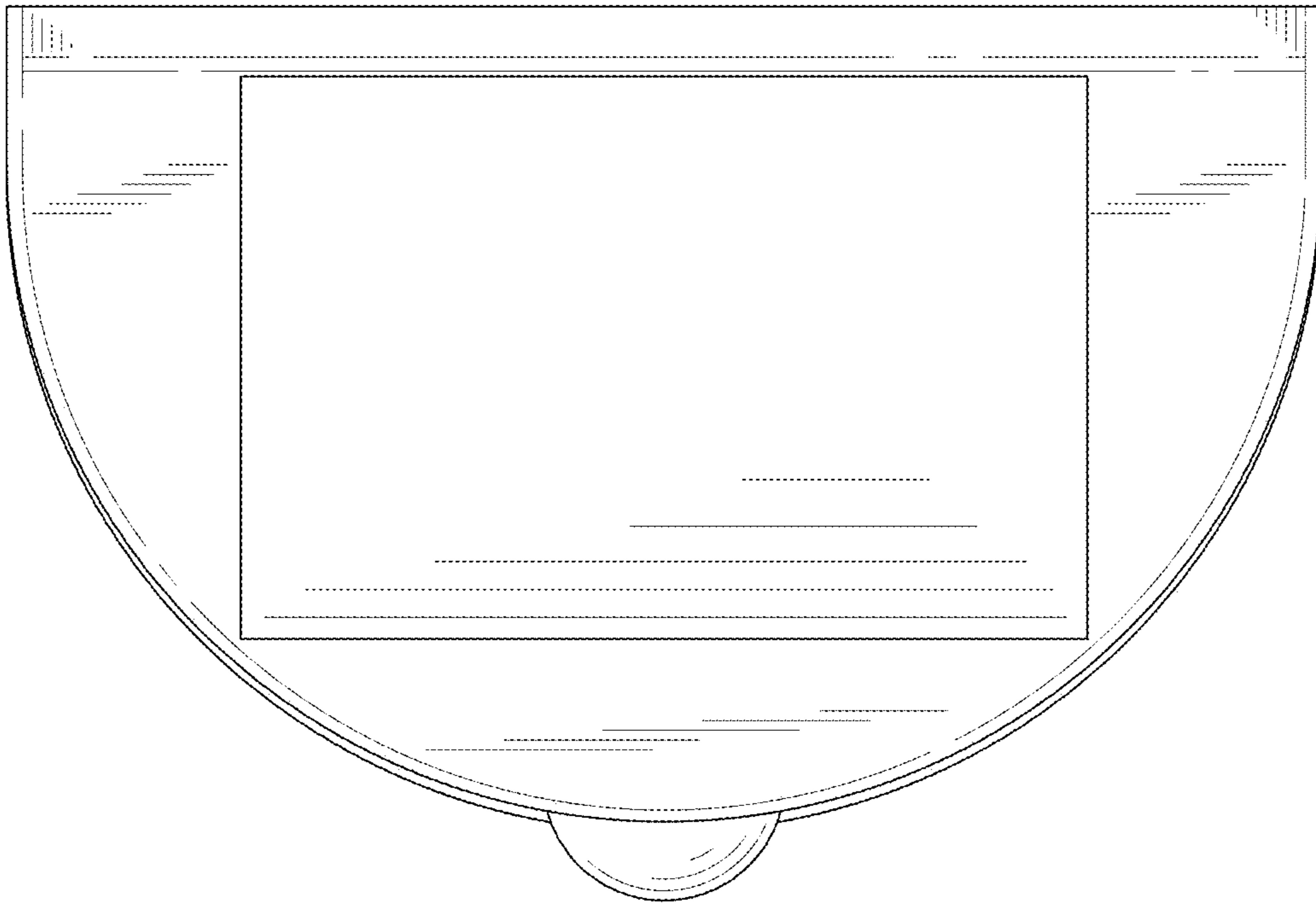


FIG. 7

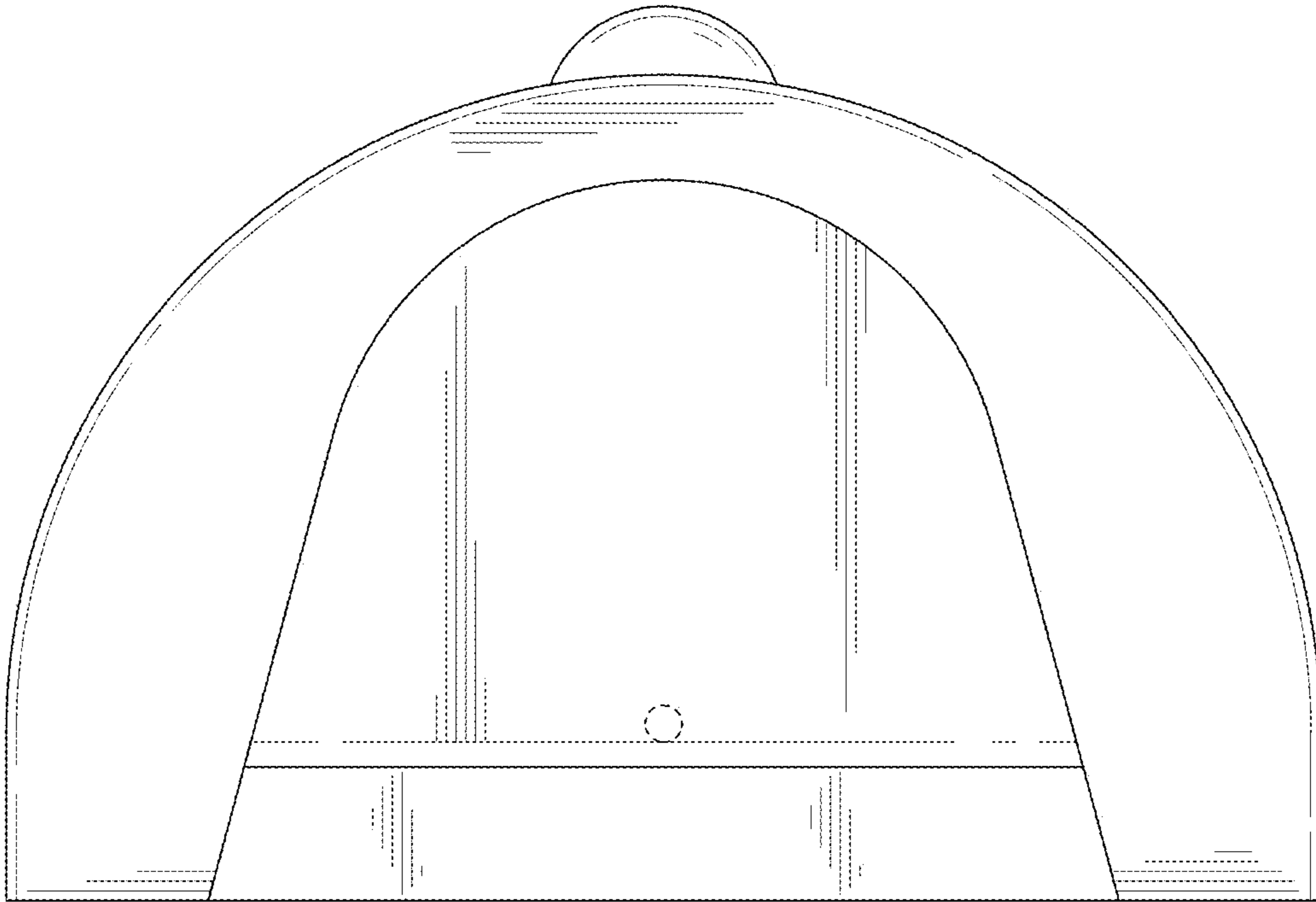


FIG. 8