



US00D945682S

(12) **United States Design Patent** (10) **Patent No.:** **US D945,682 S**
Liu (45) **Date of Patent:** **** Mar. 8, 2022**

(54) **SOLAR LIGHT**

(71) Applicant: **Shenzhen Much Technology Co., Ltd.**,
Guangdong (CN)

(72) Inventor: **Zengshou Liu**, Shenzhen (CN)

(73) Assignee: **Shenzhen Much Technology Co., LTD.**,
Guangdong (CN)

(**) Term: **15 Years**

(21) Appl. No.: **29/711,399**

(22) Filed: **Oct. 30, 2019**

(30) **Foreign Application Priority Data**

Sep. 19, 2019 (CN) 201930514871.9

(51) **LOC (13) Cl.** **26-05**

(52) **U.S. Cl.**
USPC **D26/85**

(58) **Field of Classification Search**

USPC D10/111–115; D26/24, 26, 34, 44, 51,
D26/58, 60, 61, 63, 67, 68, 71, 72, 74,
D26/75, 76, 78, 80–89, 92, 93, 102, 104,
D26/106, 108, 110, 113, 117–121, 135,
D26/137, 141, 142, 148
CPC F21S 8/00; F21S 8/02; F21S 8/03; F21S
8/033; F21S 8/032; F21S 8/036; F21S
8/04; F21S 8/043; F21S 8/08; F21S
8/081; F21S 8/086; F21S 8/088; F21S
9/00; F21S 9/03; F21S 9/032; F21S
9/035; F21S 9/037

See application file for complete search history.

(56) **References Cited**

U.S. PATENT DOCUMENTS

D836,816 S *	12/2018	Liu	D26/85
D841,218 S *	2/2019	Liu	D26/85
D841,864 S *	2/2019	Liu	D26/85
D866,043 S *	11/2019	Hu	D26/85
D875,991 S *	2/2020	Wan	D26/85
D875,992 S *	2/2020	Khubani	D26/85
D879,352 S *	3/2020	Liu	D26/85
D896,428 S *	9/2020	Pan	D26/85
D897,588 S *	9/2020	Liu	D26/85
D899,665 S *	10/2020	Hui	D26/85
D913,558 S *	3/2021	Hu	D26/72
D923,854 S *	6/2021	Huang	D26/85

* cited by examiner

Primary Examiner — Richard Kearney

(74) *Attorney, Agent, or Firm* — Raymond Y. Chan;
David and Raymond Patent Firm

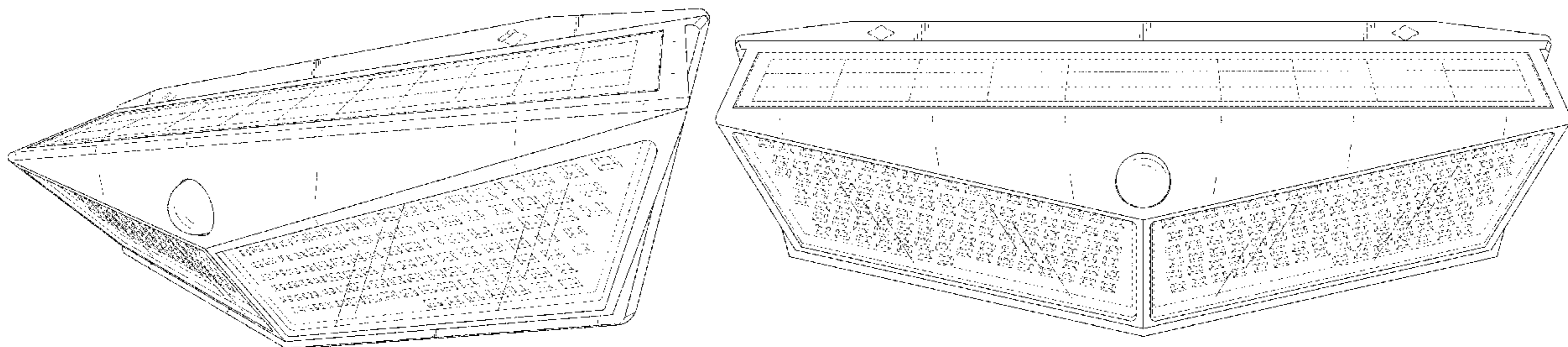
(57) **CLAIM**

The ornamental design for a solar light, as shown and described.

DESCRIPTION

FIG. 1 is a perspective view of the solar light showing my new design;
FIG. 2 is a front view of the solar light;
FIG. 3 is a rear view of the solar light;
FIG. 4 is a left view of the solar light;
FIG. 5 is a right view of the solar light;
FIG. 6 is a top view of the solar light; and,
FIG. 7 is a bottom view of the solar light.
The surface(s) or portion(s) of the article shown in broken lines in the drawings being for illustrative purpose only and forming no part of the claimed design.

1 Claim, 7 Drawing Sheets



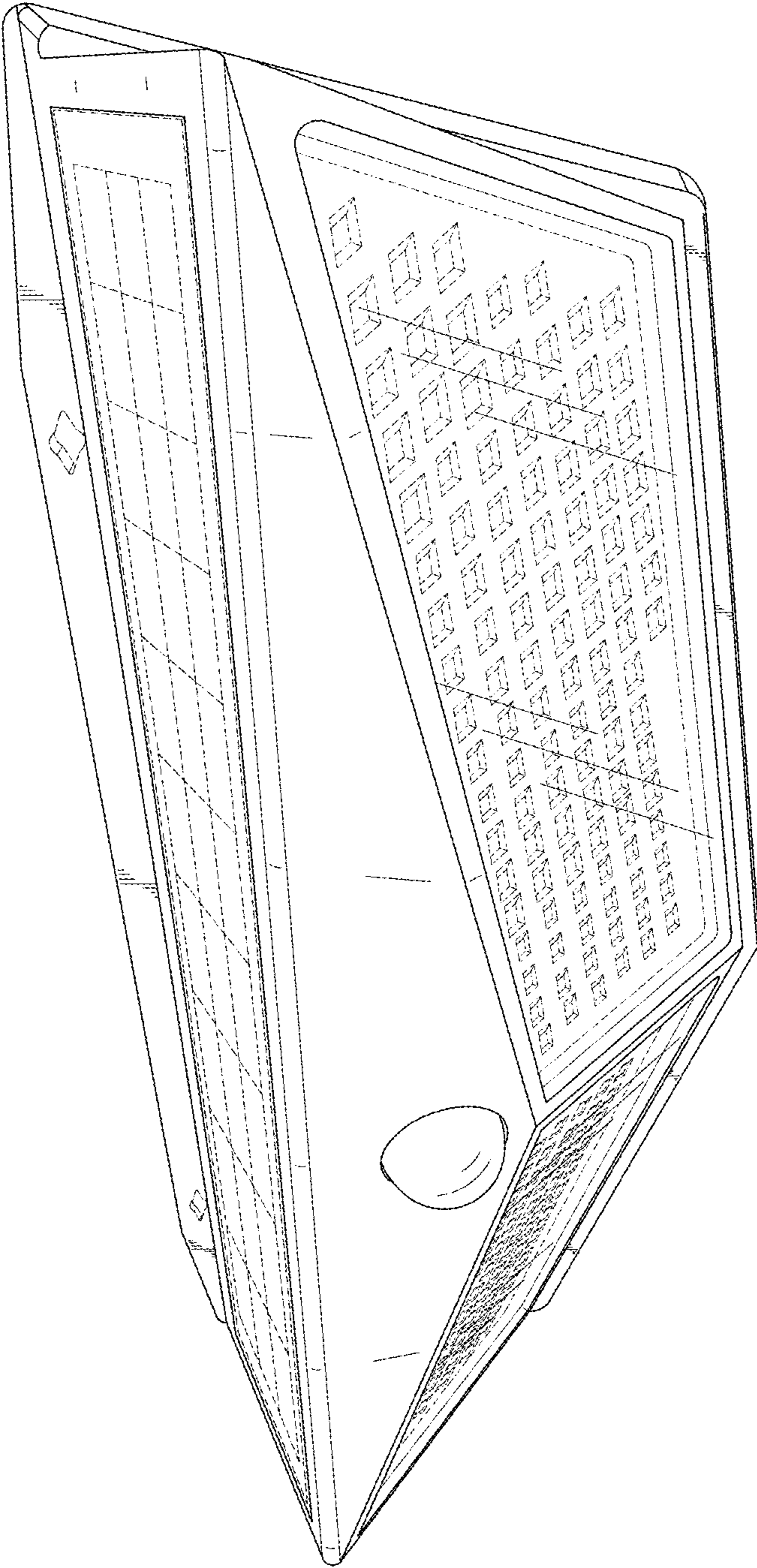


FIG 1

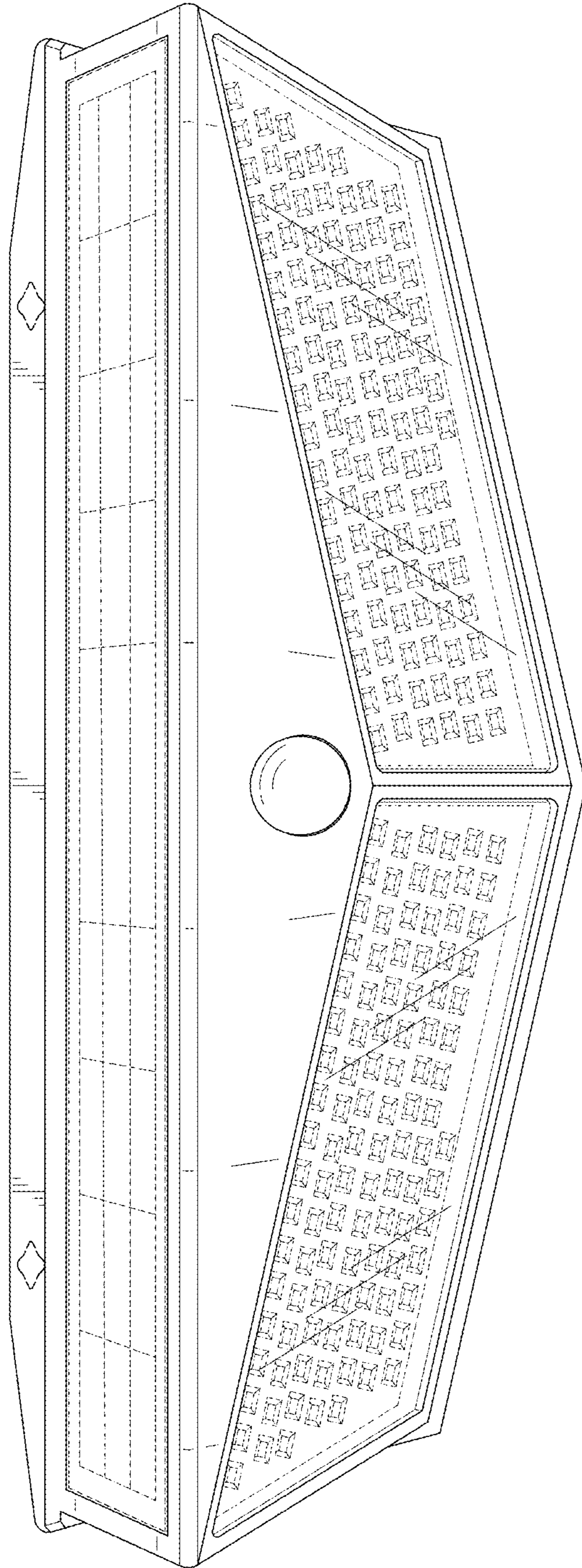


FIG2

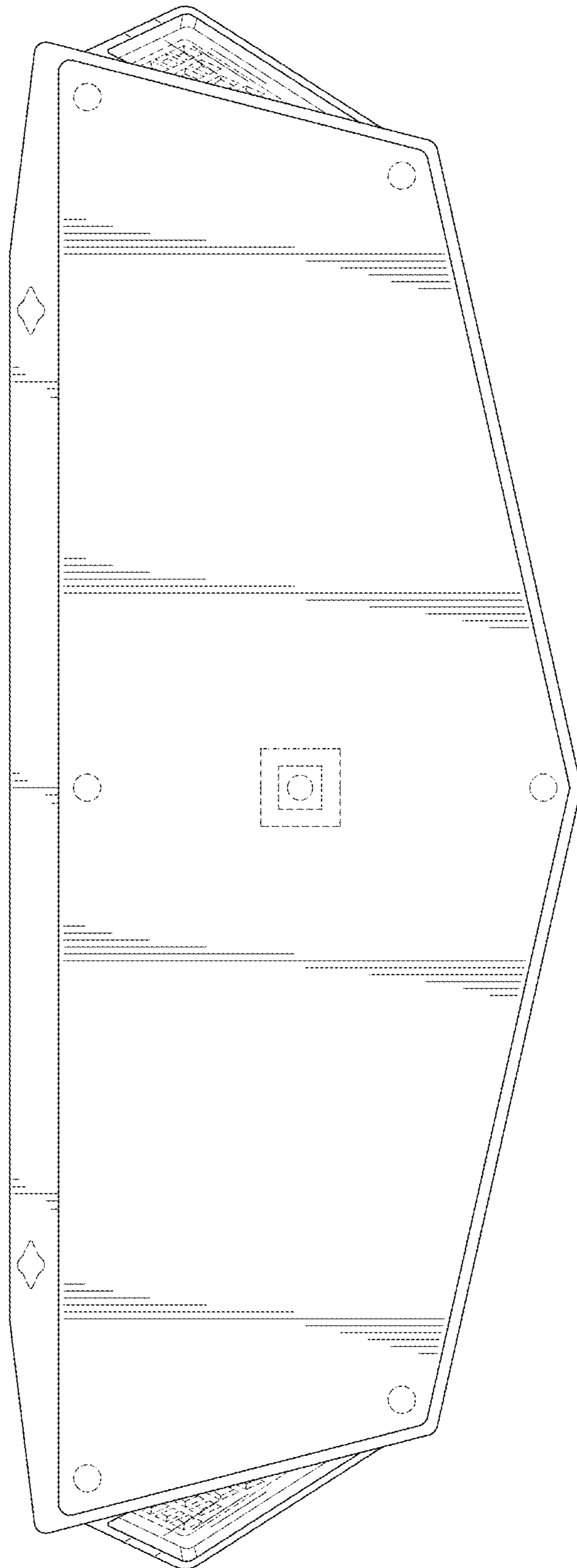


FIG3

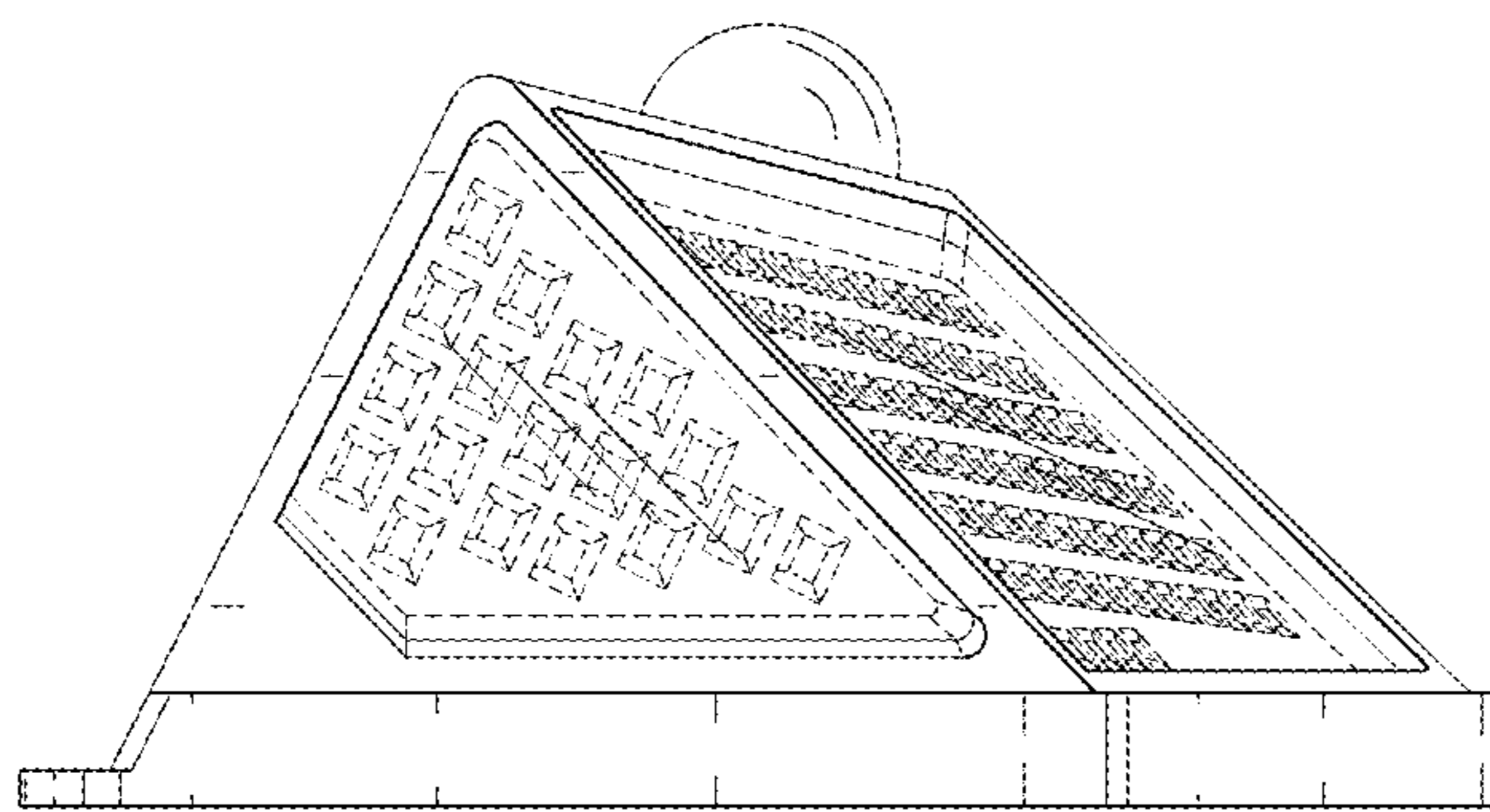


FIG4

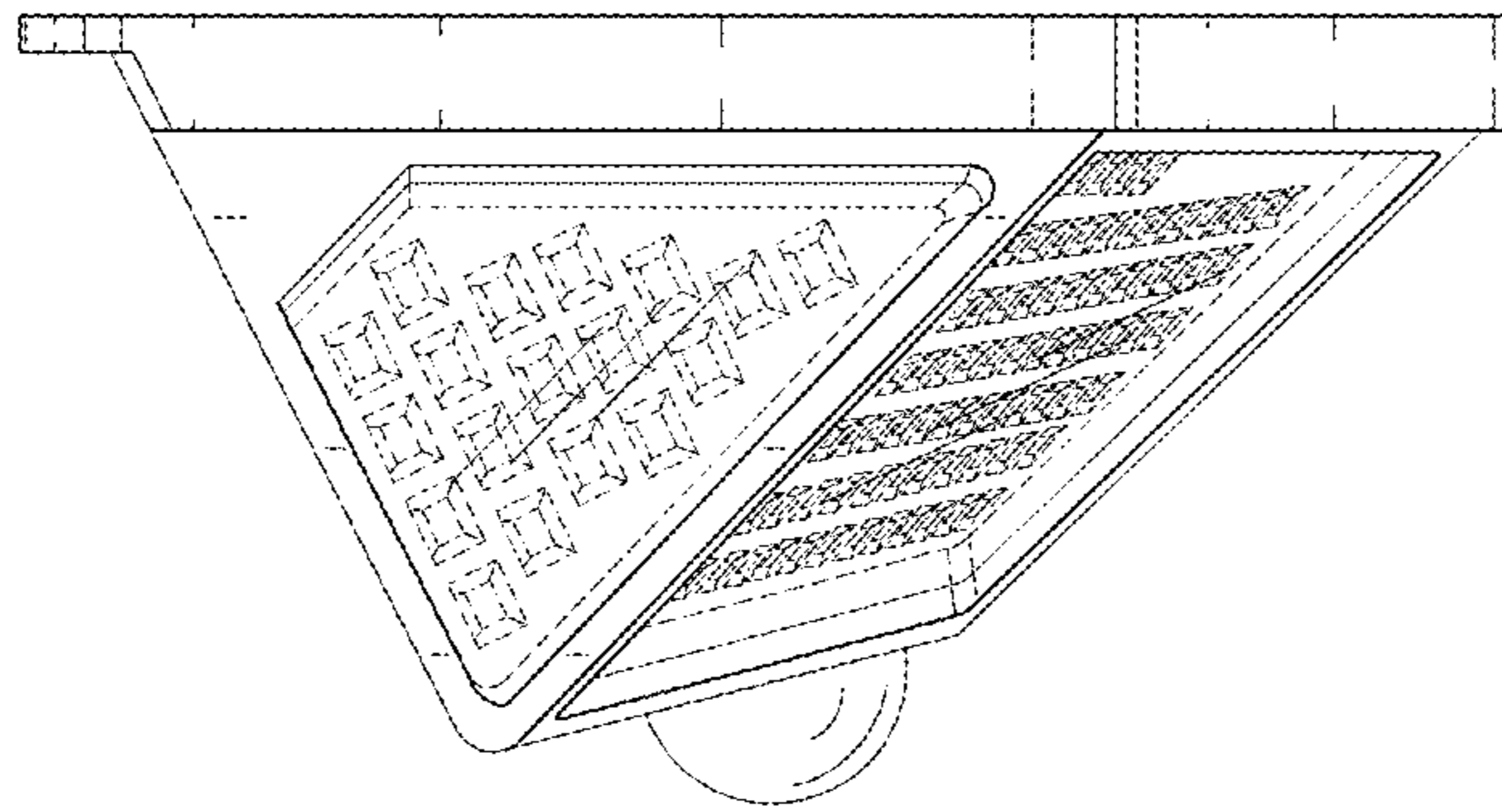


FIG5

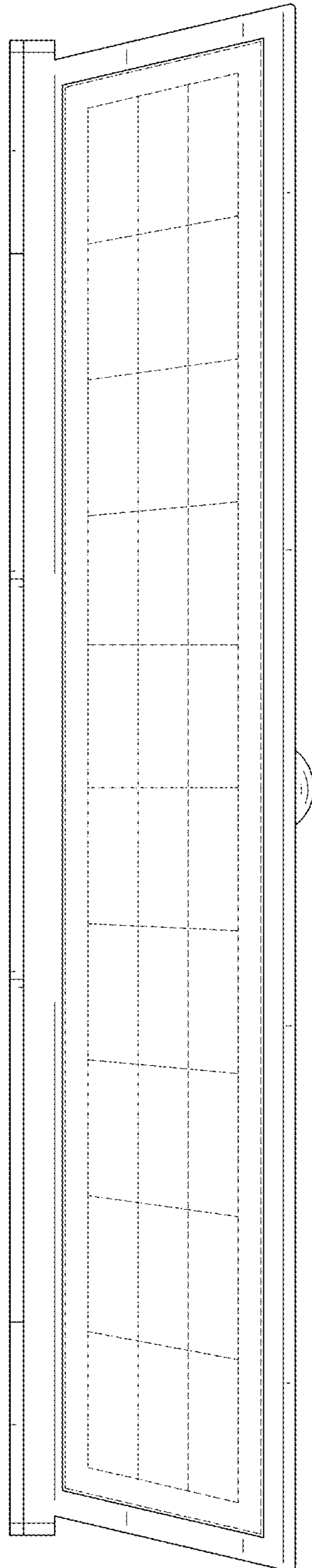


FIG6

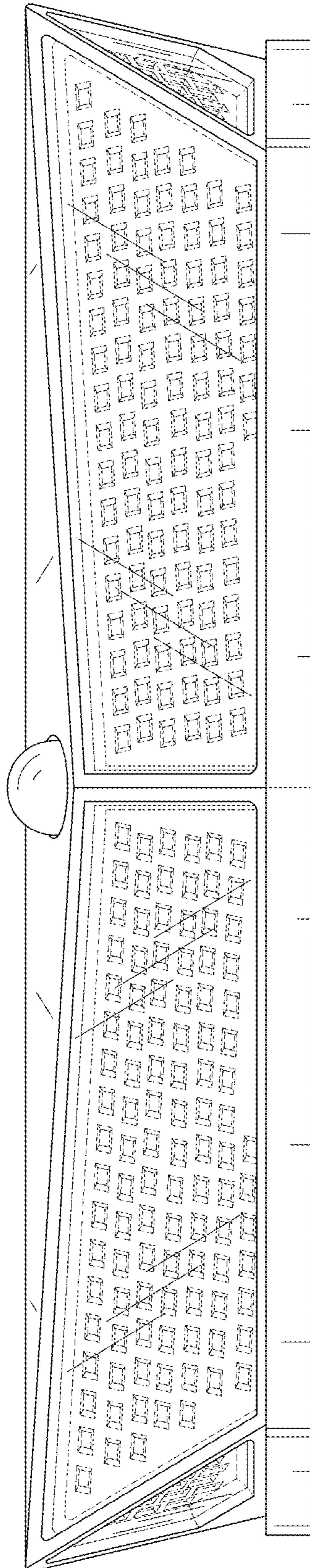


FIG7