



US00D945681S

(12) **United States Design Patent**
Liu

(10) **Patent No.:** **US D945,681 S**
(45) **Date of Patent:** **** Mar. 8, 2022**

(54) **SOLAR LAMP**
(71) Applicant: **SHENZHEN ENNOPLUS TECHNOLOGY CO., LTD.**, Shenzhen (CN)
(72) Inventor: **Hangyu Liu**, Shenzhen (CN)
(73) Assignee: **SHENZHEN ENNOPLUS TECHNOLOGY CO., LTD.**, Shenzhen (CN)

D861,226 S * 9/2019 Liu D26/85
D882,855 S * 4/2020 Liu D26/85
D884,250 S * 5/2020 Rao D26/85
D890,402 S * 7/2020 Liu D26/72
D893,080 S * 8/2020 Zhang D26/85
D896,428 S * 9/2020 Pan D26/85
D923,854 S * 6/2021 Huang D26/85

(**) Term: **15 Years**

(21) Appl. No.: **29/709,435**

(22) Filed: **Oct. 15, 2019**

(51) **LOC (13) Cl.** **26-05**

(52) **U.S. Cl.**
USPC **D26/85**

(58) **Field of Classification Search**
USPC D10/111–115; D26/24, 26, 34, 44, 51, D26/58, 60, 61, 63, 67, 68, 71, 72, 74, D26/75, 76, 78, 80–89, 92, 93, 102, 104, D26/106, 108, 110, 113, 117, 118, 119, D26/120, 121, 135, 137, 141, 142, 148
CPC F21S 8/00; F21S 8/02; F21S 8/03; F21S 8/033; F21S 8/032; F21S 8/036; F21S 8/04; F21S 8/043; F21S 8/08; F21S 8/081; F21S 8/086; F21S 8/088; F21S 9/00; F21S 9/03; F21S 9/032; F21S 9/035; F21S 9/037
See application file for complete search history.

FOREIGN PATENT DOCUMENTS

CN 110274199 * 9/2019

OTHER PUBLICATIONS

China_Customized_40_LED (available online) Retrieved from the internet Oct. 4, 2021 from URL: <https://www.ennoplus.com/solar-garden-lights/solar-motion-sensor-lights/40-led-solar-power-pir-motion-sensor-garden.html>.*

* cited by examiner

Primary Examiner — Richard Kearney

(57) **CLAIM**

The ornamental design for a solar lamp, shown and described.

DESCRIPTION

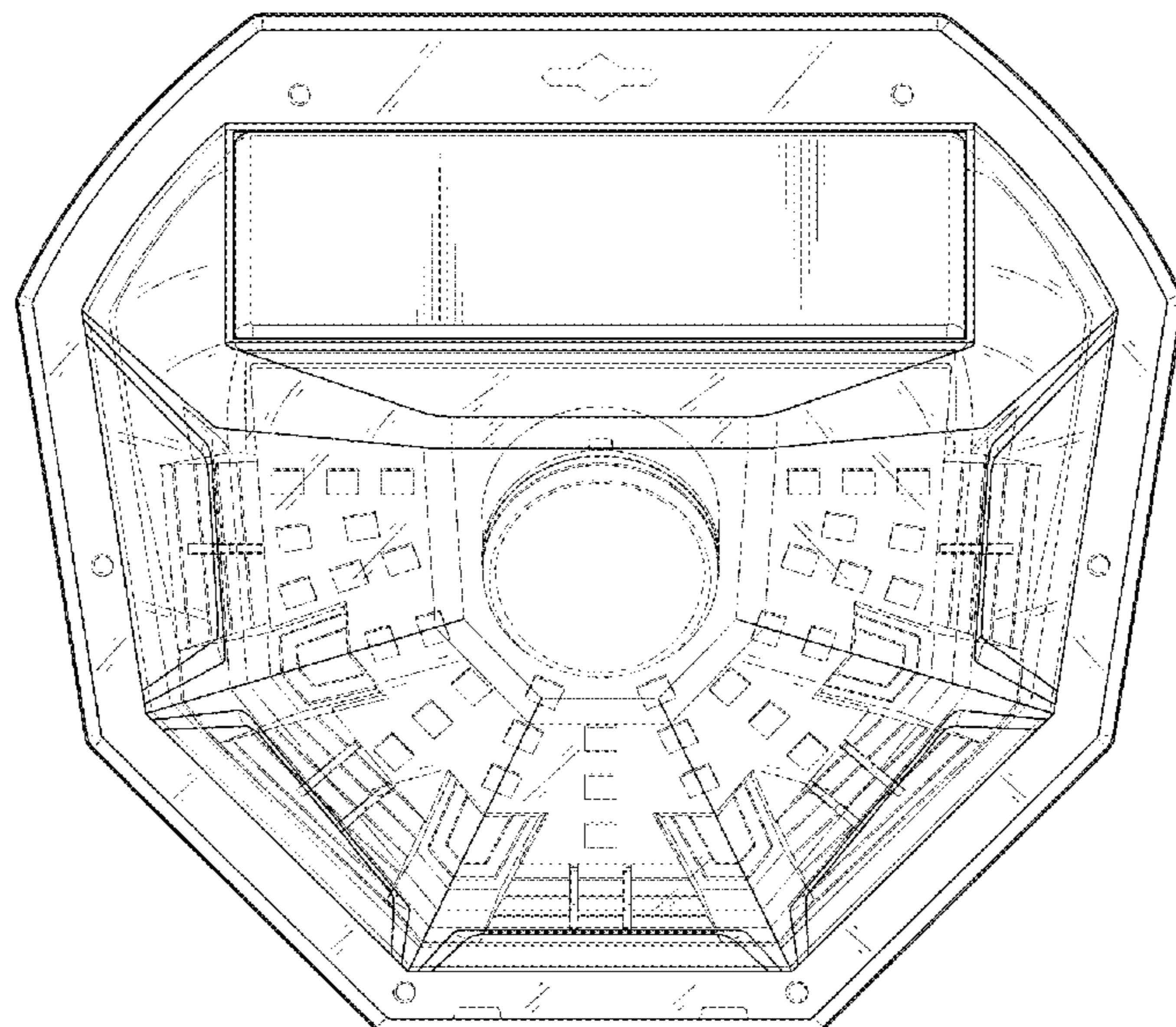
FIG. 1 is a first perspective view of a solar lamp; FIG. 2 is a second perspective view thereof; FIG. 3 is a front elevation view thereof; FIG. 4 is a rear elevation view thereof; FIG. 5 is a left side elevation view thereof; FIG. 6 is a right side elevation view thereof; FIG. 7 is a top plan the view thereof; and, FIG. 8 is a bottom plan the view thereof. The broken lines shown in the drawings are included for the purpose of illustrating portions of the article that form no part of the claimed design.

(56) **References Cited**

U.S. PATENT DOCUMENTS

D841,218 S * 2/2019 Liu D26/85
D844,213 S * 3/2019 Liu D26/85
D848,049 S * 5/2019 Hu D26/85
D861,224 S * 9/2019 Hu D26/85

1 Claim, 8 Drawing Sheets



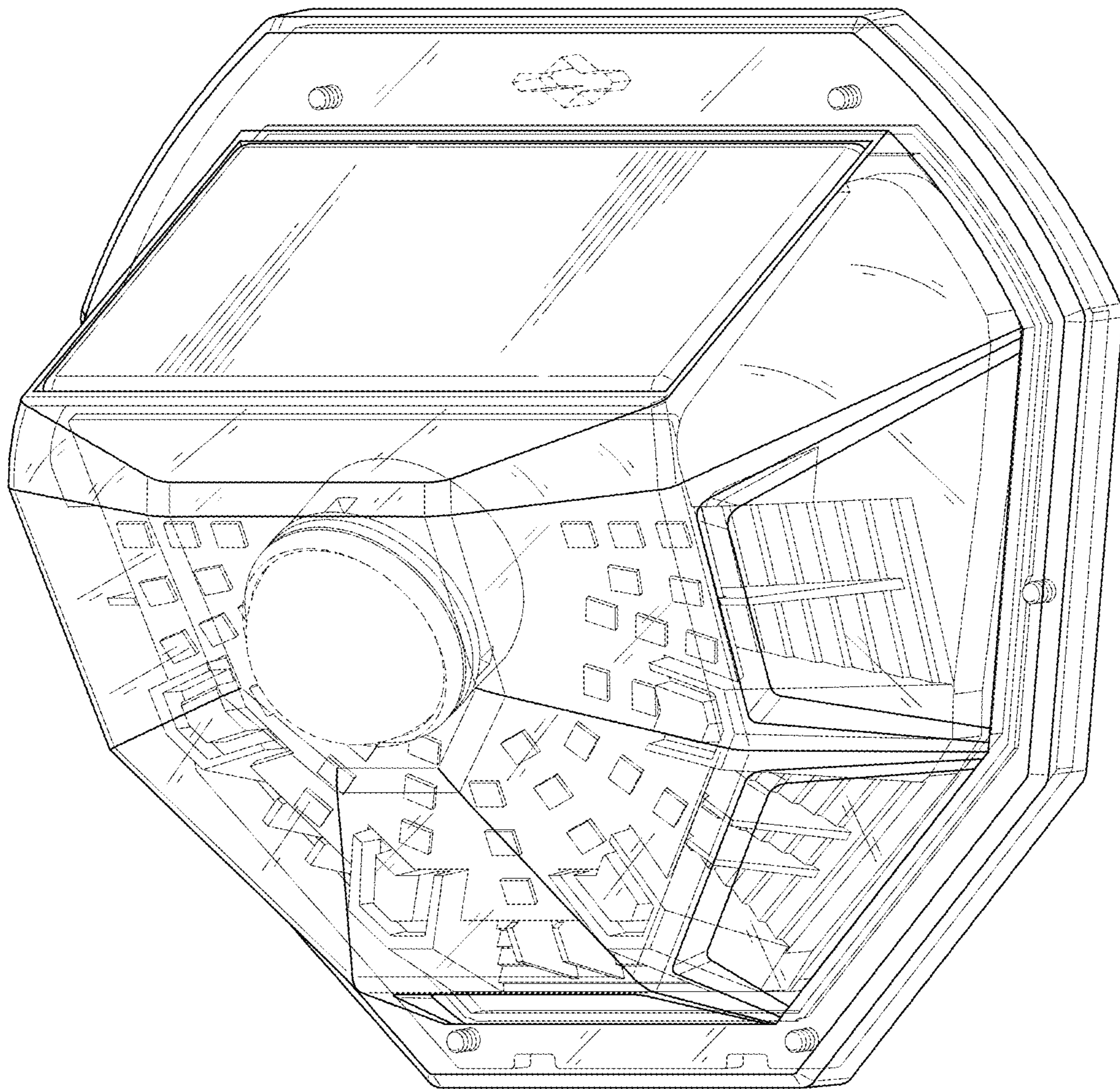


FIG. 1

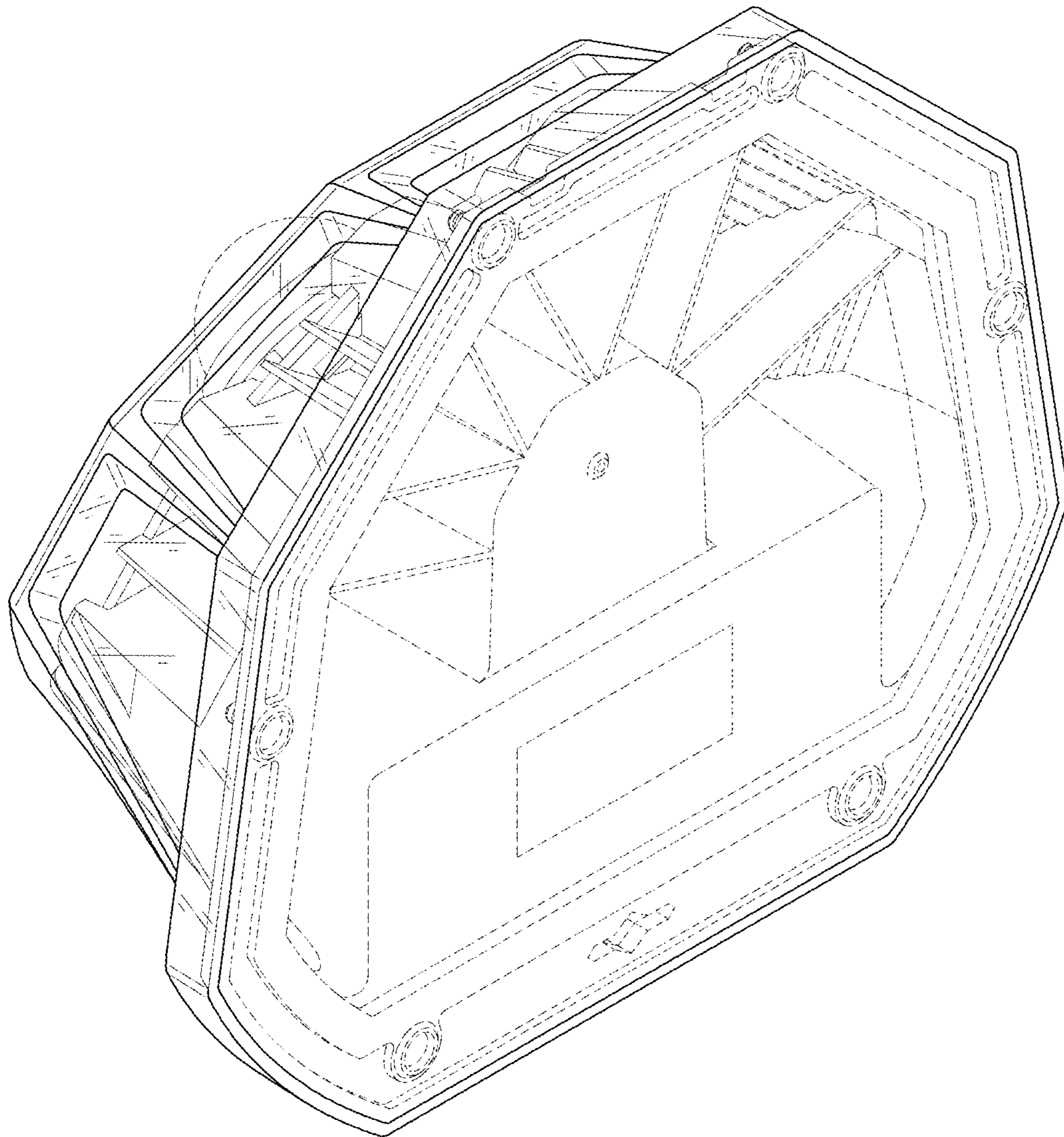


FIG. 2

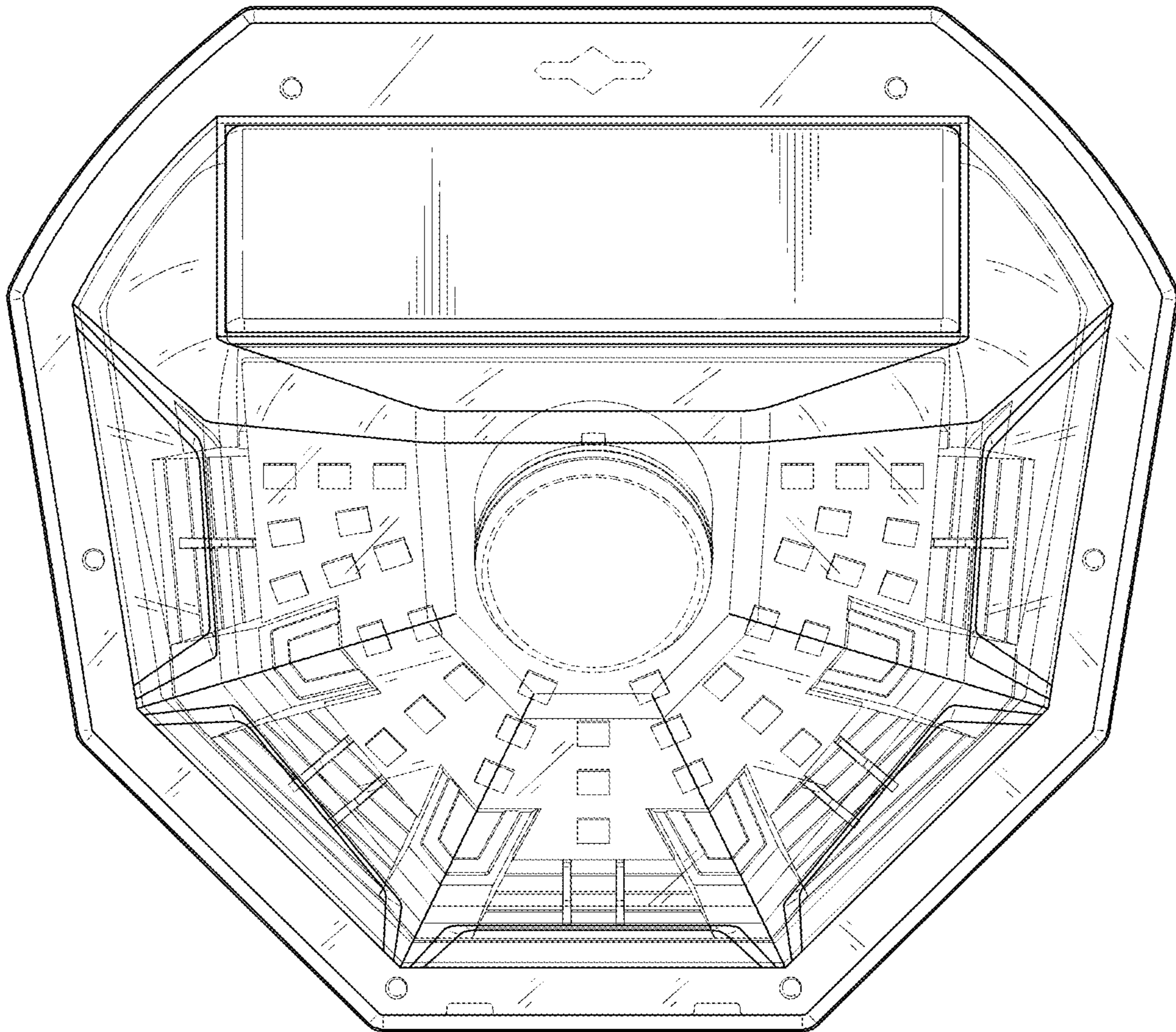


FIG. 3

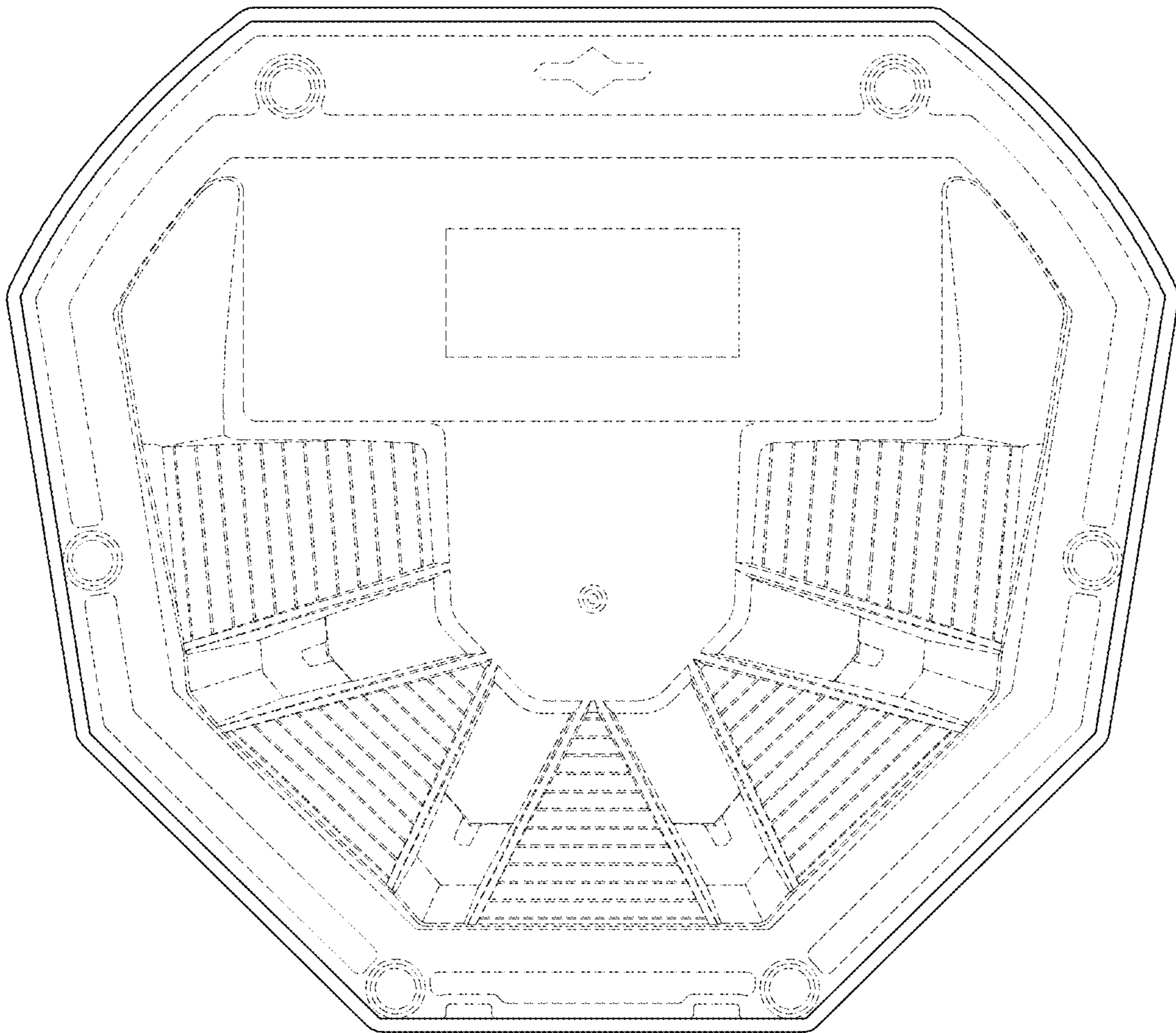


FIG. 4

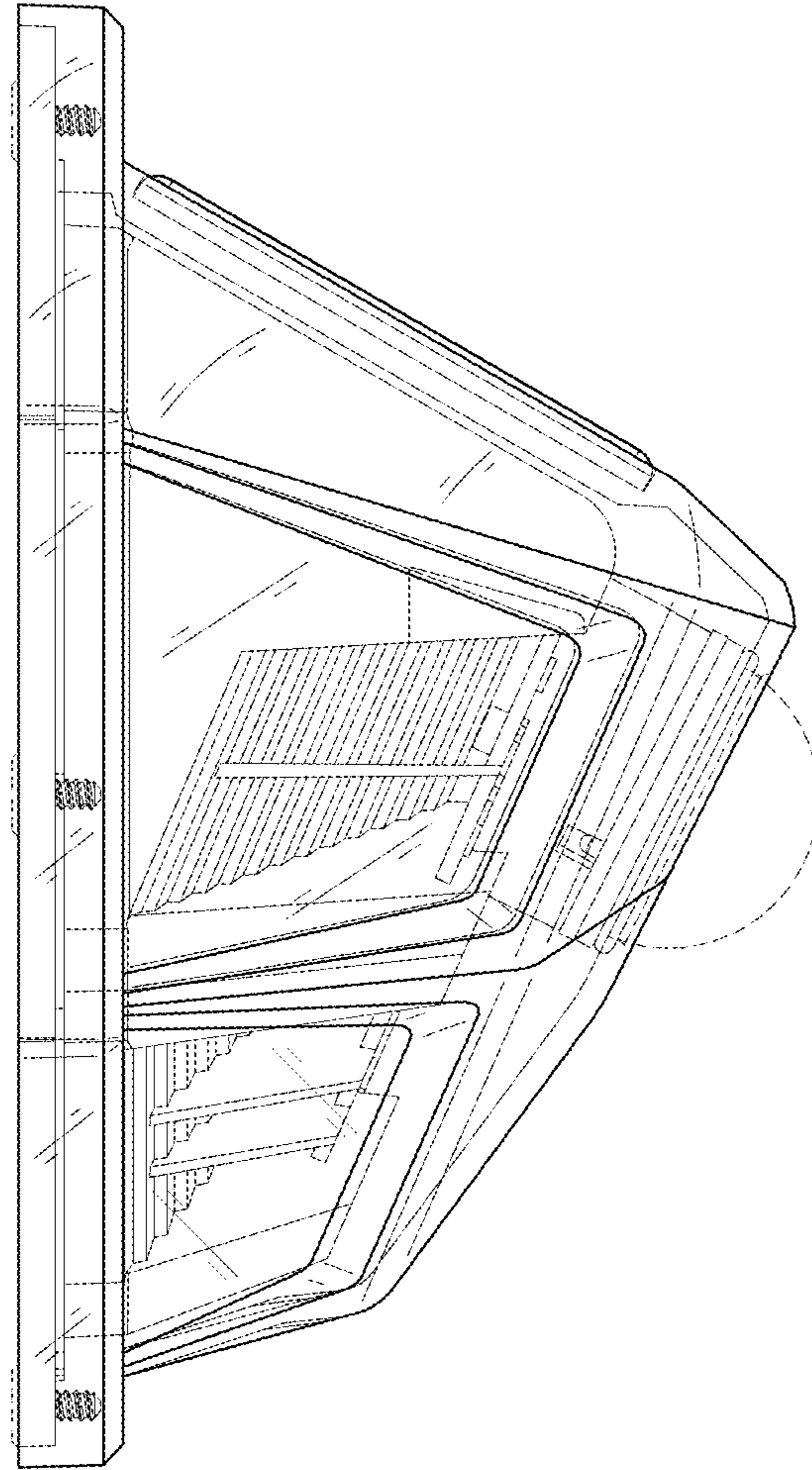


FIG. 5

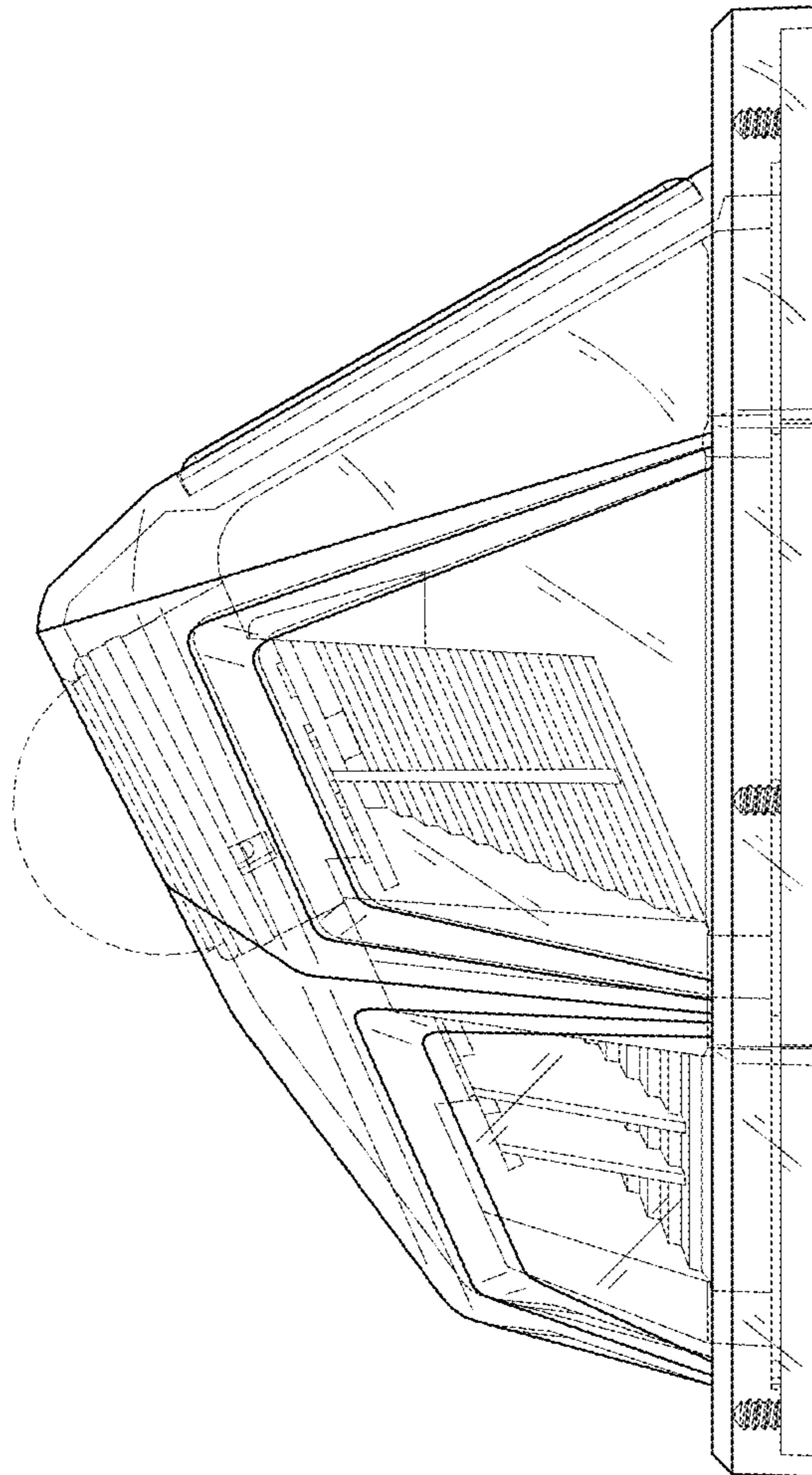


FIG. 6

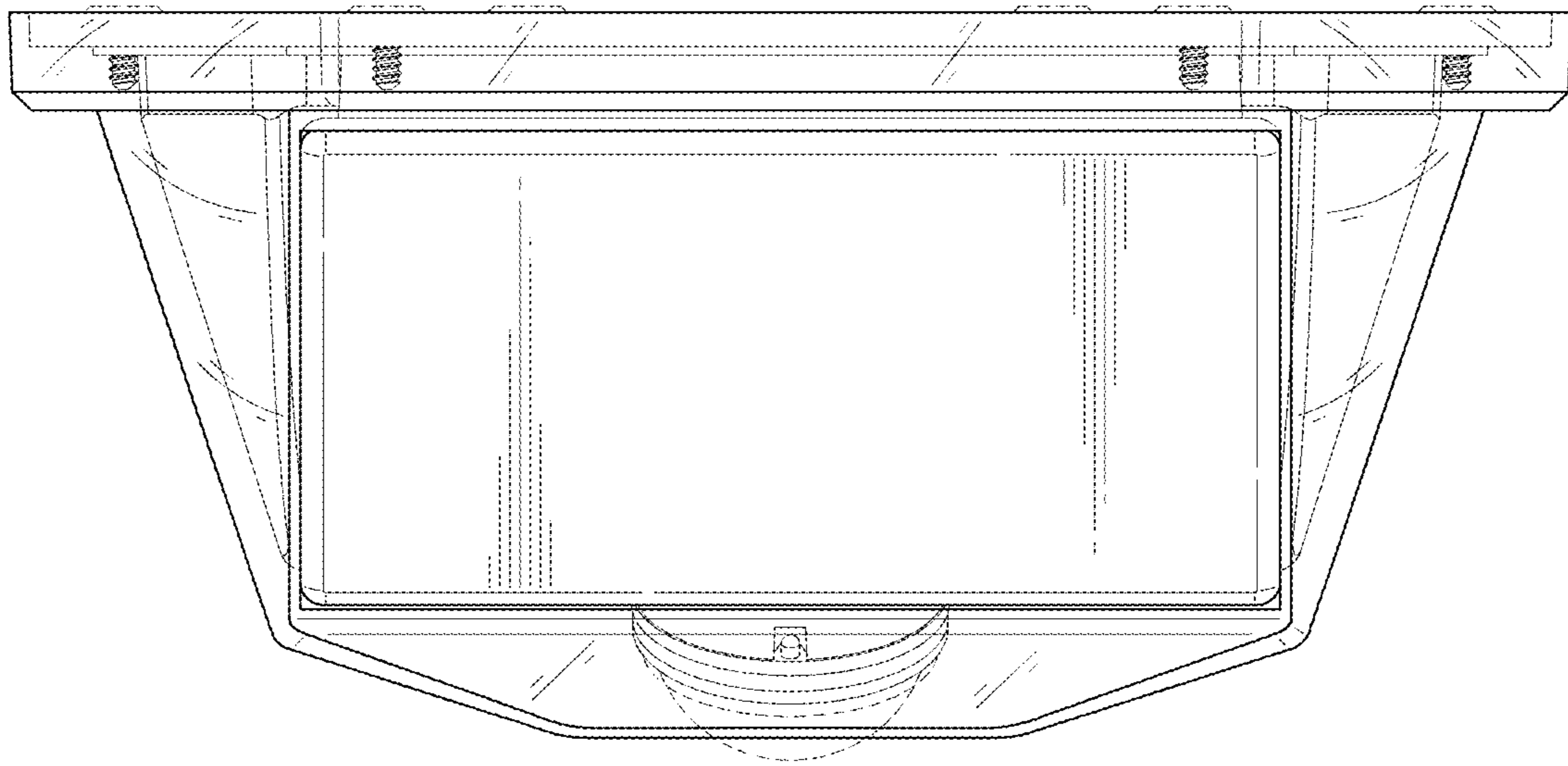


FIG. 7

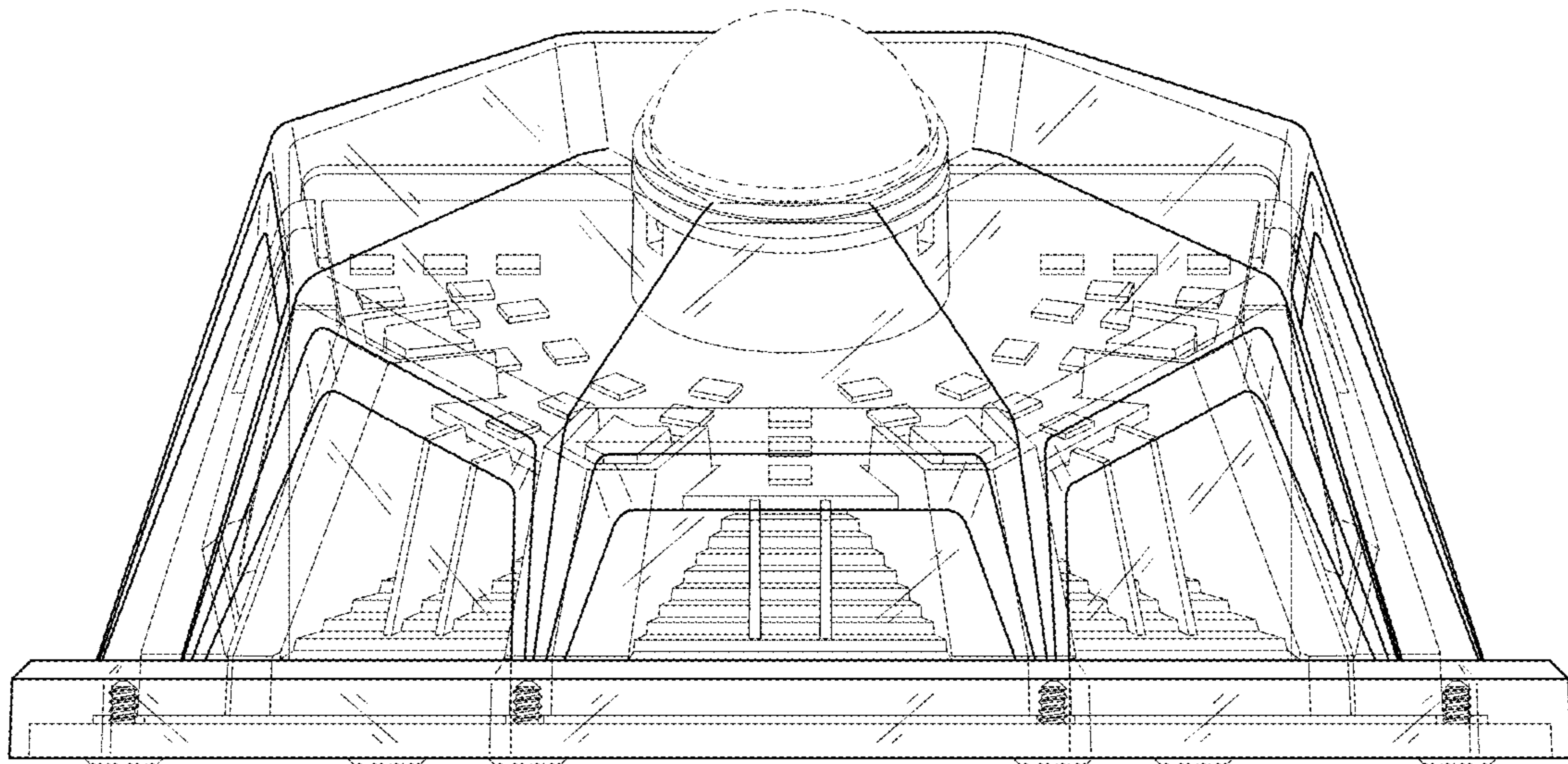


FIG. 8