



US00D945680S

(12) **United States Design Patent**
Esteve Cambra

(10) **Patent No.:** **US D945,680 S**
(45) **Date of Patent:** **** Mar. 8, 2022**

(54) **LAMP**
(71) Applicant: **Luziferlamps, S.L.**, Chiva (ES)
(72) Inventor: **Ramon Esteve Cambra**, Valencia (ES)
(73) Assignee: **Luziferlamps, S.L.**, Chiva (ES)
(**) Term: **15 Years**
(21) Appl. No.: **29/707,941**
(22) Filed: **Oct. 2, 2019**

D203,350 S * 12/1965 Bodrick D26/69
D210,151 S * 2/1968 Koziol, III D26/70
D237,001 S * 9/1975 Von Serda D26/137
D558,911 S * 1/2008 Bickler D26/87
D564,693 S * 3/2008 Ziliani D26/85
D575,437 S * 8/2008 Bickler D26/86
D589,195 S * 3/2009 Sabernig D26/69
D630,792 S * 1/2011 Schwinkowski D26/85
D642,325 S * 7/2011 Parker D26/118
D754,905 S * 4/2016 Colombo D26/85
D804,080 S * 11/2017 Hendifar D26/86
D841,208 S * 2/2019 Lopez D26/40
D857,274 S * 8/2019 Bozzoli D26/81
D866,843 S * 11/2019 Benghozi D26/87
D895,882 S * 9/2020 Li D26/86
D912,301 S * 3/2021 Esteve D26/86

(30) **Foreign Application Priority Data**

Apr. 2, 2019 (EM) 006367231-0001

(51) **LOC (13) Cl.** **26-05**
(52) **U.S. Cl.**
USPC **D26/80**

(58) **Field of Classification Search**
USPC D10/111-115; D26/8, 24, 26, 34, 44, 51,
D26/58, 60, 61, 63, 67, 71, 72, 75, 76,
D26/78, 80, 85-89, 92, 113, 117, 118,
D26/121, 135
CPC F21S 8/00; F21S 8/02; F21S 8/03; F21S
8/033; F21S 8/036; F21S 8/04; F21S
8/043; F21S 8/086
See application file for complete search history.

(56) **References Cited**

U.S. PATENT DOCUMENTS

D76,311 S * 9/1928 Krause D26/80
2,358,347 A * 9/1944 Paul F21V 3/02
362/235
D160,809 S * 11/1950 Schear D26/85
D162,723 S * 4/1951 Gregg D26/85
2,586,389 A * 2/1952 Schear F21V 1/00
362/293

OTHER PUBLICATIONS

Black_Note_Duplet (available online) Retrieved from the internet
Sep. 22, 2021 from URL: <https://lzf-lamps.com/products/black-note-duplet/>.*

(Continued)

Primary Examiner — Richard Kearney
(74) *Attorney, Agent, or Firm* — Collard & Roe, P.C.

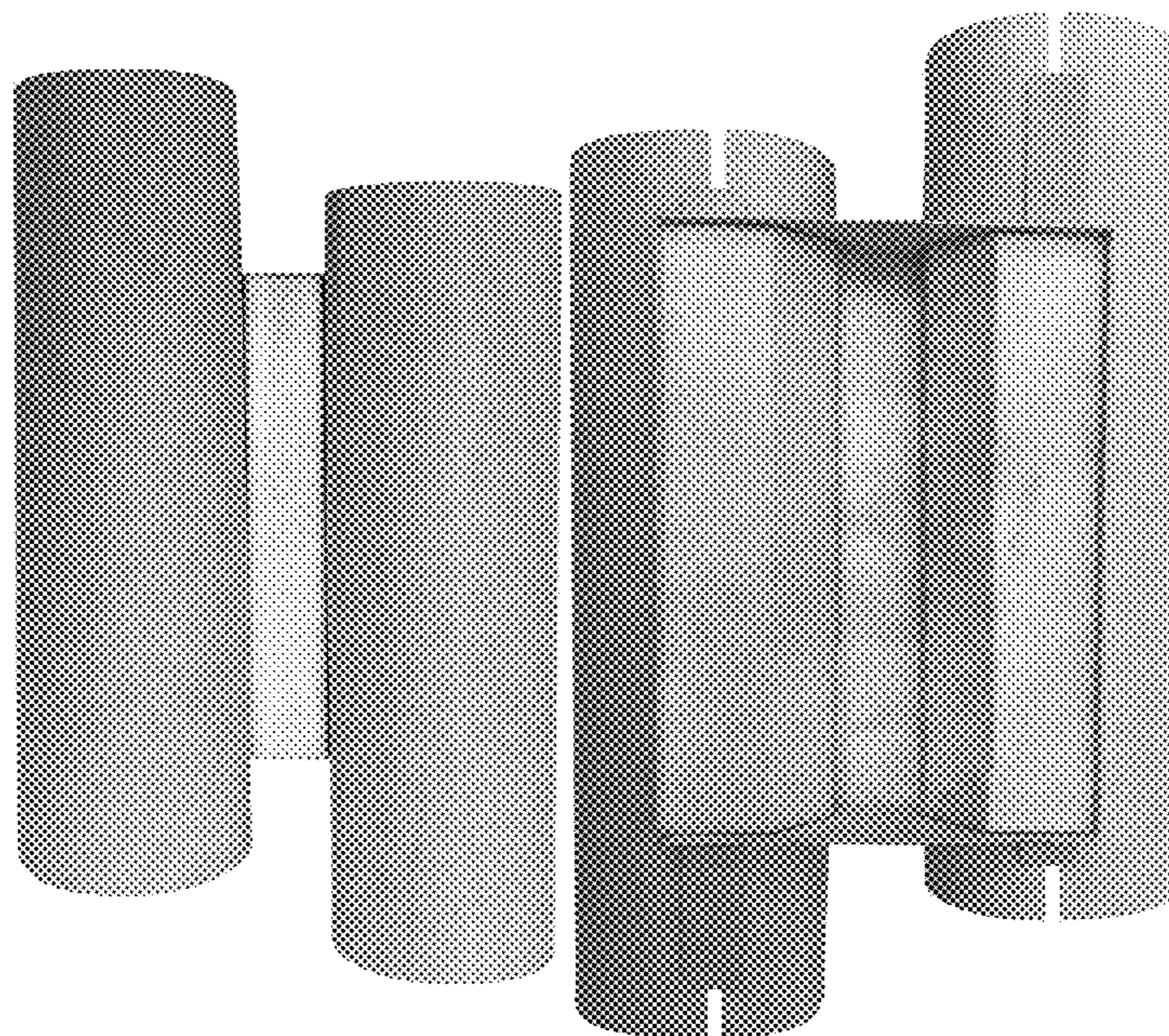
(57) **CLAIM**

The ornamental design for a lamp, as shown and described.

DESCRIPTION

FIG. 1 is a front view of a lamp, showing my new design;
FIG. 2 is a rear view thereof;
FIG. 3 is a top view thereof;
FIG. 4 is a bottom view thereof;
FIG. 5 is a left side view thereof; and,
FIG. 6 is a right side view thereof.

1 Claim, 5 Drawing Sheets



(56)

References Cited

OTHER PUBLICATIONS

Double_Wall_Sconce (available online) Retrieved from the internet Sep. 22, 2021 from URL: <https://www.horchow.com/double-wall-sconce-th.html>.*

Visual Comfort AERIN Clarkson (available online) Retrieved from the internet Sep. 22, 2021 from URL: <https://www.visualcomfortlightinglights.com/product/visual-comfort-aerin-clarkson-sconces-arn2003hab-1-open-box.html>.*

Feiss Bergin 2-Light (available online) Retrieved from the internet Sep. 22, 2021 from URL: https://www.lampsplus.com/products/feiss-bergin-2-light-13-and-one-half-inch-wide-chrome-bath-light_1t661.html.*

* cited by examiner

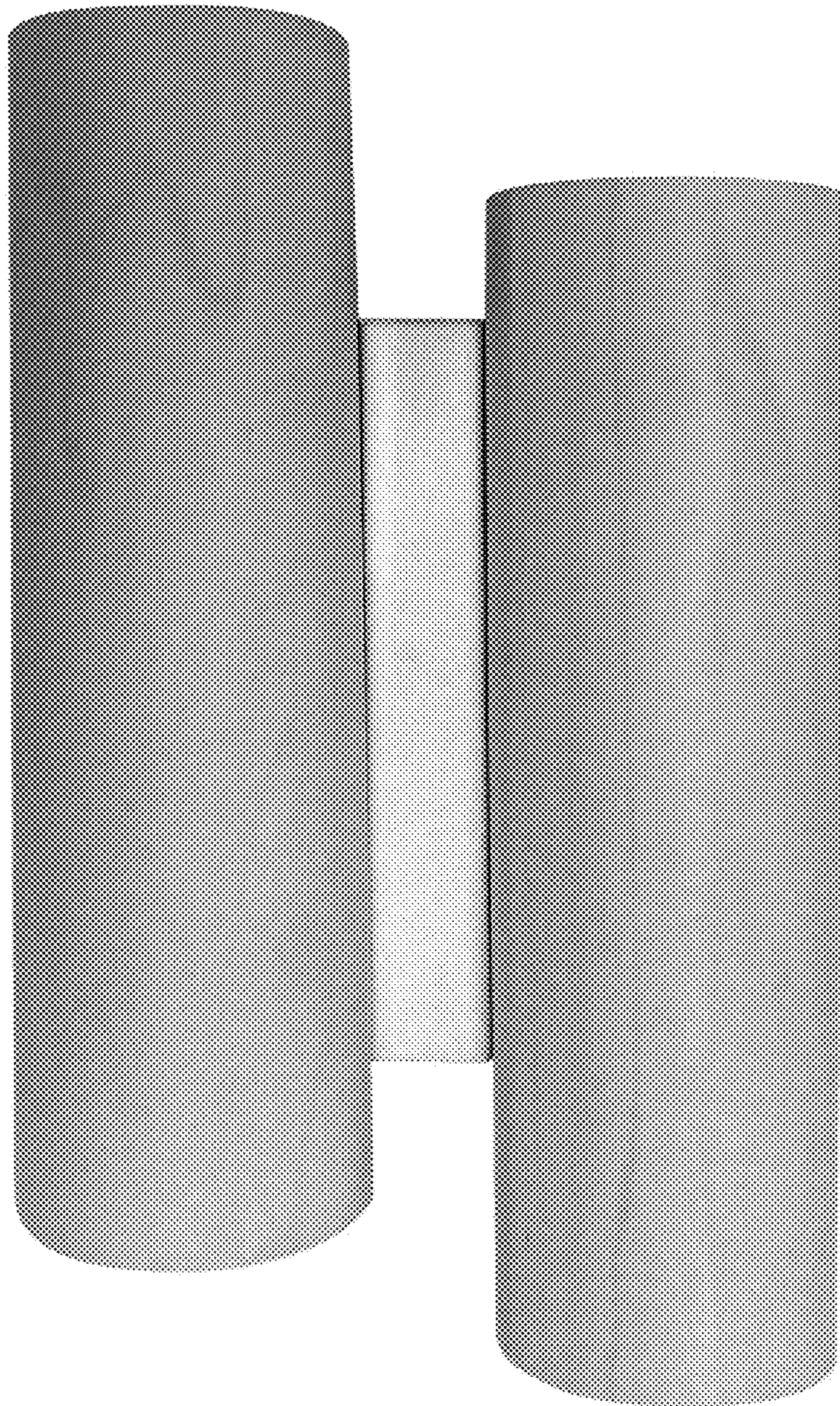


FIG. 1

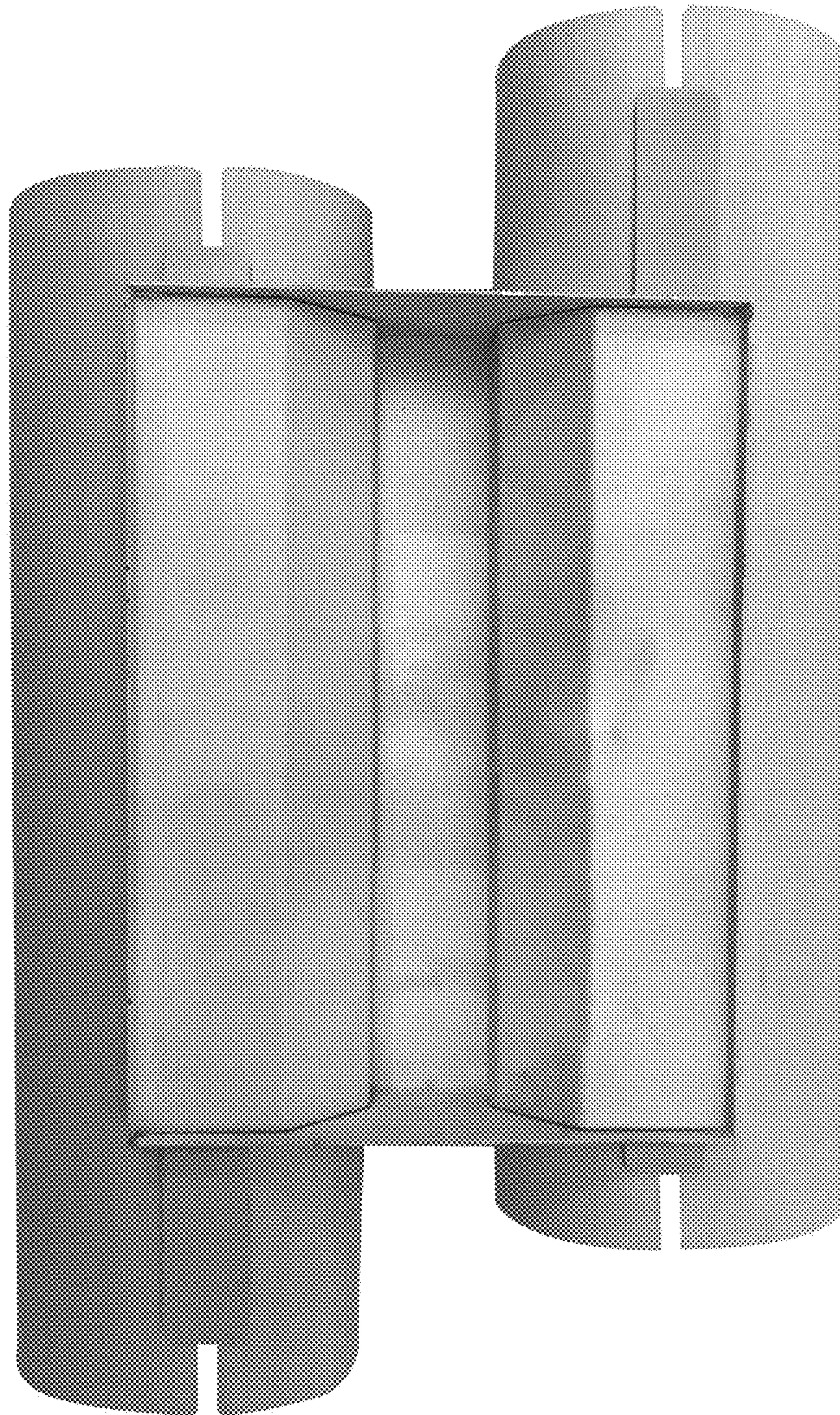


FIG. 2

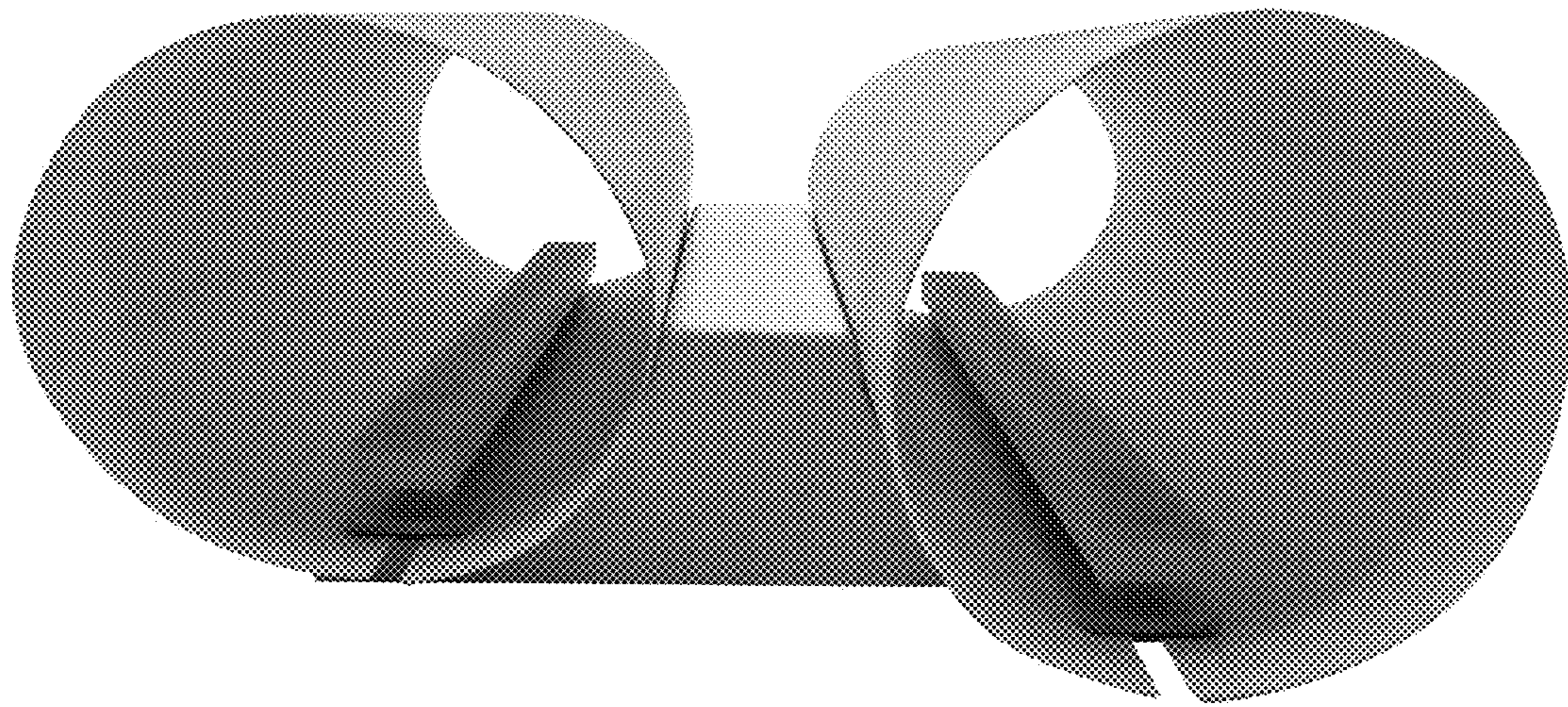


FIG. 3

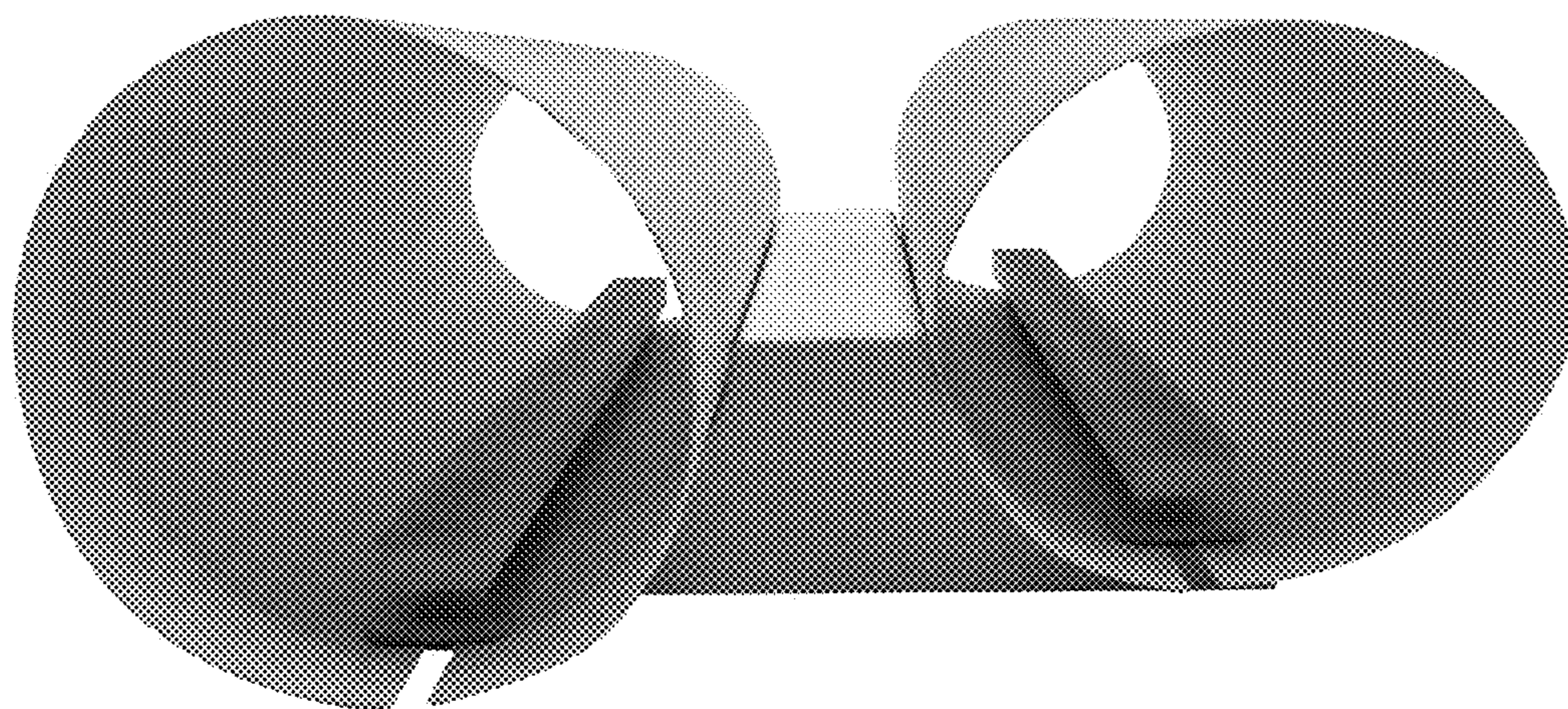


FIG. 4

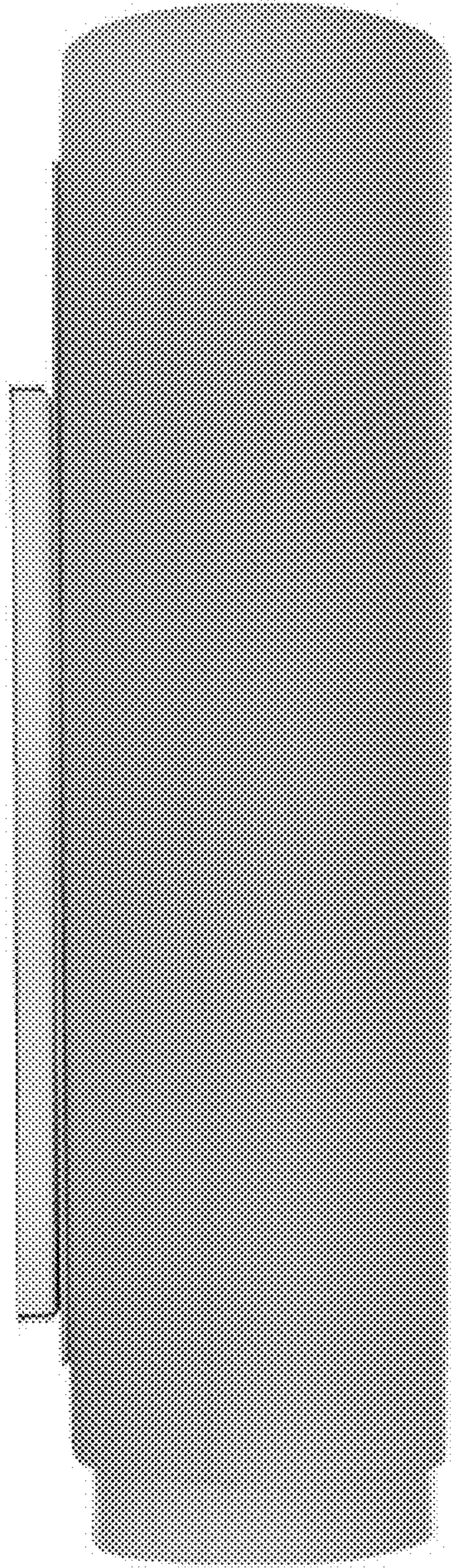


FIG. 5

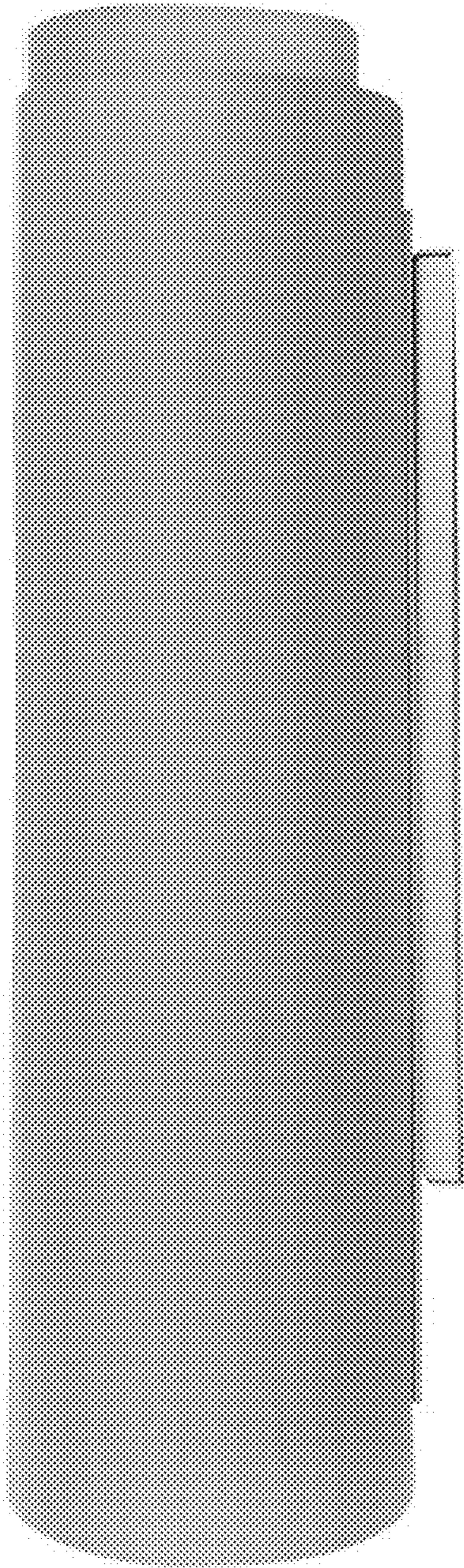


FIG. 6