



US00D945678S

(12) **United States Design Patent**  
**Ambrozus**

(10) **Patent No.:** **US D945,678 S**  
(45) **Date of Patent:** **\*\* Mar. 8, 2022**

(54) **LUMINAIRE**

(71) Applicant: **Zumtobel Lighting GmbH**, Dornbirn (AT)

(72) Inventor: **Stefan Ambrozus**, Cologne (DE)

(73) Assignee: **Zumtobel Lighting GmbH**, Dornbirn (AT)

(\*\*) Term: **15 Years**

(21) Appl. No.: **35/508,224**

(22) Filed: **Oct. 30, 2019**

(80) **Hague Agreement Data**

Int. Filing Date: **Oct. 30, 2019**  
Int. Reg. No.: **DM/204919**  
Int. Reg. Date: **Oct. 30, 2019**  
Int. Reg. Pub. Date: **Dec. 27, 2019**

(30) **Foreign Application Priority Data**

May 6, 2019 (EM) ..... 006 427 209

(51) **LOC (13) Cl.** ..... **26-05**

(52) **U.S. Cl.**  
USPC ..... **D26/72; D26/118**

(58) **Field of Classification Search**  
USPC ..... D10/111–115; D26/24, 59, 72, 74, 76, D26/80, 82, 84–86, 88–90, 118, 138  
CPC ..... F21S 8/00; F21S 8/02; F21S 8/026; F21S 8/03; F21S 8/04  
See application file for complete search history.

(56) **References Cited**

**U.S. PATENT DOCUMENTS**

3,253,176 A \* 5/1966 Pate ..... H01J 9/223 313/306  
D348,533 S \* 7/1994 Herst ..... D26/76  
D348,534 S \* 7/1994 Herst ..... D26/76  
D349,357 S \* 8/1994 Herst ..... D26/76

D662,643 S \* 6/2012 Takahashi ..... D26/76  
D663,467 S \* 7/2012 Apetauer ..... D26/74  
D705,471 S \* 5/2014 Kim ..... D26/72  
D720,488 S \* 12/2014 Toyohisa ..... D26/74  
D730,556 S \* 5/2015 Toyohisa ..... D26/74  
D744,689 S \* 12/2015 Maxik ..... D26/74  
D787,106 S \* 5/2017 Tai ..... D26/74  
D862,765 S \* 10/2019 Leahy ..... D26/74  
D907,833 S \* 1/2021 Xie ..... D26/74  
D910,222 S \* 2/2021 Zhang ..... D26/72  
D917,762 S \* 4/2021 Zhou ..... D26/76  
2011/0205738 A1 \* 8/2011 Peifer ..... F21K 9/20 362/249.02  
2013/0063948 A1 \* 3/2013 Ishii ..... F21S 8/04 362/294

**FOREIGN PATENT DOCUMENTS**

WO RGN-D204919-001 \* 12/2019

\* cited by examiner

*Primary Examiner* — Richard Kearney

(74) *Attorney, Agent, or Firm* — Scully, Scott, Murphy & Presser, PC

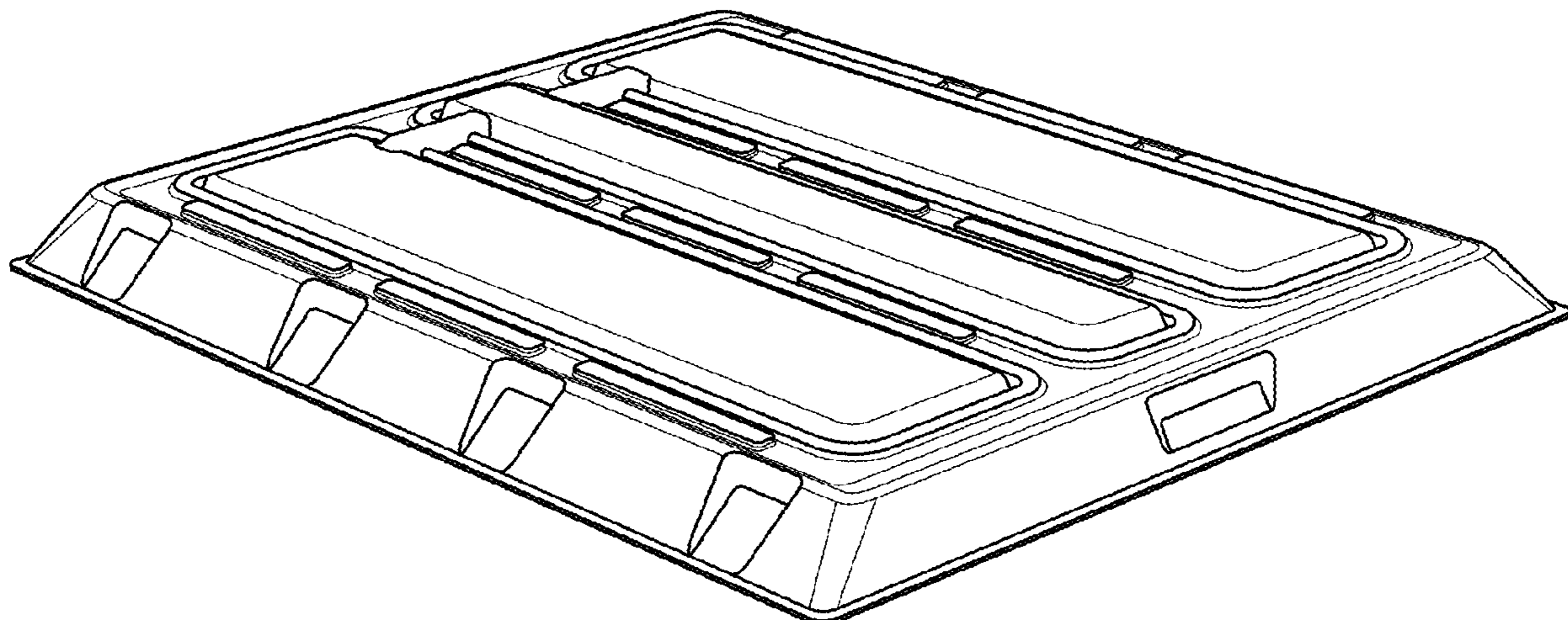
(57) **CLAIM**

The ornamental design for a luminaire, as shown and described.

**DESCRIPTION**

Figure 1.1 illustrates a top perspective view of a luminaire, showing my new design;  
Figure 1.2 illustrates a side elevation view thereof;  
Figure 1.3 illustrates a front view thereof;  
Figure 1.4 illustrates a top plan view thereof;  
Figure 1.5 illustrates a bottom perspective view thereof;  
Figure 1.6 illustrates a bottom plan view thereof.  
The opposite side elevation view is a mirror image of the shown side elevation view, and the rear elevation view is a mirror image of the front elevation view.  
The broken lines shown in Figure 1.4 illustrate portions of the article and form no part of the claimed design.

**1 Claim, 6 Drawing Sheets**



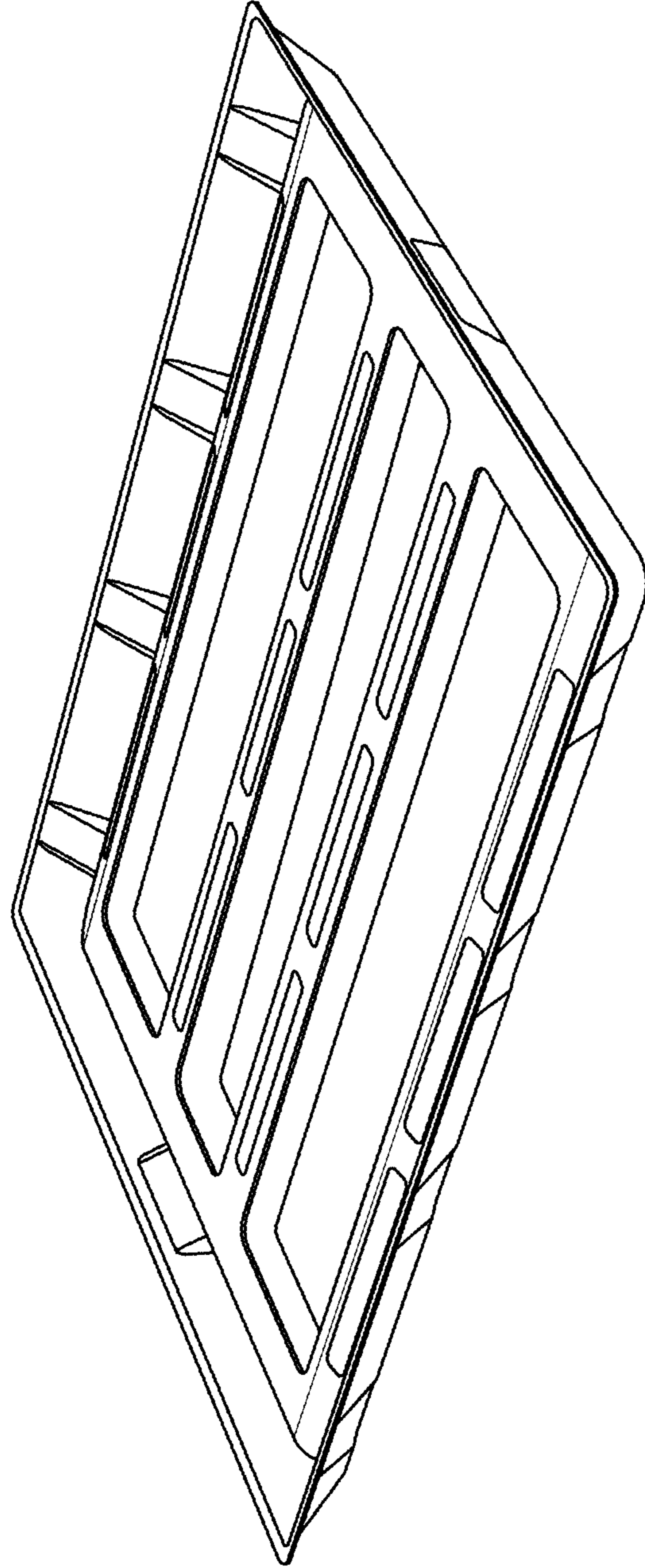


FIG. 1.1



FIG. 1.2

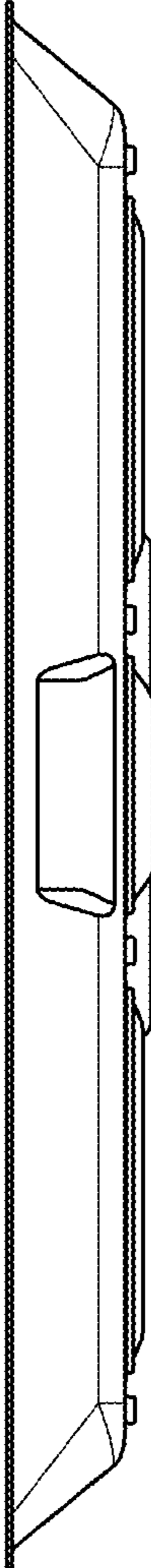


FIG. 1.3

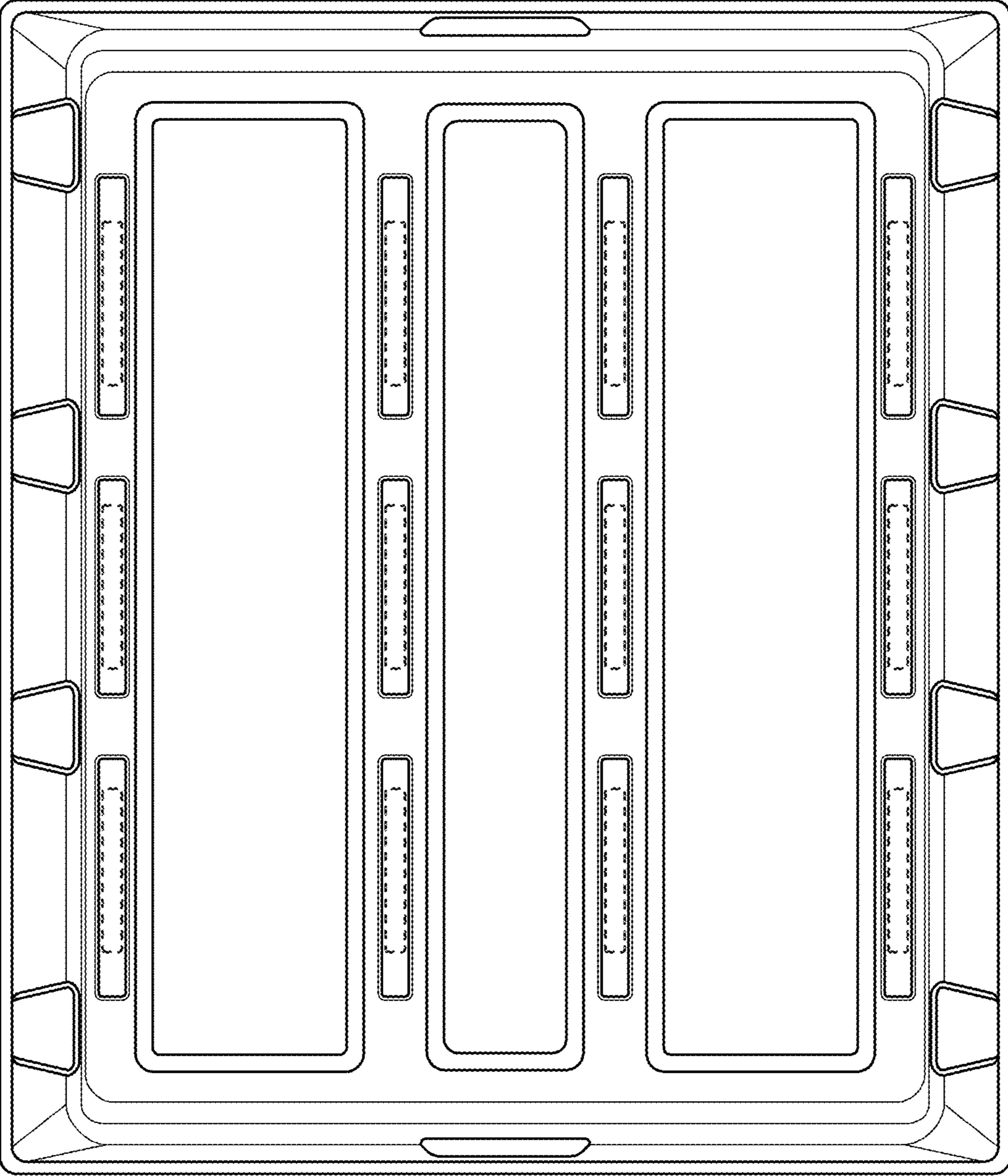


FIG. 1.4

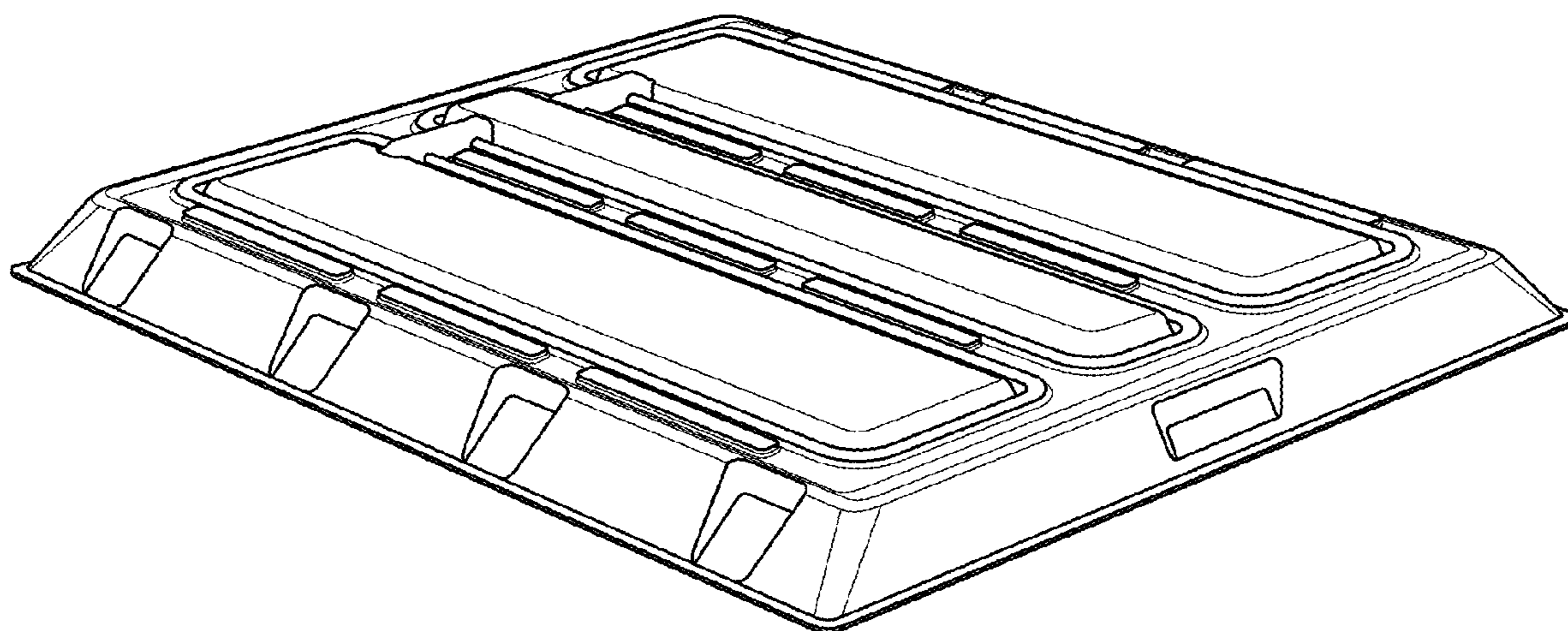


FIG. 1.5

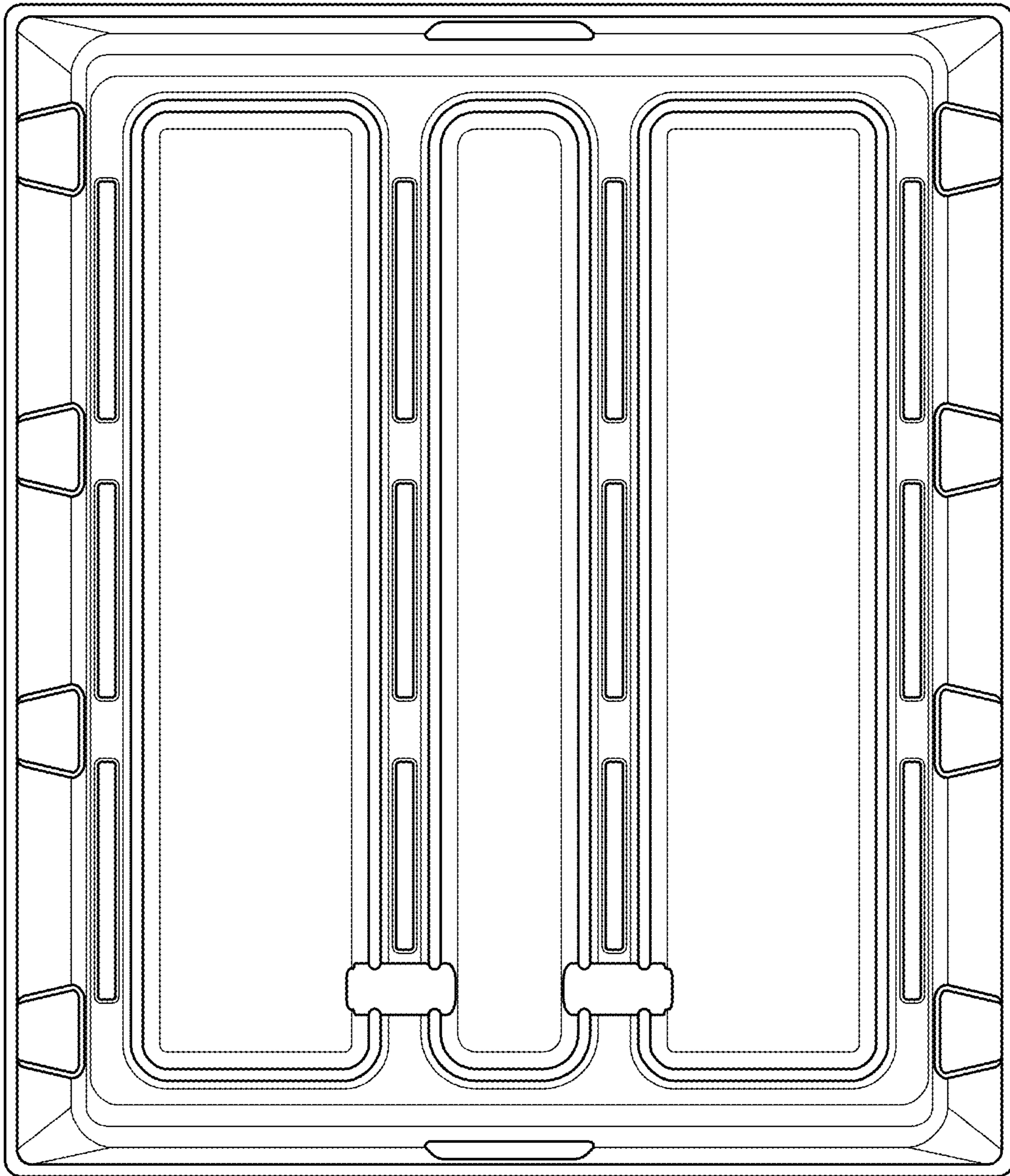


FIG. 1.6