



US00D945676S

(12) **United States Design Patent**
Jenson et al.

(10) **Patent No.:** **US D945,676 S**
(45) **Date of Patent:** **** Mar. 8, 2022**

(54) **PERFORMANCE HIGH-BAY LUMINAIRE**

(71) Applicant: **Hubbell Incorporated**, Shelton, CT (US)

(72) Inventors: **Taylor Jenson**, Taylors, SC (US);
Thomas Holscher, Simpsonville, SC (US); **Joseph Engle**, Taylors, SC (US)

(73) Assignee: **Hubbell Incorporated**, Shelton, CT (US)

(**) Term: **15 Years**

(21) Appl. No.: **29/684,024**

(22) Filed: **Mar. 18, 2019**

Related U.S. Application Data

(62) Division of application No. 29/603,057, filed on May 5, 2017, now Pat. No. Des. 847,399.

(51) **LOC (13) Cl.** **26-03**

(52) **U.S. Cl.**
USPC **D26/72**

(58) **Field of Classification Search**
USPC D26/1, 72, 80, 88, 89
CPC F21W 2131/40; F21V 29/76; F21V 29/77;
F21V 29/777; F21V 29/78
See application file for complete search history.

(56) **References Cited**

U.S. PATENT DOCUMENTS

D49,063 S	5/1916	Lau	
D222,103 S *	9/1971	Anderson, Jr. D26/85
3,705,303 A	12/1972	Willis, Jr.	
D226,217 S	1/1973	Anderson, Jr.	
D257,065 S	9/1980	Silvestris	
D315,220 S	3/1991	Ramelia	
D420,163 S	2/2000	Fouke	

6,494,596 B1	12/2002	Burroughs	
7,097,332 B2	8/2006	Vamberi	
7,445,362 B2	11/2008	Compton	
7,661,854 B1	2/2010	Yang	
D627,502 S	11/2010	Zheng	
D673,320 S	12/2012	Guercio	
8,403,541 B1	3/2013	Rashidi	
D688,405 S	8/2013	Kim	
D690,453 S	9/2013	Guercio	
D748,840 S	2/2016	Lee	
D776,323 S	1/2017	Oh	
D784,591 S	4/2017	Bryant	
D784,597 S	4/2017	Wilson	
D803,453 S	11/2017	Engle	
D845,532 S *	4/2019	Zhu D26/72
D847,399 S *	4/2019	Jenson D26/88
D860,498 S *	9/2019	Engle D26/72
10,641,477 B2 *	5/2020	Jenson F21V 23/007
11,143,432 B2 *	10/2021	Sinur F24F 13/078

(Continued)

Primary Examiner — Clare E Heflin

(74) *Attorney, Agent, or Firm* — Michael Best & Friedrich LLP

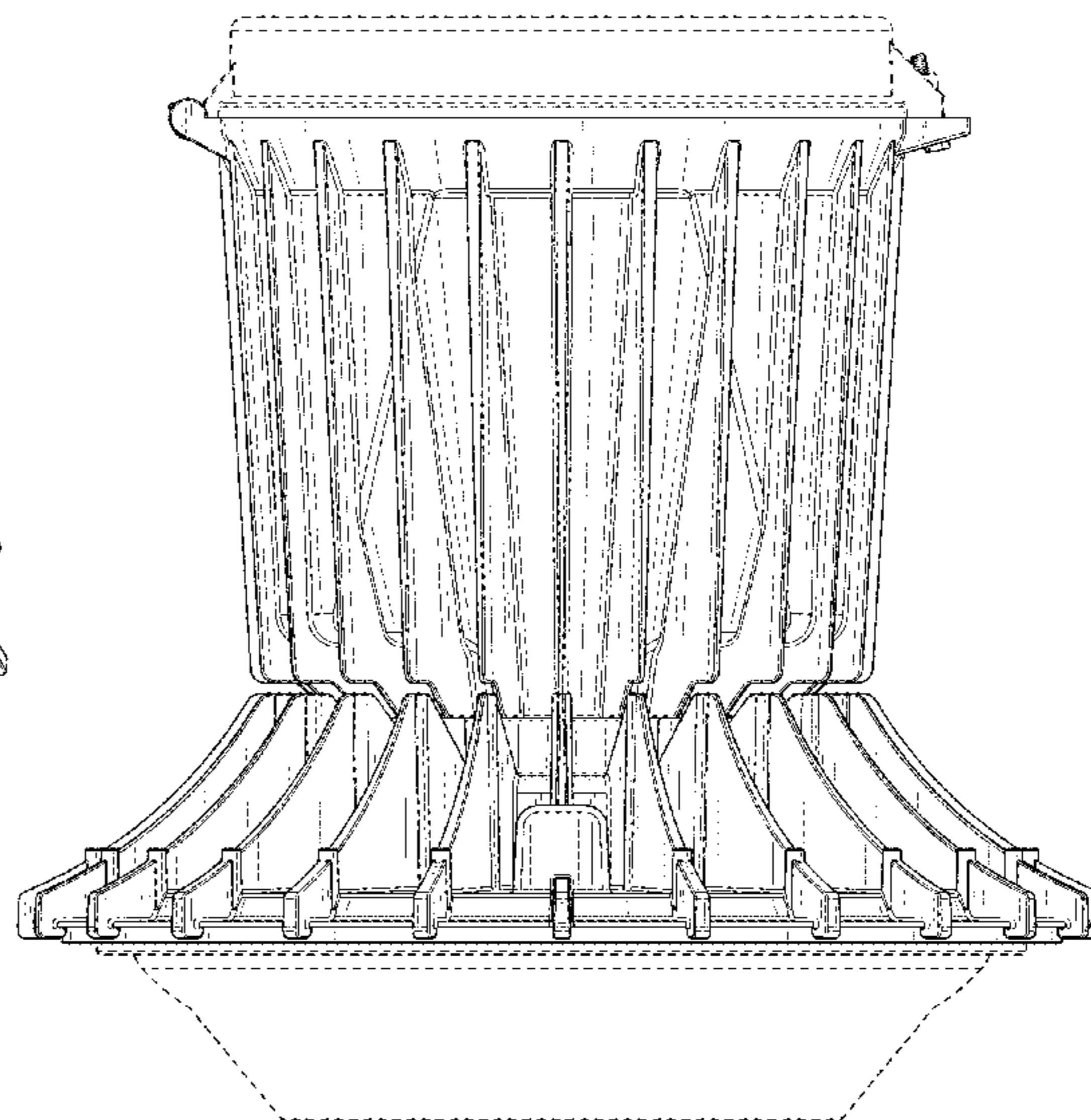
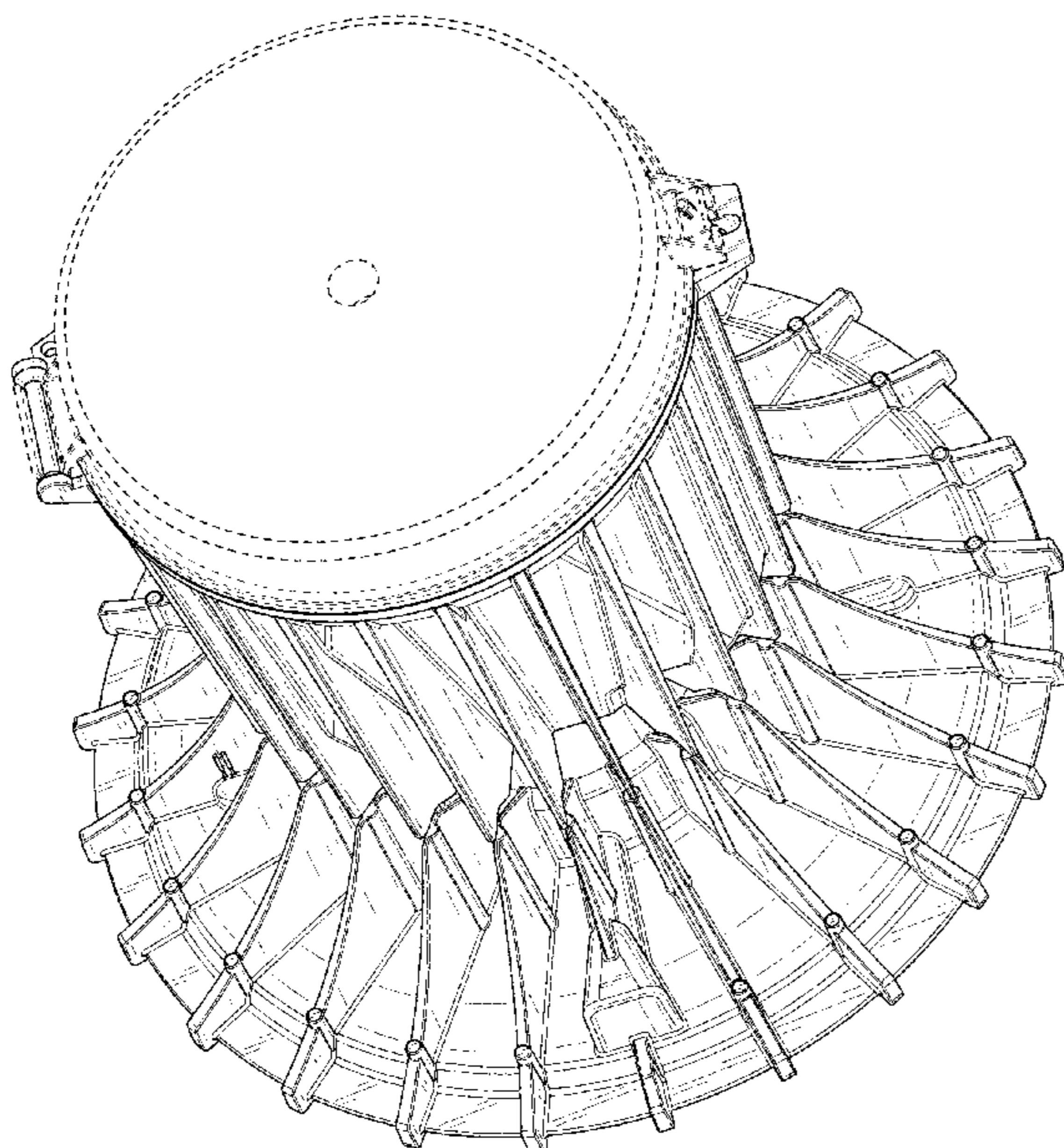
(57) **CLAIM**

The ornamental design for a performance high-bay luminaire, as shown and described.

DESCRIPTION

FIG. 1 is a bottom perspective view of an embodiment of the design;
FIG. 2 is a top perspective view of FIG. 1;
FIG. 3 is a right side view of FIG. 1 with the other side being a mirror image thereof;
FIG. 4 is a front side view of FIG. 1 with the rear view being a mirror image thereof;
FIG. 5 is a top view of FIG. 1; and,
FIG. 6 is a bottom view of FIG. 1.
The broken lines show portions of the performance high-bay luminaire that form no part of the claimed design.

1 Claim, 6 Drawing Sheets



(56)

References Cited

U.S. PATENT DOCUMENTS

11,172,627 B2 * 11/2021 Spiro F21V 29/70
2009/0323325 A1 * 12/2009 Long F21V 29/83
362/234
2011/0110096 A1 5/2011 Hong
2012/0033419 A1 2/2012 Kim
2012/0212945 A1 * 8/2012 Frank F21V 29/773
362/184
2012/0275163 A1 11/2012 Chen
2014/0078756 A1 3/2014 Tuttle
2014/0233233 A1 8/2014 Park
2015/0276184 A1 10/2015 Stathes et al.
2016/0131356 A1 * 5/2016 Engberg F21V 14/02
362/373
2016/0290603 A1 10/2016 Morello
2017/0307181 A1 * 10/2017 Engle F21V 29/507
2018/0231189 A1 * 8/2018 Guo F21V 19/004
2020/0200378 A1 * 6/2020 Stokes F21V 23/008
2021/0021149 A1 * 1/2021 Yuan H02J 7/0068
2021/0262652 A1 * 8/2021 Aanegola F21V 15/01
2021/0341111 A1 * 11/2021 Moon F21V 17/002

* cited by examiner

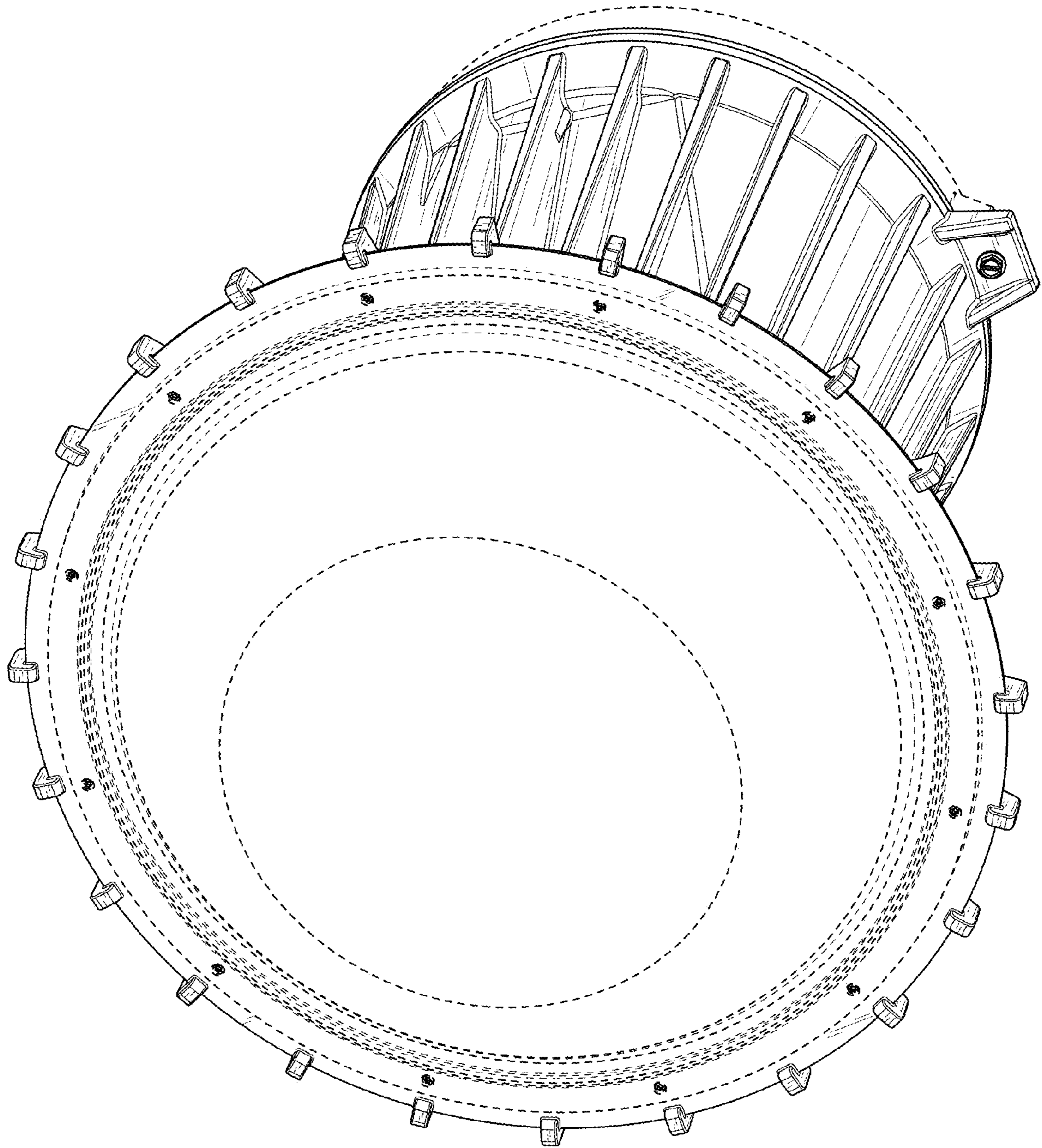


FIG. 1

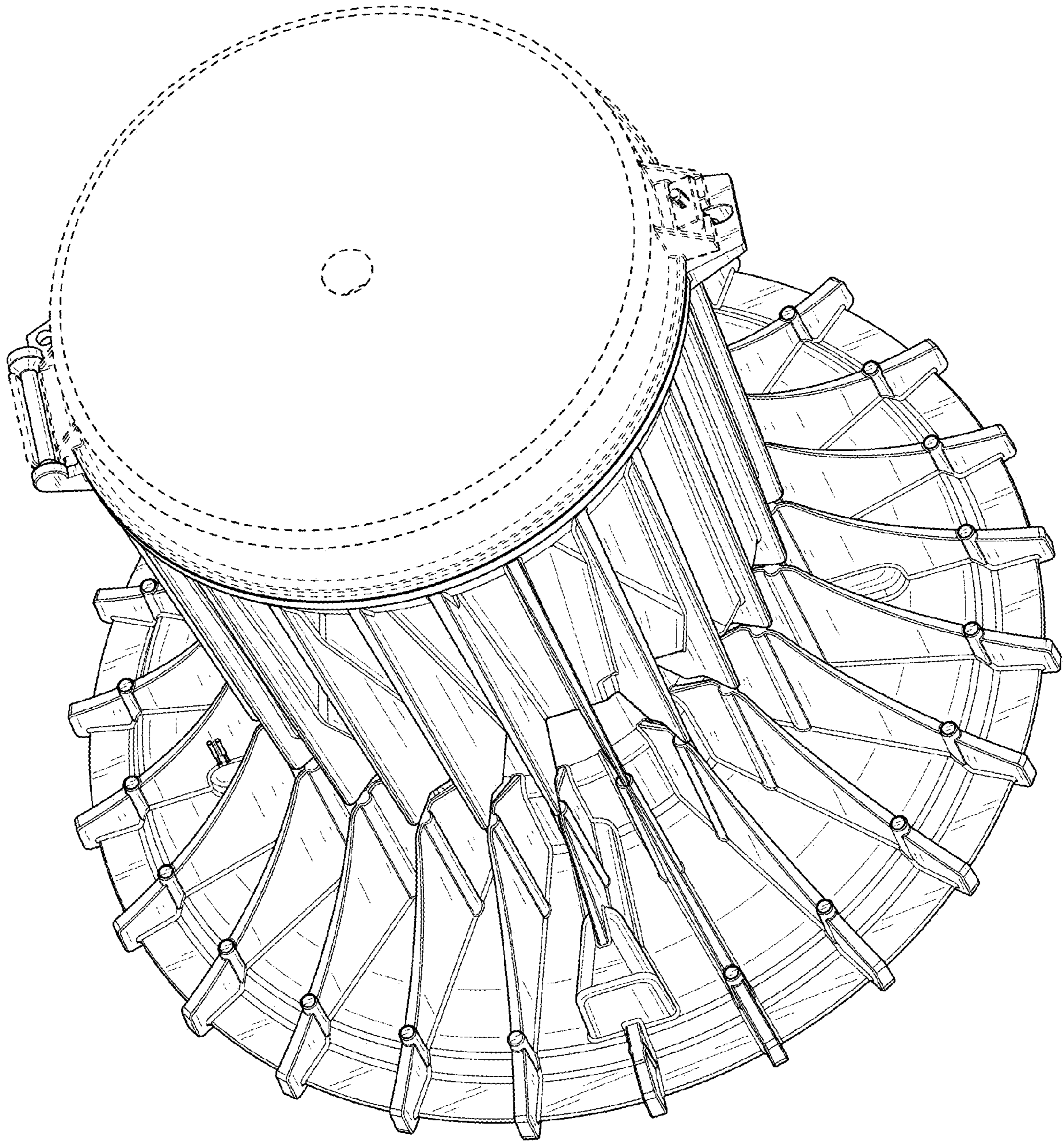


FIG. 2

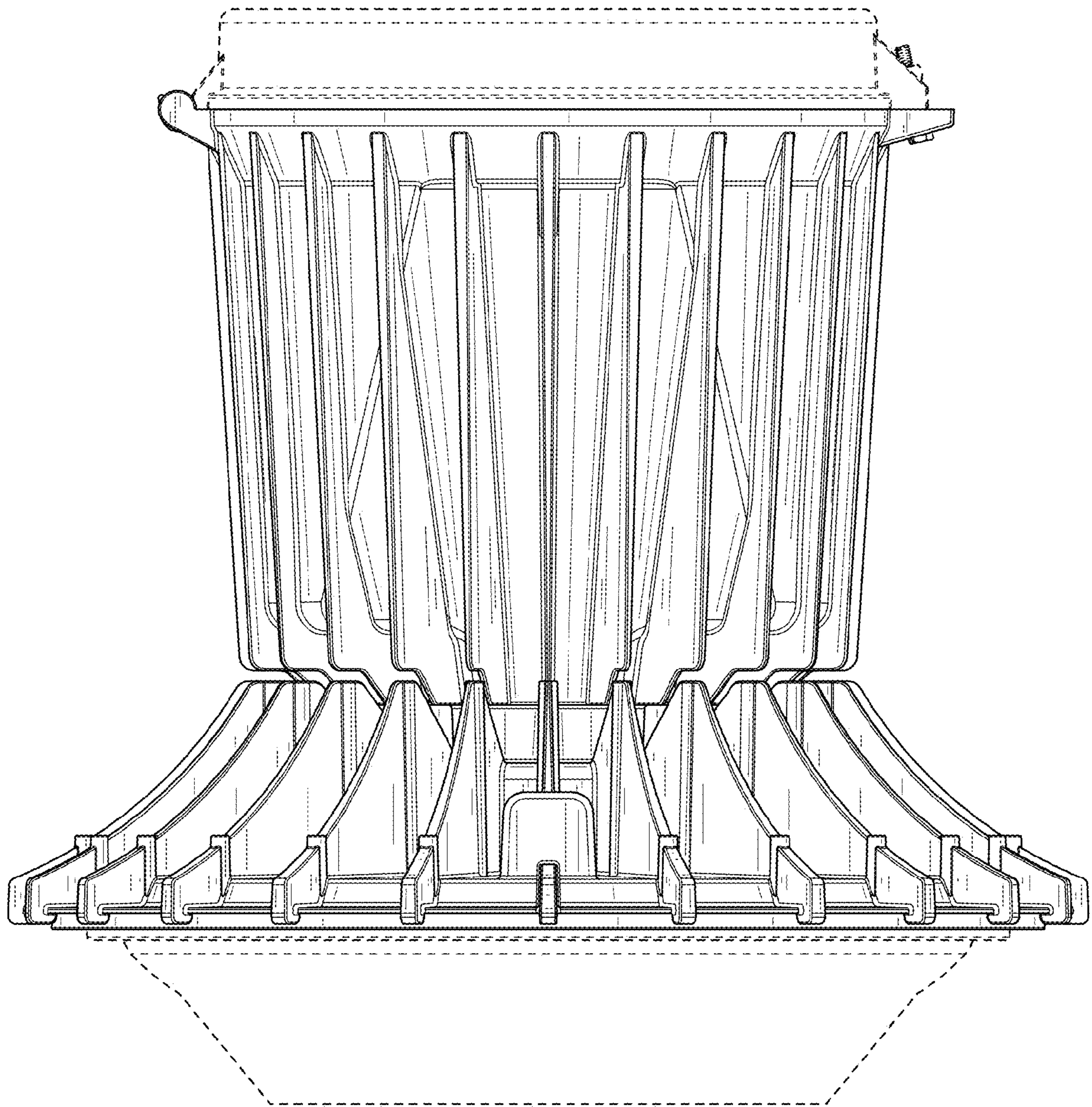


FIG. 3

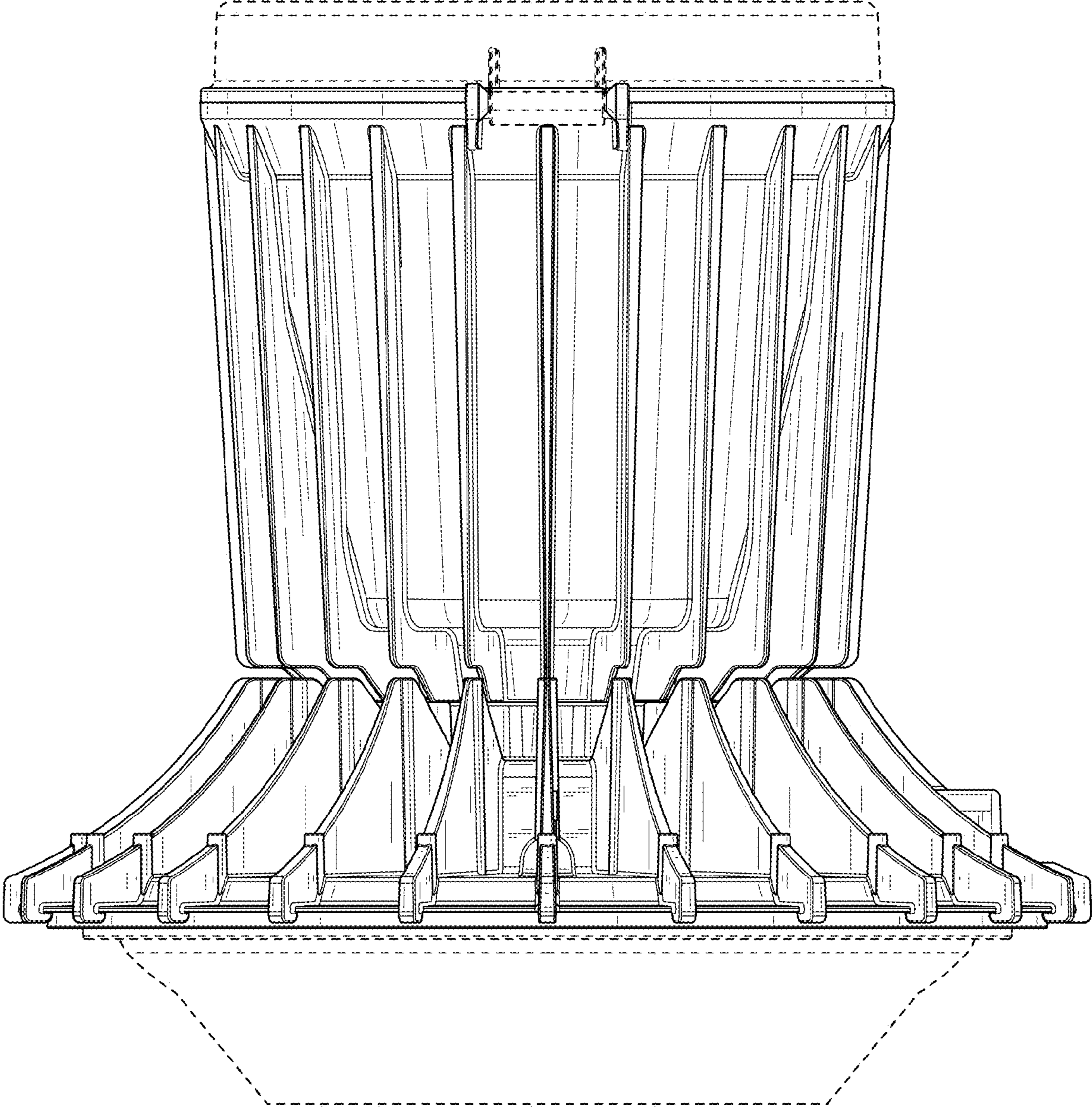


FIG. 4

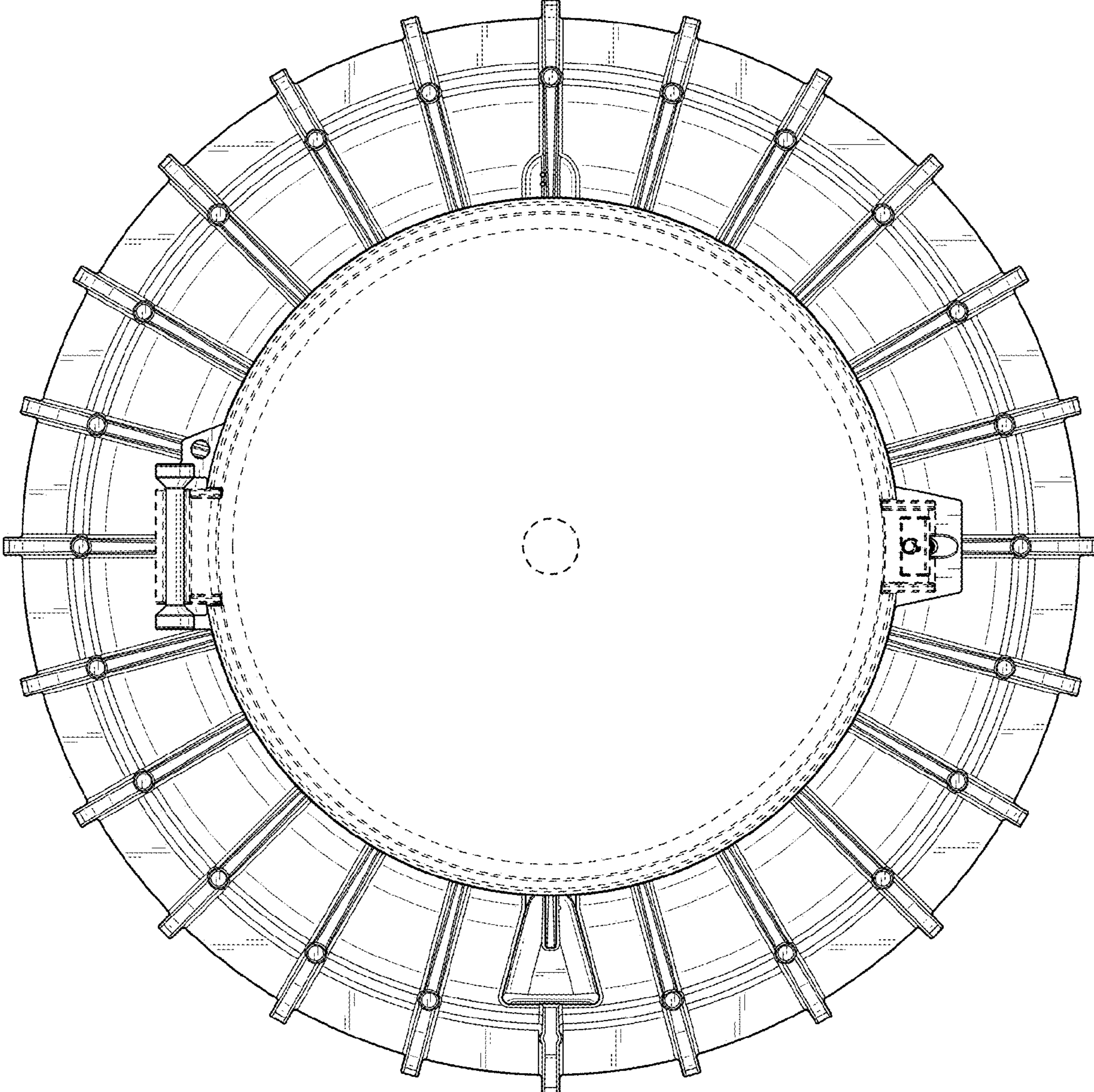


FIG. 5

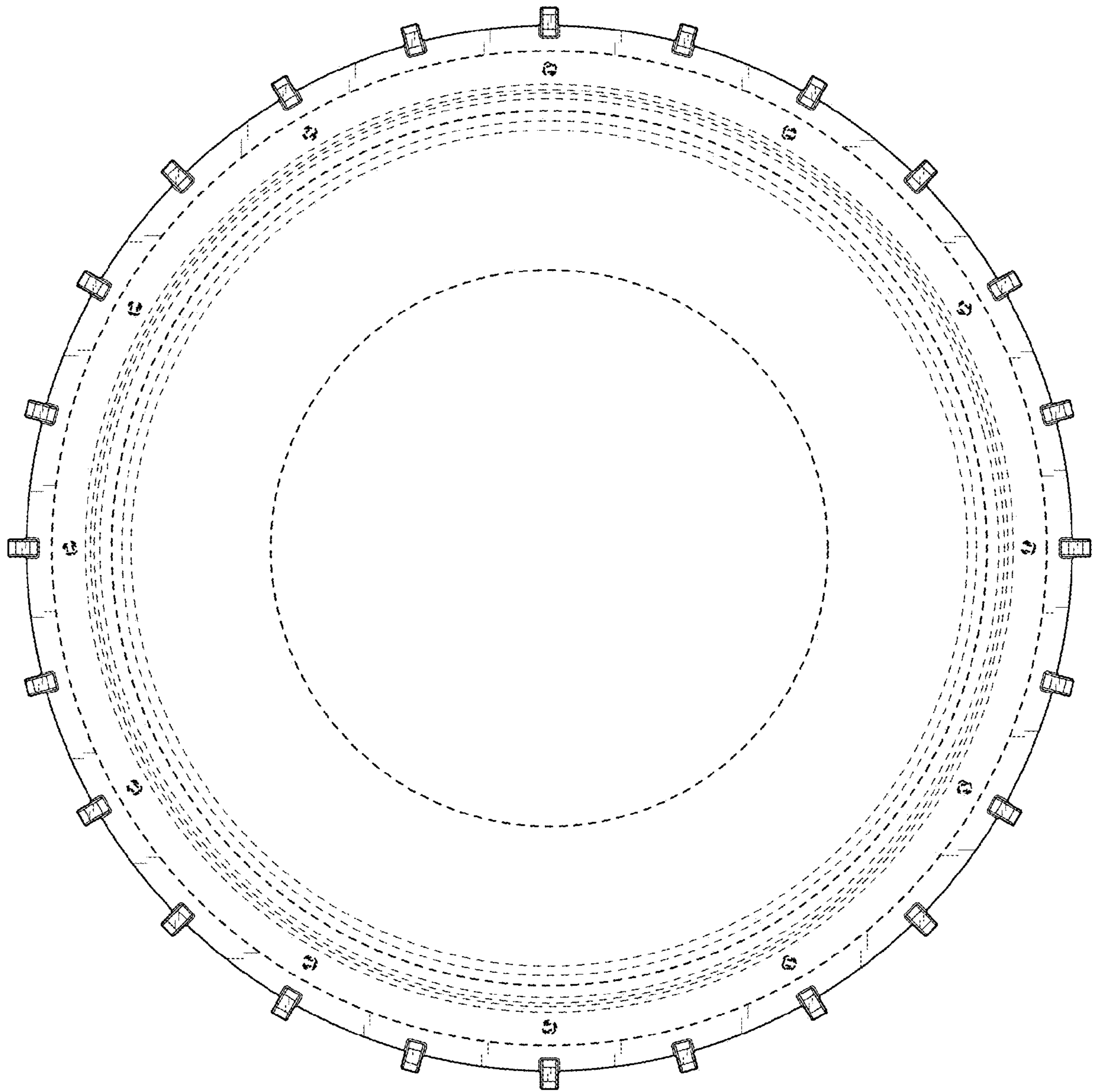


FIG. 6