



US00D945672S

(12) **United States Design Patent**
Tsai

(10) **Patent No.:** **US D945,672 S**
(45) **Date of Patent:** **** Mar. 8, 2022**

(54) **RECESSED LIGHT**

D885,631 S * 5/2020 Li D26/67
D890,401 S * 7/2020 Zeng D26/68
D905,313 S * 12/2020 Liao D26/67

(71) Applicant: **KE M.O. HOUSE CO., LTD.**,
Guangdong (CN)

(72) Inventor: **Mo-Tsan Tsai**, Guangdong (CN)

(73) Assignee: **KO M.O. HOUSE CO., LTD.**,
Guangdong (CN)

(**) Term: **15 Years**

(21) Appl. No.: **29/713,002**

(22) Filed: **Nov. 13, 2019**

(30) **Foreign Application Priority Data**

May 23, 2019 (CN) 201930255666.5

(51) **LOC (13) Cl.** **26-05**

(52) **U.S. Cl.**
USPC **D26/67**

(58) **Field of Classification Search**
USPC D26/24, 40, 44, 60, 61, 63-70, 84-87,
D26/92, 93, 104-106, 108, 110, 121, 128,
D26/137

CPC F21L 13/00; F21S 9/00; F21S 9/02; F21S
9/03; F21S 9/035; F21S 9/037; F21S
10/00; F21S 10/005; F21S 10/007; F21S
8/08; F21S 8/081; F21S 8/083; F21S
8/086; F21S 8/088

See application file for complete search history.

(56) **References Cited**

U.S. PATENT DOCUMENTS

D507,069 S * 7/2005 Sanoner D26/68
D517,718 S * 3/2006 Sanoner D26/68
D517,720 S * 3/2006 Sanoner D26/68
D574,536 S * 8/2008 Sanoner D26/67
D866,839 S * 11/2019 Yan D26/67
D868,331 S * 11/2019 Li D26/67

OTHER PUBLICATIONS

AZLMJXH Solar Ground Lights (available online Sep. 28, 2020)
Retrieved from the internet Oct. 28, 2021 from URL: <https://www.amazon.co.uk/AZLMJXH-Outdoor-Lighting-Decking-Emitting/dp/B08CB1395V>.*

Bodeneinbaustrahler_Solar_LED (available online) Retrieved from
the internet Oct. 28, 2021 from URL: <https://www.meine-wunschleuchte.de/sortiment/leuchten/aussenbeleuchtung/solarleuchten/solar-bodeneinbaustrahler/4er-set-led-solar-bodeneinbaustrahler-torino-50004.html>.*

Happybuy_Solar_Dock_Lights (available online) Retrieved from
the internet Oct. 28, 2021 from URL: <https://www.amazon.com/Happybuy-Driveway-Waterproof-Outdoor-Backyard/dp/B08B698P43>.*

(Continued)

Primary Examiner — Richard Kearney

(74) *Attorney, Agent, or Firm* — Tarolli, Sundheim,
Covell & Tummino LLP

(57) **CLAIM**

I claim the ornamental design for a recessed light, as shown
and described.

DESCRIPTION

FIG. 1 is a front view of a recessed light showing my new
design;

FIG. 2 is a rear view thereof;

FIG. 3 is a left-side view thereof;

FIG. 4 is a right-side view thereof;

FIG. 5 is a top view thereof;

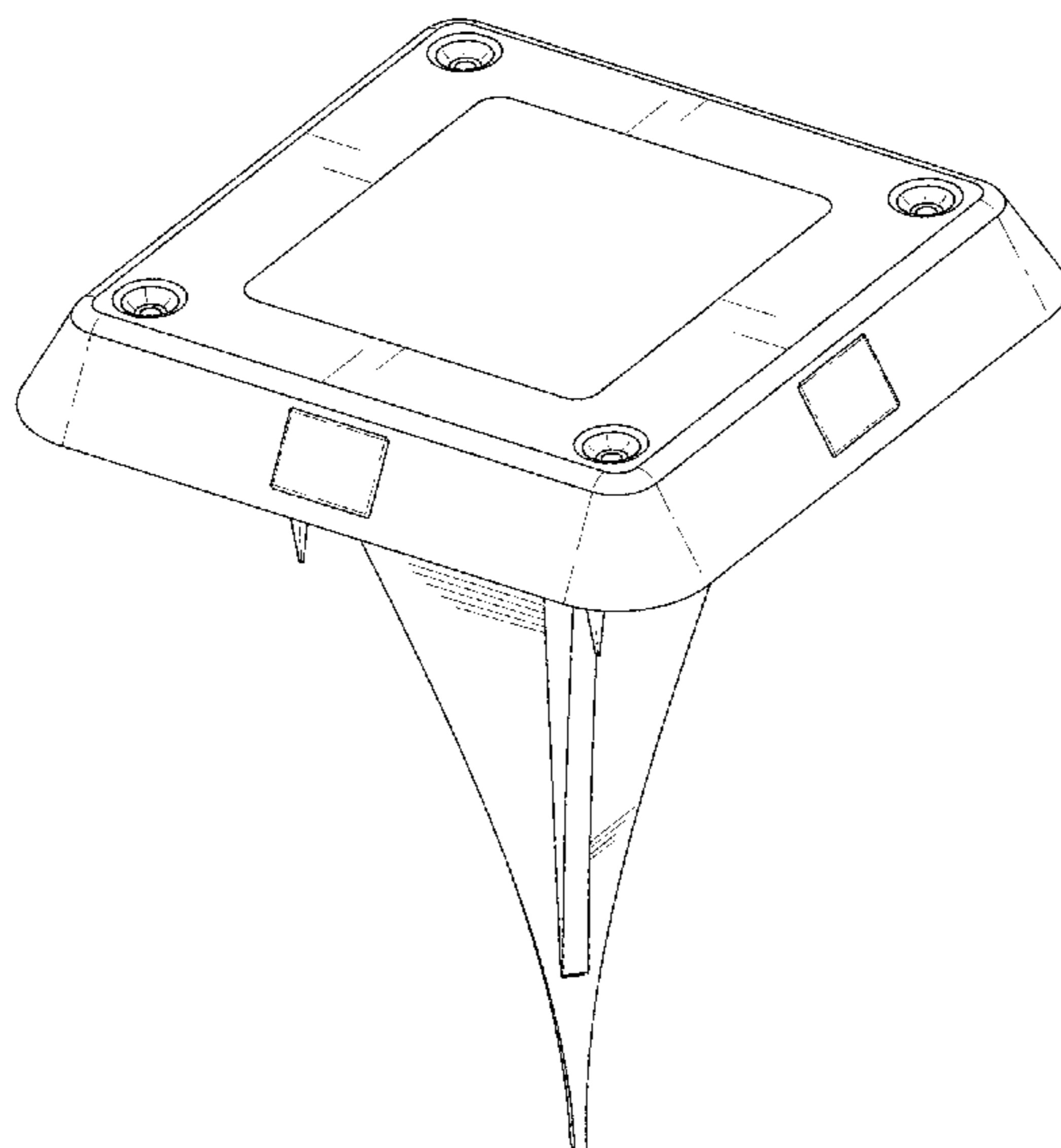
FIG. 6 is a bottom view thereof;

FIG. 7 is a front perspective view thereof; and,

FIG. 8 is a bottom perspective view thereof.

The shade lines shown in the drawings indicate the character
and contour of surfaces represented and should not be
confused with surface ornamentation.

1 Claim, 8 Drawing Sheets



(56)

References Cited

OTHER PUBLICATIONS

Nature Power Stainless Steel Outdoor Solar (available online Oct. 5, 2018) Retrieved from the internet Oct. 28, 2021 from URL: <https://www.homedepot.com/p/NATURE-POWER-Stainless-Steel-Outdoor-Solar-Outdoor-Integrated-LED-Pathway-Light-4-Pack-21072/204594815?M%E2%80%A6%201/6>.*

Bell + Howell Solar Powered Stainless Steel Outdoors Integrated LED (available online) Retrieved from the internet Oct. 28, 2021 from URL: <https://www.homedepot.com/p/Bell-Howell-Solar-Powered-Stainless-Steel-Outdoor-8-Integrated-LED-Super-Bright-In-Ground-Square-Disk-Path-Lights-Deluxe-4-Pack-7835/316112763>.*

* cited by examiner

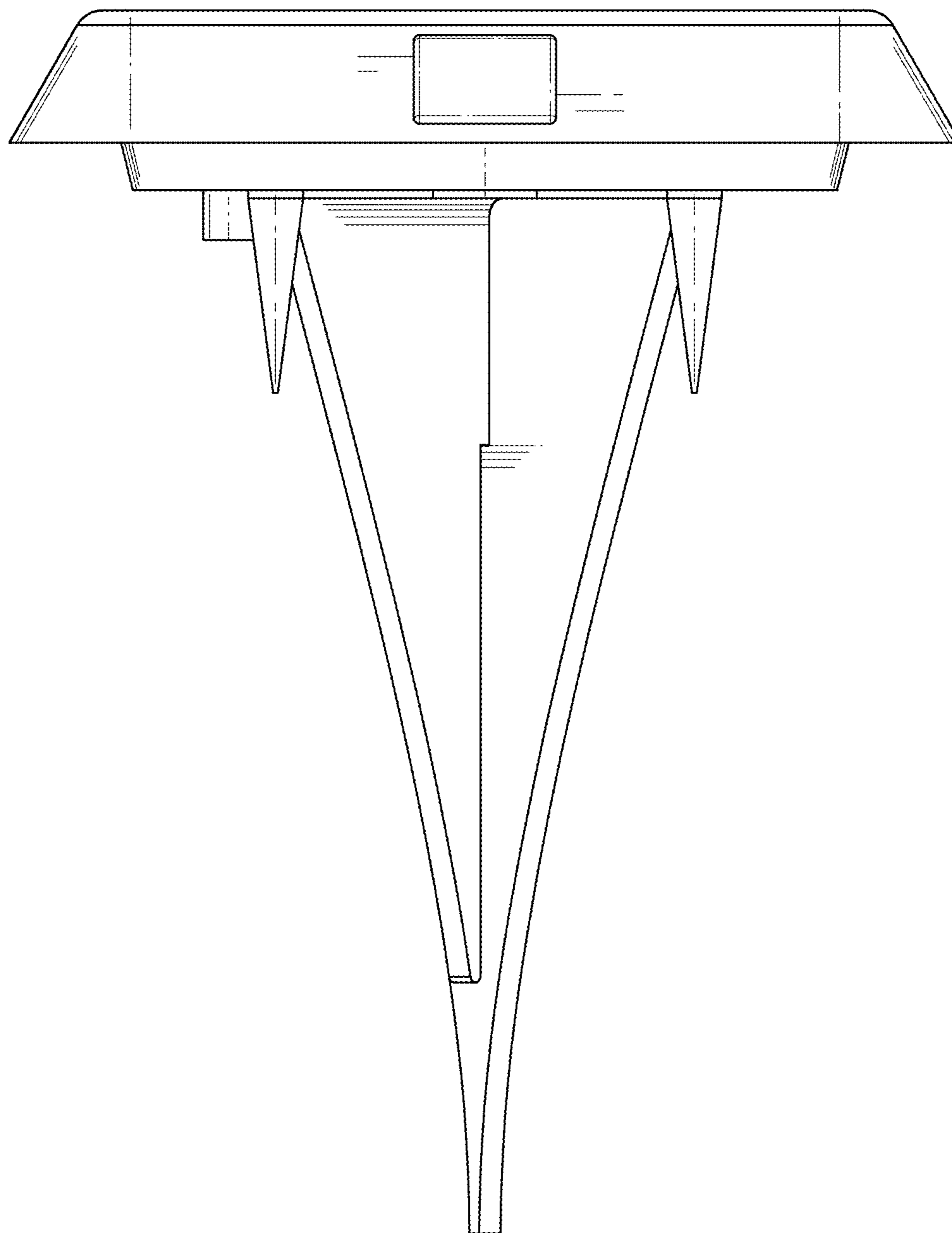


FIG. 1

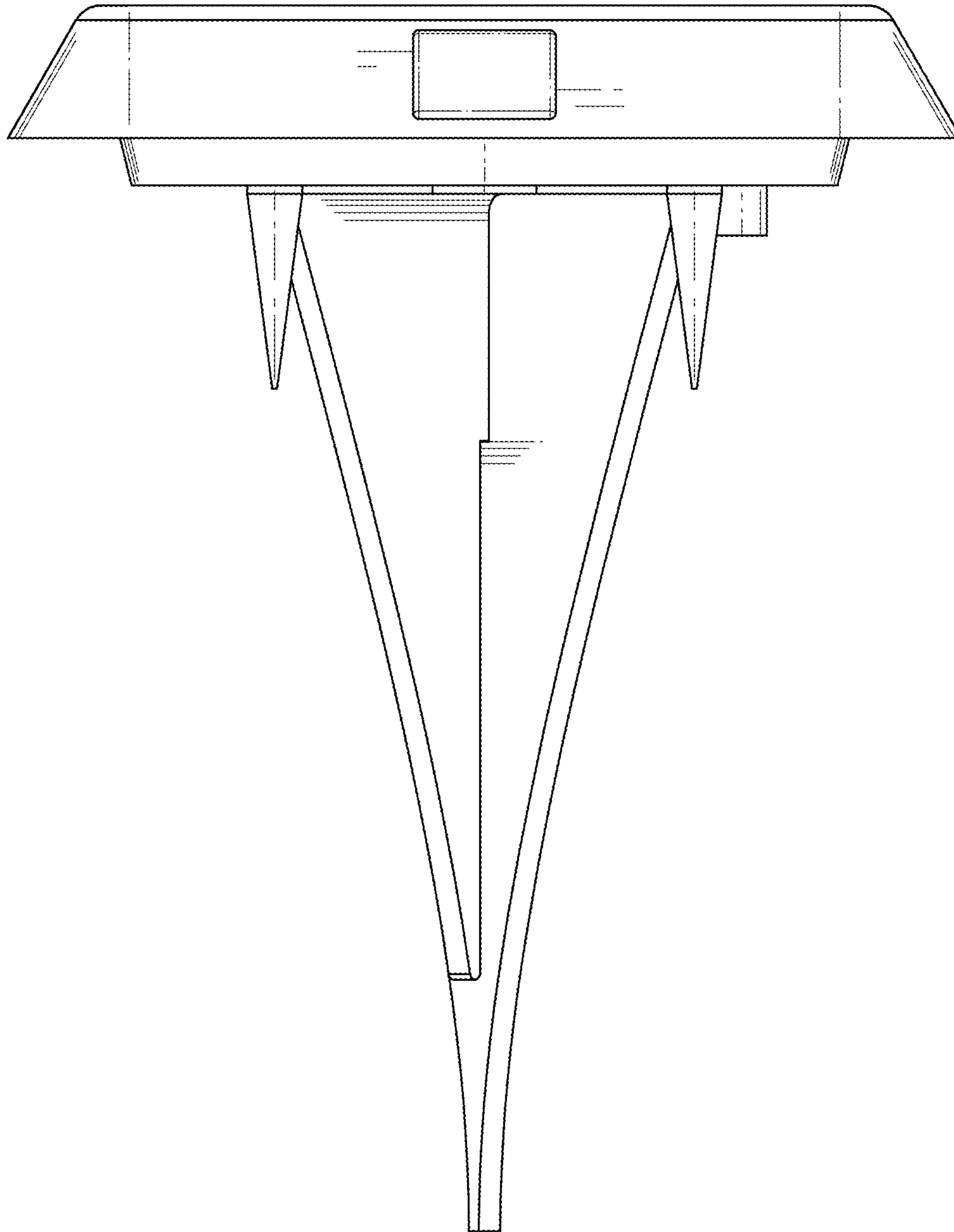


FIG. 2

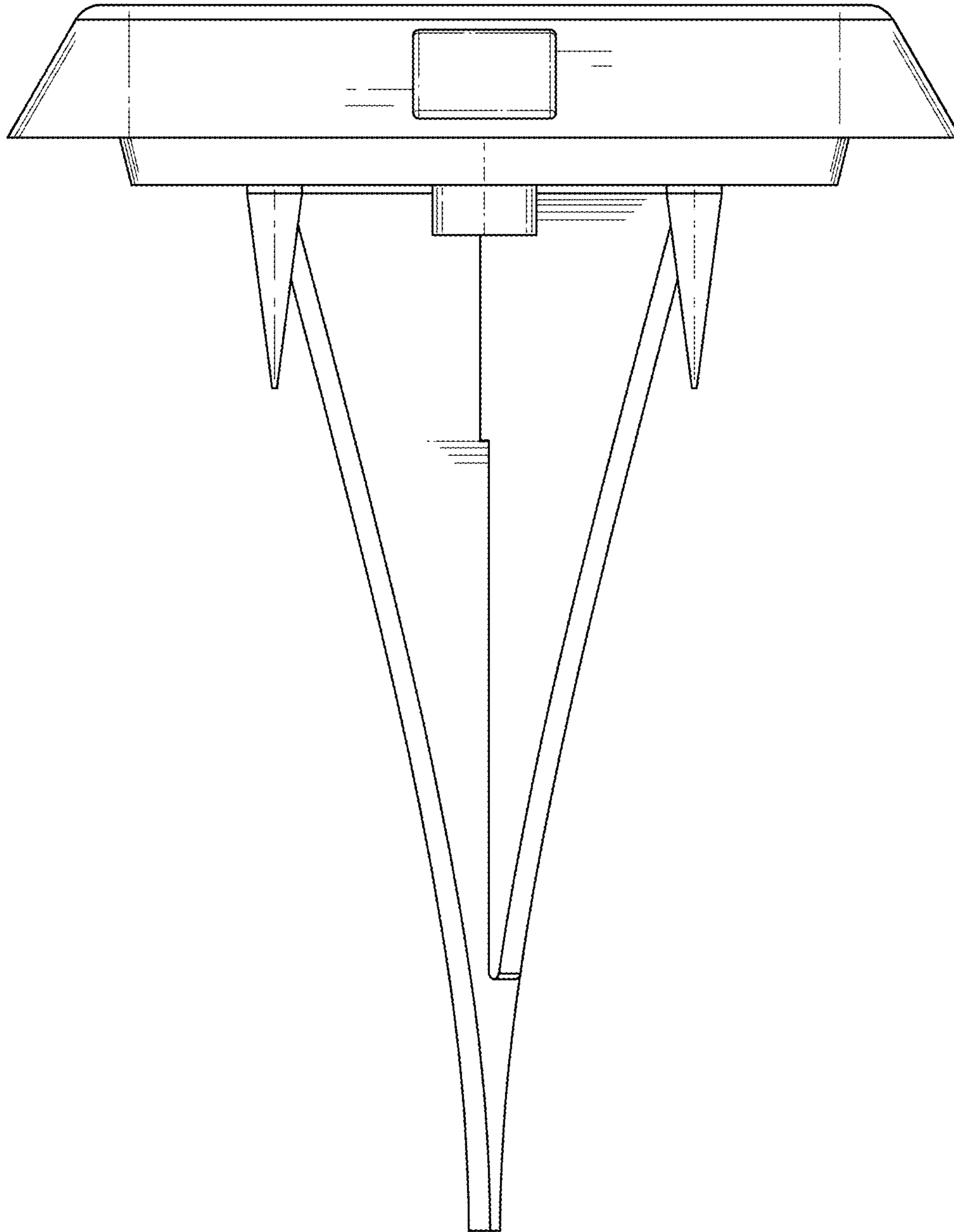


FIG. 3

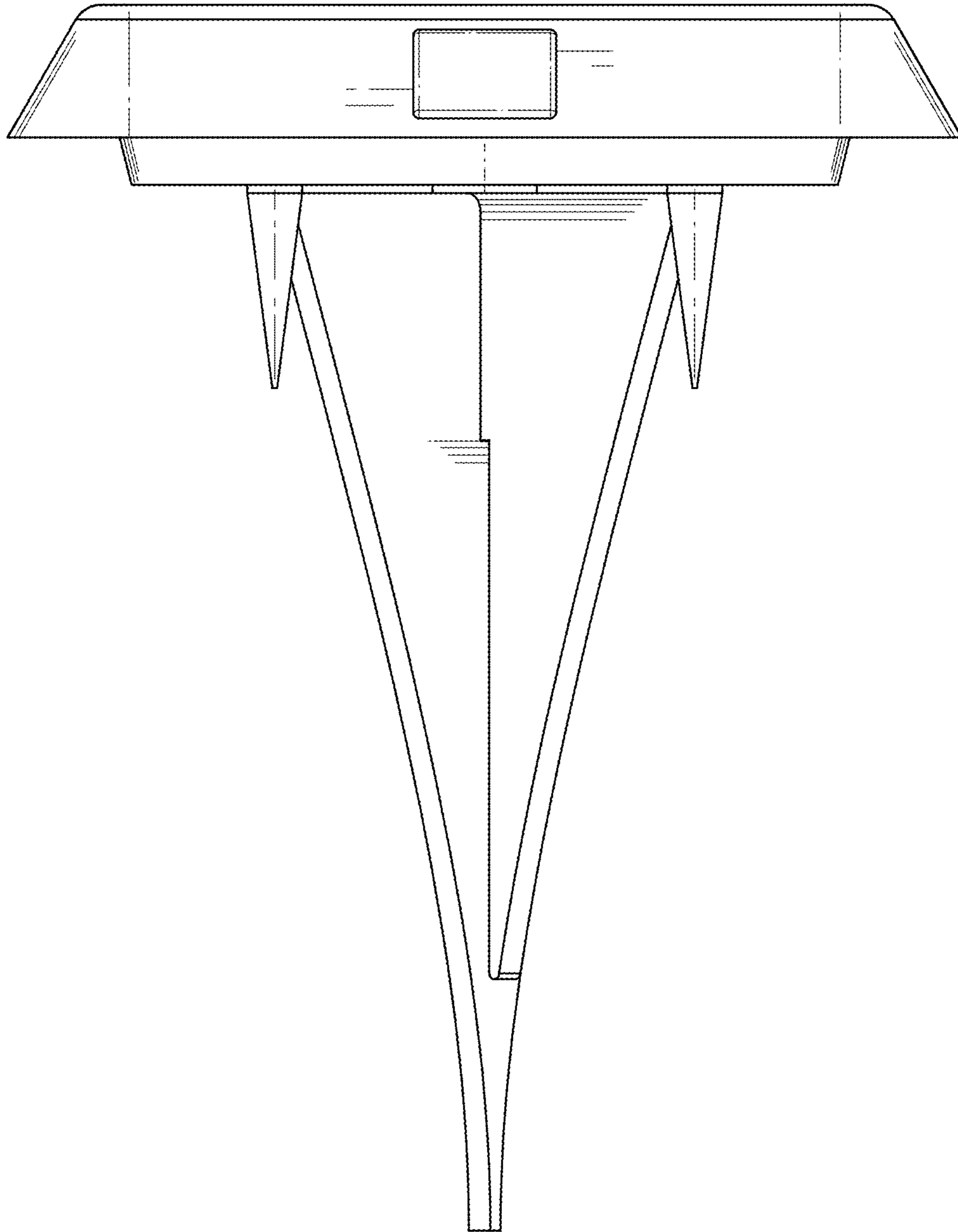


FIG. 4

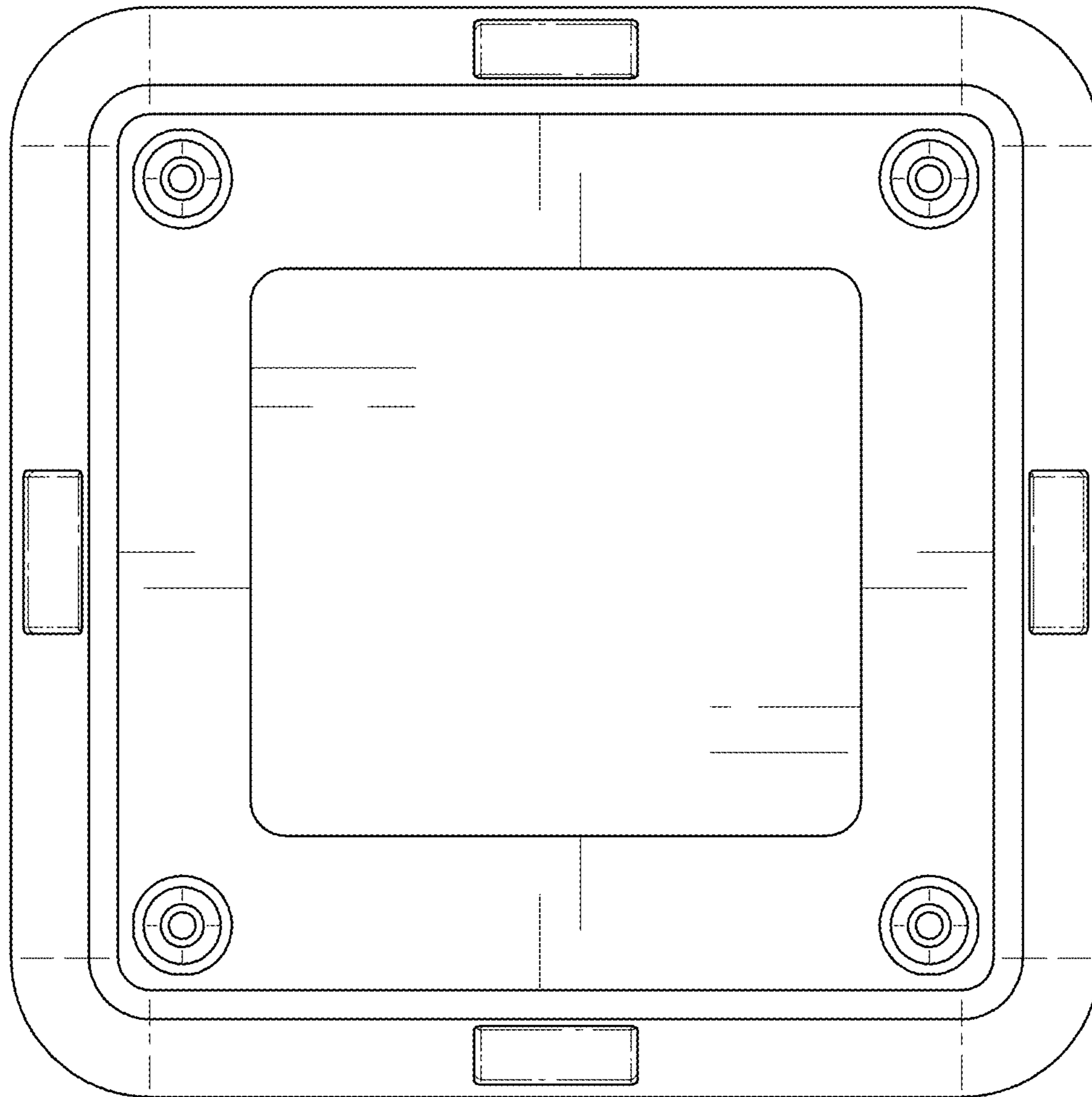


FIG. 5

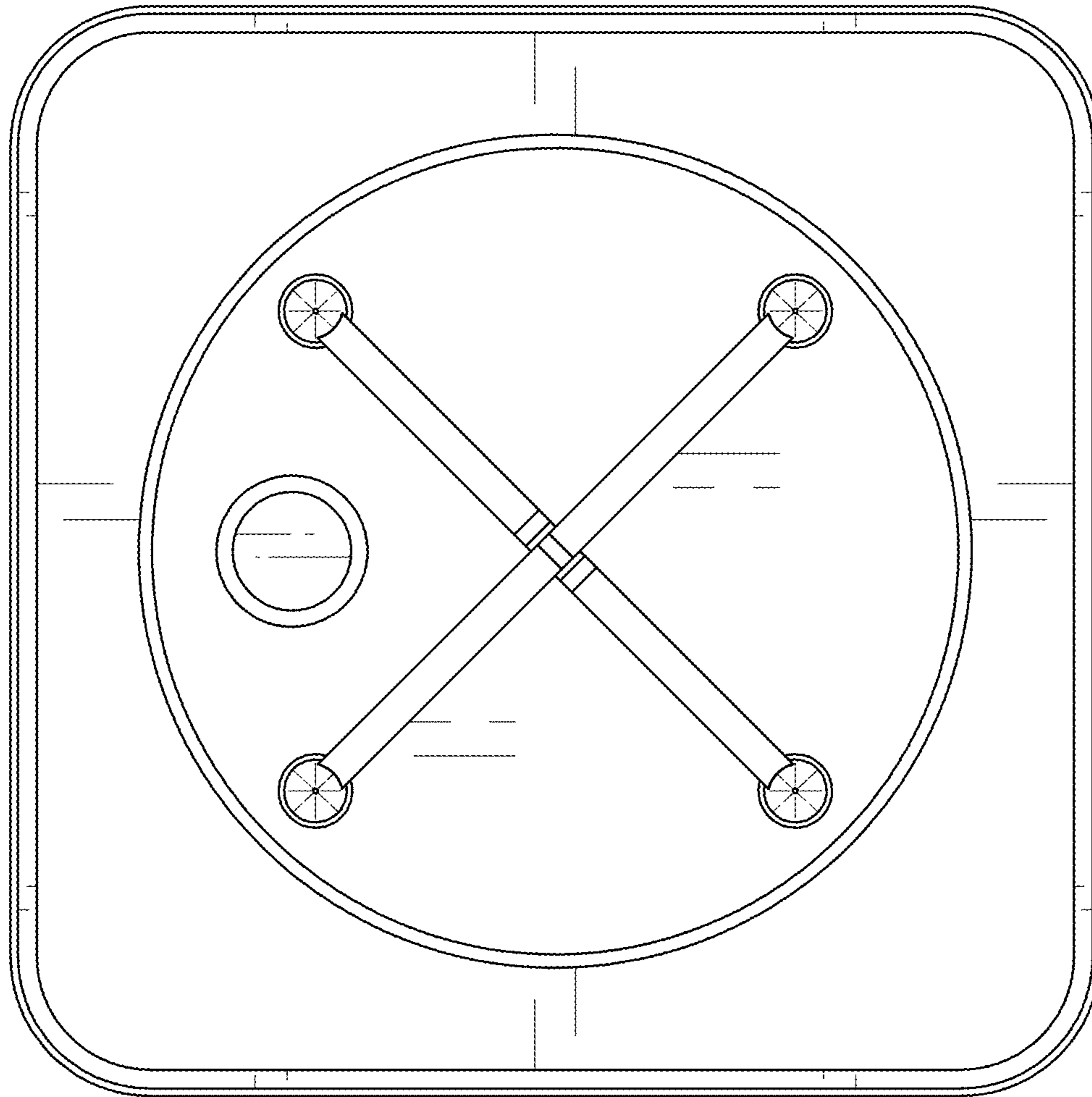


FIG. 6

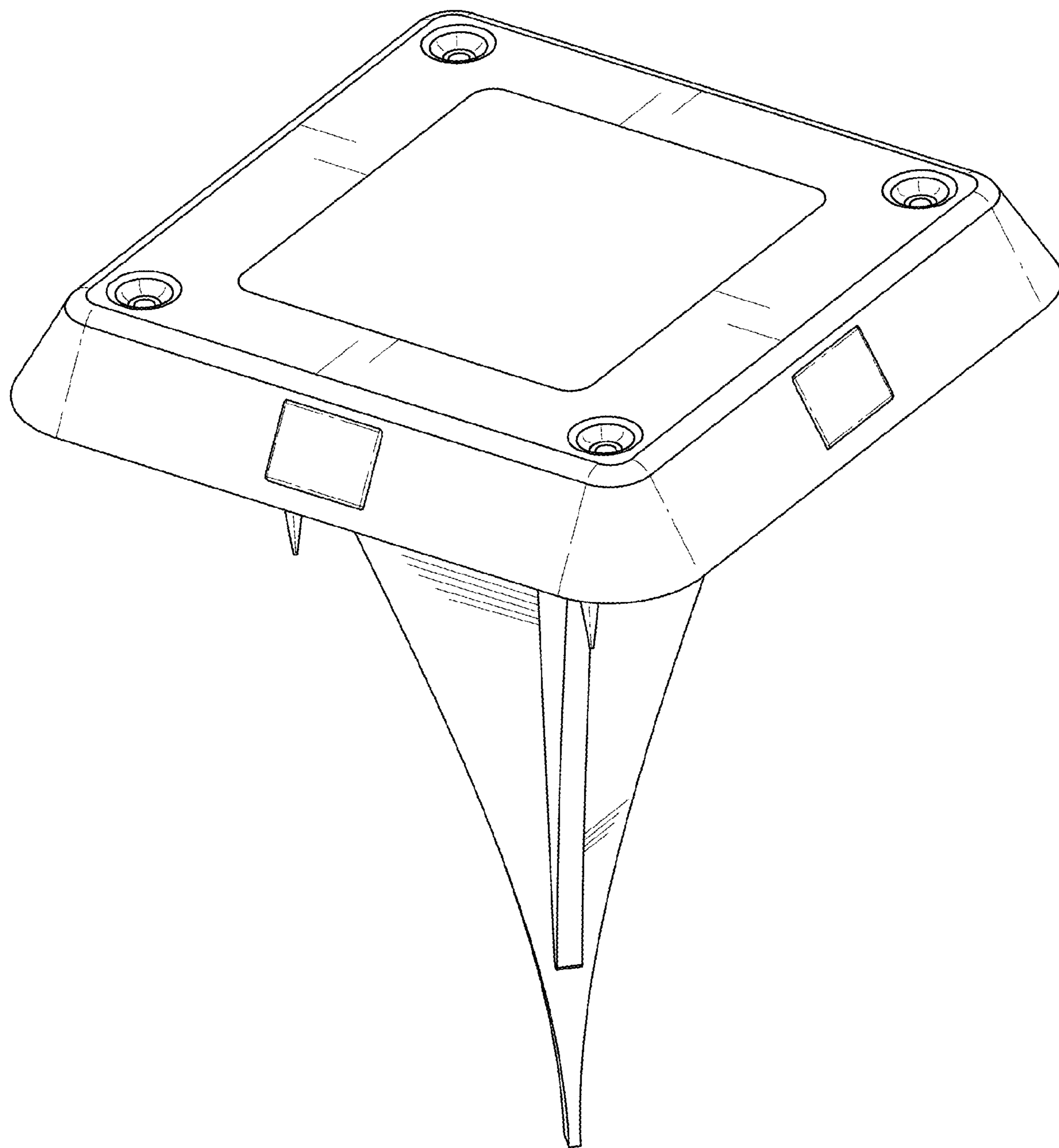


FIG. 7

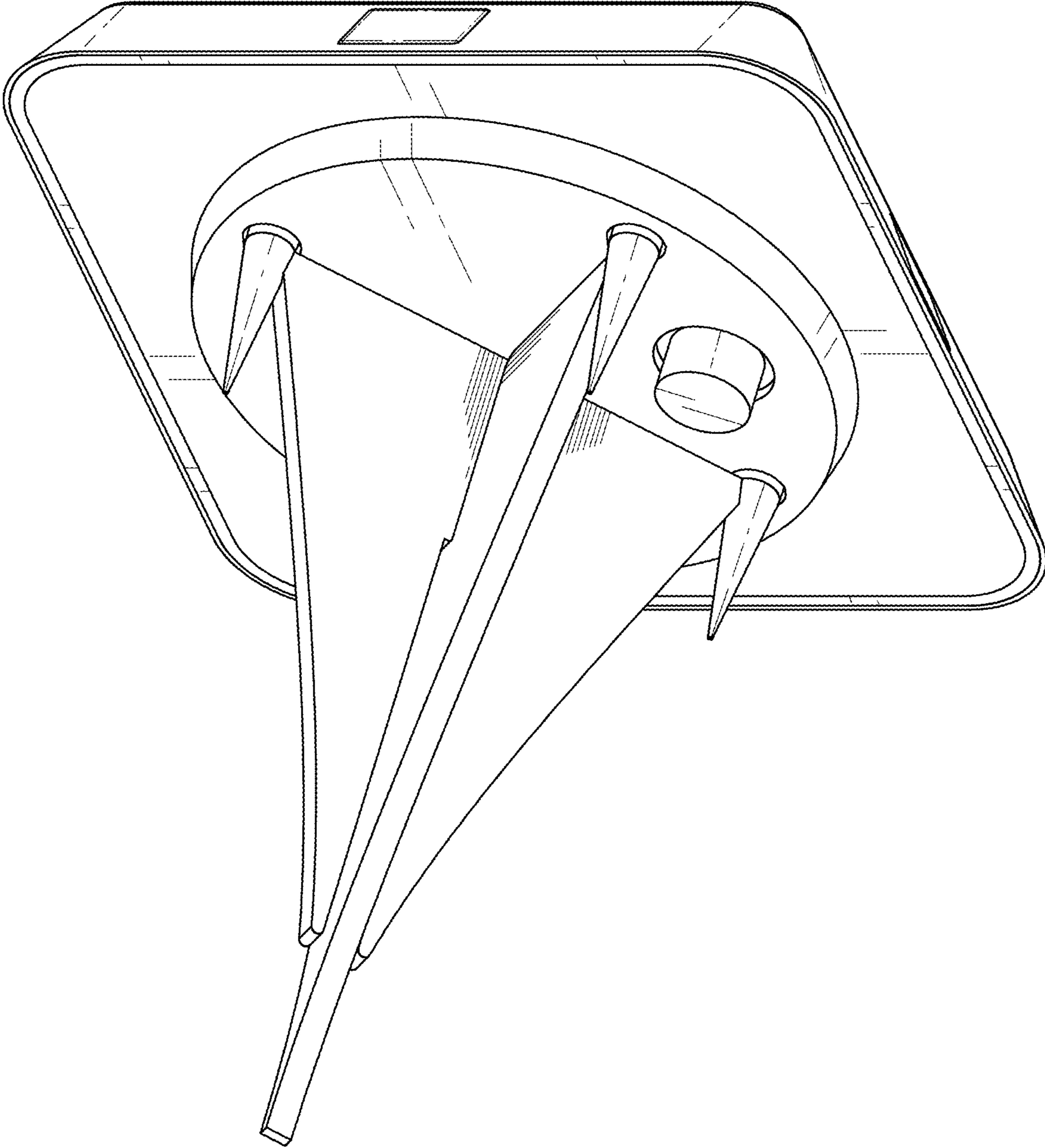


FIG. 8