



US00D945671S

(12) **United States Design Patent** (10) **Patent No.:** **US D945,671 S**
Liao (45) **Date of Patent:** **** Mar. 8, 2022**

(54) **POST CAP LIGHT**

(71) Applicant: **ZHONGSHAN T-SUN OPTOELECTRONIC CO., LTD.,**
Guangzhou (CN)

(72) Inventor: **Fuqing Liao, Zhongshan (CN)**

(73) Assignee: **ZHONGSHAN T-SUN OPTOELECTRONIC CO., LTD.,**
Zhongshan (CN)

(**) Term: **15 Years**

(21) Appl. No.: **29/709,755**

(22) Filed: **Oct. 17, 2019**

(51) **LOC (13) Cl.** **26-05**

(52) **U.S. Cl.**
USPC **D26/67; D25/135**

(58) **Field of Classification Search**
USPC D26/24, 40, 44, 60, 61, 63-70, 84-87,
D26/92, 93, 104-106, 108, 110, 121, 128,
D26/137; D25/135
CPC F21L 13/00; F21S 9/00; F21S 9/02; F21S
9/03; F21S 9/035; F21S 9/037; F21S
10/00; F21S 10/005; F21S 10/007; F21S
8/08; F21S 8/081; F21S 8/083; F21S
8/086; F21S 8/088

See application file for complete search history.

(56) **References Cited**

U.S. PATENT DOCUMENTS

6,585,398 B1 * 7/2003 Haddad F21V 13/12
362/328
D518,190 S * 3/2006 Smith D25/135
D534,662 S * 1/2007 Quigley D25/135
D580,581 S * 11/2008 Grant D25/135
7,686,485 B1 * 3/2010 Pever F21V 27/00
362/431
D624,227 S * 9/2010 Grant D26/67
D670,405 S * 11/2012 McKenzie D25/135
D693,510 S * 11/2013 Chen D26/67
D741,532 S * 10/2015 Swope D26/67

D744,687 S * 12/2015 Li D26/67
D877,386 S * 3/2020 Grant D26/67
2002/0148183 A1 * 10/2002 Grant F21S 8/081
52/300
2005/0247920 A1 * 11/2005 Burkart F21V 33/006
256/1

FOREIGN PATENT DOCUMENTS

CN RGN-305782752 * 5/2020

OTHER PUBLICATIONS

(2 Pack) Solar Power Square (available online) Retrieved from the internet Oct. 28, 2021 from URL: <https://www.amazon.com/Solar-Power-Square-Outdoor-Garden/dp/B00YTKKV4M>.
T-SUN_Solar_Post_Lights (available online Aug. 14, 2019) Retrieved from the internet Oct. 28, 2021 from URL: https://www.amazon.com/dp/B07WFP2C4F/ref=sspa_dk_detail_9?psc=1&pd_rd_w=Ahxu7&pf_rd_p=887084a2-5c34-4113-a4f8-b7947847c308&pd_%E2%80%A6%204/10.

* cited by examiner

Primary Examiner — Richard Kearney
(74) *Attorney, Agent, or Firm* — Zhihua Han; Wen IP LLC

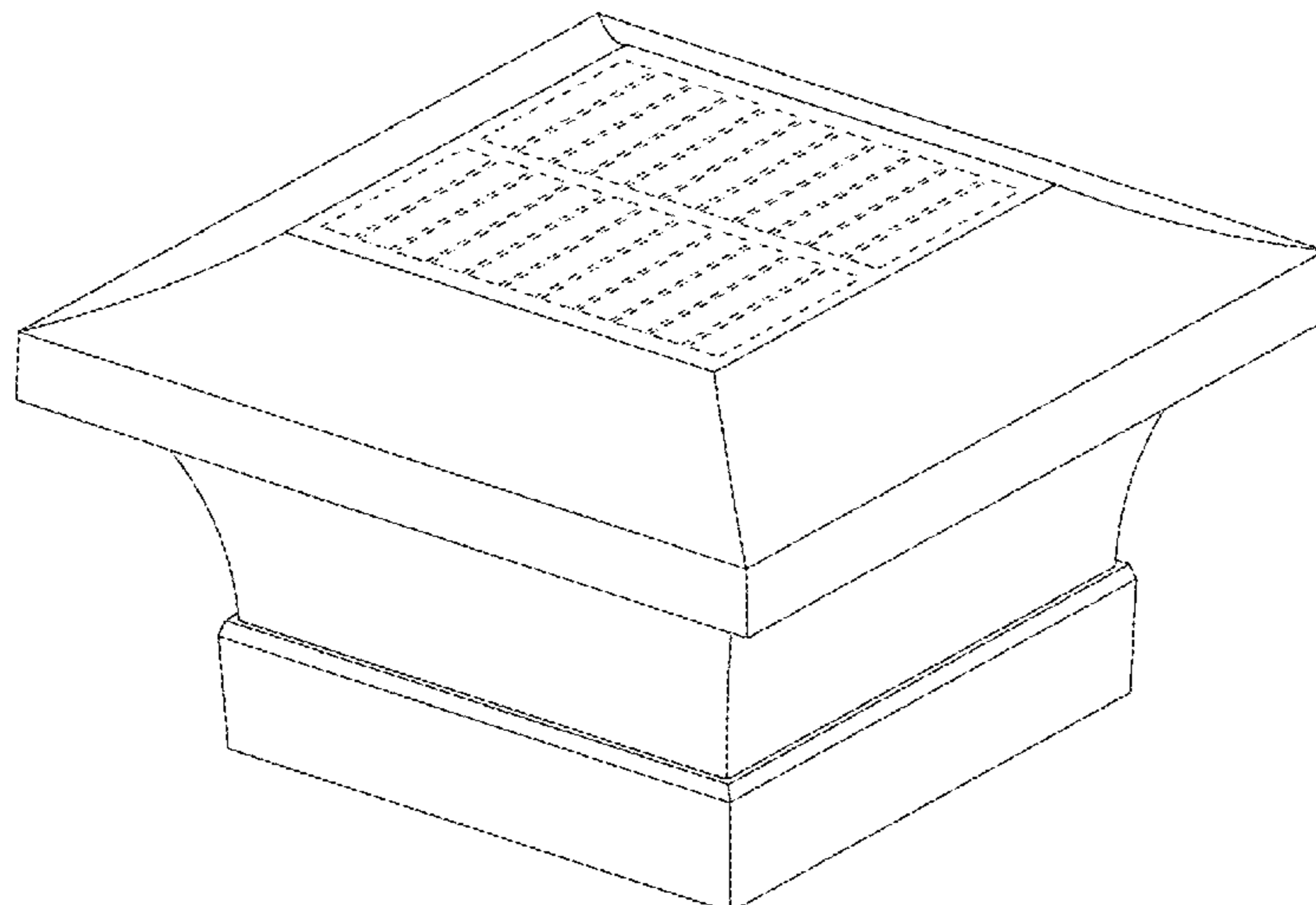
(57) **CLAIM**

I claim the ornamental design for a post cap light, as shown and described.

DESCRIPTION

FIG. 1 is a prospective view of a post cap light, showing my new design;
FIG. 2 is another prospective view thereof;
FIG. 3 is a top plan view thereof;
FIG. 4 is a bottom plan view thereof; and,
FIG. 5 is a front elevation view thereof, the rear and side elevation views being a mirror image thereof.
The broken lines shown in the drawings illustrate portions of the post cap light and form no part of the claimed design.

1 Claim, 5 Drawing Sheets



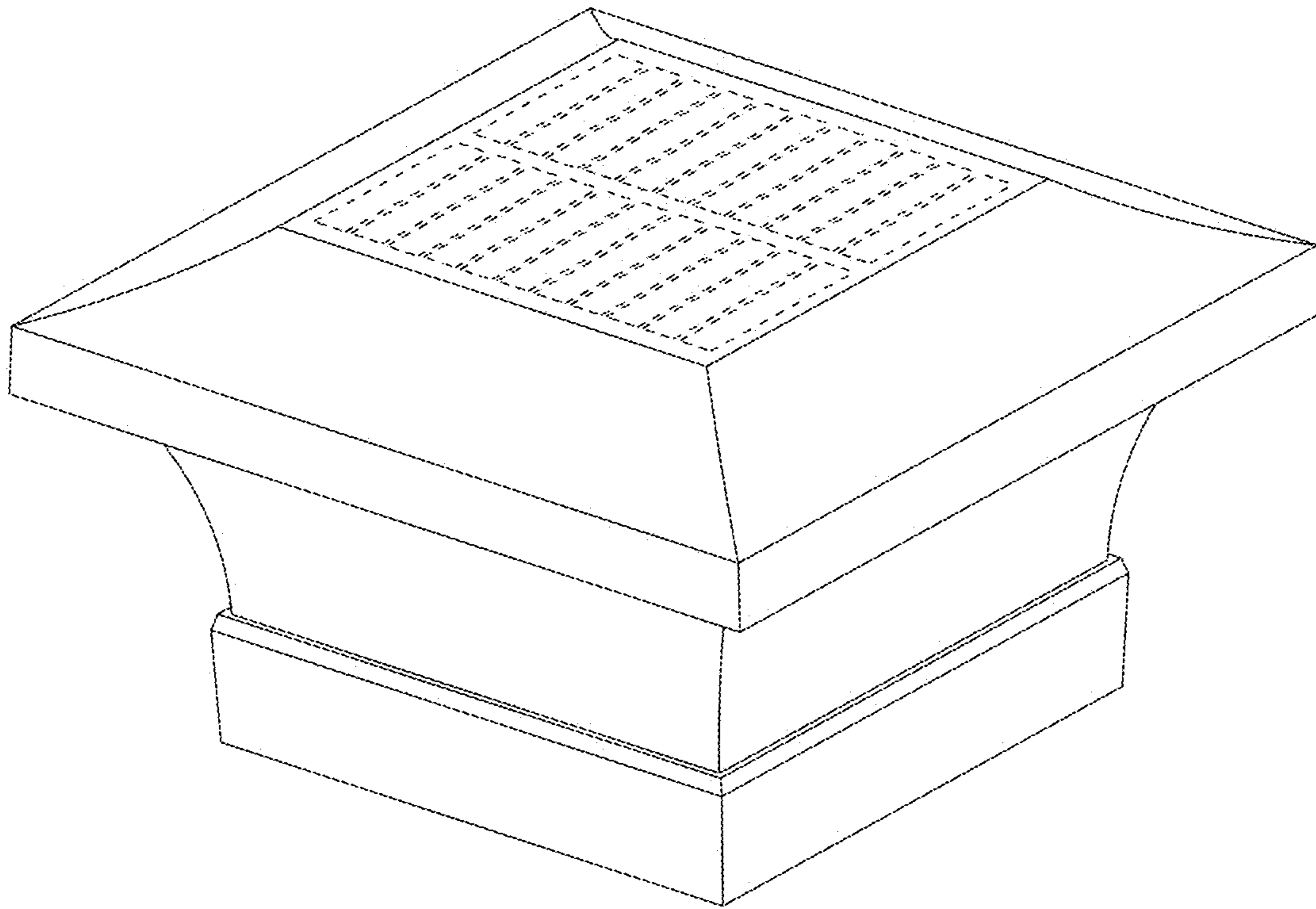


FIG. 1

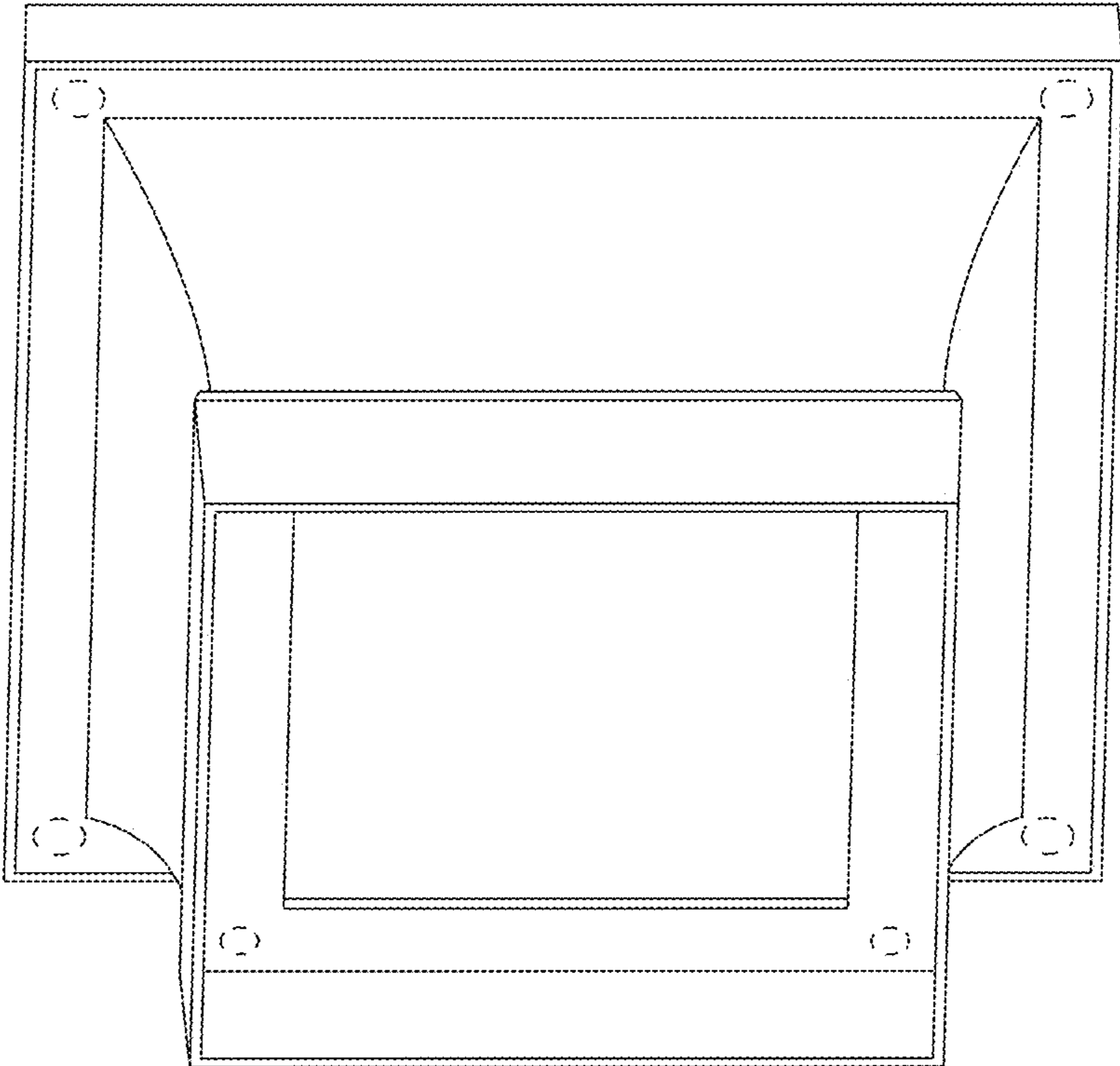


FIG. 2

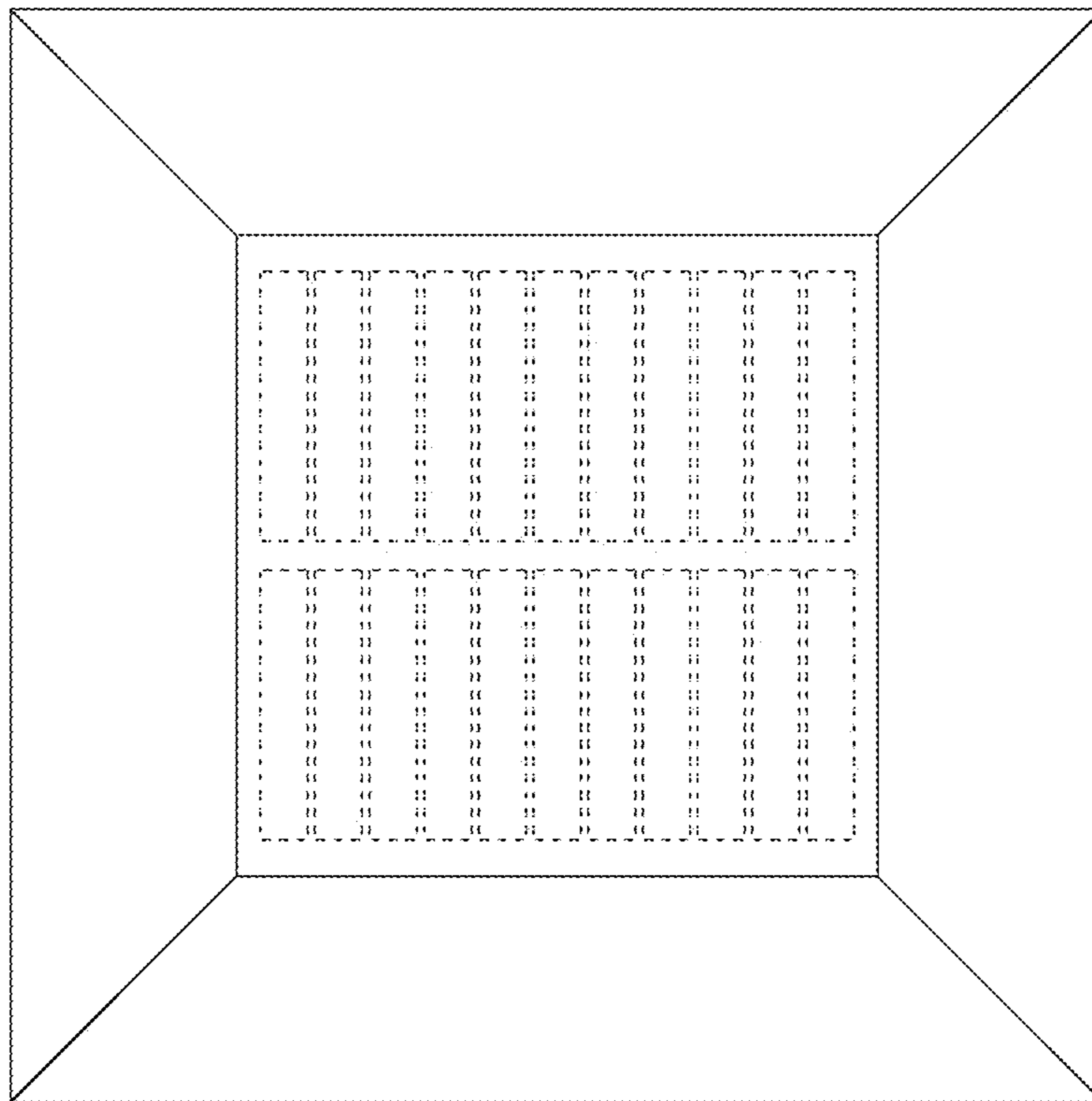


FIG. 3

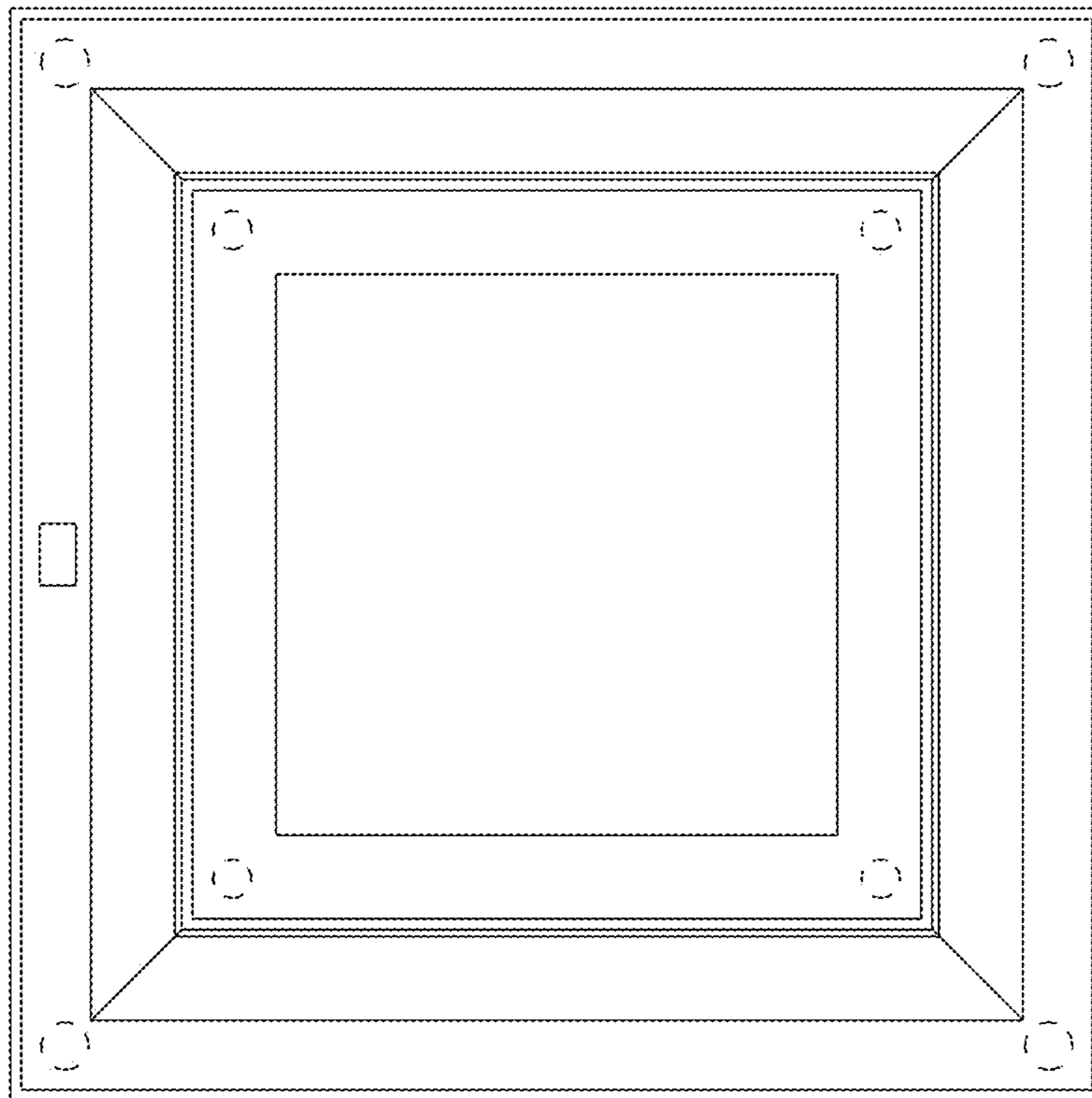


FIG. 4

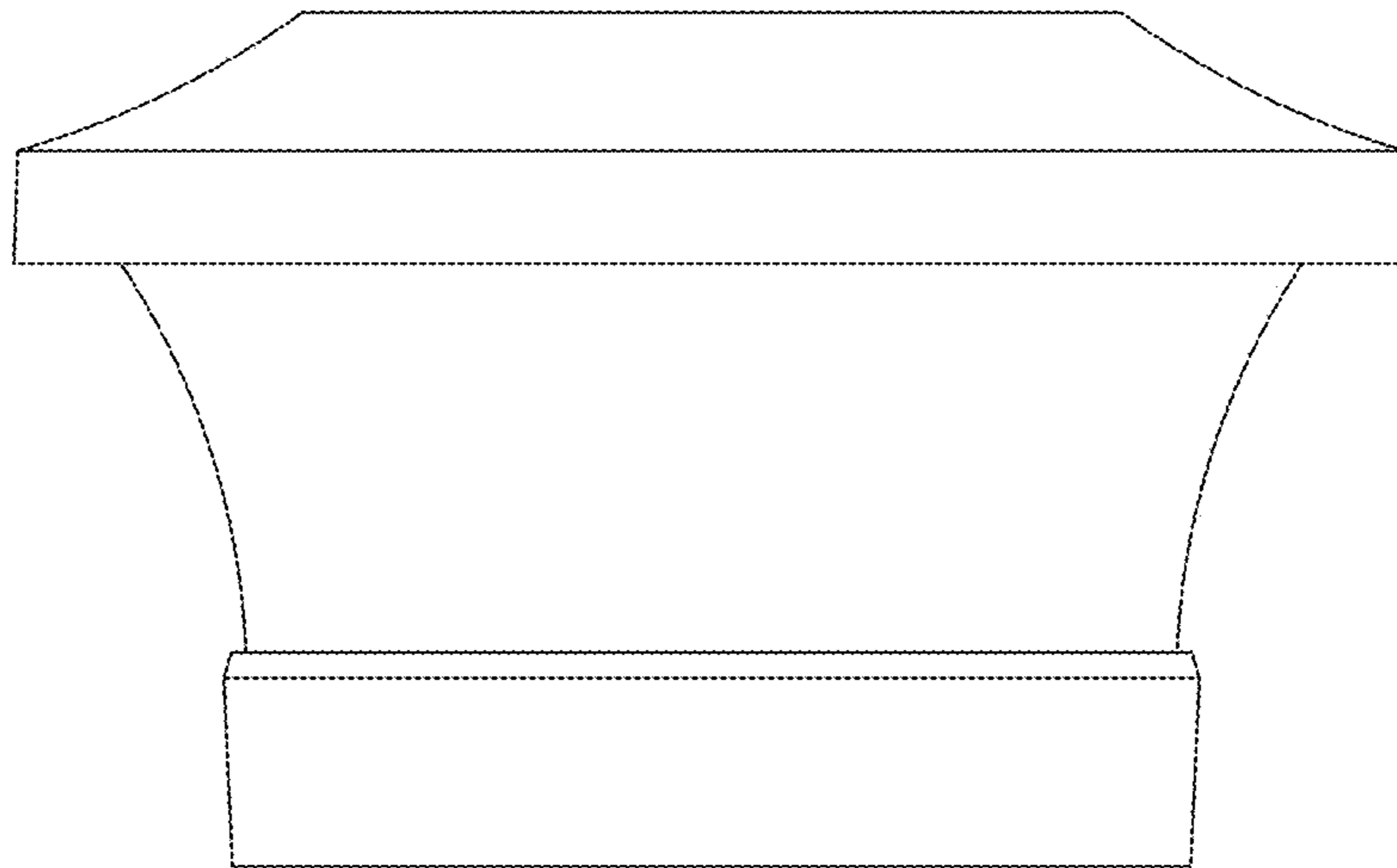


FIG. 5