

US00D945670S

(12) **United States Design Patent** (10) **Patent No.:** **US D945,670 S**
Wu (45) **Date of Patent:** **** Mar. 8, 2022**

(54) **SPOTLIGHT**

(71) Applicant: **SHENZHEN BSV SOLAR ENERGY CO., LTD**, Shenzhen (CN)

(72) Inventor: **Huiqiang Wu**, Shenzhen (CN)

(**) Term: **15 Years**

(21) Appl. No.: **29/713,742**

(22) Filed: **Nov. 18, 2019**

(30) **Foreign Application Priority Data**

Aug. 19, 2019 (EP) 006740163

(51) **LOC (13) Cl.** **26-05**

(52) **U.S. Cl.**
USPC **D26/63; D26/67**

(58) **Field of Classification Search**
USPC D26/24, 40, 44, 60, 61, 63-70, 84-87,
D26/92, 93, 104-106, 108, 110, 121, 128,
D26/137

CPC F21L 13/00; F21S 9/00; F21S 9/02; F21S
9/03; F21S 9/035; F21S 9/037; F21S
10/00; F21S 10/005; F21S 10/007; F21S
8/08; F21S 8/081; F21S 8/083; F21S
8/086; F21S 8/088

See application file for complete search history.

(56) **References Cited**

U.S. PATENT DOCUMENTS

D204,215 S * 3/1966 Morgan D16/240
D207,549 S * 5/1967 Bodian D26/24

D550,877 S * 9/2007 Mullen D26/63
D551,789 S * 9/2007 Mullen D26/63
D859,718 S * 9/2019 Groat D26/63
D869,060 S * 12/2019 Mullen D26/118
D900,372 S * 10/2020 Peng D26/63
D912,870 S * 3/2021 Harders D26/63
D919,148 S * 5/2021 Shirota D26/60

* cited by examiner

Primary Examiner — Richard Kearney

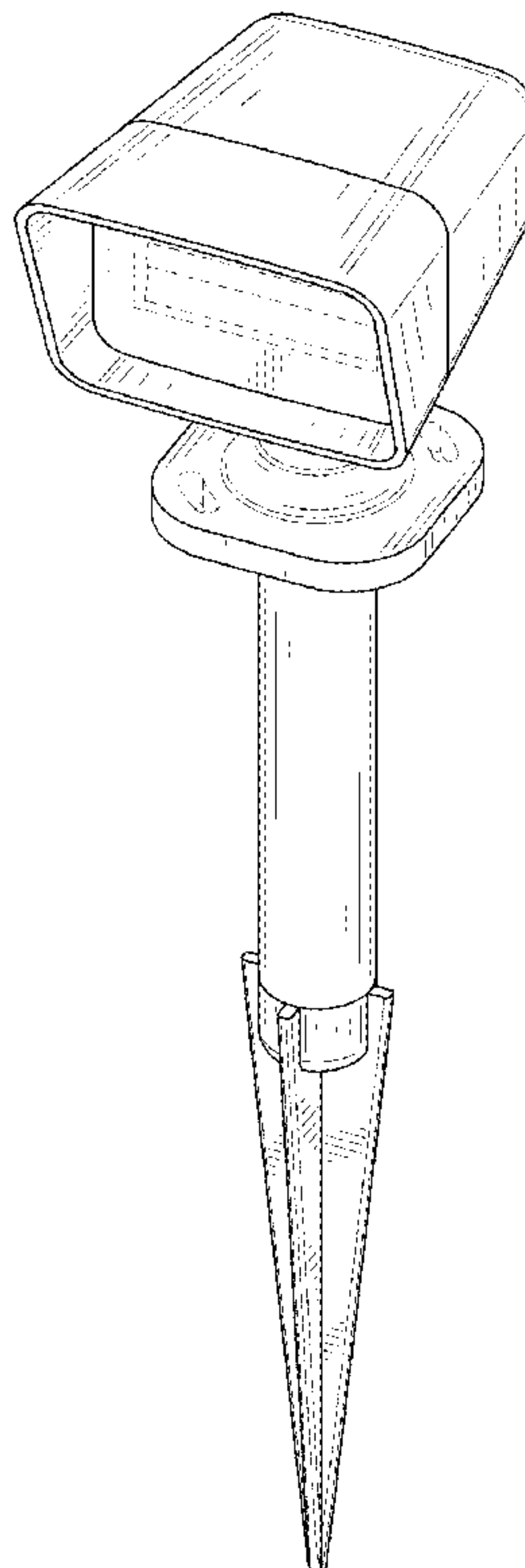
(57) **CLAIM**

The ornamental design for a spotlight, as shown and described.

DESCRIPTION

FIG. 1 is a first perspective view of a spotlight showing my new design;
FIG. 2 is a second perspective view thereof;
FIG. 3 is a front view thereof;
FIG. 4 is a back view thereof;
FIG. 5 is a left side view thereof;
FIG. 6 is a right side view thereof;
FIG. 7 is a top view thereof; and,
FIG. 8 is a bottom view thereof.
The broken lines shown in the drawings depict portions of the spotlight in which the design is embodied that form no part of the claimed design.

1 Claim, 8 Drawing Sheets



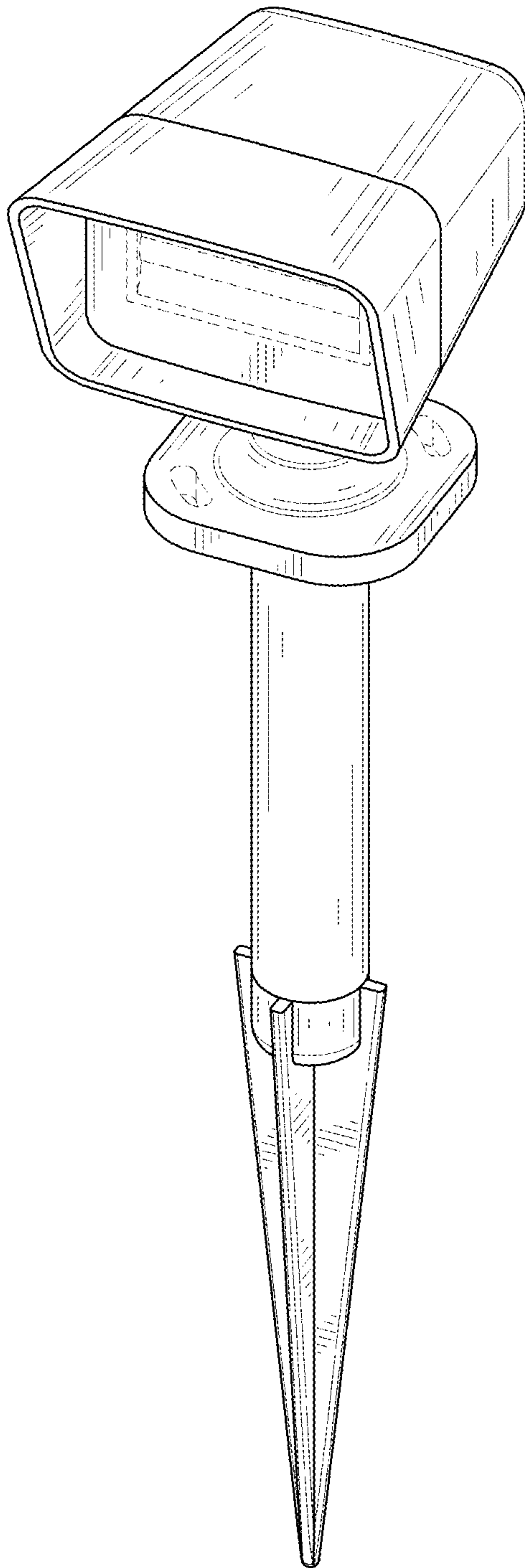


FIG. 1

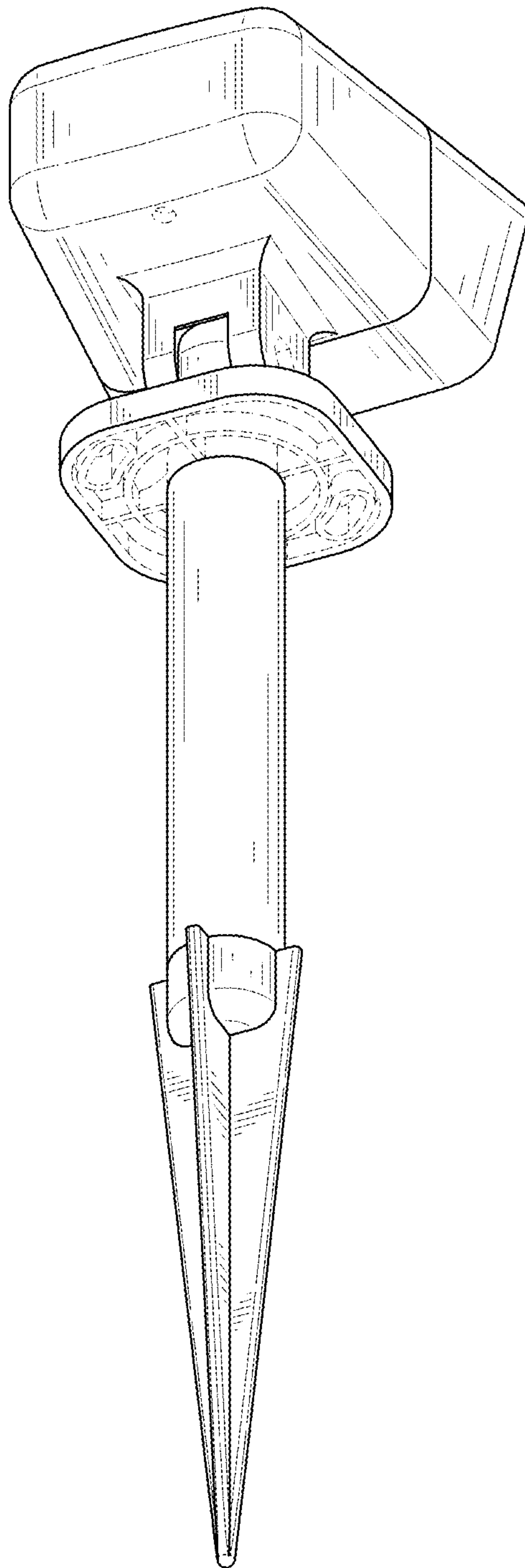


FIG. 2

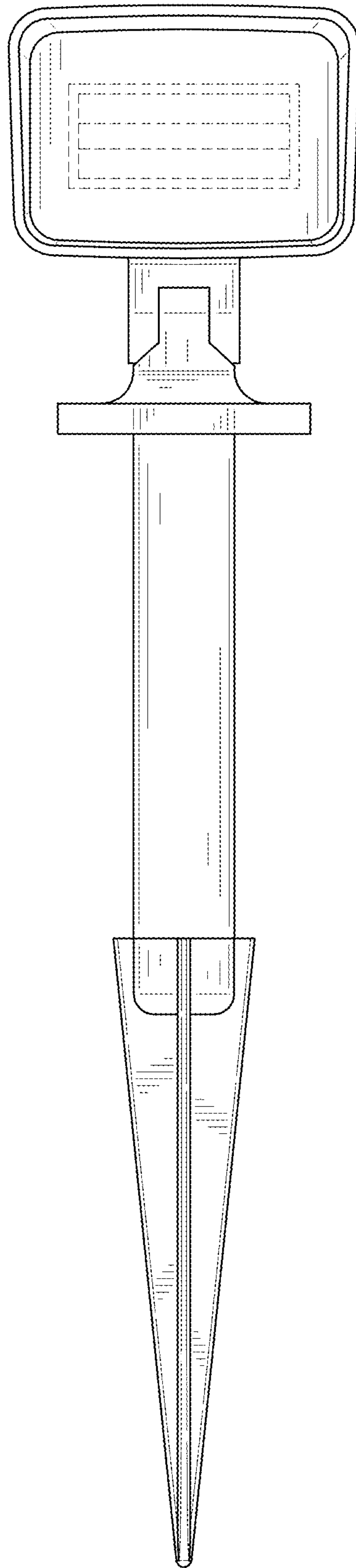


FIG. 3

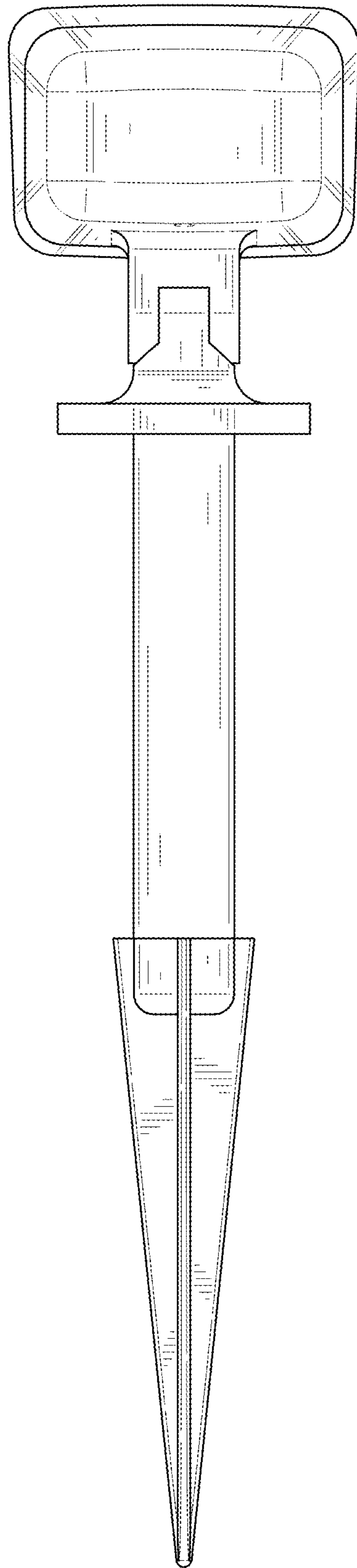


FIG. 4

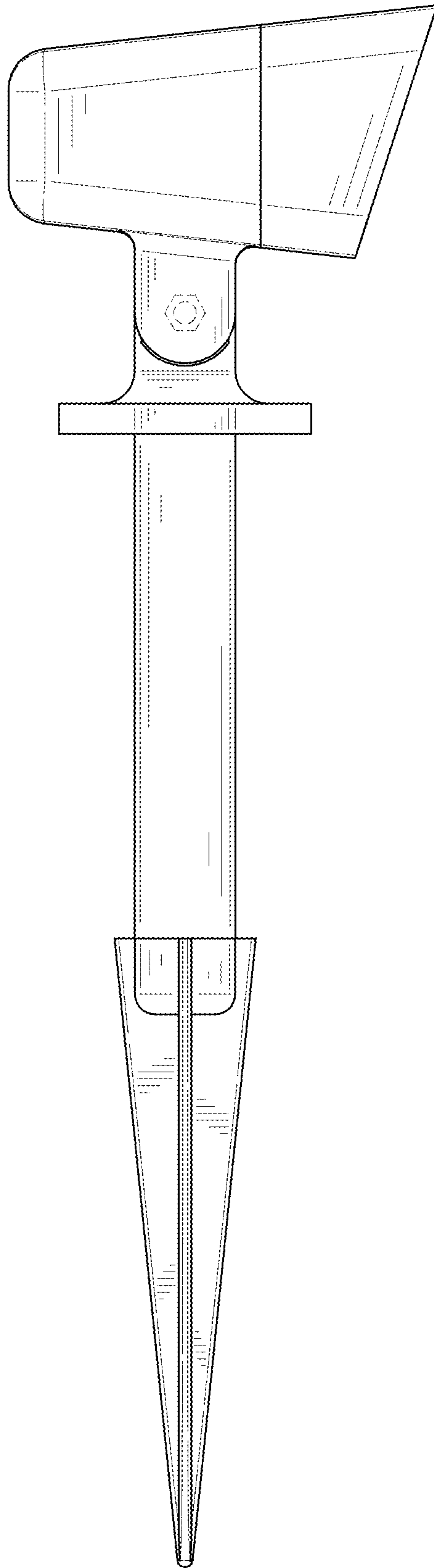


FIG. 5

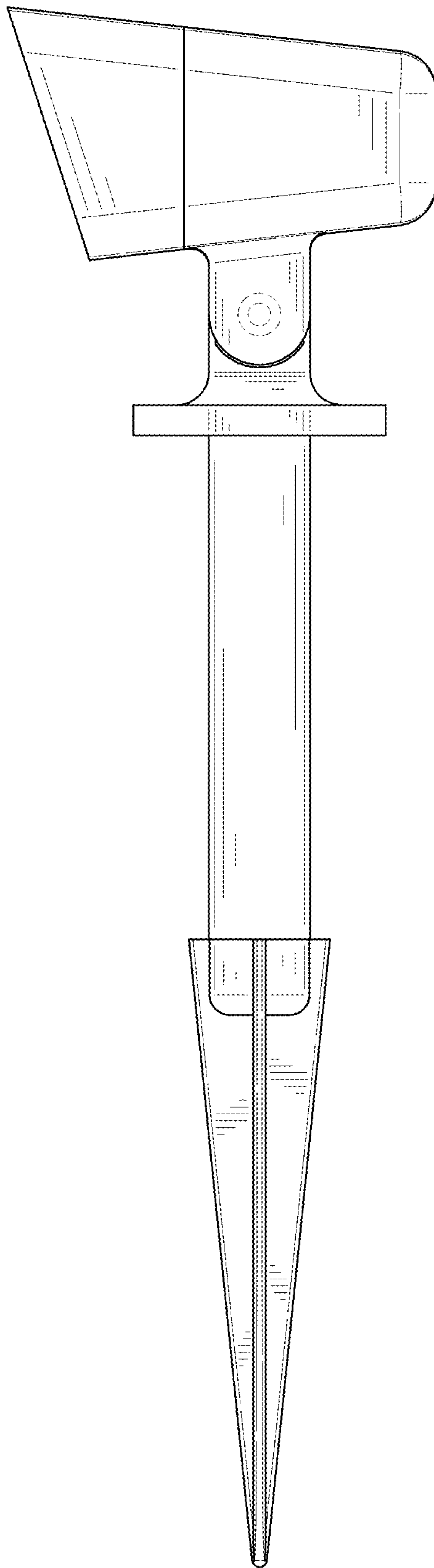


FIG. 6

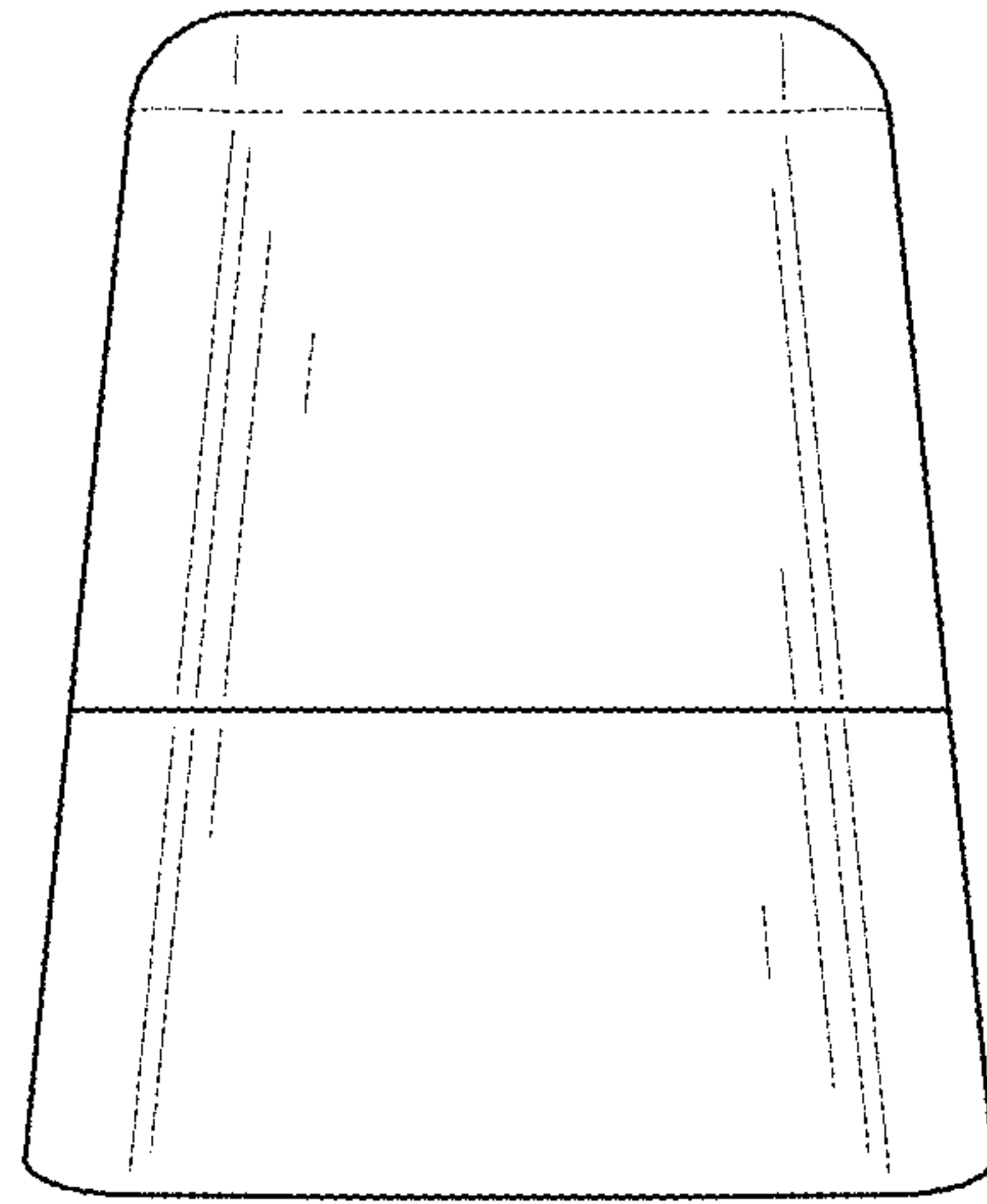


FIG. 7

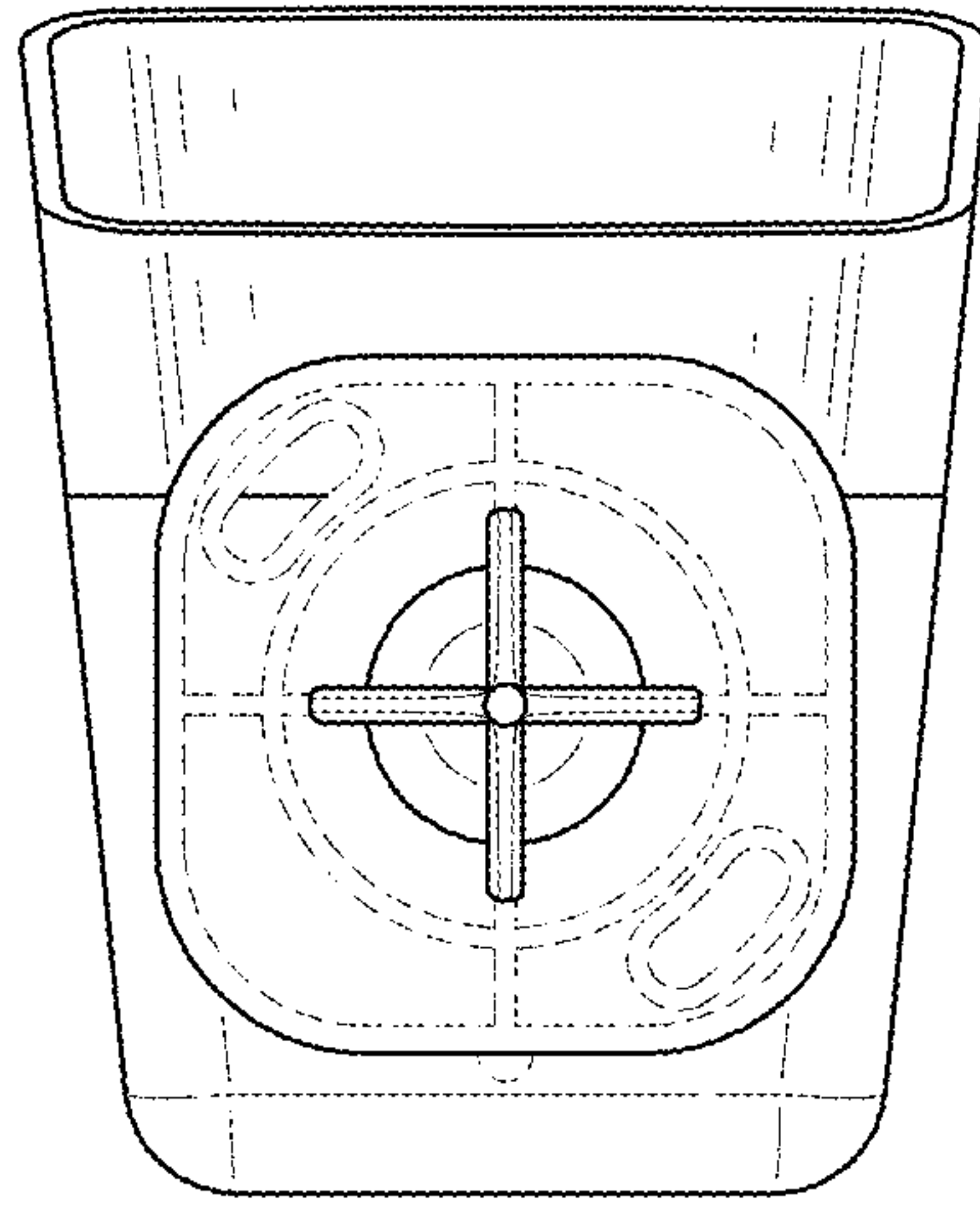


FIG. 8