



US00D945669S

(12) **United States Design Patent**
Hao

(10) **Patent No.:** **US D945,669 S**
(45) **Date of Patent:** **** Mar. 8, 2022**

(54) **LIGHT**

(71) Applicant: **SHENZHEN AIKEGLOBAL INDUSTRIAL CO., LTD**, Shenzhen (CN)

(72) Inventor: **Dandan Hao**, Shenzhen (CN)

(73) Assignee: **SHENZHEN AIKEGLOBAL INDUSTRIAL CO., LTD**, Shenzhen (CN)

(**) Term: **15 Years**

(21) Appl. No.: **29/775,718**

(22) Filed: **Mar. 25, 2021**

(51) **LOC (13) Cl.** **26-05**

(52) **U.S. Cl.**
USPC **D26/60**

(58) **Field of Classification Search**
USPC D26/1, 24, 51, 60, 61, 63
CPC F21L 2/00; F21L 2001/00; F21L 14/00;
F21S 2/00; F21S 6/00
See application file for complete search history.

(56) **References Cited**

U.S. PATENT DOCUMENTS

D269,913 S *	7/1983	Johnson	D26/24
D300,864 S *	4/1989	Titmarsh	D26/24
D617,484 S *	6/2010	Fredricks	D26/51
D735,922 S *	8/2015	Yamauchi	D26/51
D740,985 S *	10/2015	Dooley	D26/37
D792,996 S *	7/2017	Moeller	H05B 47/11
				D26/65
D792,997 S *	7/2017	Moeller	D26/65
D827,901 S *	9/2018	Dal Ponte	F21V 23/0471
				D26/71
D842,518 S *	3/2019	Griffin	D26/51

D851,311 S	6/2019	Fan	
D921,258 S *	6/2021	Xu D26/63
D932,080 S *	9/2021	Wang D26/60
2015/0311747 A1 *	10/2015	Chu H05B 47/11
			307/18
2021/0195715 A1 *	6/2021	Kowalenko F21V 23/0471

FOREIGN PATENT DOCUMENTS

CN 202030691042.0 * 7/2021

OTHER PUBLICATIONS

Amazon, "Viltrox LED On Camera Video Light", first available Jun. 12, 2019. (<https://www.amazon.com/dp/B07T13H34S/>) (Year: 2019).*

(Continued)

Primary Examiner — Lauren D McVey
Assistant Examiner — Justin A Johnson

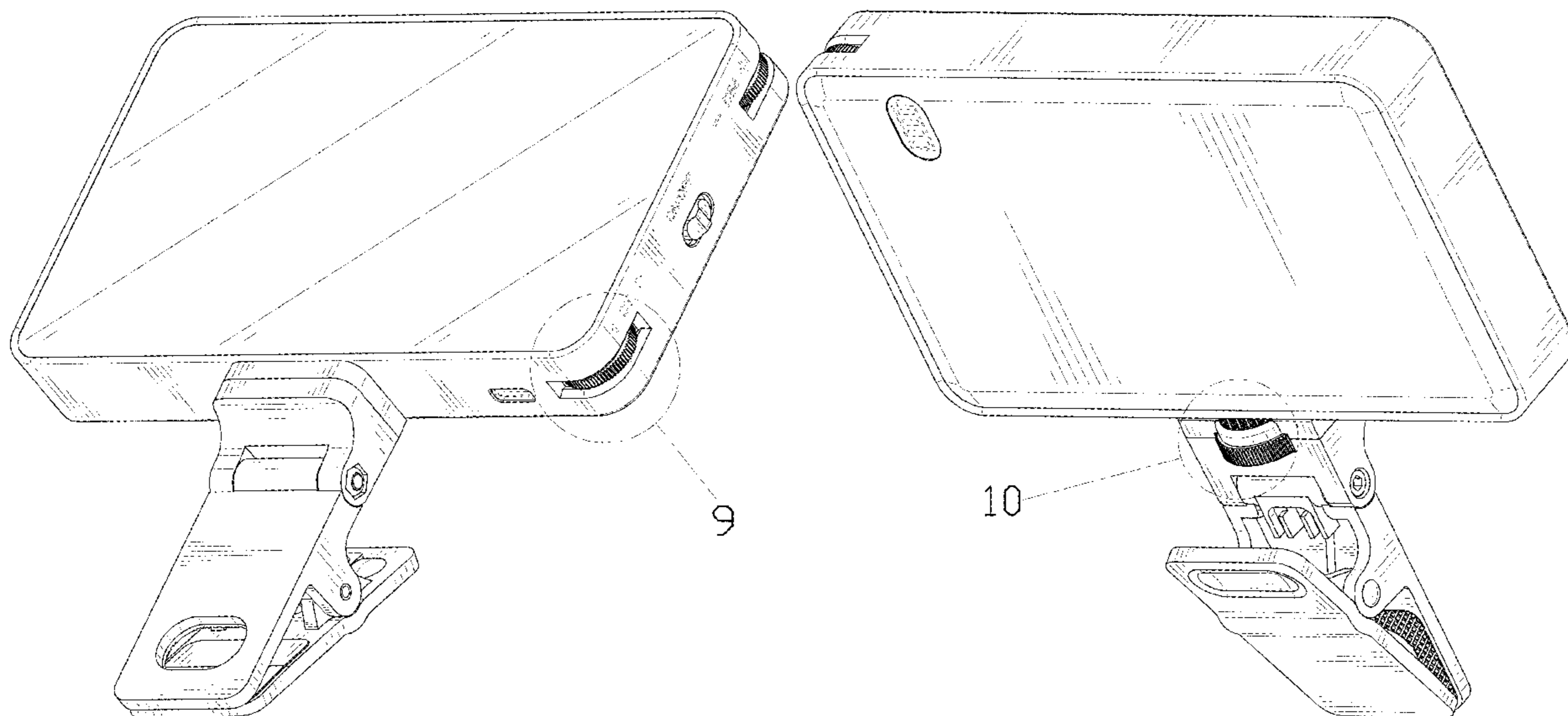
(57) **CLAIM**

The ornamental design for a light, as shown and described.

DESCRIPTION

FIG. 1 is a perspective view of a light showing my new design;
FIG. 2 is another perspective view thereof;
FIG. 3 is a front elevational view thereof;
FIG. 4 is a rear elevational view thereof;
FIG. 5 is a left side elevational view thereof;
FIG. 6 is a right side elevational view thereof;
FIG. 7 is a top plan view thereof;
FIG. 8 is a bottom plan view thereof;
FIG. 9 is an enlarged view of portion 9 shown in FIG. 1; and,
FIG. 10 is an enlarged view of portion 10 shown in FIG. 2.
The broken lines in the drawings depict portions of the light that form no part of the claimed design.

1 Claim, 10 Drawing Sheets



(56)

References Cited

OTHER PUBLICATIONS

Amazon, "Pictar Smart Light", first available Aug. 22, 2019. (<https://www.amazon.com/Pictar-Smart-Light-Compact-Smartphone/dp/B07WWBV8S2>) (Year: 2019).*

Amazon, "Pixel Video Conference Lighting Kit with Suction Cup", first available Dec. 29, 2020. (<https://www.amazon.com/dp/B08RHX19L3/>) (Year: 2020).*

Amazon, "Video Conference Lighting, Wireless Video Light", first available Jun. 28, 2021. (<https://www.amazon.com/dp/B097Y2GSSL/>) (Year: 2021).*

* cited by examiner

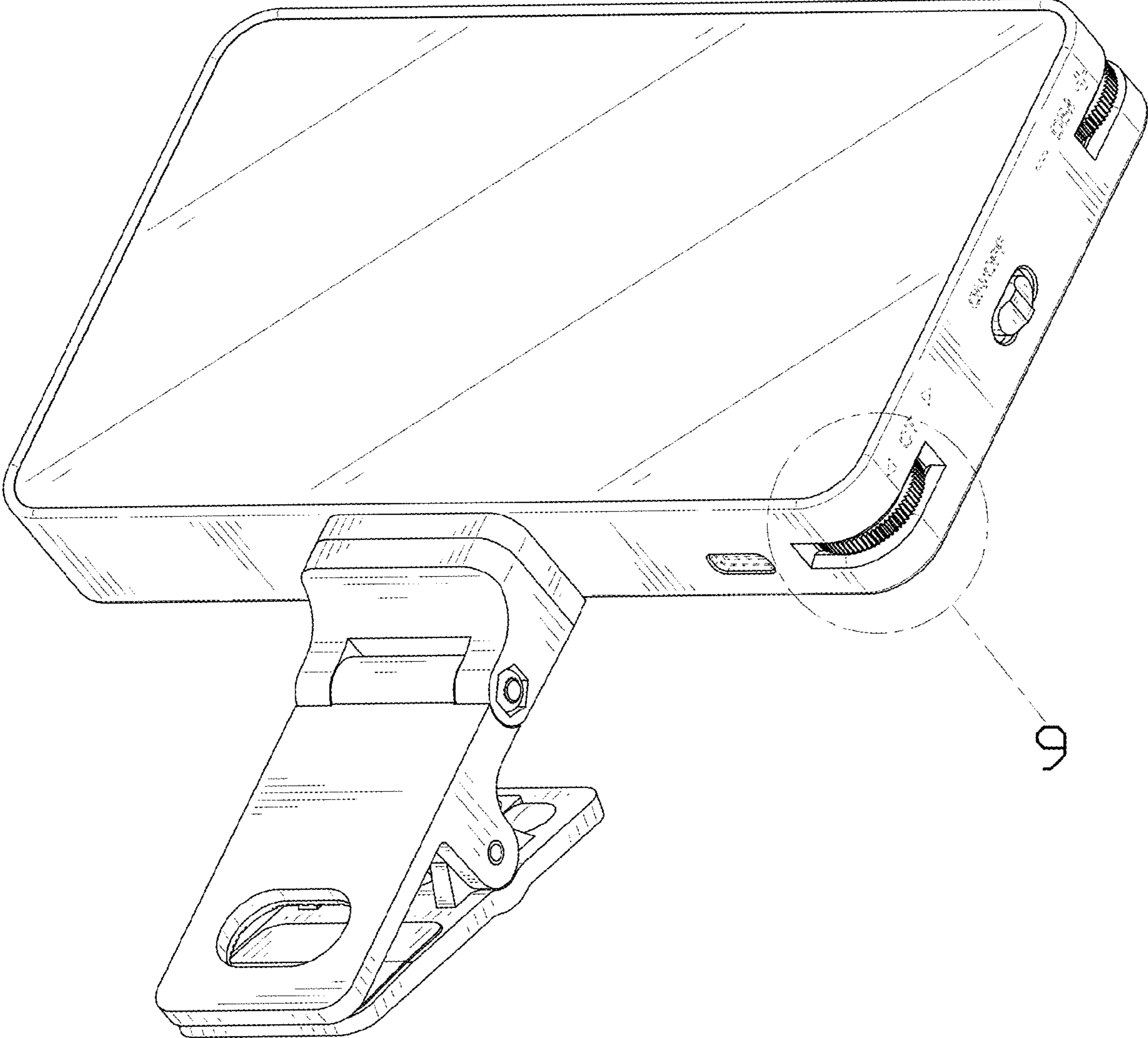
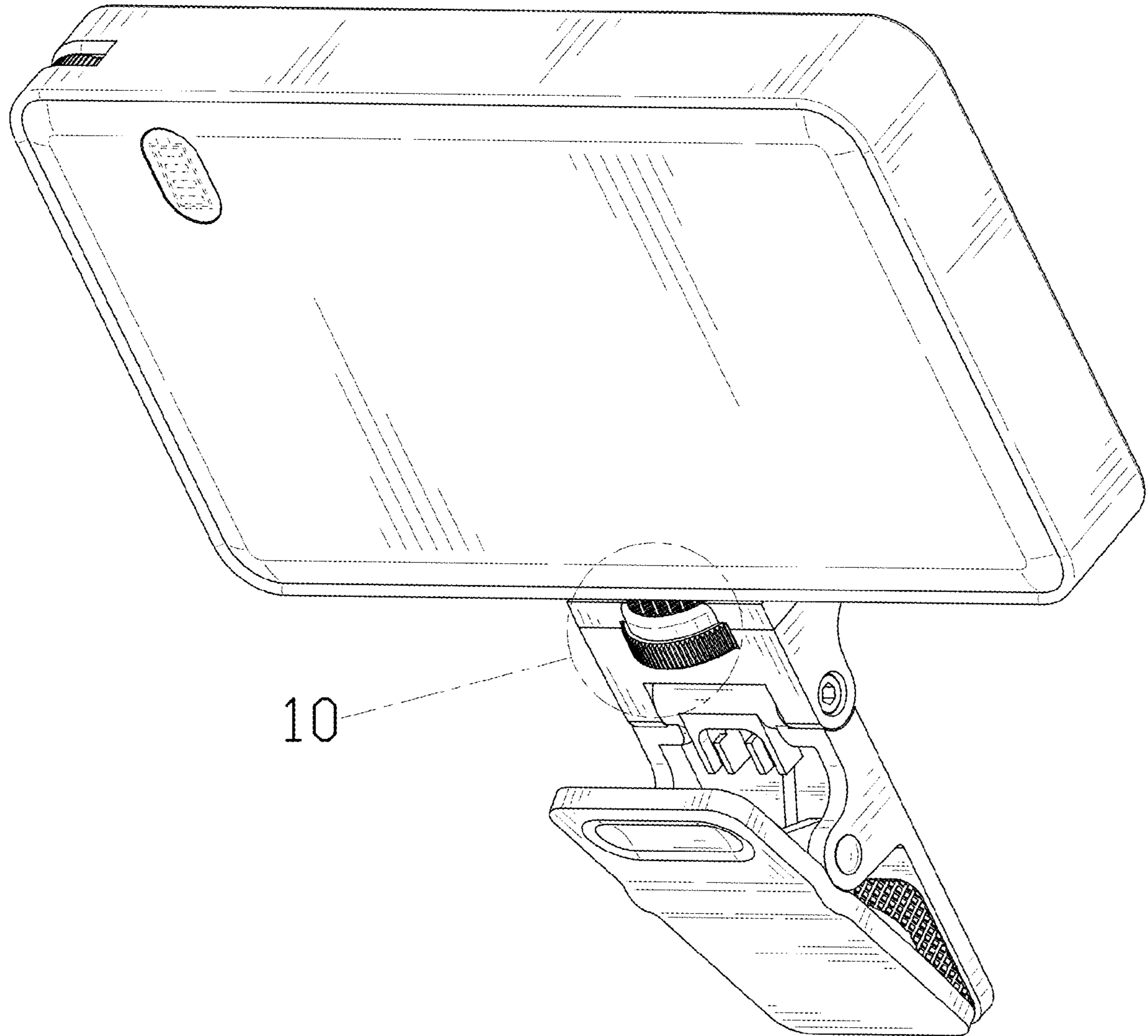


FIG. 1



10

FIG. 2

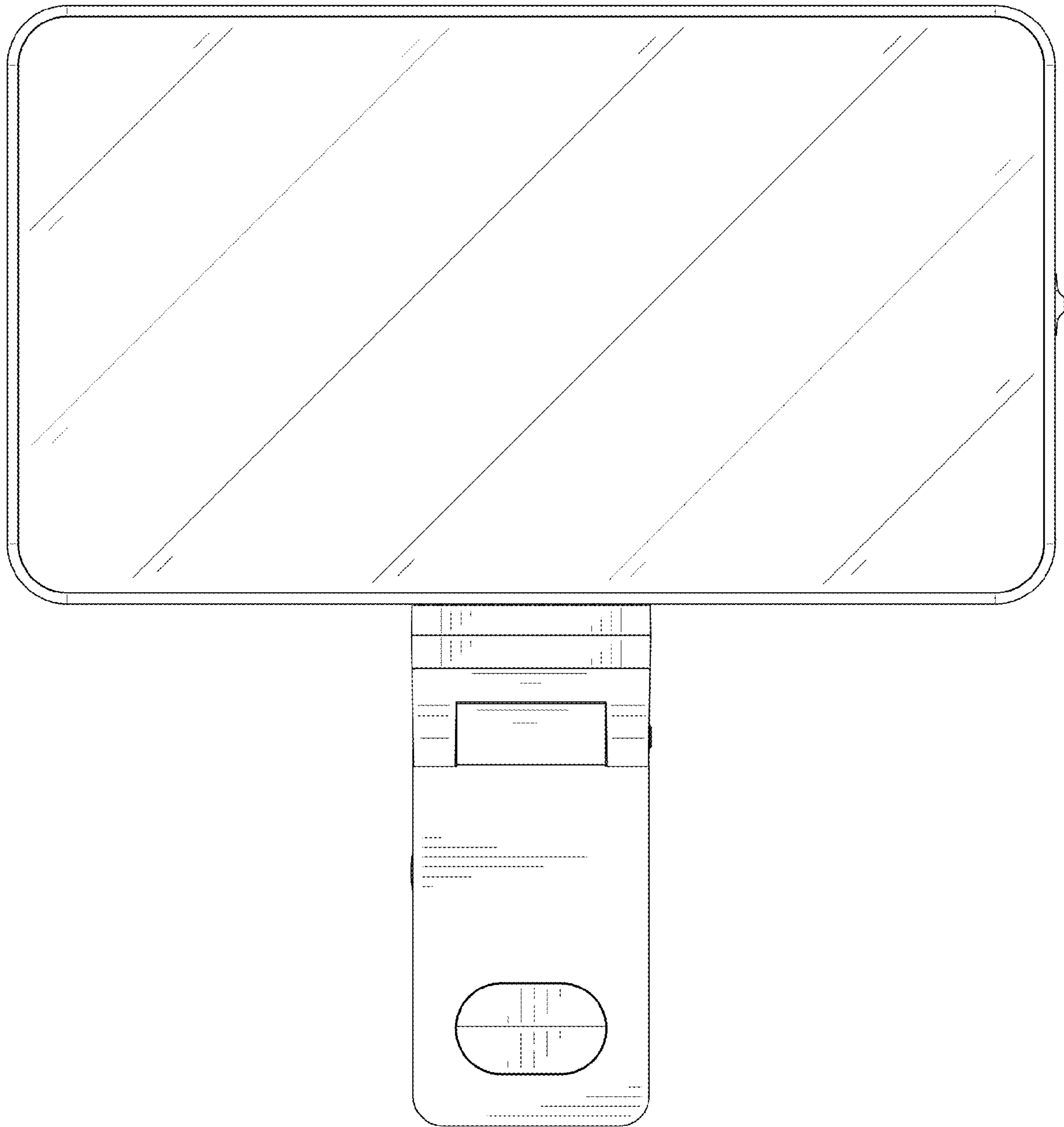


FIG. 3

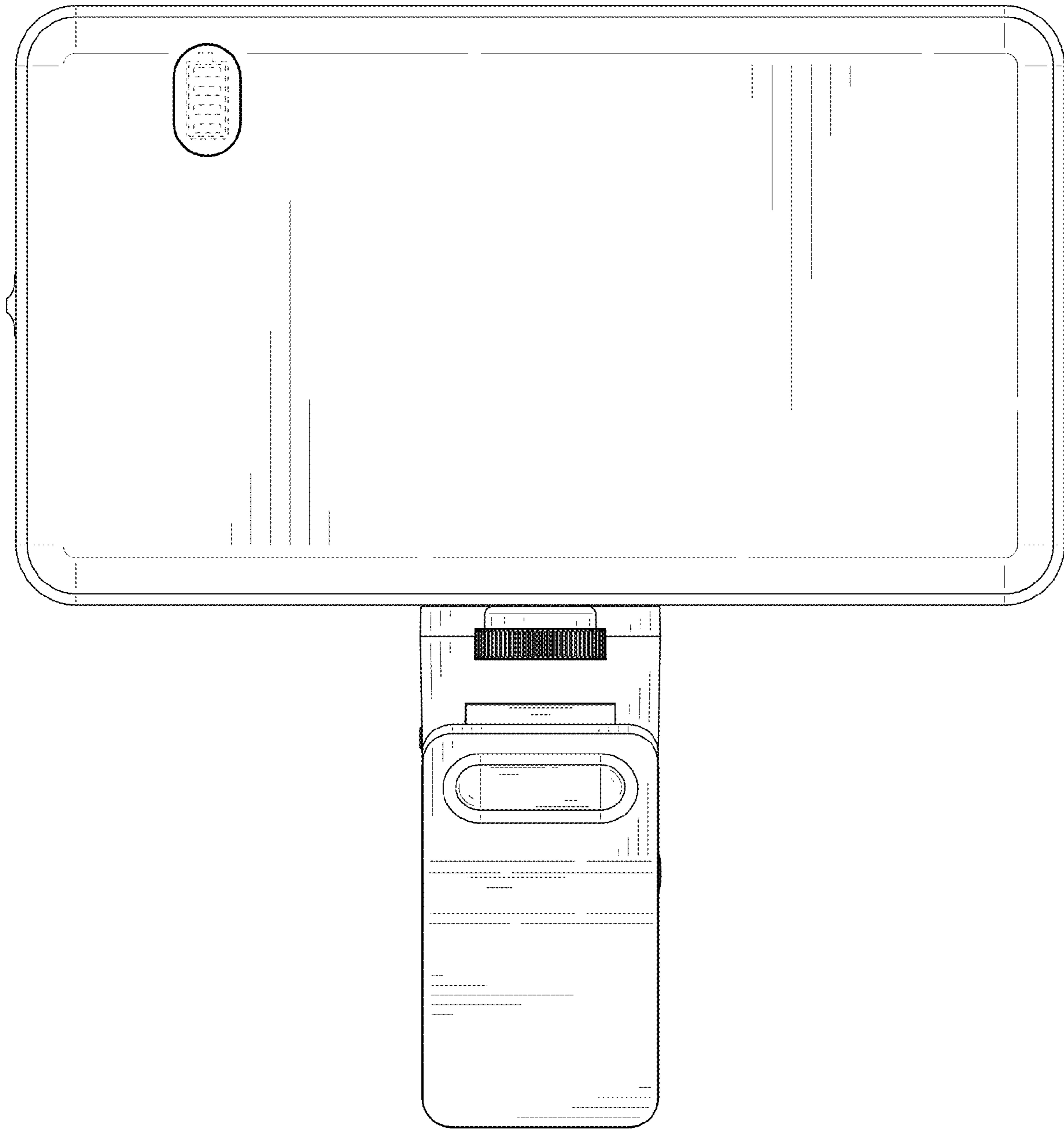


FIG. 4

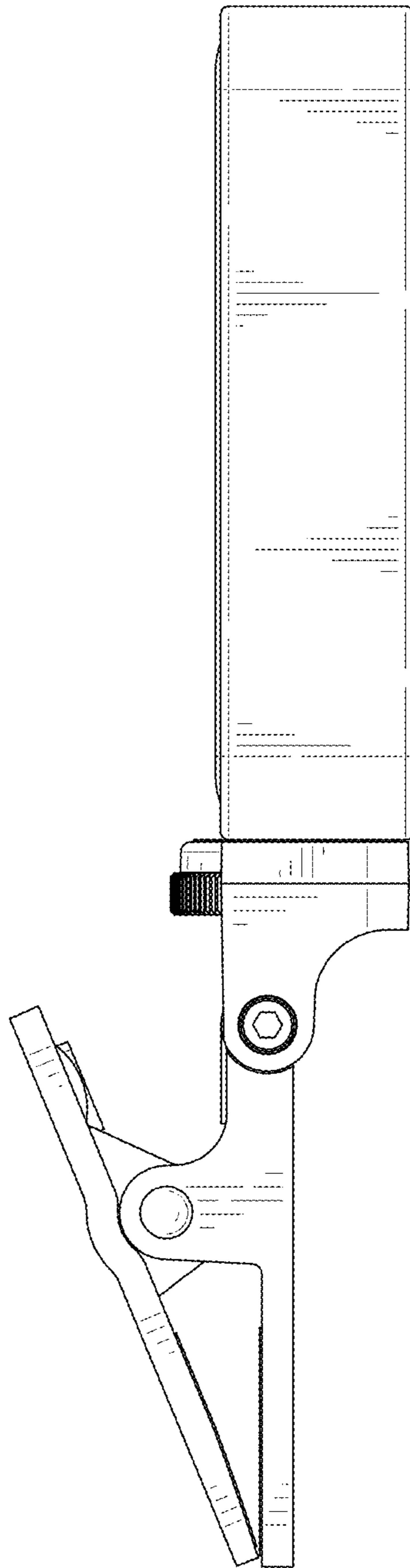


FIG. 5

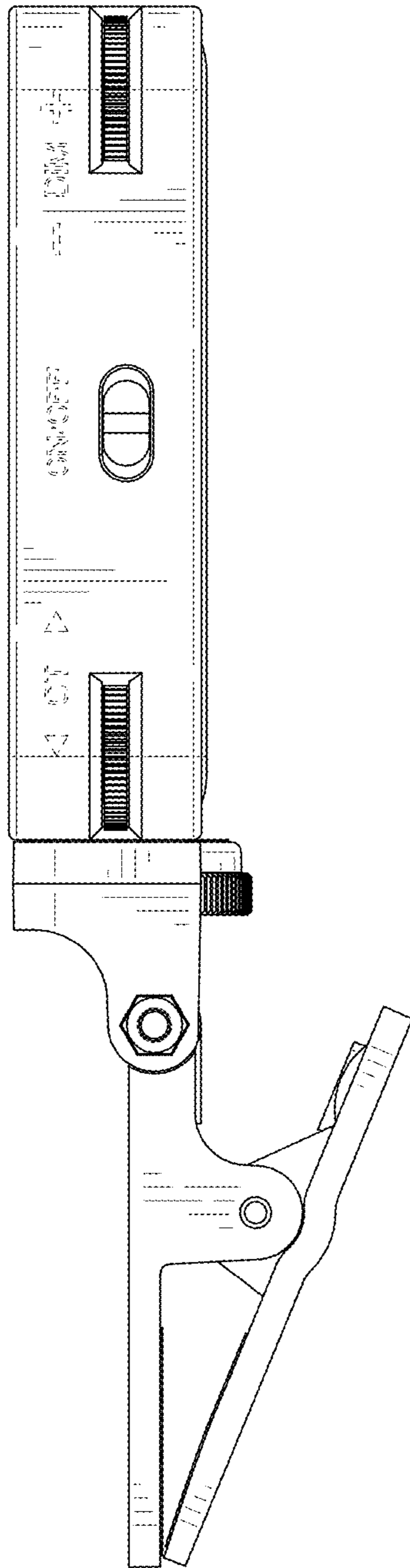


FIG. 6

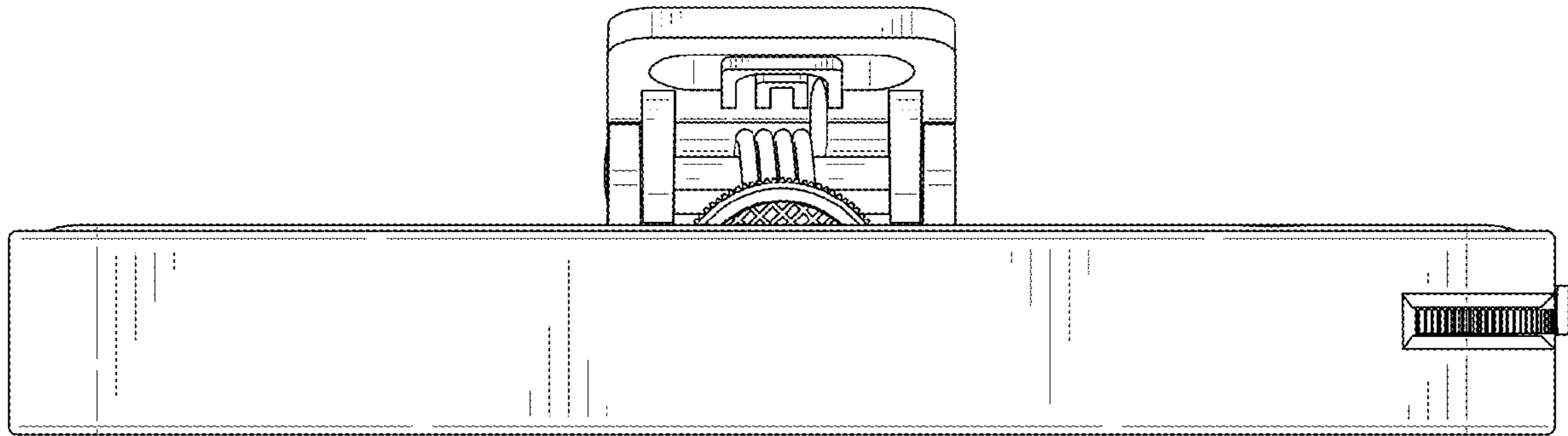


FIG. 7

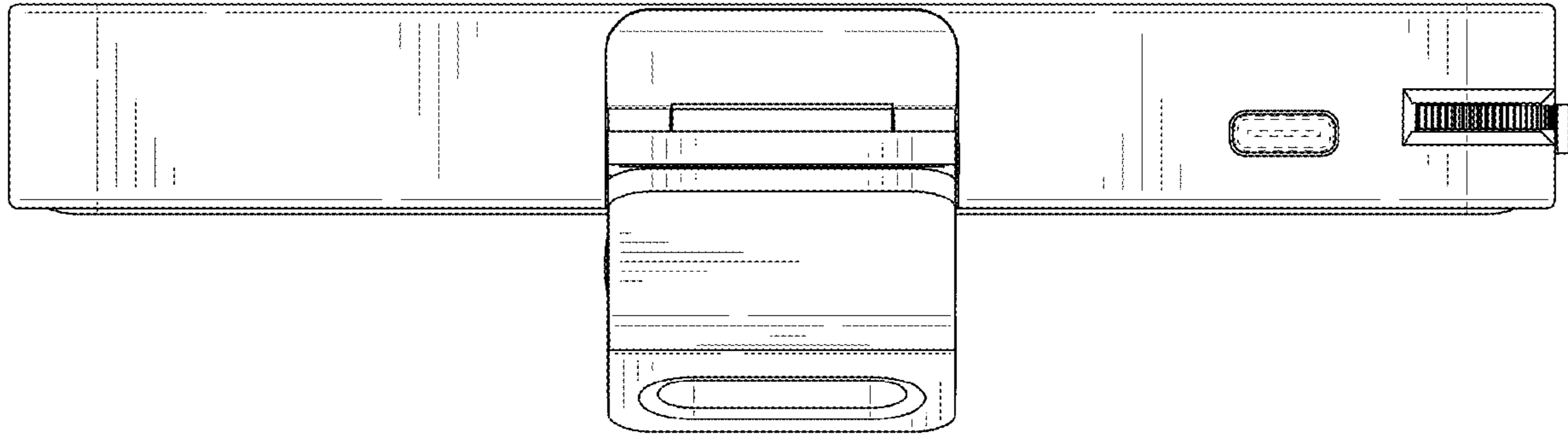


FIG. 8

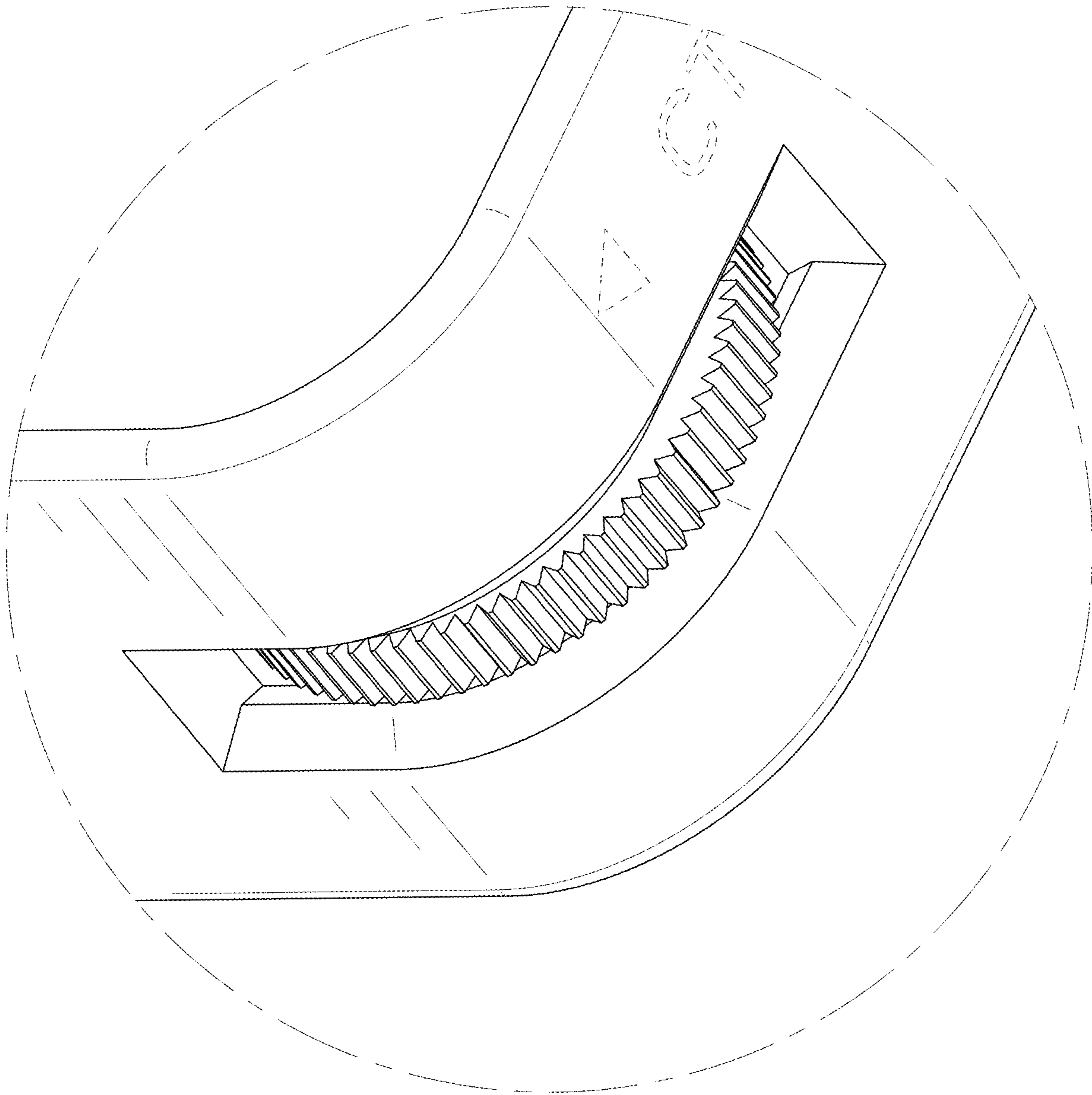


FIG. 9

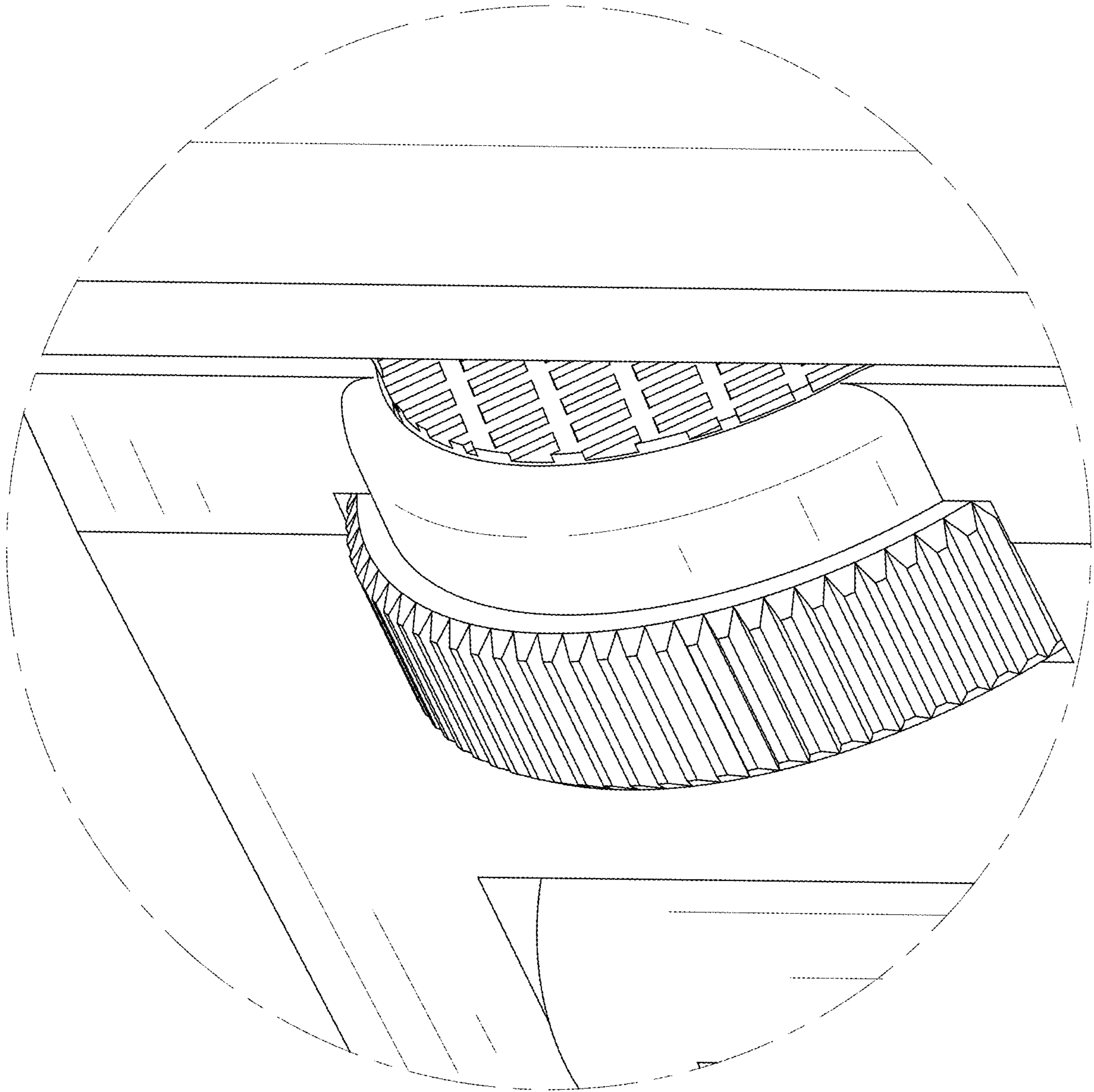


FIG. 10