



US00D945668S

(12) **United States Design Patent**
Gan

(10) **Patent No.:** **US D945,668 S**

(45) **Date of Patent:** **** Mar. 8, 2022**

(54) **SPRAY GUN LIGHT**

(71) Applicant: **Ningbo Euro Electrical Co., Ltd.**,
Yuyao (CN)

(72) Inventor: **Yongyu Gan**, Shanghai (CN)

(**) Term: **15 Years**

(21) Appl. No.: **29/758,228**

(22) Filed: **Nov. 13, 2020**

(30) **Foreign Application Priority Data**

May 15, 2020 (CN) 202030222808.0

(51) **LOC (13) Cl.** **26-02**

(52) **U.S. Cl.**
USPC **D26/51**

(58) **Field of Classification Search**
USPC D26/24, 37-51, 60, 113; D19/101, 105,
D19/192, 202
CPC B05B 15/00; B05B 5/025; B05B 5/043;
B05B 5/053; B05B 12/002; B05B 15/18;
B05B 7/02; B05B 7/0815; B05B 12/004;
B05B 7/2478; F21S 9/02; F21V 17/002;
F21V 23/003; F21V 23/04; F21V
33/0084; F21V 33/00; F21V 33/008;
F21L 14/00; Y10S 239/14
See application file for complete search history.

(56) **References Cited**

U.S. PATENT DOCUMENTS

6,022,121 A * 2/2000 Lin B25B 23/18
362/119
D754,900 S * 4/2016 Mumma D26/60
9,409,196 B1 * 8/2016 Lucas F21V 33/00
D785,094 S * 4/2017 Feit D19/202
D806,178 S * 12/2017 Chow D21/475
D818,076 S * 5/2018 Sheikh D22/117
D842,685 S * 3/2019 Ito D8/354
D874,900 S * 2/2020 Prieto D8/99

D898,245 S * 10/2020 Xu D26/28
D905,785 S * 12/2020 Cugini D16/237
D924,310 S * 7/2021 Zeng D16/237
2011/0063820 A1 * 3/2011 Wang B25B 23/18
362/120

OTHER PUBLICATIONS

Luma III Aurora Review. By Refinish Network. Dated Apr. 21, 2020. Found online [Nov. 29, 2021]. <https://www.youtube.com/watch?v=HV14Lph3zbM> (Year: 2020).*

(Continued)

Primary Examiner — Marissa J Cash
Assistant Examiner — William B Melliar

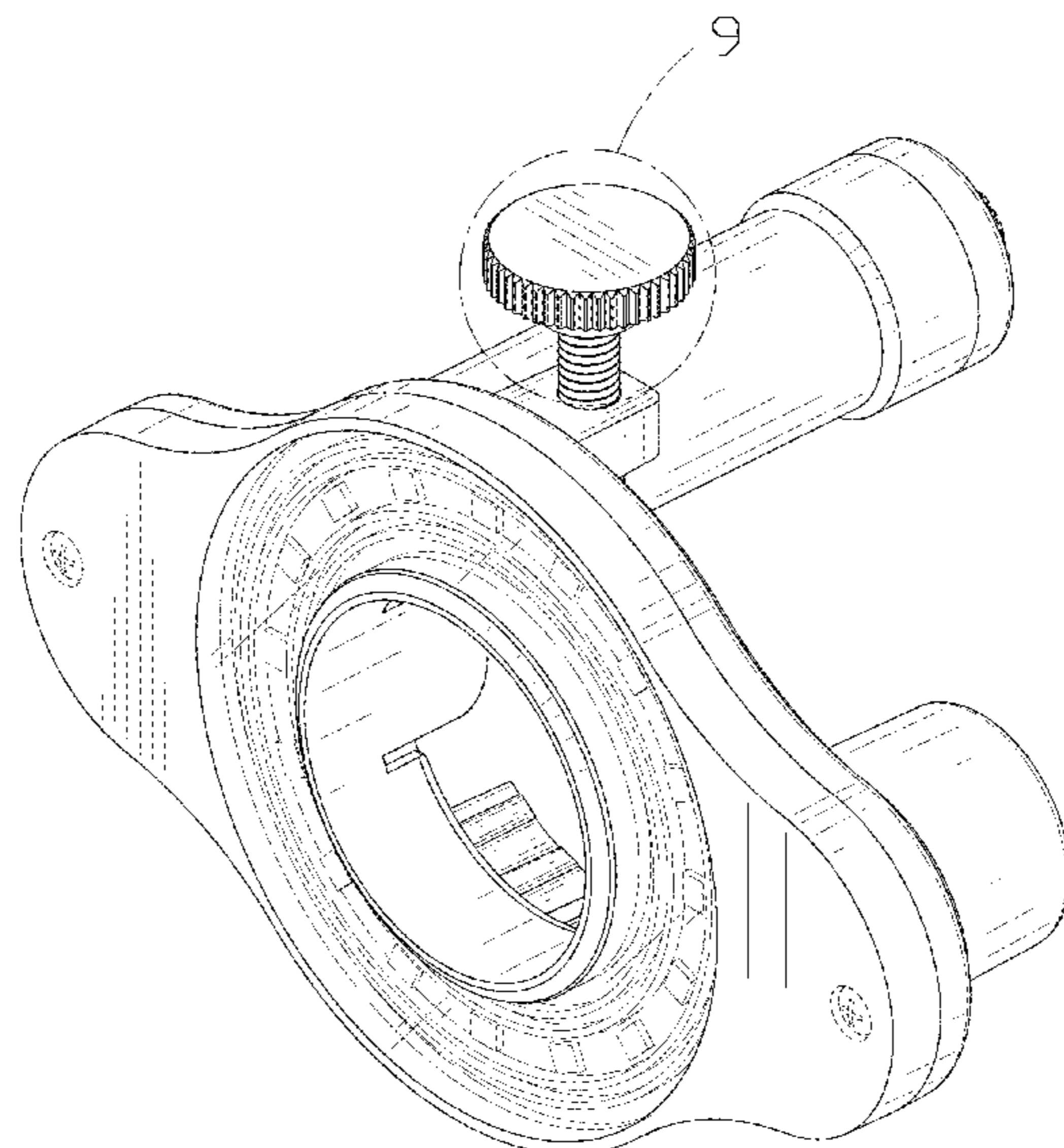
(57) **CLAIM**

The ornamental design for a spray gun light, as shown and described.

DESCRIPTION

FIG. 1 is a front and top perspective view of a spray gun light, showing my new design;
FIG. 2 is a rear and bottom perspective view thereof;
FIG. 3 is a right side elevational view thereof;
FIG. 4 is a left side elevational view thereof;
FIG. 5 is a front elevational view thereof;
FIG. 6 is a rear elevational view thereof;
FIG. 7 is a top plan view thereof;
FIG. 8 is a bottom plan view thereof;
FIG. 9 is an enlarged view of a portion indicated with numeric 9 in FIG. 1; and,
FIG. 10 is an enlarged view of a portion indicated with numeric 10 in FIG. 2.
The dash dot dash lines in FIGS. 1, 2, 9 and 10 are for the purpose of depicting the cut line of the enlarged view and form no part of the claim. The dashed broken lines in the figures illustrate portions of the article that form no part of the claimed design.

1 Claim, 10 Drawing Sheets



(56)

References Cited

OTHER PUBLICATIONS

Color Matching LED Light For Spray Gun. By Photon Technology Kunshan, Co., LTD. Dated Nov. 29, 2021. Found online [Nov. 29, 2021]. https://www.alibaba.com/product-detail/Light-Spray-Gun-Color-Matching-LED_1600258240677.html?spm=a2700.galleryofferlist.normal_offer.d_title.50fa7a80felVs2&s=p (Year: 2021).*

* cited by examiner

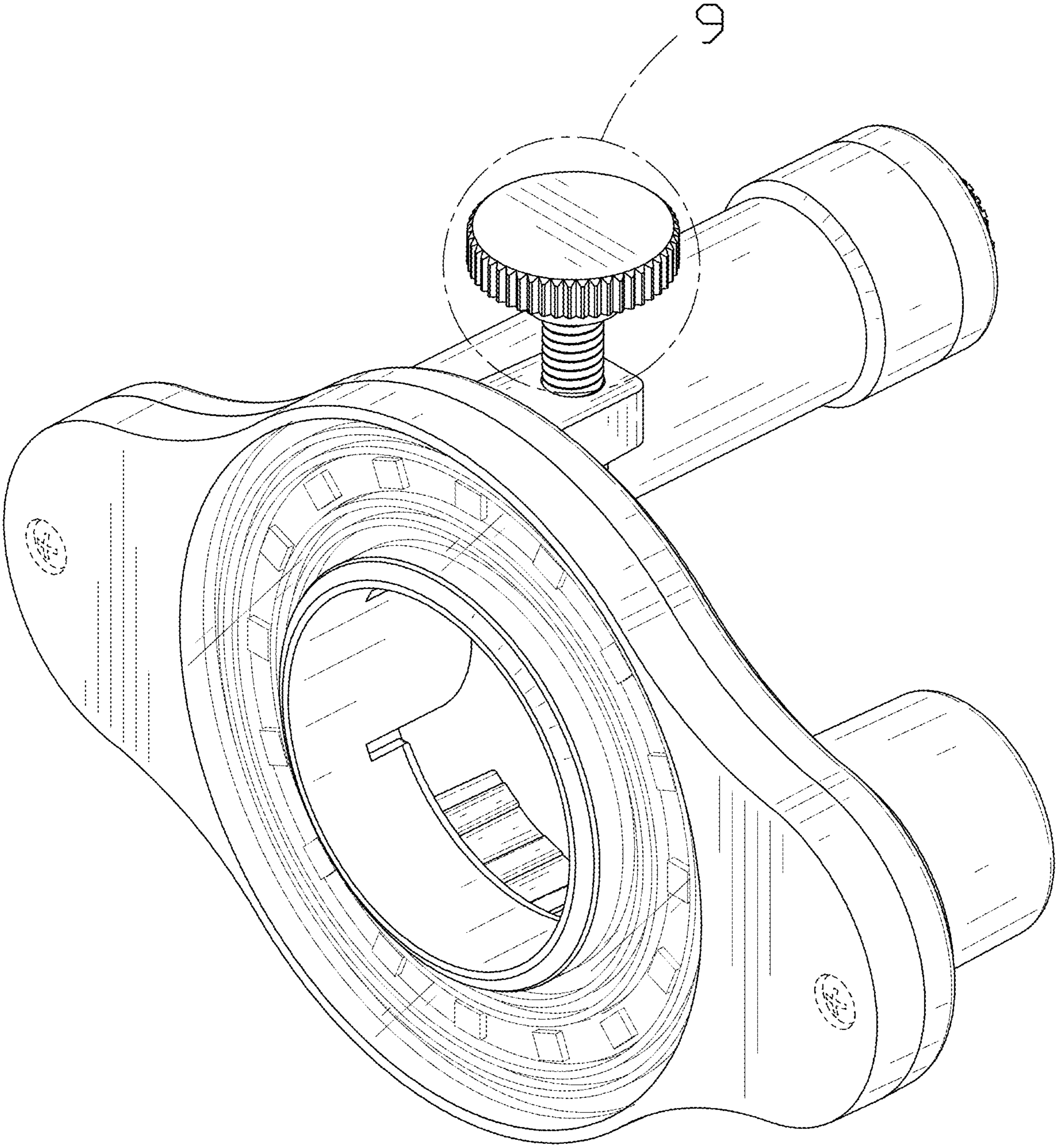


FIG. 1

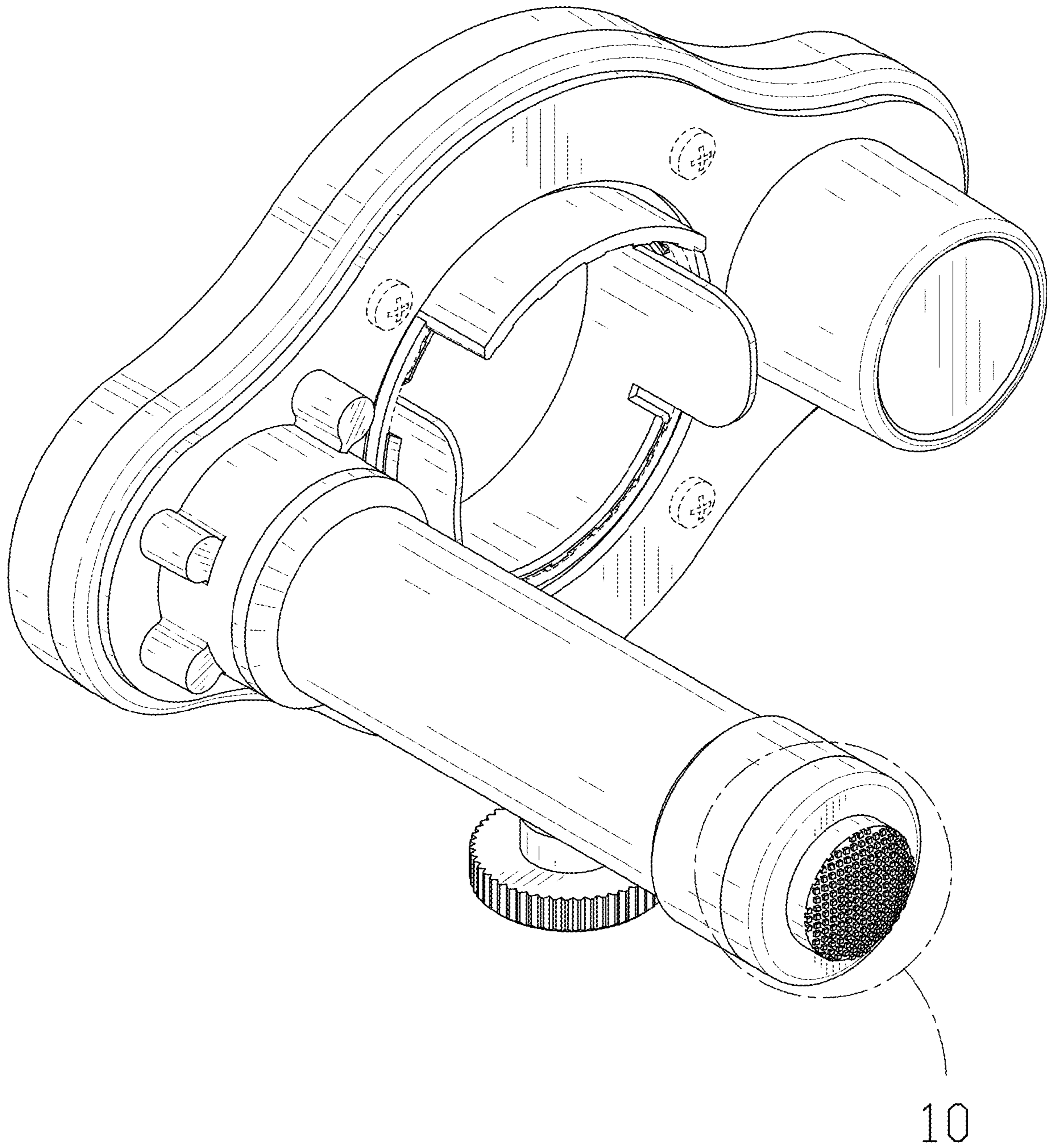


FIG. 2

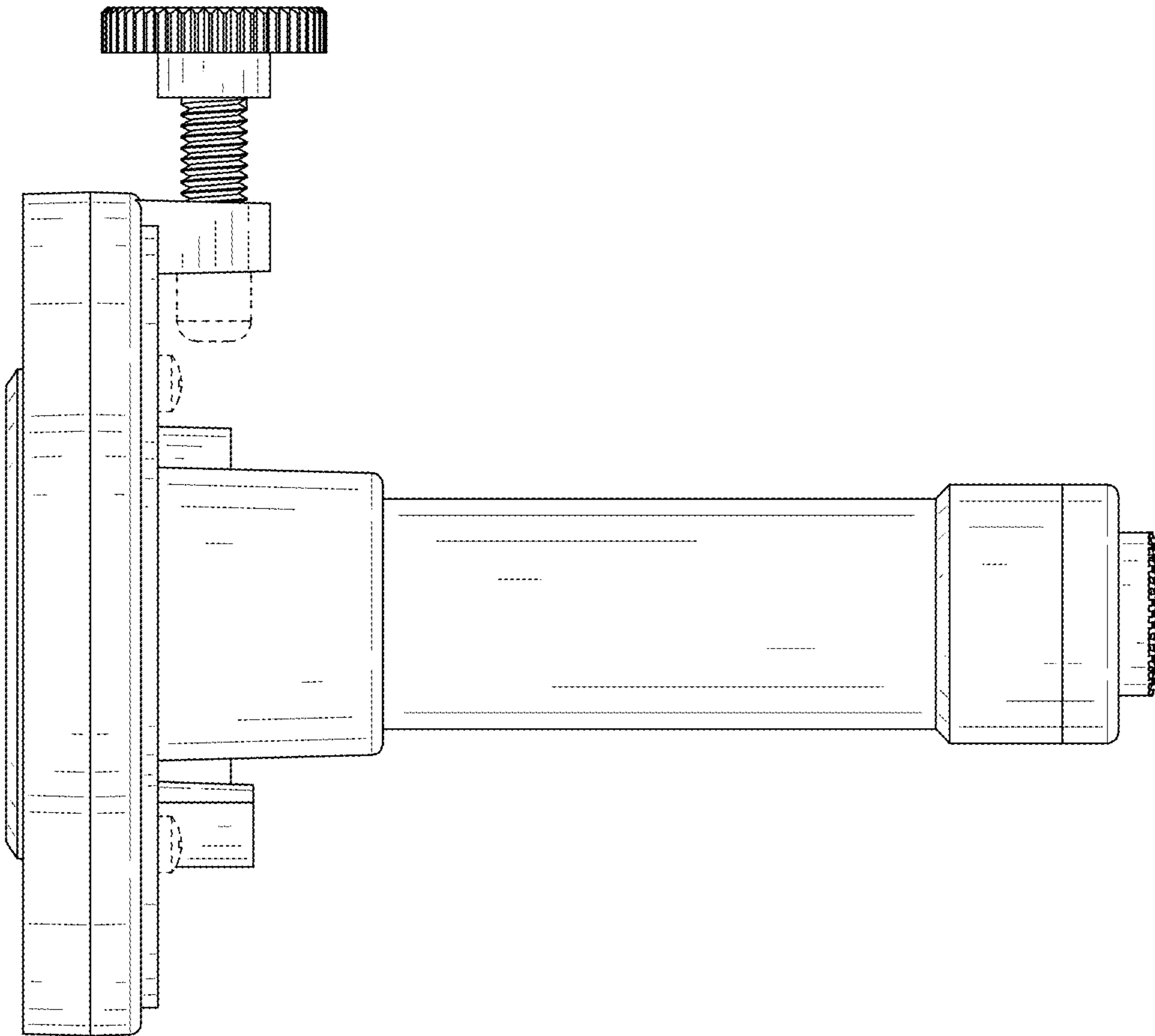


FIG. 3

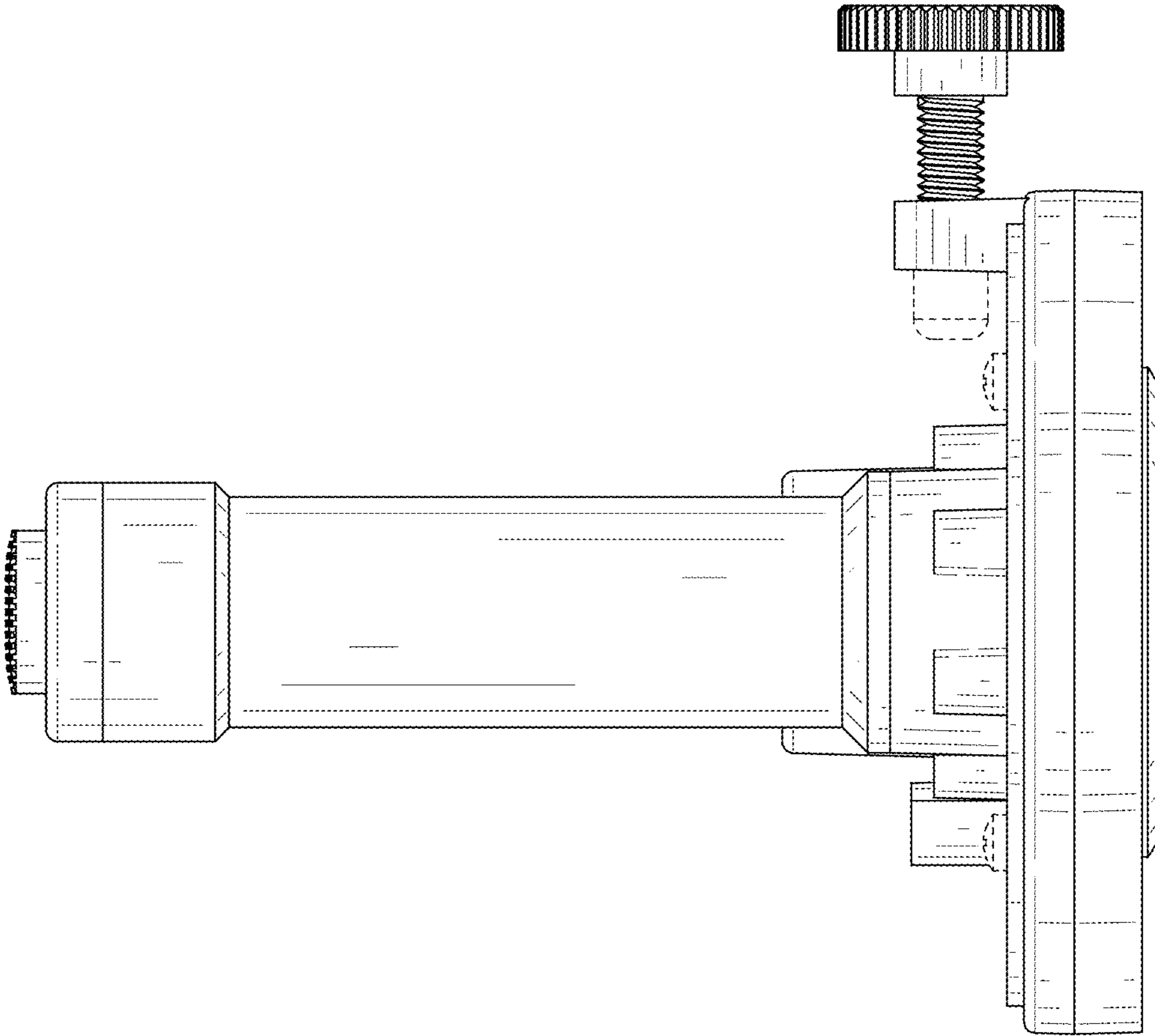


FIG. 4

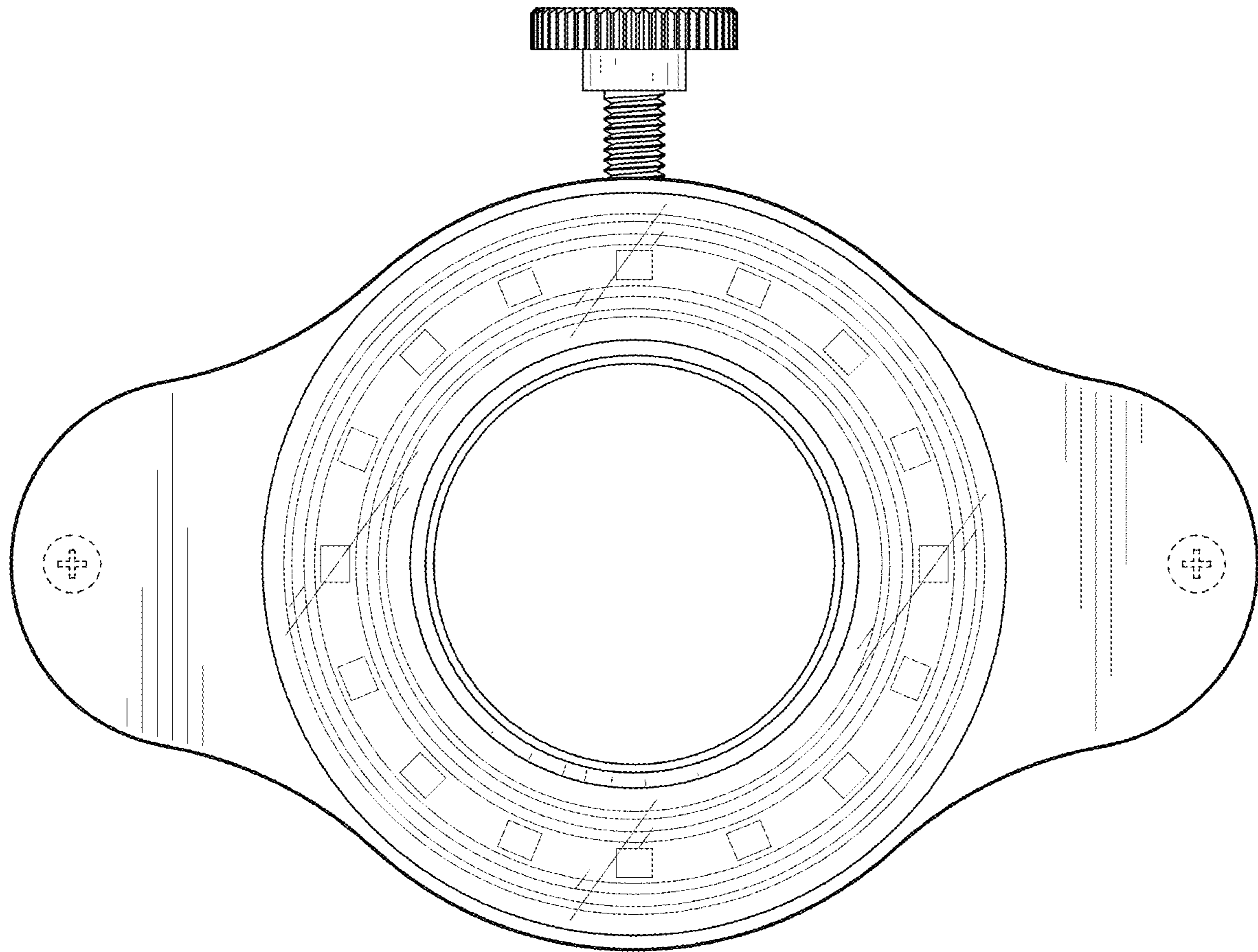


FIG. 5

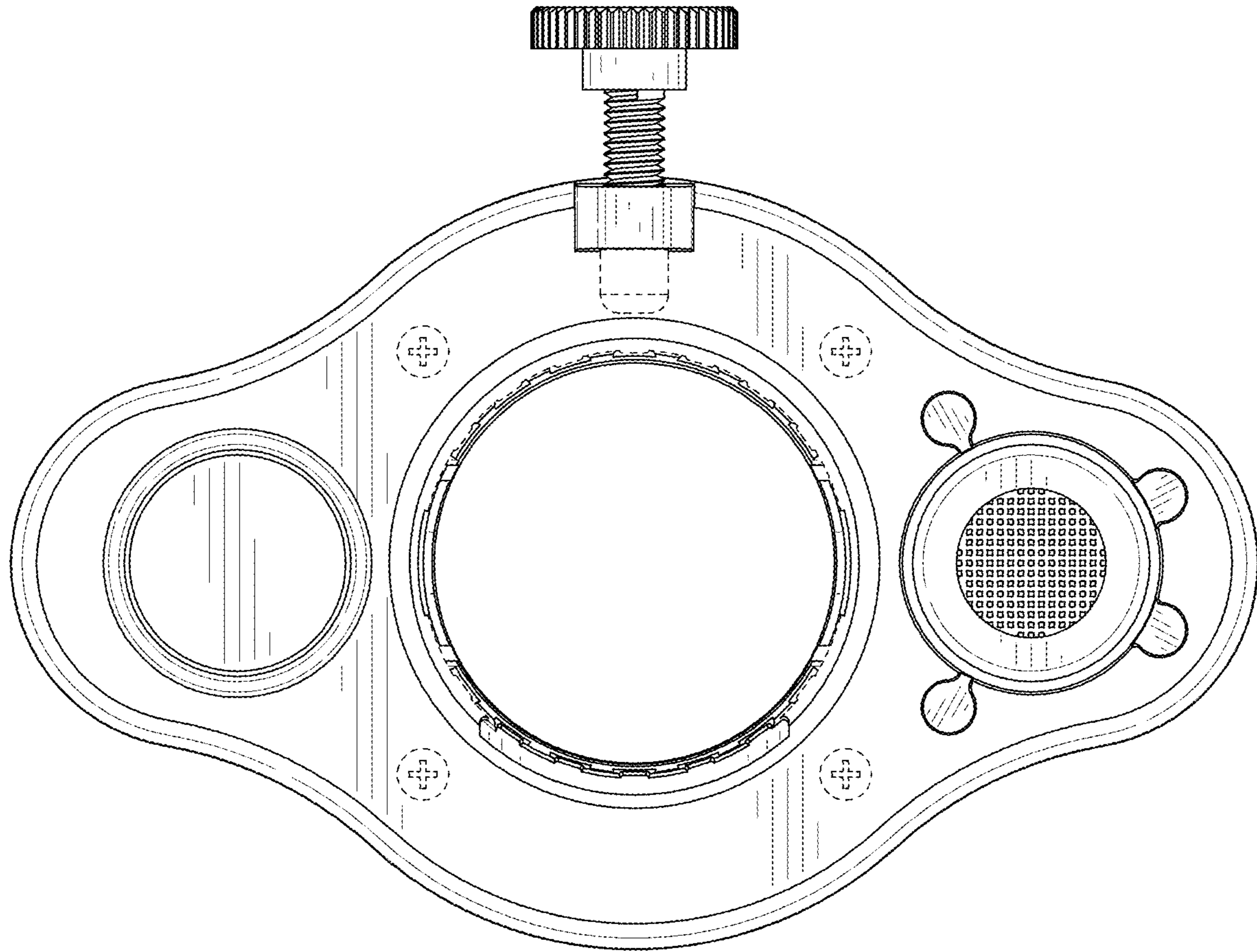


FIG. 6

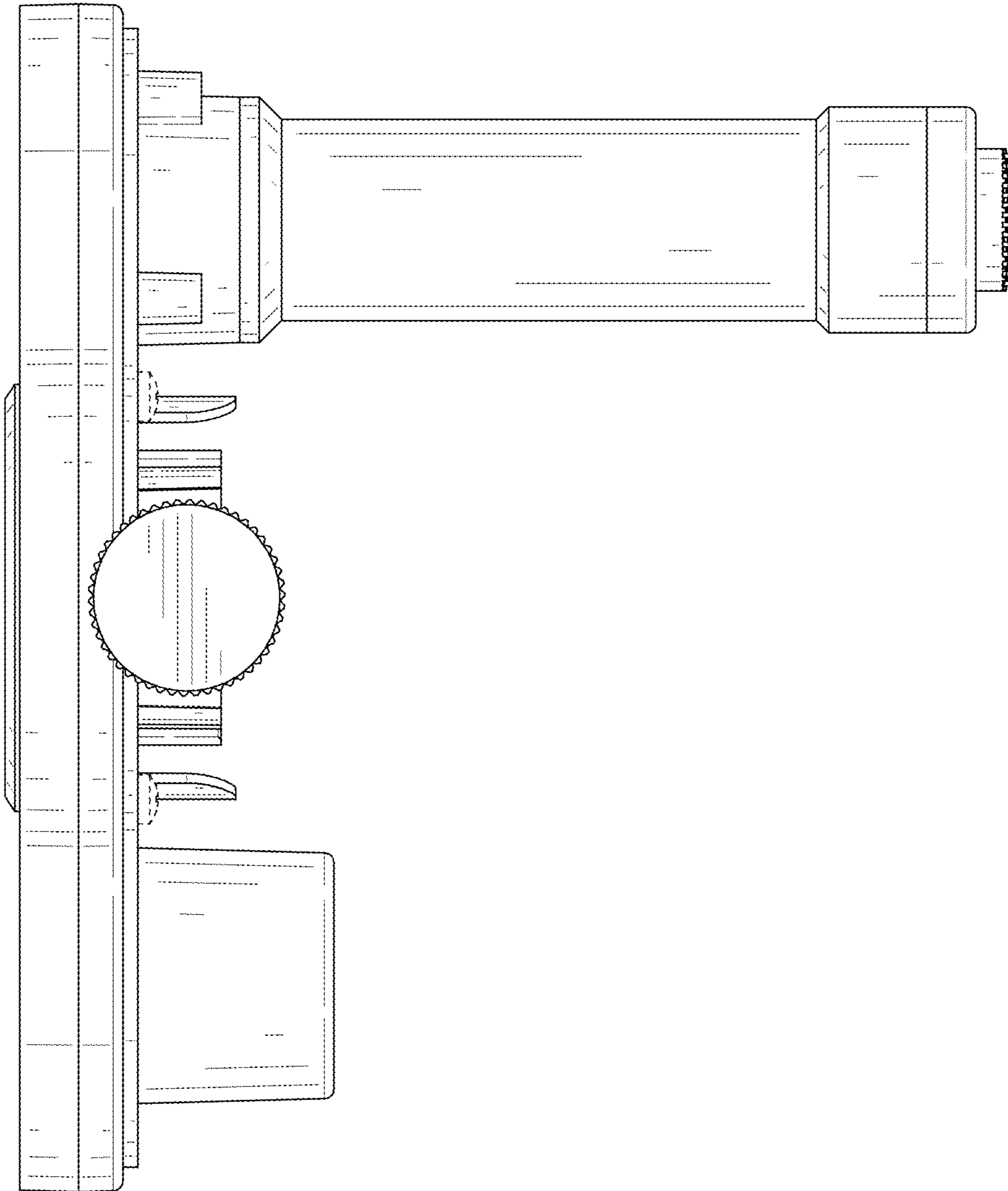


FIG. 7

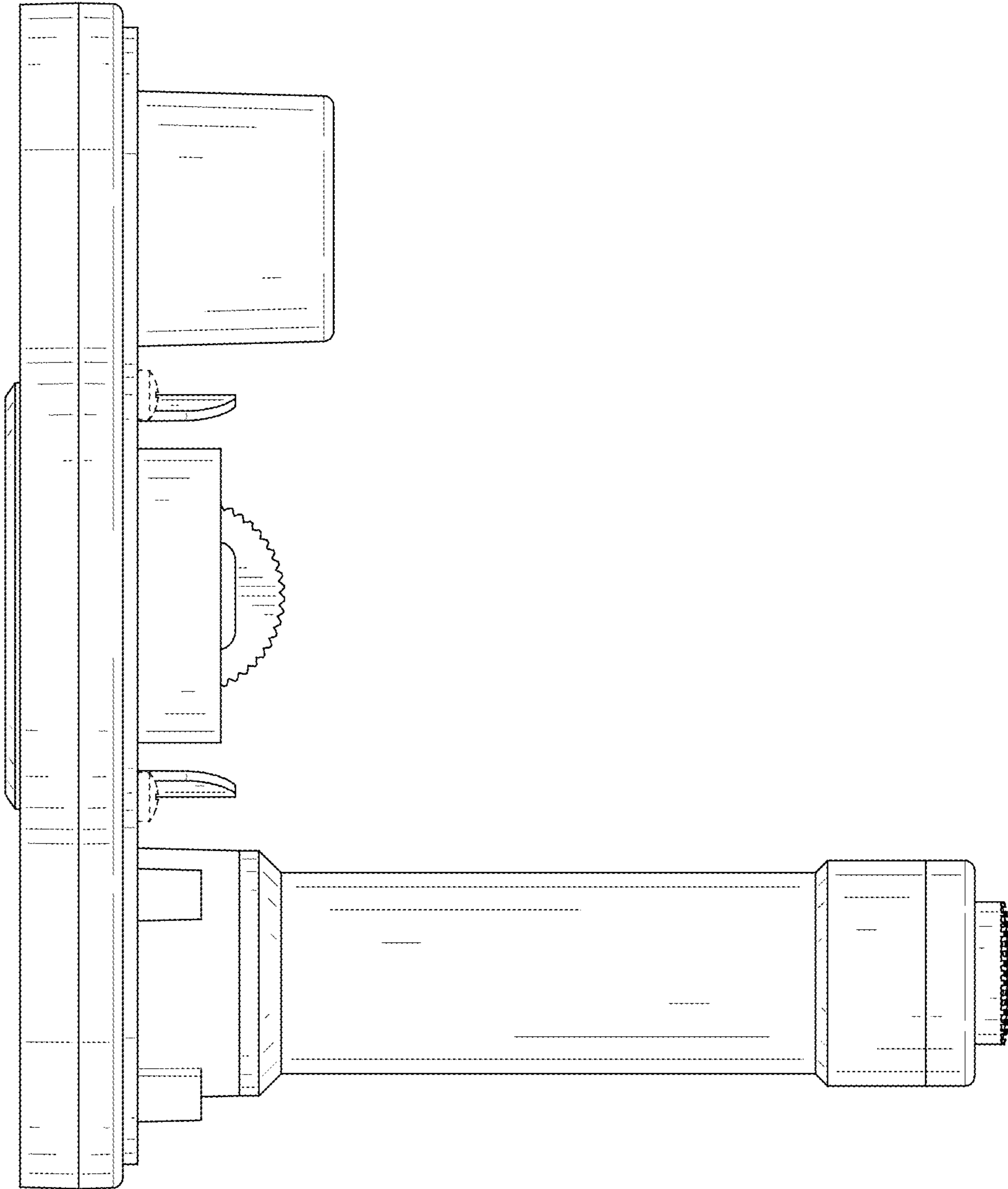


FIG. 8

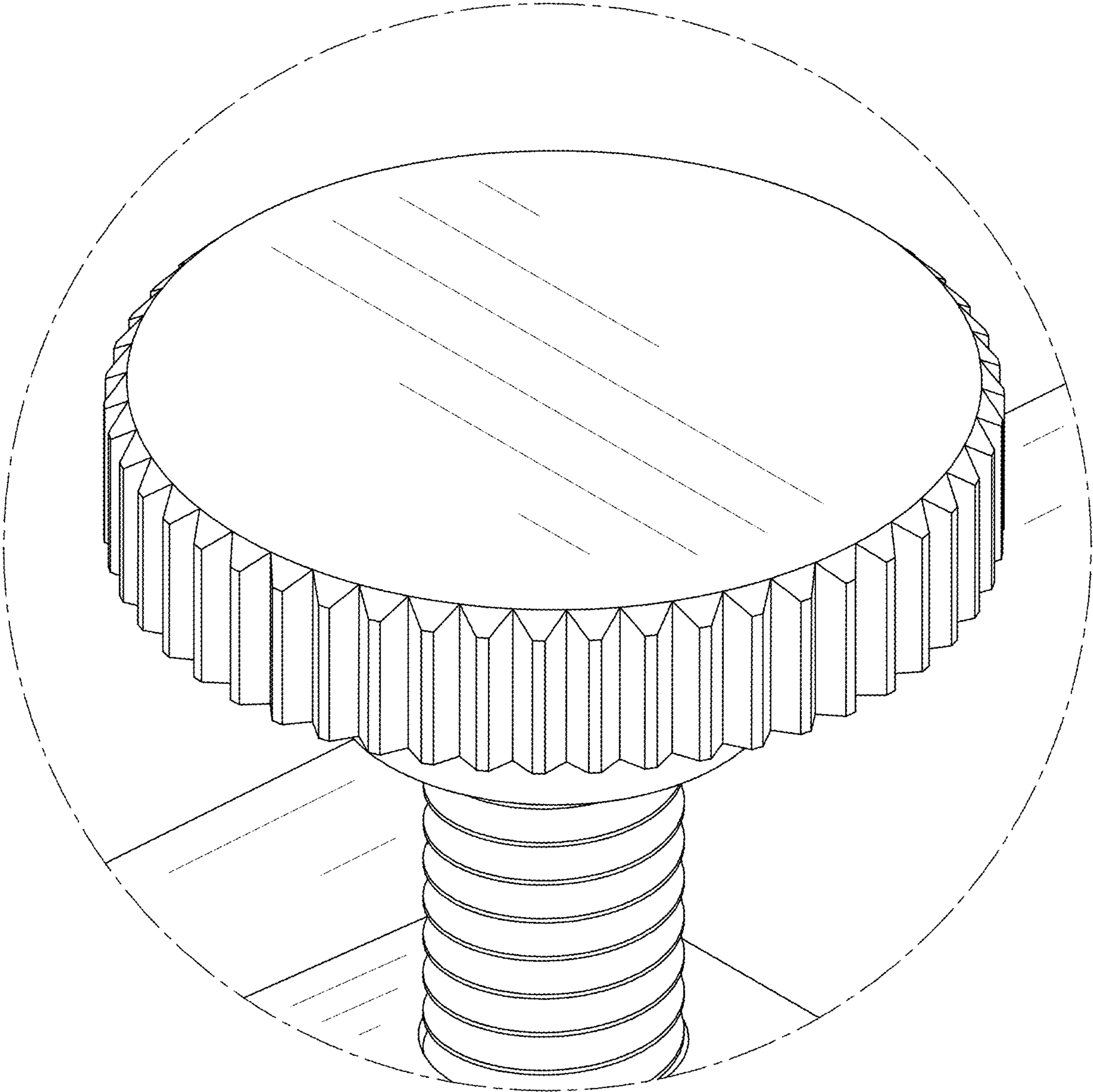


FIG. 9

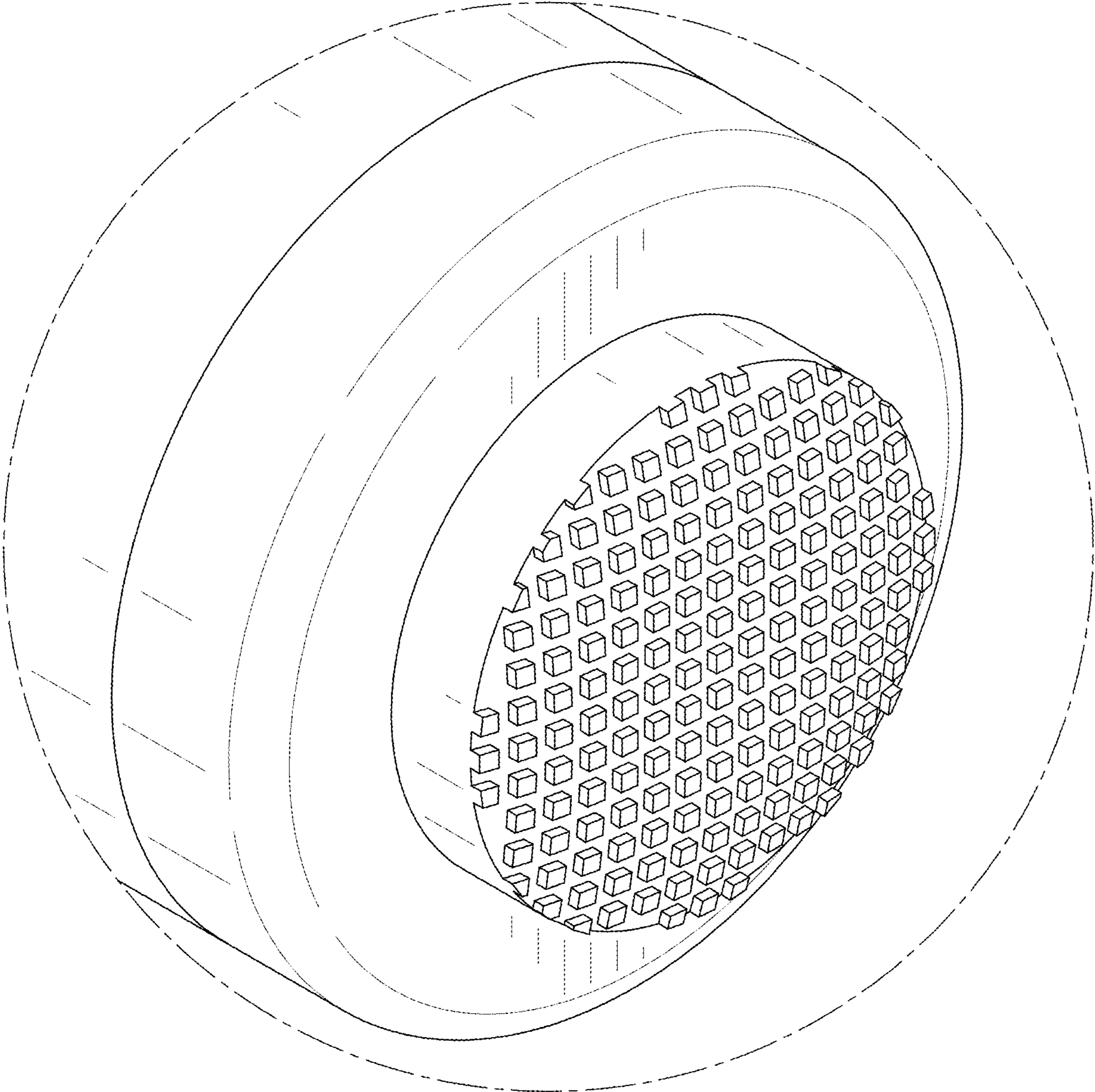


FIG. 10