



(12) **United States Design Patent** (10) **Patent No.:** **US D945,667 S**  
**Yang** (45) **Date of Patent:** **\*\* Mar. 8, 2022**

- (54) **SOLAR LIGHT SIGNAGE**
- (71) Applicant: **Wenqing Yang**, Shenzhen (CN)
- (72) Inventor: **Wenqing Yang**, Shenzhen (CN)
- (73) Assignee: **Shenzhen Feiya Electronics Co., Ltd.**,  
Shenzhen (CN)
- (\*\*) Term: **15 Years**
- (21) Appl. No.: **29/735,139**
- (22) Filed: **May 19, 2020**
- (51) **LOC (13) Cl.** ..... **26-05**
- (52) **U.S. Cl.**  
USPC ..... **D26/51; D13/102**
- (58) **Field of Classification Search**  
USPC ..... D26/24, 37-52, 60, 67, 72, 113-114,  
D26/118-120, 138; D13/102  
CPC ..... G09F 13/04; G09F 13/02; G09F 13/00;  
G09F 15/0037; G09F 13/049; F21S  
9/037; F21S 9/035; F21S 9/03; F21S  
9/04; H02J 7/35; Y02E 10/50  
See application file for complete search history.

(56) **References Cited**

U.S. PATENT DOCUMENTS

D288,956 S *	3/1987	Wadleigh .....	D13/102
D533,784 S *	12/2006	Bakic .....	D9/529
D545,758 S *	7/2007	Kuan .....	D13/102
D728,839 S *	5/2015	McGowan .....	D26/51
D780,967 S *	3/2017	Geddes .....	D26/60
D825,450 S *	8/2018	Felder .....	D13/102
D866,827 S *	11/2019	To .....	D26/38
D918,435 S *	5/2021	Liang .....	D26/24
D933,860 S *	10/2021	Burks .....	D26/24

2004/0170013 A1*	9/2004	Smythe .....	G09F 9/33 362/184
2005/0076551 A1*	4/2005	Silverstone .....	G09F 13/04 40/568
2017/0301268 A1*	10/2017	Laforce .....	G09F 13/18

FOREIGN PATENT DOCUMENTS

CN	303521577	* 12/2015
----	-----------	-----------

OTHER PUBLICATIONS

Solar Light Outdoor Garden Motion Sensor Wall Lamp. By Ousam Led. Dated Sep. 3, 2021. Found online [Dec. 27, 2021]. <https://www.amazon.com/Outdoor-Security-Lighting-Waterproof-Natural/dp/B09FDTVS84> (Year: 2021).\*

\* cited by examiner

*Primary Examiner* — Marissa J Cash  
*Assistant Examiner* — William B Melliar

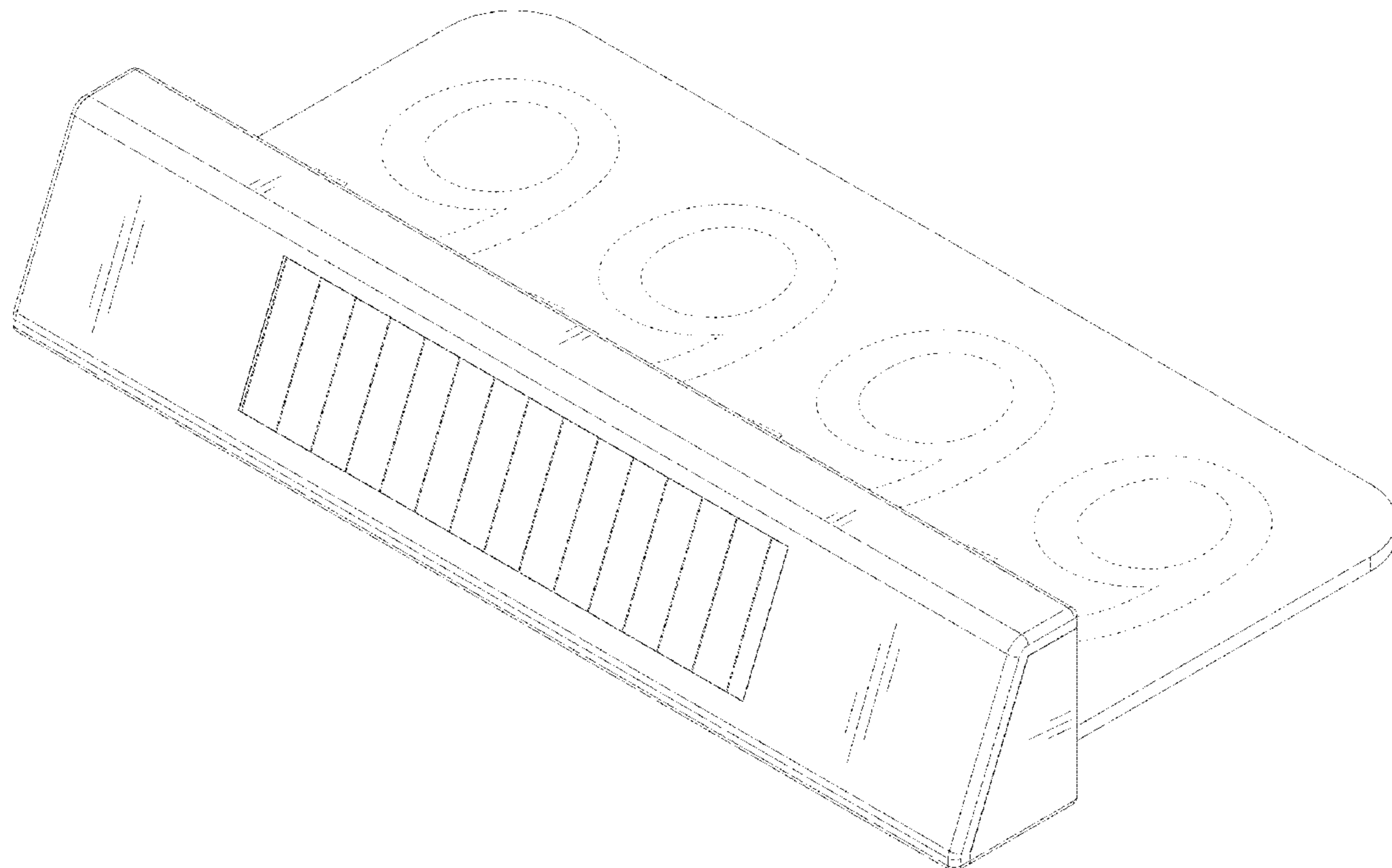
(57) **CLAIM**

The ornamental design for a solar light signage, as shown and described.

**DESCRIPTION**

FIG. 1 is a front perspective view of the solar light signage showing my new design;  
 FIG. 2 is a rear perspective view thereof;  
 FIG. 3 is a front elevational view thereof;  
 FIG. 4 is a rear elevational view thereof;  
 FIG. 5 is a left side elevational view thereof;  
 FIG. 6 is a right side elevational view thereof;  
 FIG. 7 is a top plan view thereof; and,  
 FIG. 8 is a bottom plan view thereof.  
 The broken lines in the figures depict the portions of the solar light signage that form no part of the claimed design.

**1 Claim, 8 Drawing Sheets**



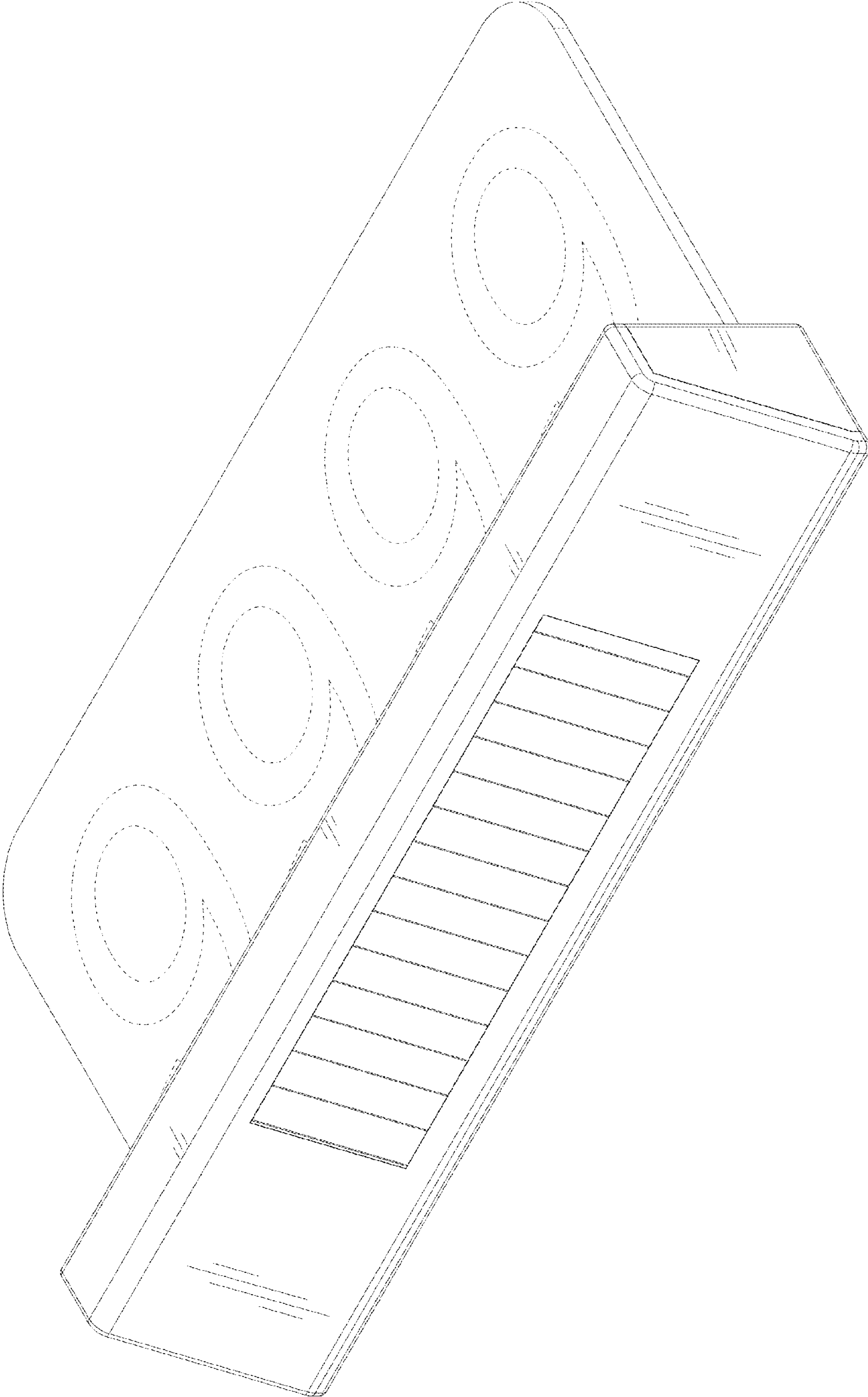


FIG. 1

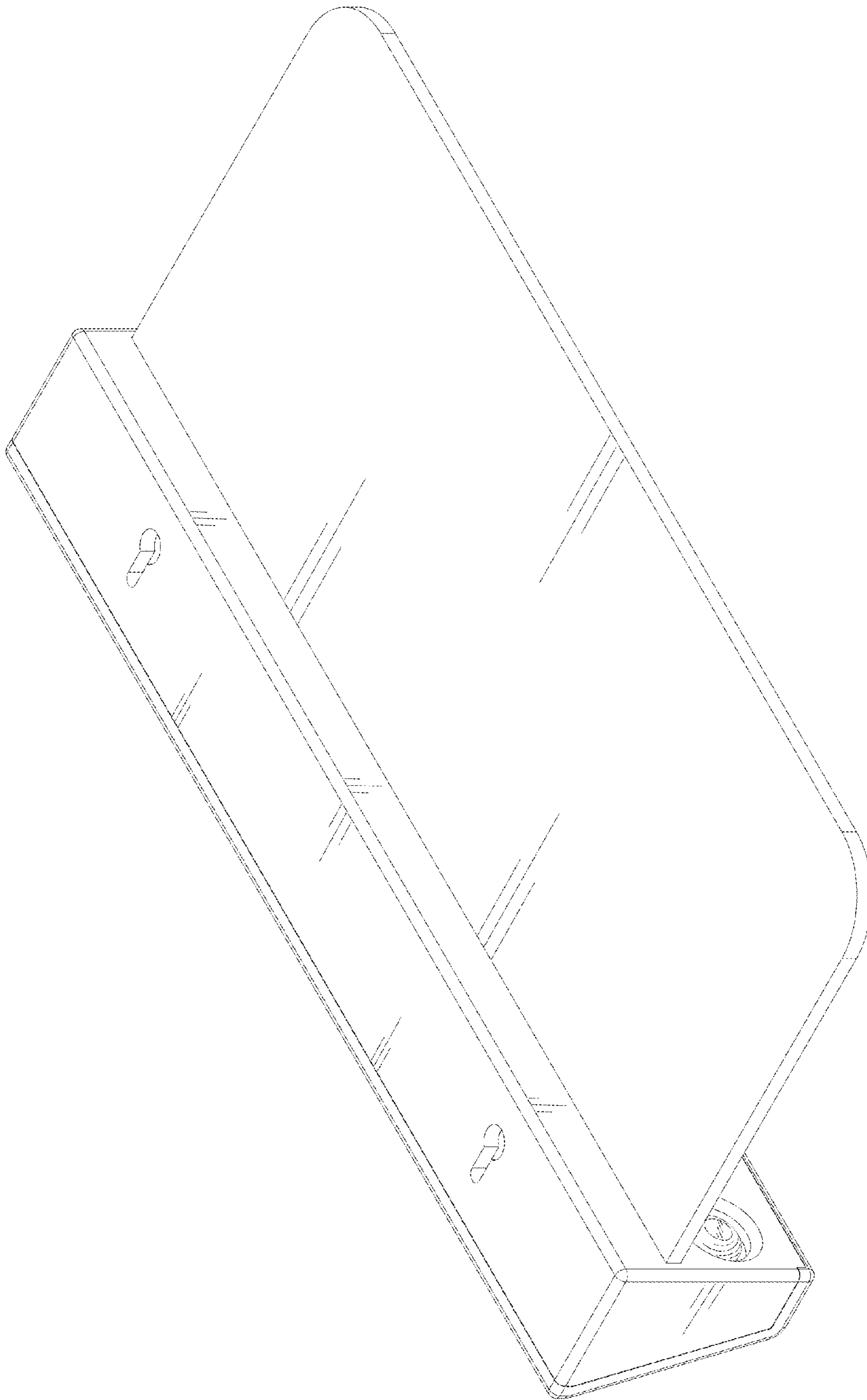


FIG. 2

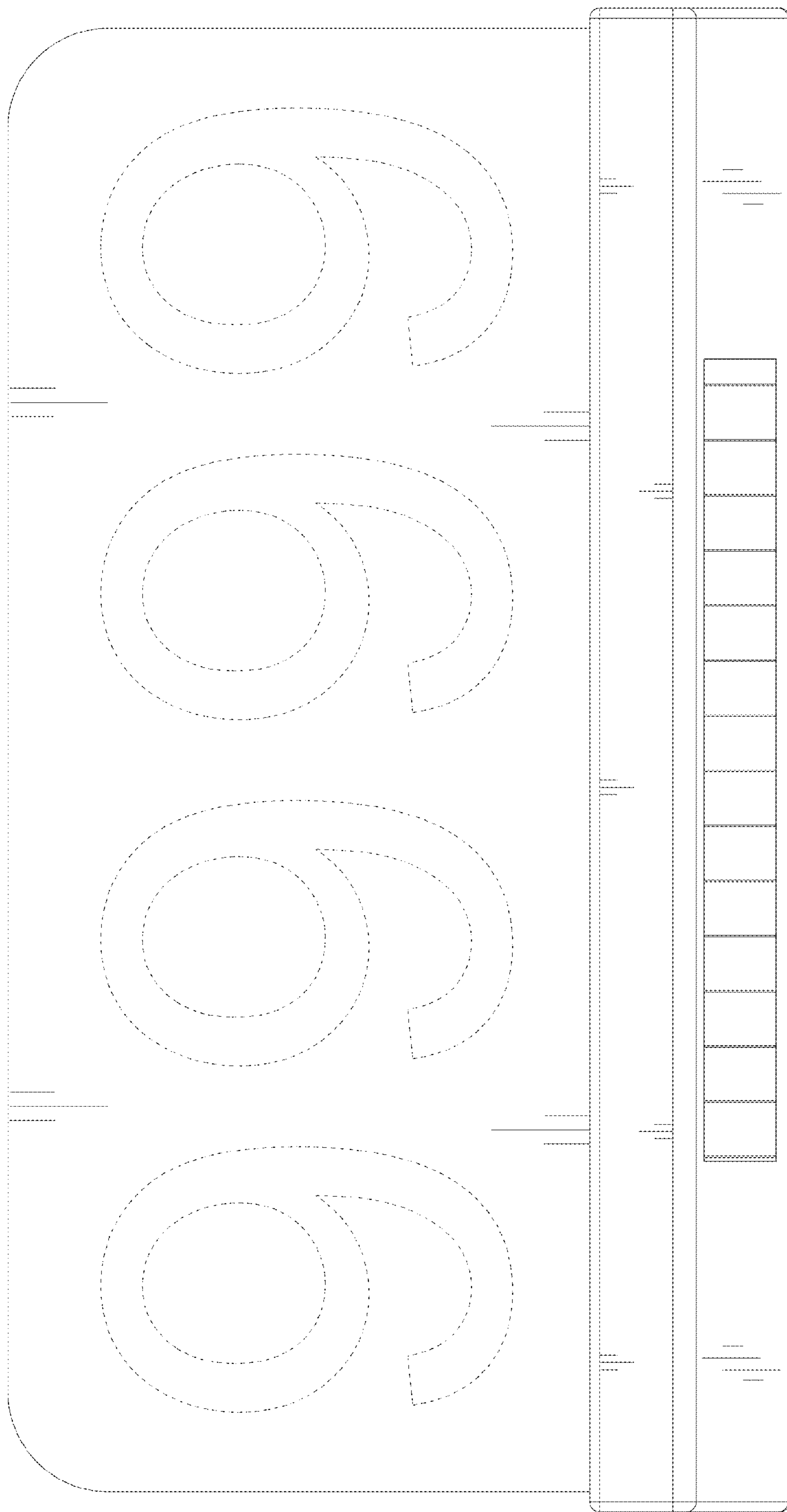


FIG. 3

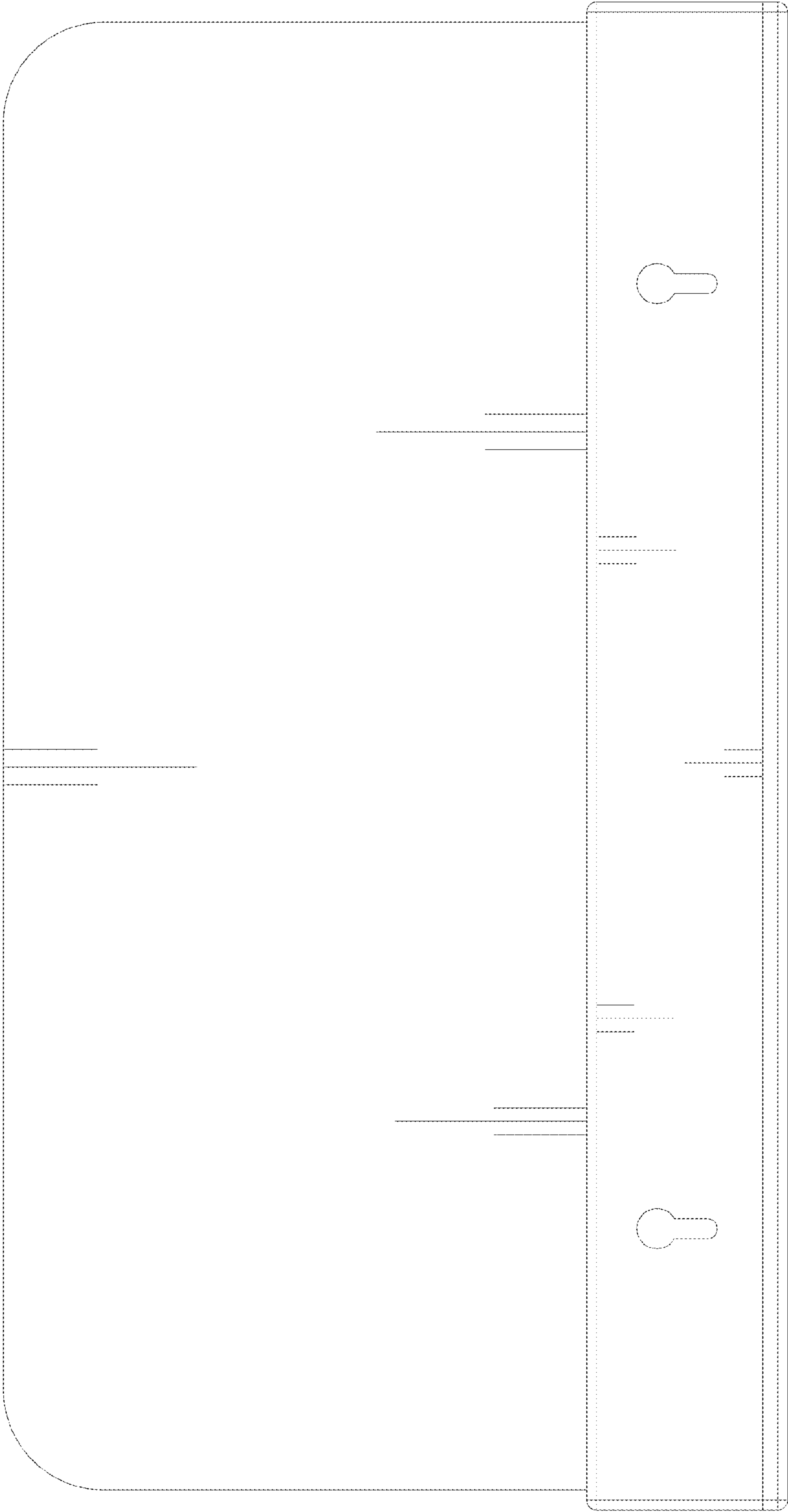


FIG. 4

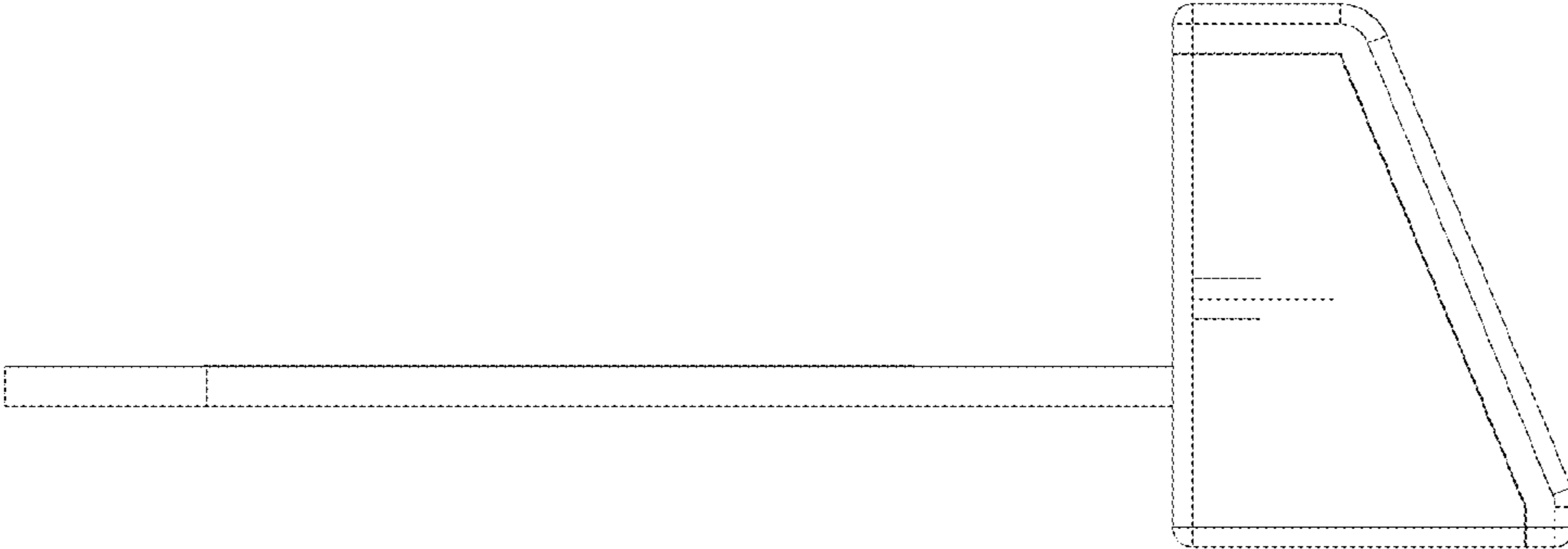


FIG. 5

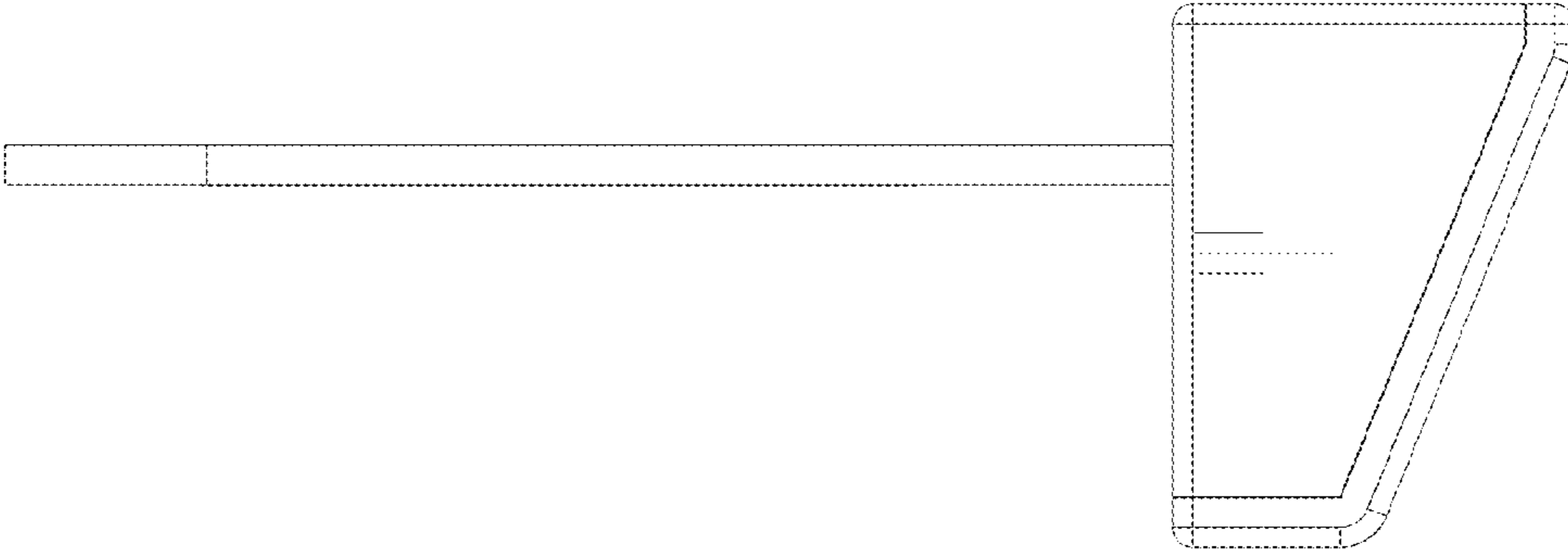


FIG. 6

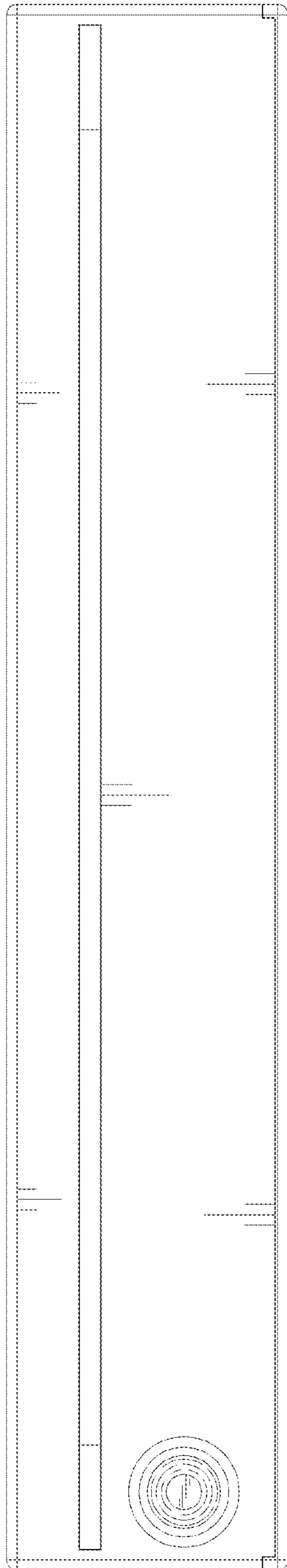


FIG. 7



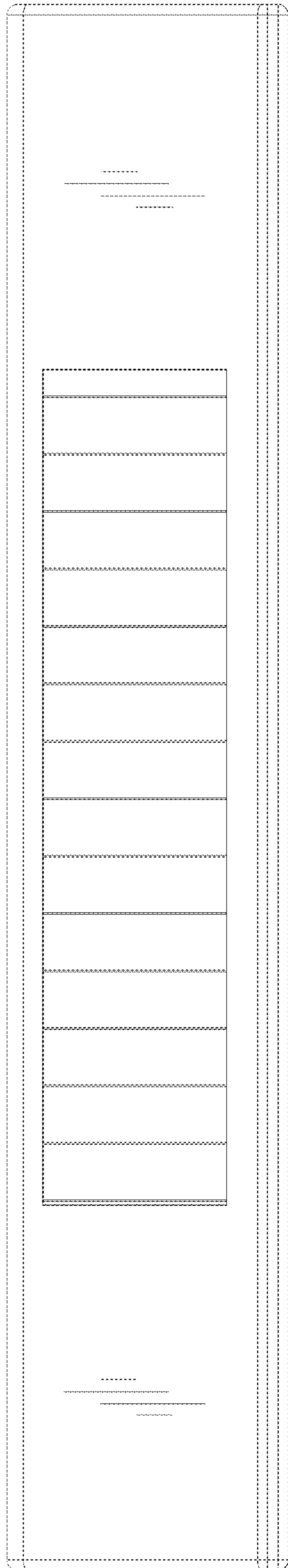


FIG. 8