



US00D945661S

(12) **United States Design Patent**
Gittin, Jr. et al.

(10) **Patent No.:** **US D945,661 S**

(45) **Date of Patent:** **** *Mar. 8, 2022**

(54) **PAIR OF CUSTOM TRUCK GRILLE LIGHTS FOR A VEHICLE**

D706,967 S * 6/2014 Lai D26/35
D747,822 S * 1/2016 Tsai D26/28
D756,550 S * 5/2016 Sedler D26/28

(Continued)

(71) Applicant: **Vaughn Gittin, Jr.**, Huntersville, NC (US)

(72) Inventors: **Vaughn Gittin, Jr.**, Huntersville, NC (US); **Lindsay Ross**, Charlotte, NC (US); **Keith Charvonja**, Charlotte, NC (US)

(73) Assignee: **Vaughn Gittin, Jr.**, Huntersville, NC (US)

(*) Notice: This patent is subject to a terminal disclaimer.

(**) Term: **15 Years**

(21) Appl. No.: **29/695,176**

(22) Filed: **Jun. 17, 2019**

(51) **LOC (13) Cl.** **26-06**

(52) **U.S. Cl.**
USPC **D26/28**

(58) **Field of Classification Search**
USPC D26/28, 29, 30, 31, 32, 33, 34, 35, 36, D26/44, 139
CPC F21S 48/00; F21S 48/10; F21S 48/115; F21S 48/225; F21S 48/1233; F21S 48/1266; F21S 48/1388; F21S 48/2268; F21V 21/04; F21W 2103/35; F21W 3/40; F21W 2102/17; F21W 2102/30; F21W 2103/00; F21W 2103/55; F21W 2104/00; F21W 2107/17; F21W 2107/13
See application file for complete search history.

(56) **References Cited**

U.S. PATENT DOCUMENTS

D501,570 S * 2/2005 Tandrup D26/28
D706,966 S * 6/2014 Lai D26/35

OTHER PUBLICATIONS

Stage 3 Motorsports, 2019 Ford Ranger Raptor Style Complete Grille Kit, www.stage3motorsports.com, prior to Jun. 17, 2019.

(Continued)

Primary Examiner — Angela J Lee

(74) *Attorney, Agent, or Firm* — Blanchard & Associates

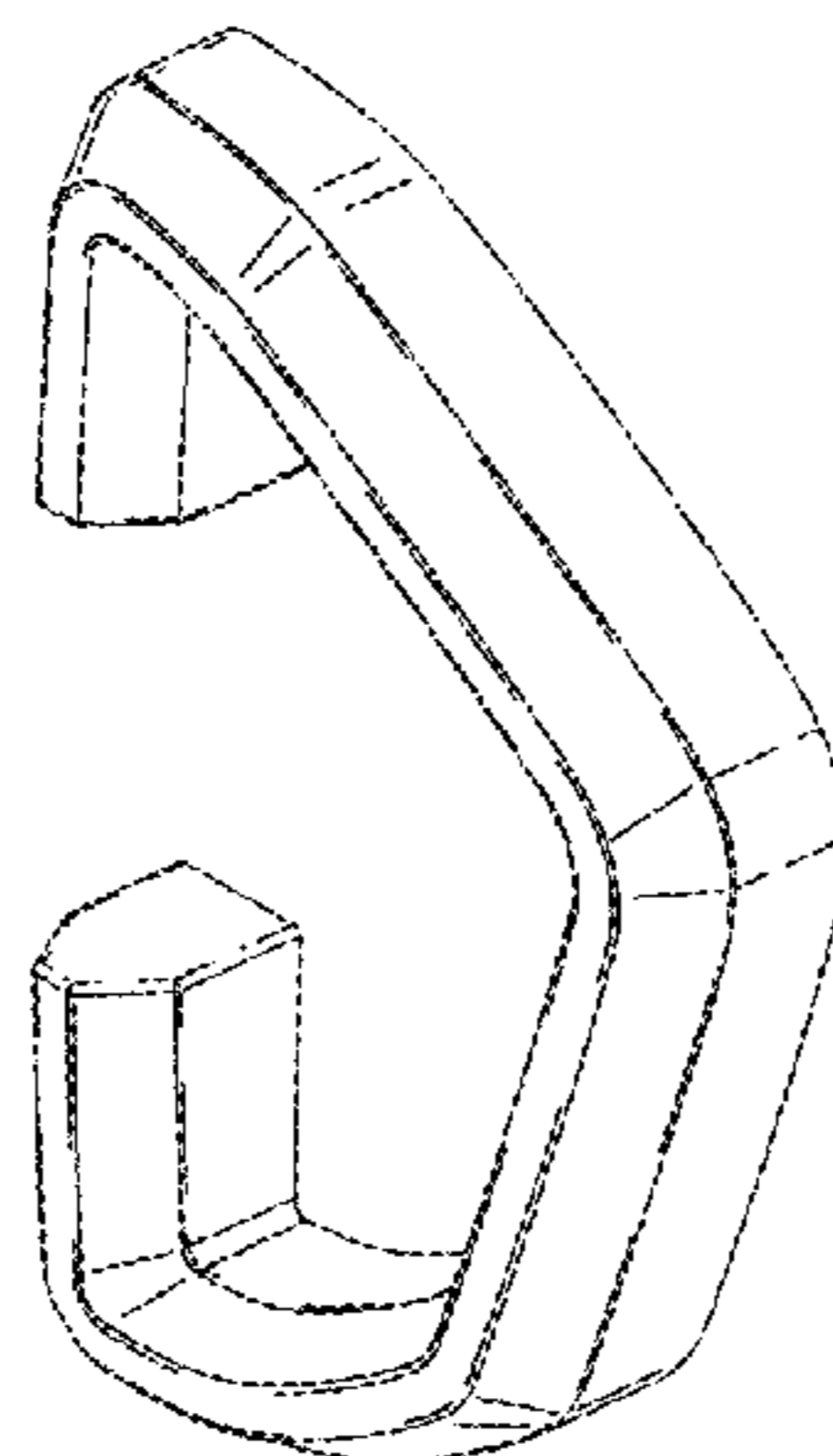
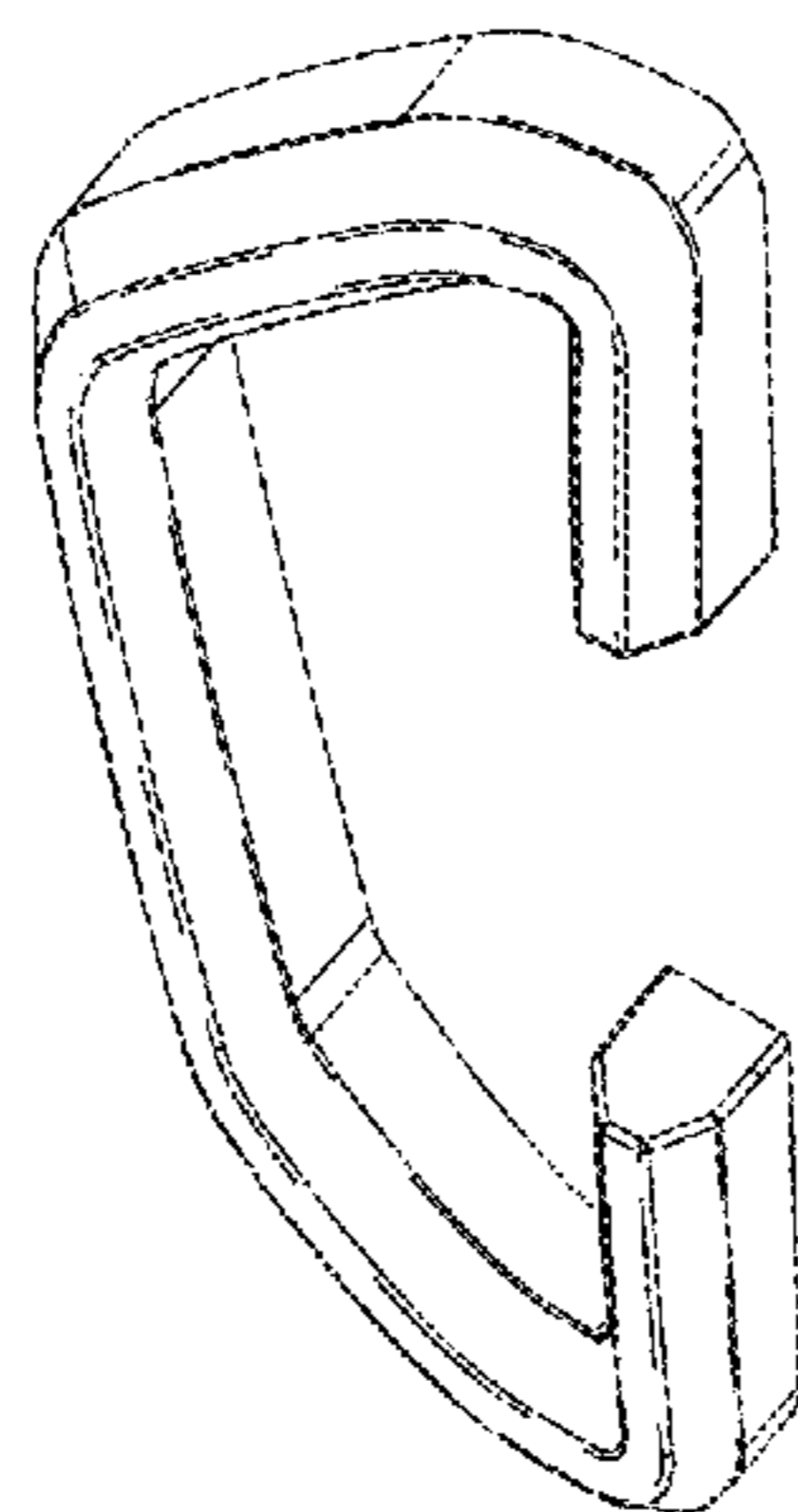
(57) **CLAIM**

The ornamental design for a pair of custom truck grille lights for a vehicle, as shown and described.

DESCRIPTION

FIG. 1 is a perspective view of a pair of custom truck grille lights for a vehicle represented in a lite truck showing my new design;
FIG. 2 is a perspective view of the pair of custom truck grille lights for a vehicle;
FIG. 3 is a front elevation view thereof;
FIG. 4 is a rear elevation view thereof;
FIG. 5 is a top plan view thereof;
FIG. 6 is a bottom plan view thereof;
FIG. 7 is a left elevation view thereof, of which the right elevation view is a mirror image;
FIG. 8 is a perspective view of another embodiment of the pair of custom truck grille lights for a vehicle;
FIG. 9 is a front elevation view thereof, of which the back-elevation view is a mirror image;
FIG. 10 is a top plan view thereof;
FIG. 11 is a bottom plan view thereof; and,
FIG. 12 is a right-side elevation view thereof, of which the left side elevation view is a mirror image.
The broken line showing in the drawings is included for the purpose of illustrating and forms no part of the claimed design.

1 Claim, 7 Drawing Sheets



(56)

References Cited

U.S. PATENT DOCUMENTS

D763,483 S *	8/2016	Luke	D26/28
D772,445 S *	11/2016	Ding	D26/28
D787,739 S	5/2017	Gittin, Jr.	
D789,574 S *	6/2017	Sassoon	D26/28
D801,558 S *	10/2017	Segui	D26/28
D806,917 S *	1/2018	Hoffman	D26/28
D825,800 S *	8/2018	Peterson	D26/28
D842,534 S	3/2019	Gittin, Jr.	
D884,225 S *	5/2020	Lin	D26/28
D908,050 S *	1/2021	Gittin, Jr.	D12/163

OTHER PUBLICATIONS

Motor 1 News, Is this the 2019 Ford Ranger's New Grille, www.motor1.com/news/186097/2019-ford-ranger-grille-previewed, prior to Jun. 17, 2019.

Ebay, Ranger 2019 2020 Grille Black Matt, <https://www.ebay.com/itm/Ranger-2019-2020-Grille-Black-Matt-/25435>, prior to Jun. 17, 2019.

OEM Autoart, 2019 Ford Ranger Custom Painted XLT/STX Grille, <https://oemautoart.com/collections/2019-ford-ranger-exterior-all/products/2019-ford-rang>, prior to Jun. 17, 2019.

Ford, What are the 2019 Ford Ranger Trim Differences?, <https://www.hopkinsfordelgin.com/research/ford-ranger-trims.htm>, prior to Jun. 17, 2019.

* cited by examiner

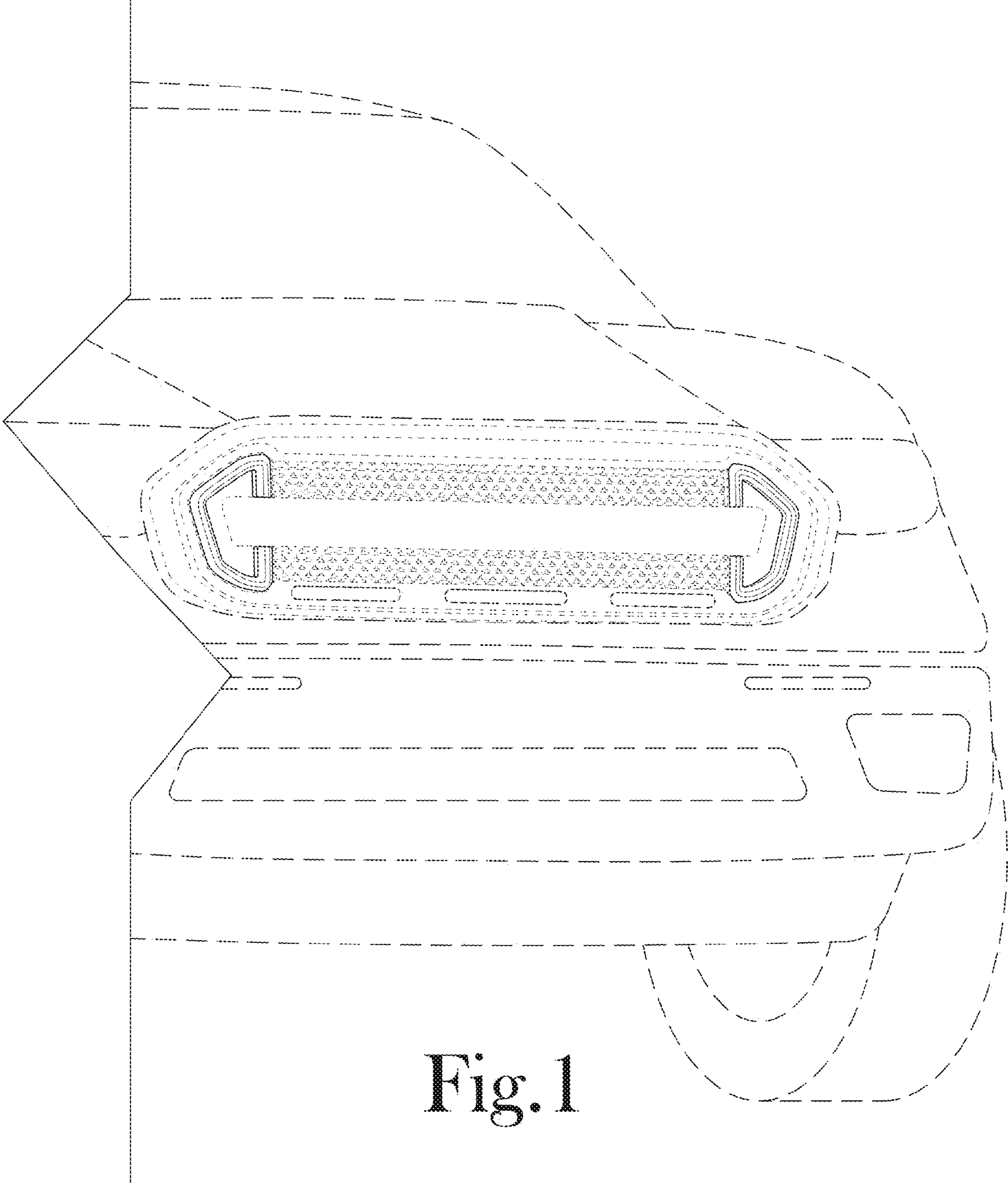


Fig. 1

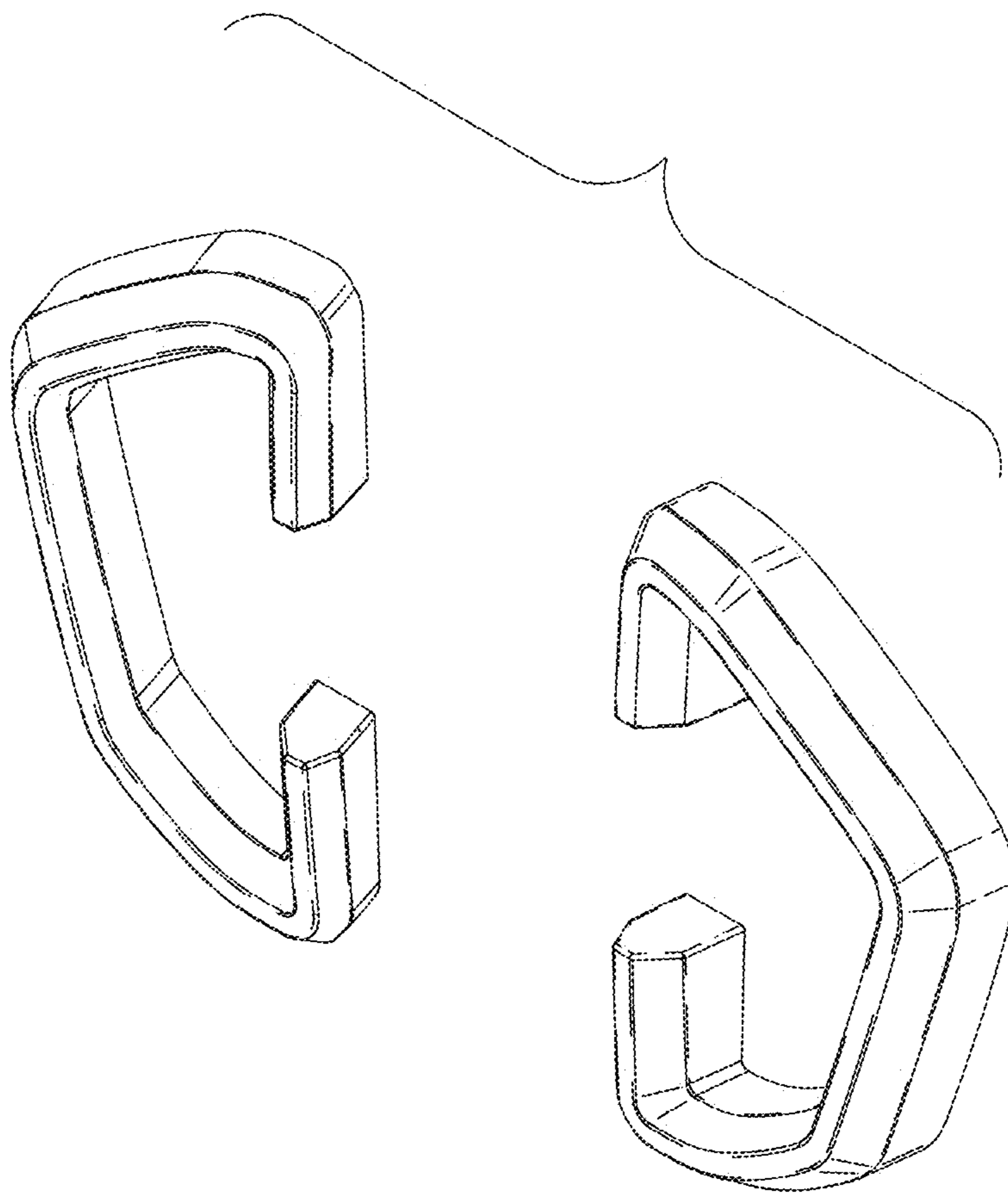


Fig.2

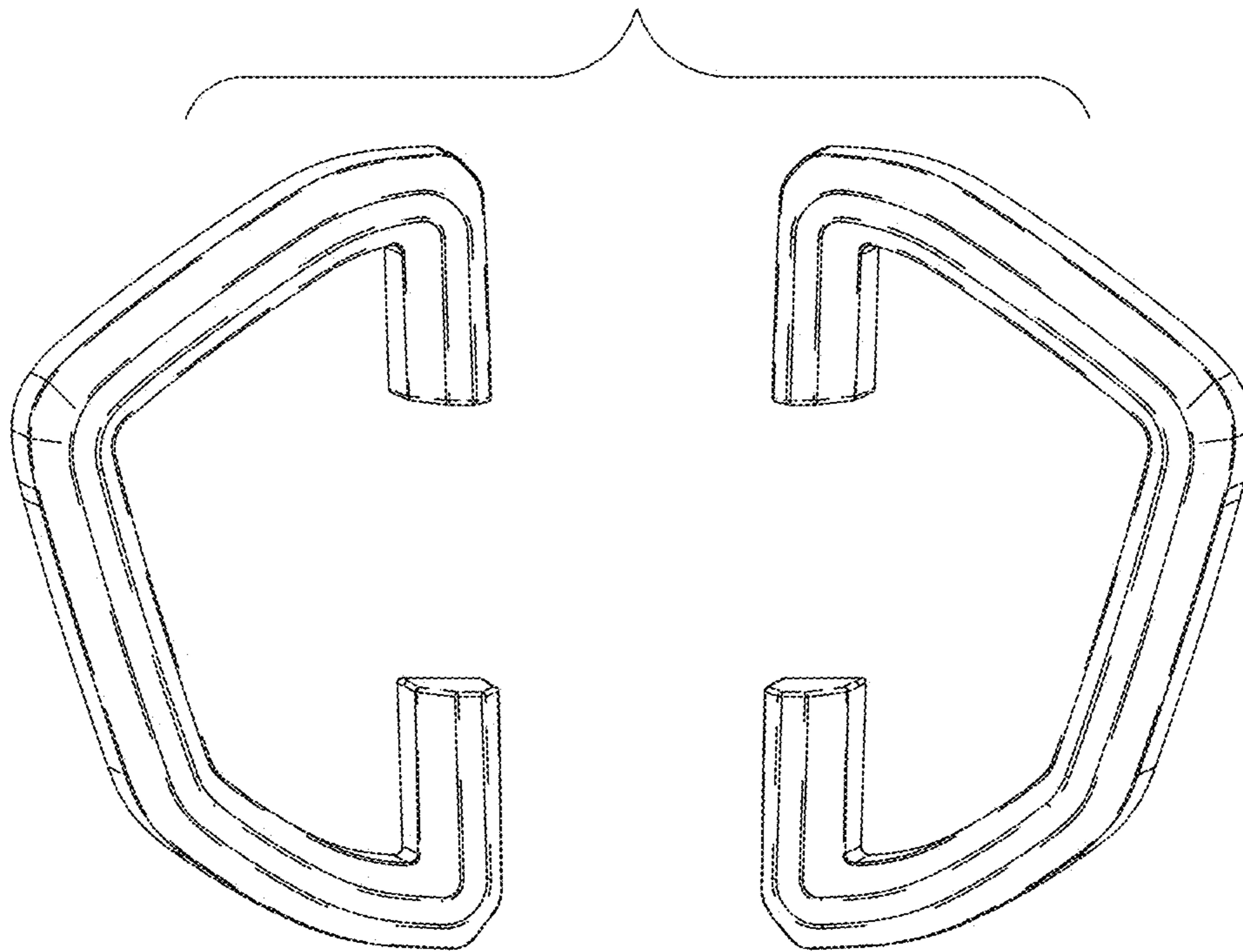


Fig. 3

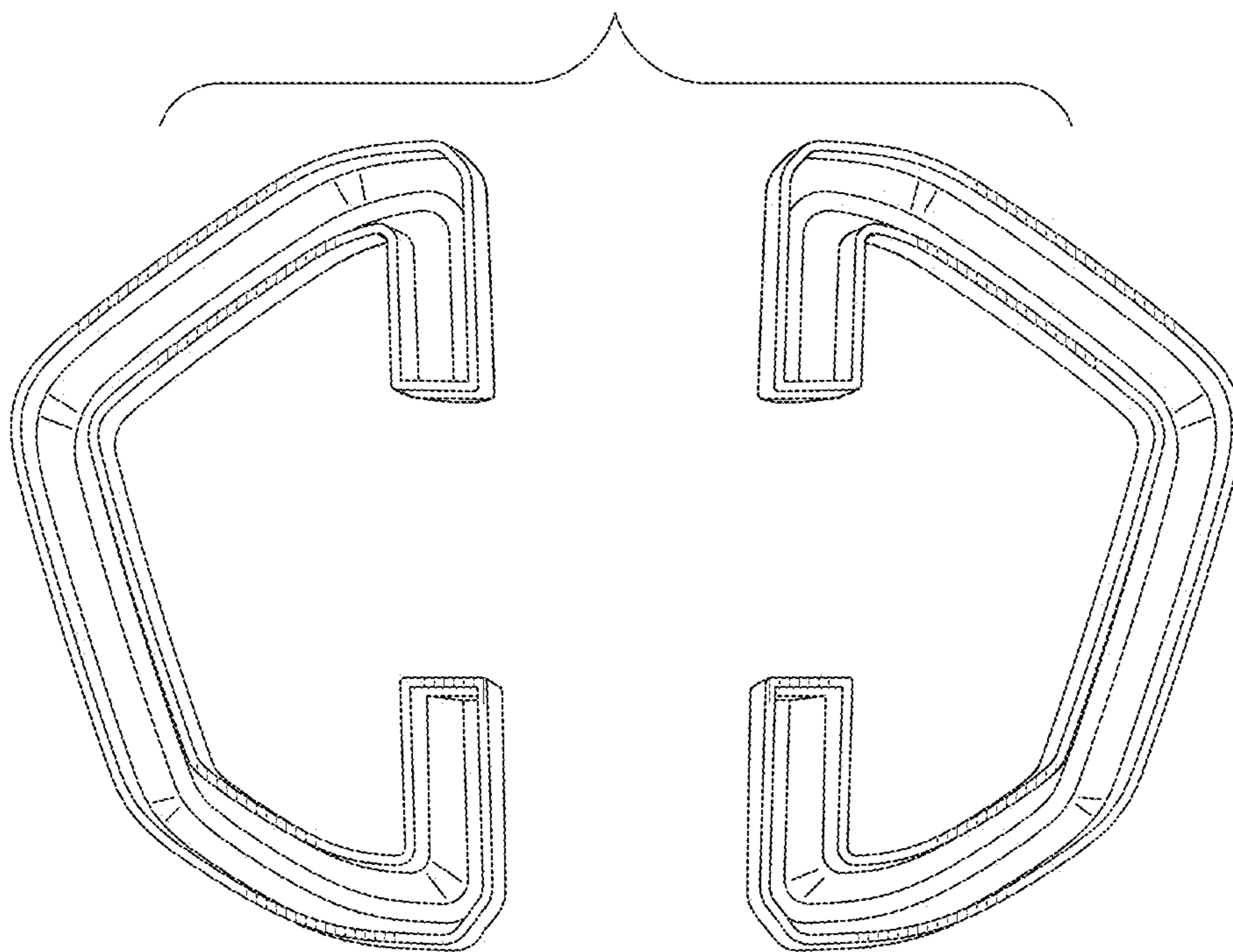


Fig. 4

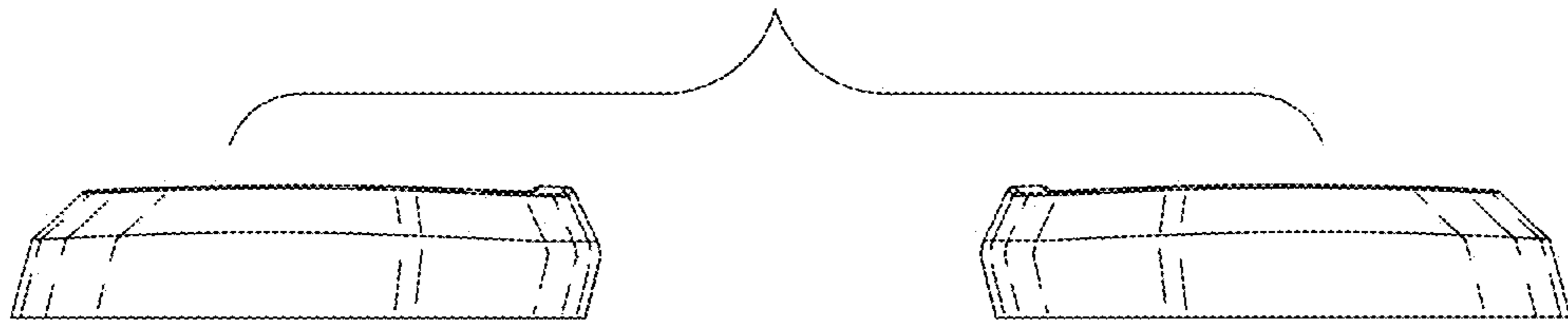


Fig. 5

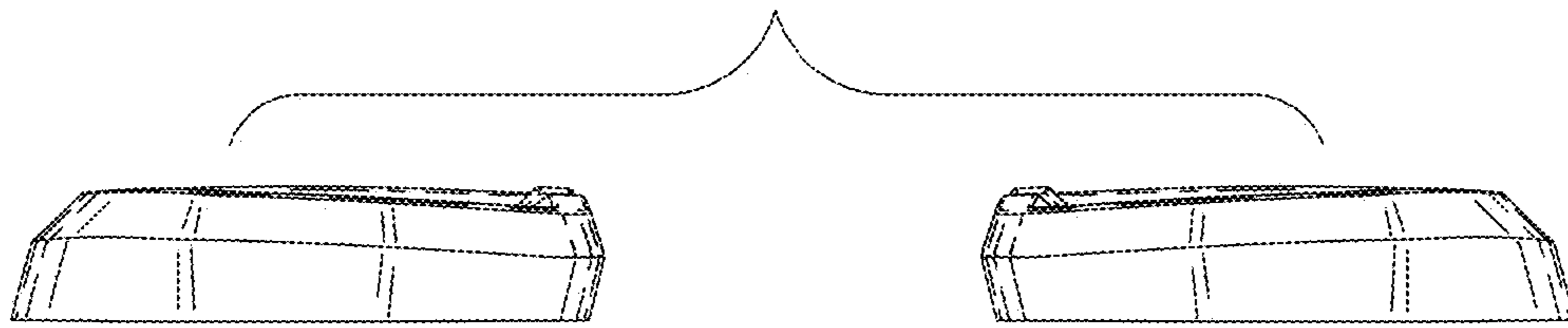


Fig. 6



Fig. 7

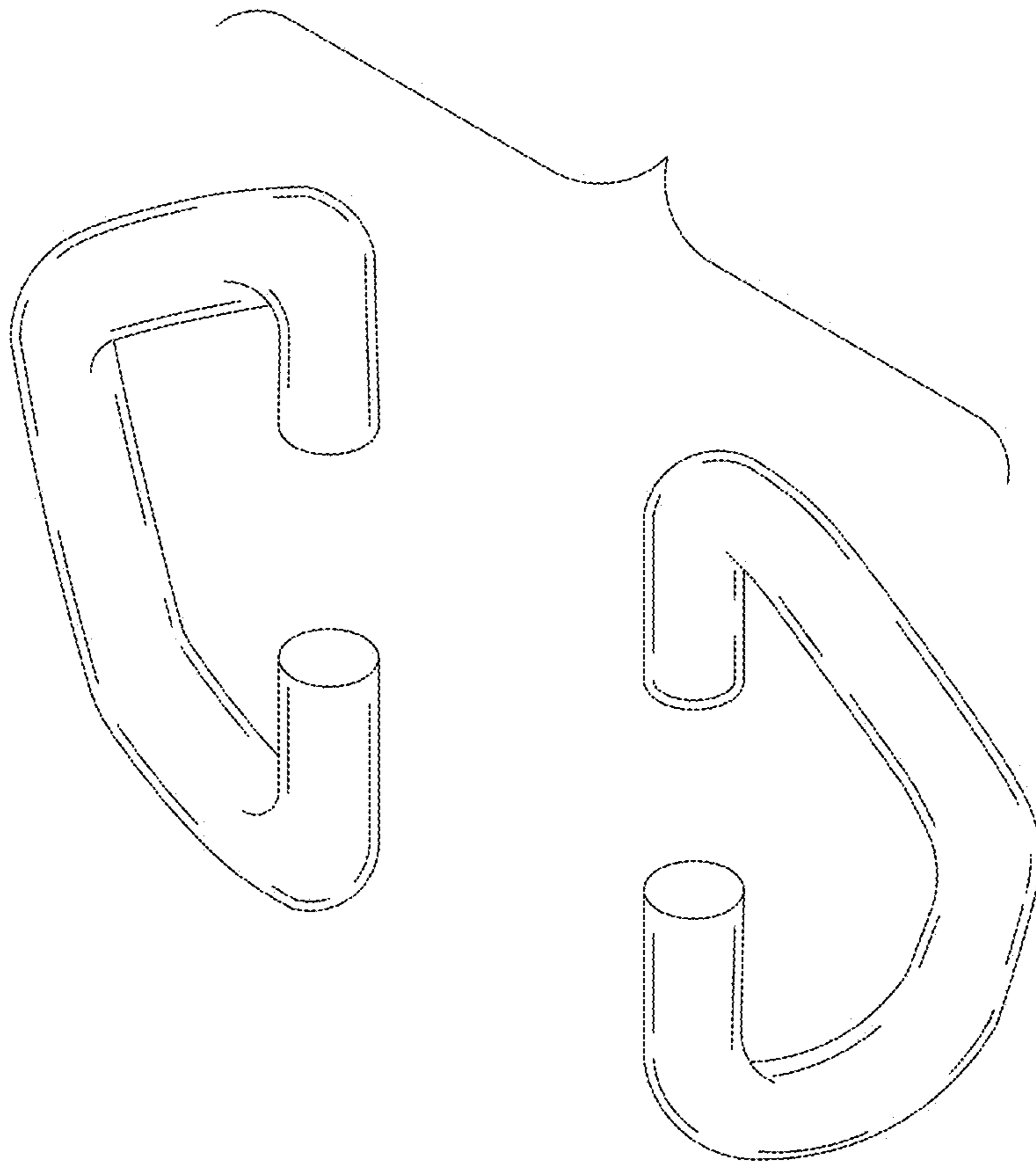


Fig.8

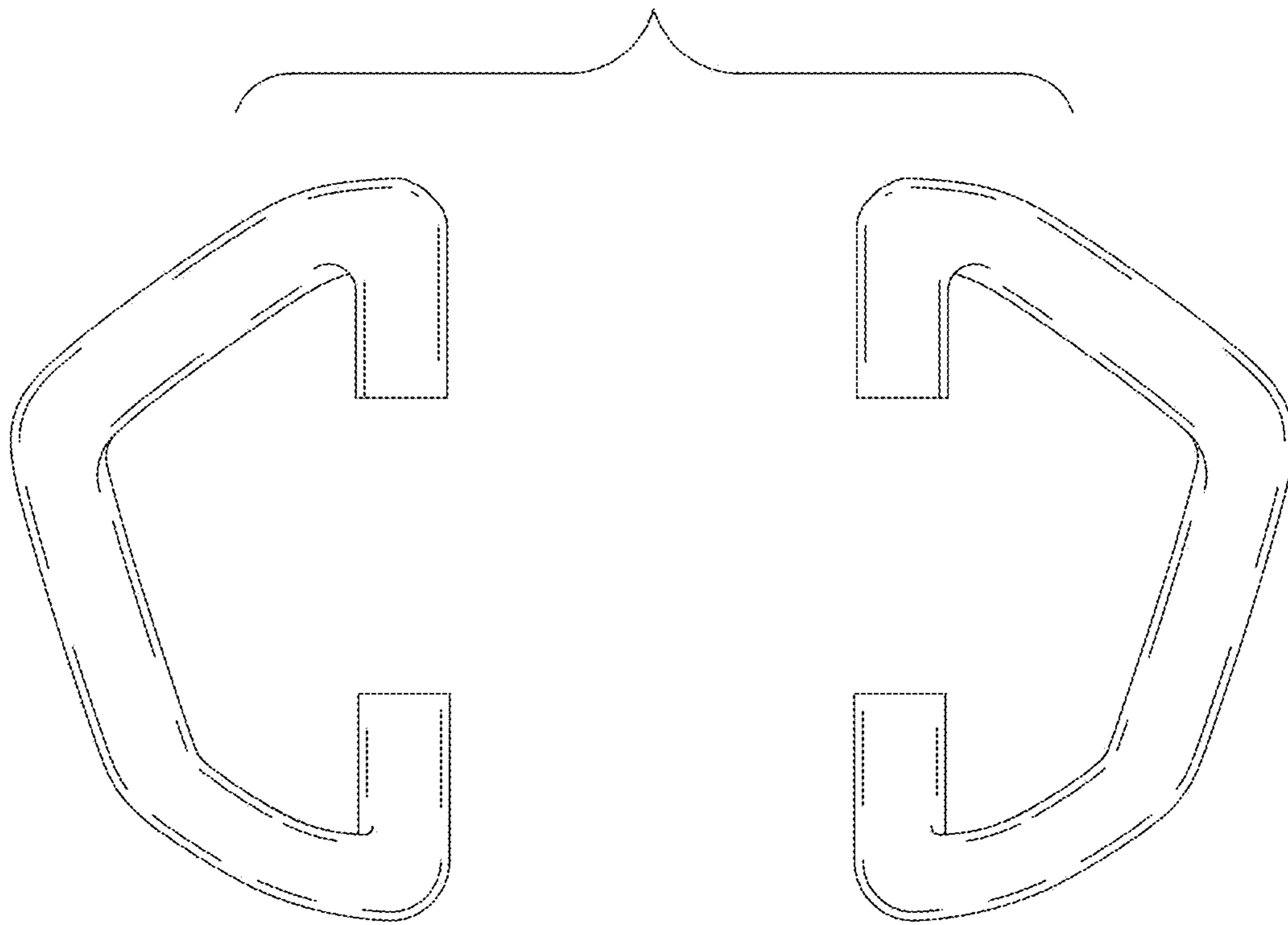


Fig.9

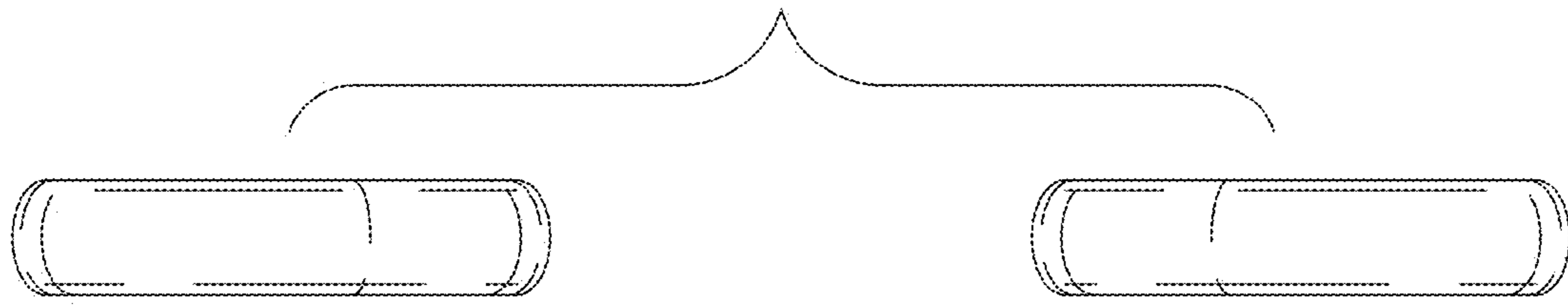


Fig. 10

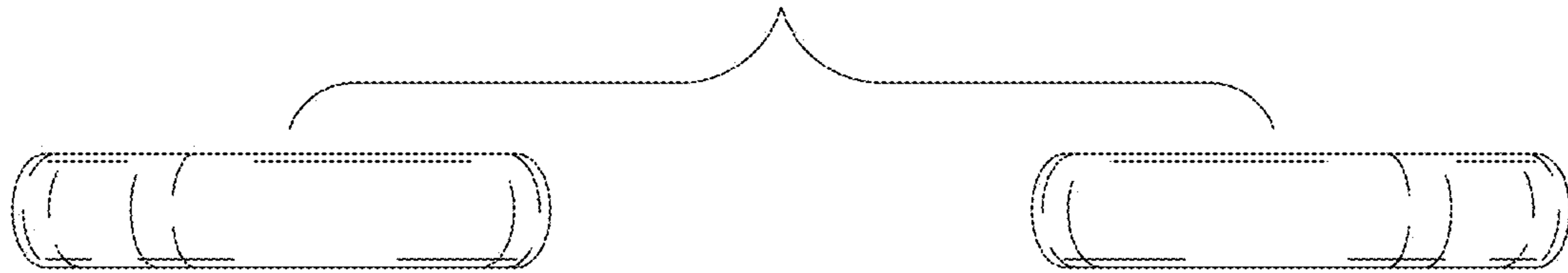


Fig. 11

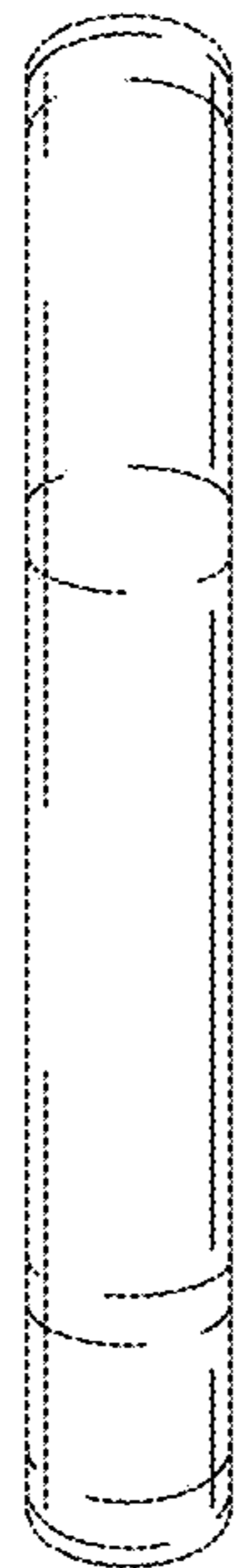


Fig. 12