



US00D945660S

(12) **United States Design Patent**
Pan et al.

(10) **Patent No.:** **US D945,660 S**
(45) **Date of Patent:** **** Mar. 8, 2022**

(54) **NIGHT LIGHT**

(71) Applicant: **Shenzhen Intellirocks Tech. Co., Ltd,**
Shenzhen (CN)

(72) Inventors: **Jinyu Pan,** Shenzhen (CN); **Peifeng Wang,** Shenzhen (CN); **Wenlong Wu,** Shenzhen (CN)

(73) Assignee: **Shenzhen Intellirocks Tech. Co., Ltd,**
Shenzhen (CN)

(**) Term: **15 Years**

(21) Appl. No.: **29/741,961**

(22) Filed: **Jul. 17, 2020**

(51) **LOC (13) Cl.** **26-05**

(52) **U.S. Cl.**
USPC **D26/26**

(58) **Field of Classification Search**
USPC D26/26, 24, 113, 118, 119, 120;
D23/366, 367, 369; 362/640, 641, 642,
362/643, 644, 650, 651, 652, 653, 659
CPC F21S 8/035; F21V 23/06; F21V 23/0442;
F21W 2121/00; H01R 2103/00
See application file for complete search history.

(56) **References Cited**

U.S. PATENT DOCUMENTS

D343,015 S * 1/1994 Yuen D26/26
D366,127 S * 1/1996 Yuen D26/26

D639,984 S * 6/2011 Stolte D26/26
D645,175 S * 9/2011 Stolte D26/26
D830,607 S * 10/2018 Recker D26/85
D872,912 S * 1/2020 Wu D26/26
D873,448 S * 1/2020 Zhang D26/26
D876,678 S * 2/2020 Chen D26/26
D876,679 S * 2/2020 Hou D26/26
D906,569 S * 12/2020 Wu D26/72
D921,954 S * 6/2021 Jiang D26/72
D930,195 S * 9/2021 Deurwaarder D26/26
2021/0148548 A1 * 5/2021 Hou F21V 17/10

* cited by examiner

Primary Examiner — Angela J Lee

(74) *Attorney, Agent, or Firm* — W&G Law Group

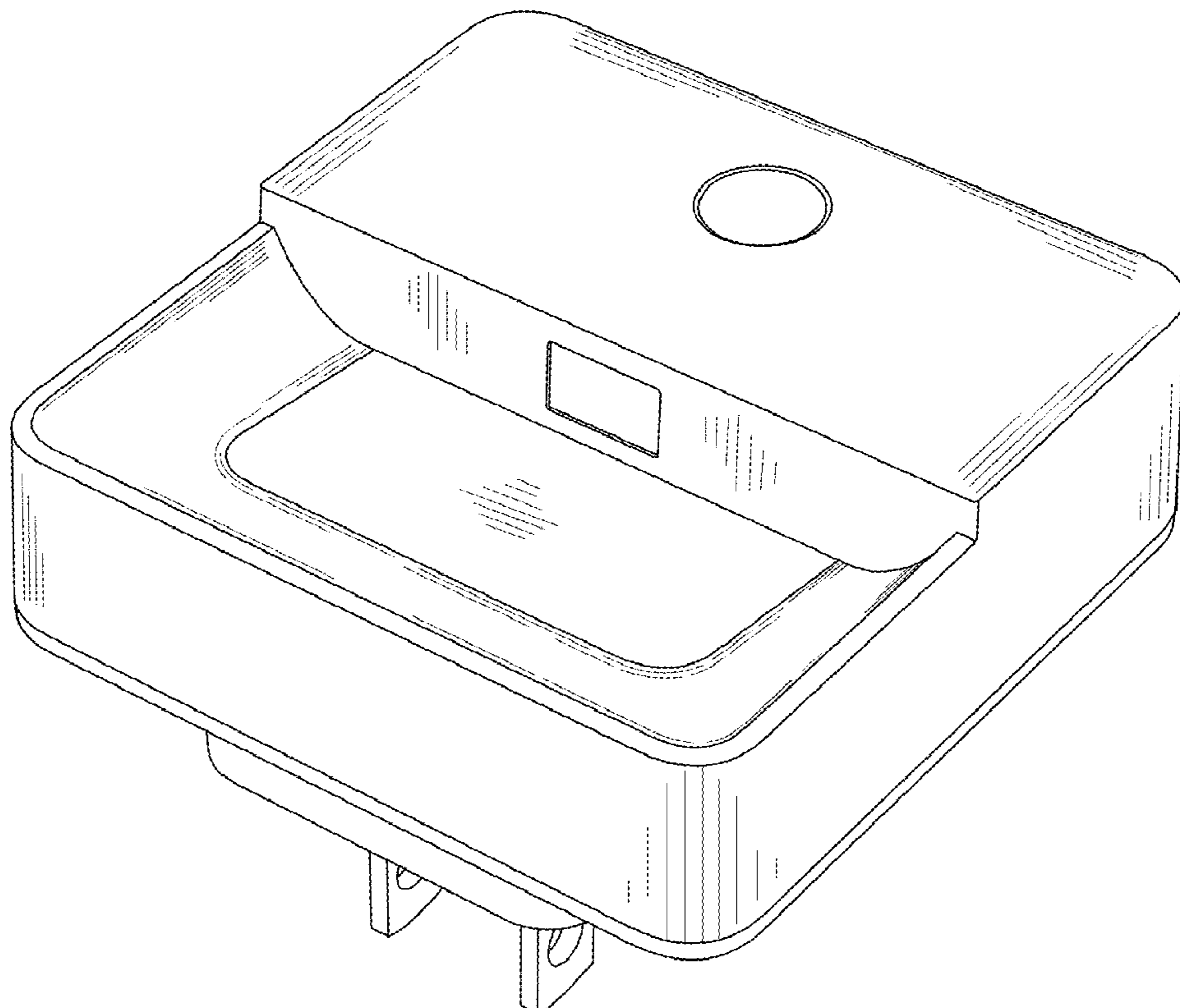
(57) **CLAIM**

The ornamental design for a night light, as shown and described.

DESCRIPTION

FIG. 1 is a first perspective view of a night light showing the new design;
FIG. 2 is a second perspective view of the night light showing the new design;
FIG. 3 is a front view thereof;
FIG. 4 is a rear view thereof;
FIG. 5 is a left view thereof;
FIG. 6 is a right view thereof;
FIG. 7 is a top view thereof; and,
FIG. 8 is a bottom view thereof.

1 Claim, 8 Drawing Sheets



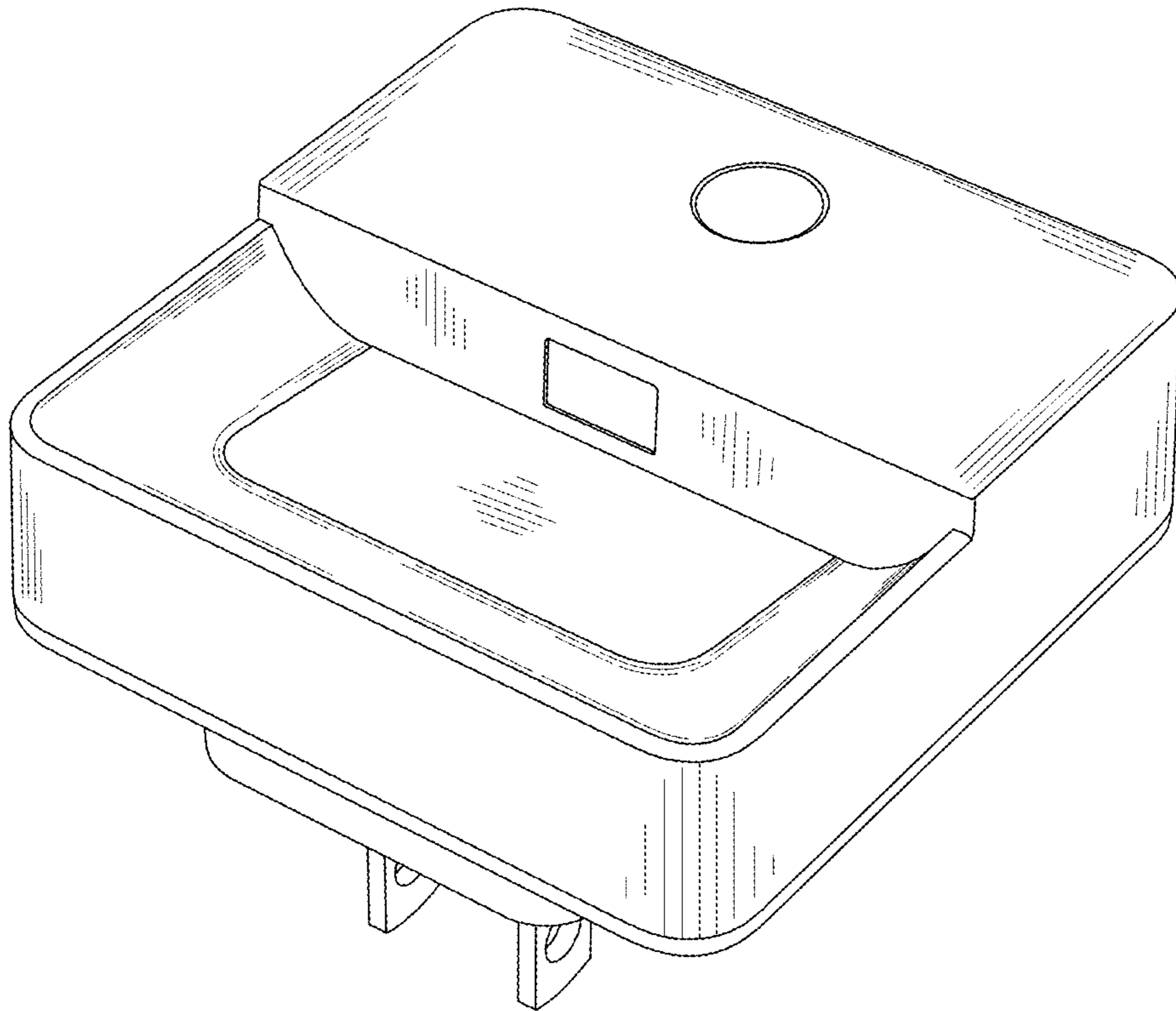


FIG. 1

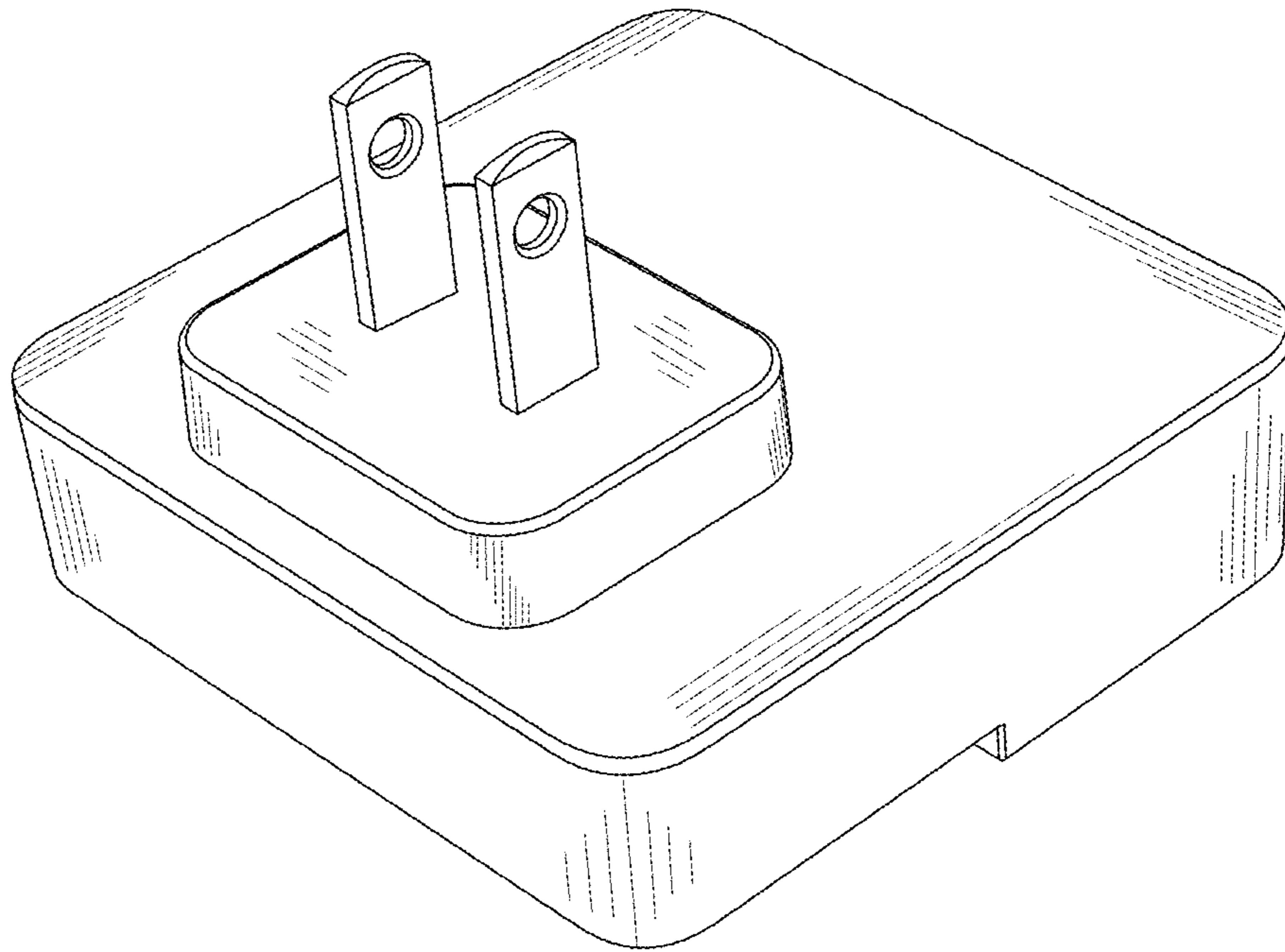


FIG. 2

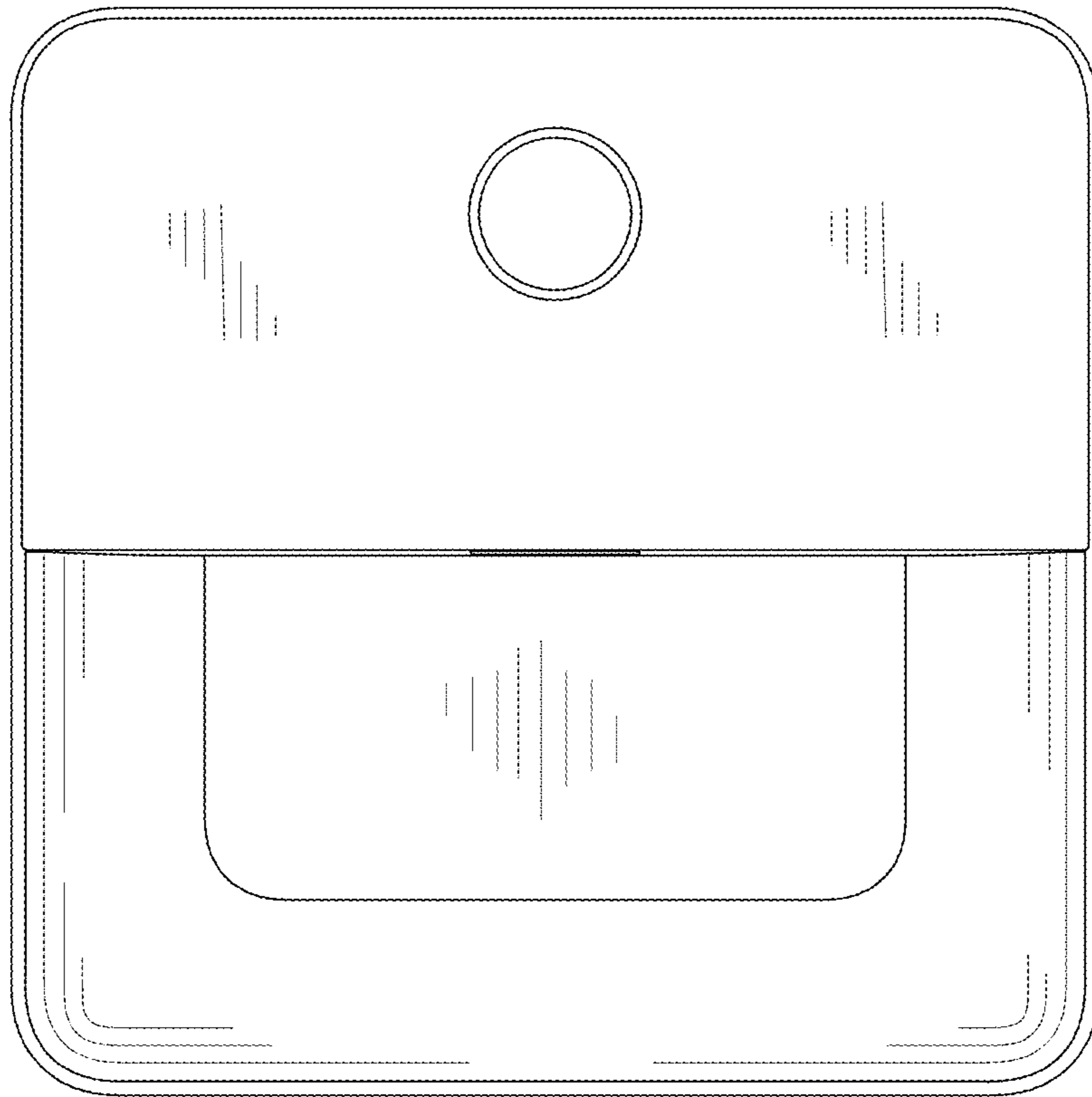


FIG. 3

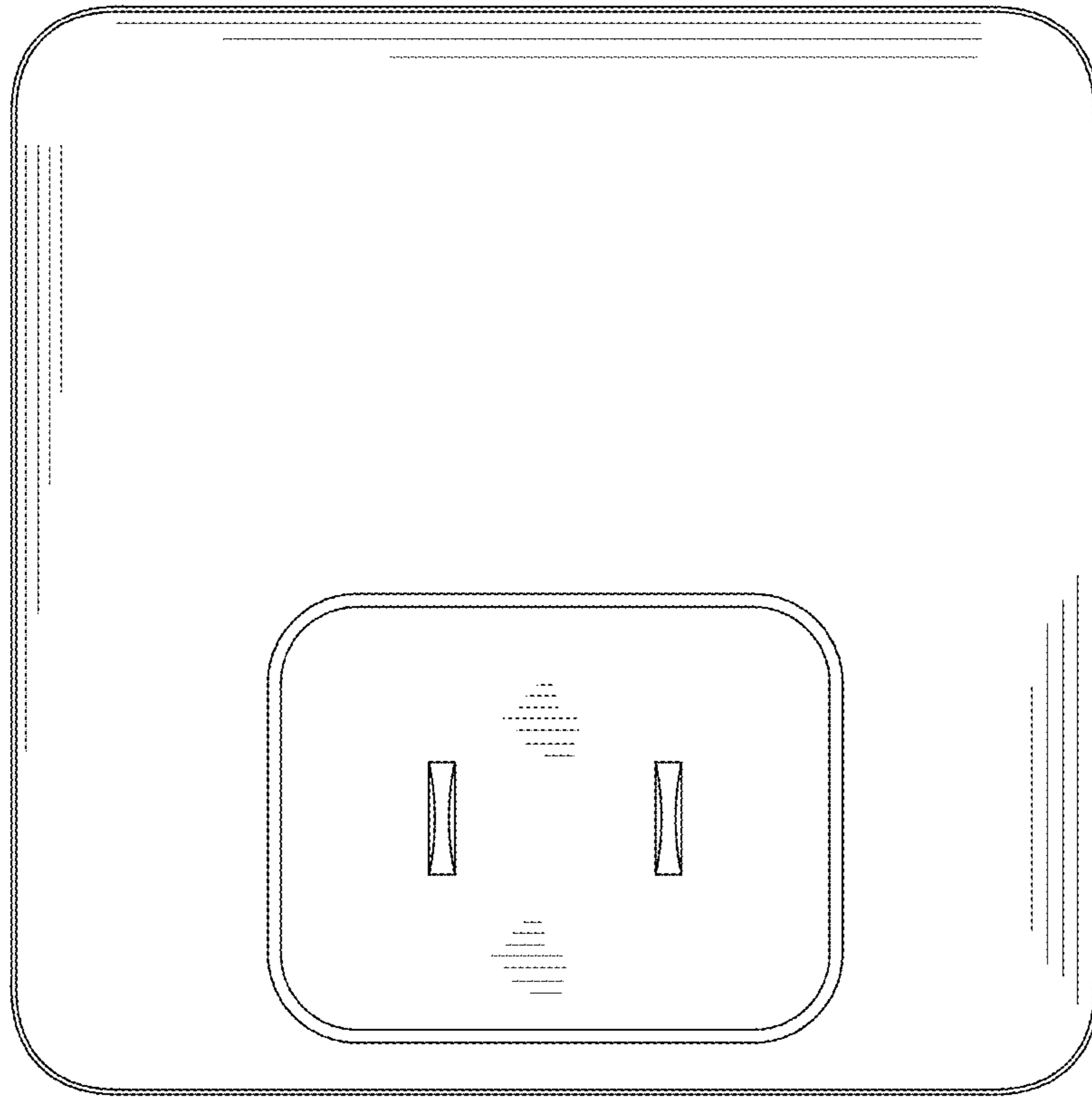


FIG. 4

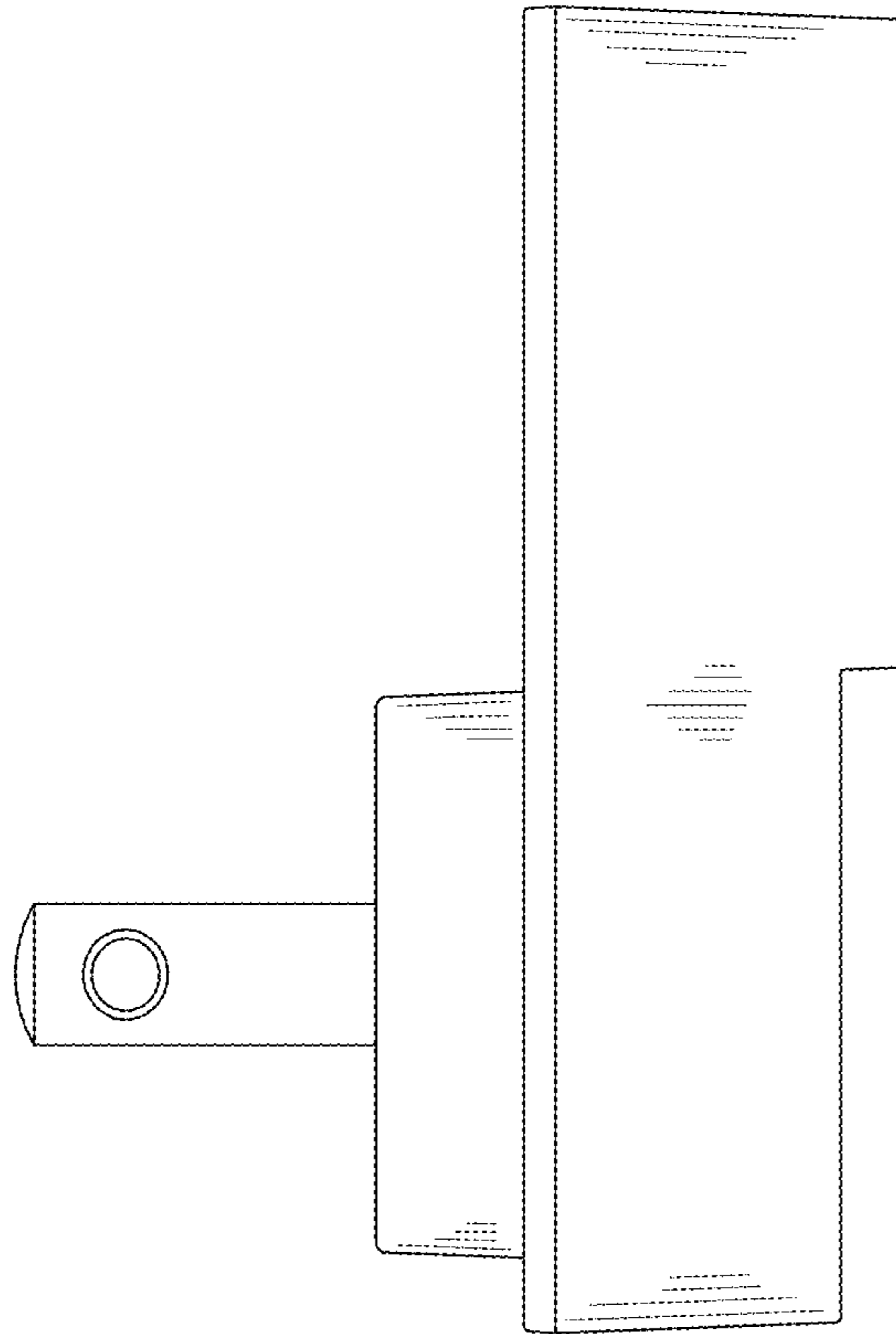


FIG. 5

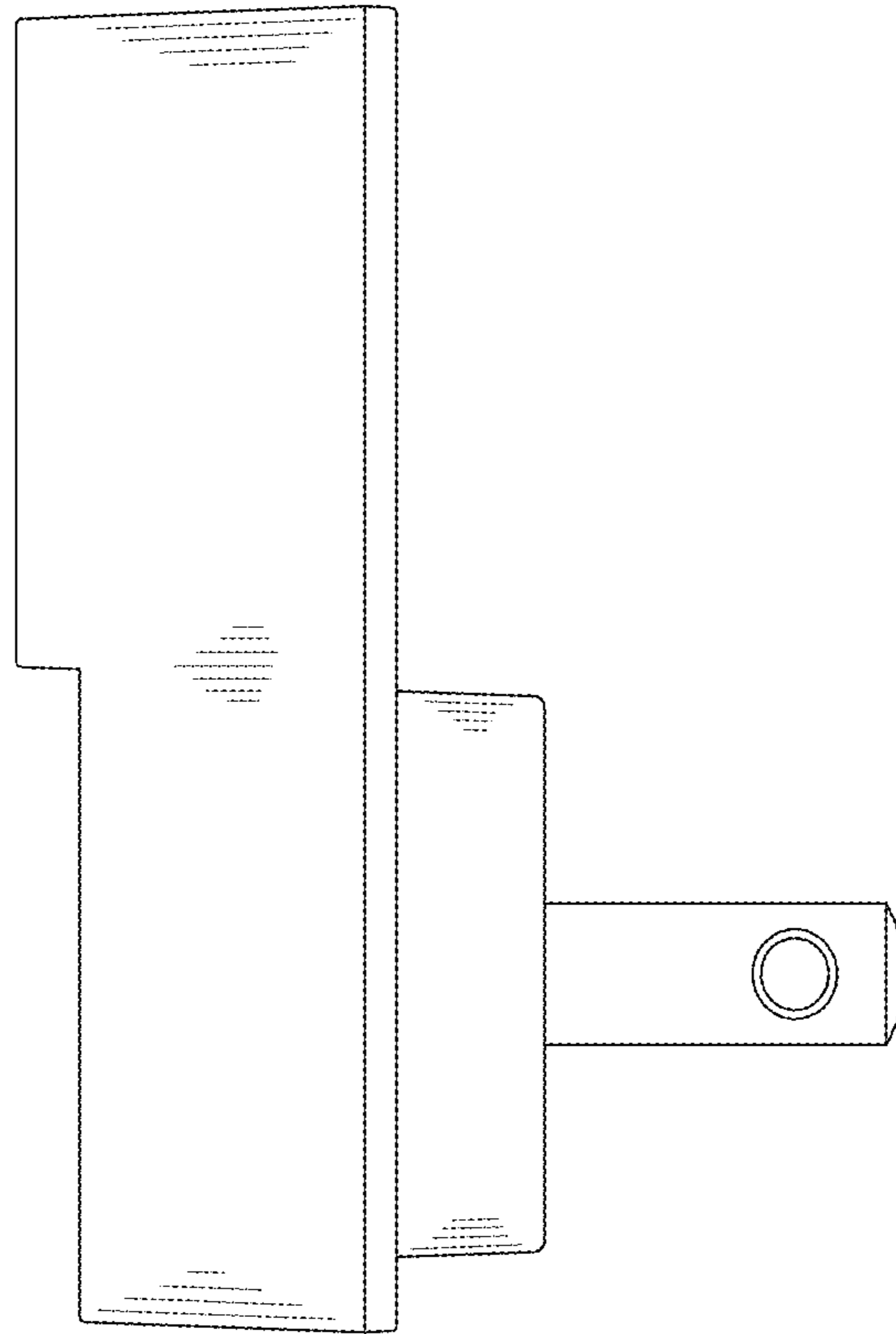


FIG. 6

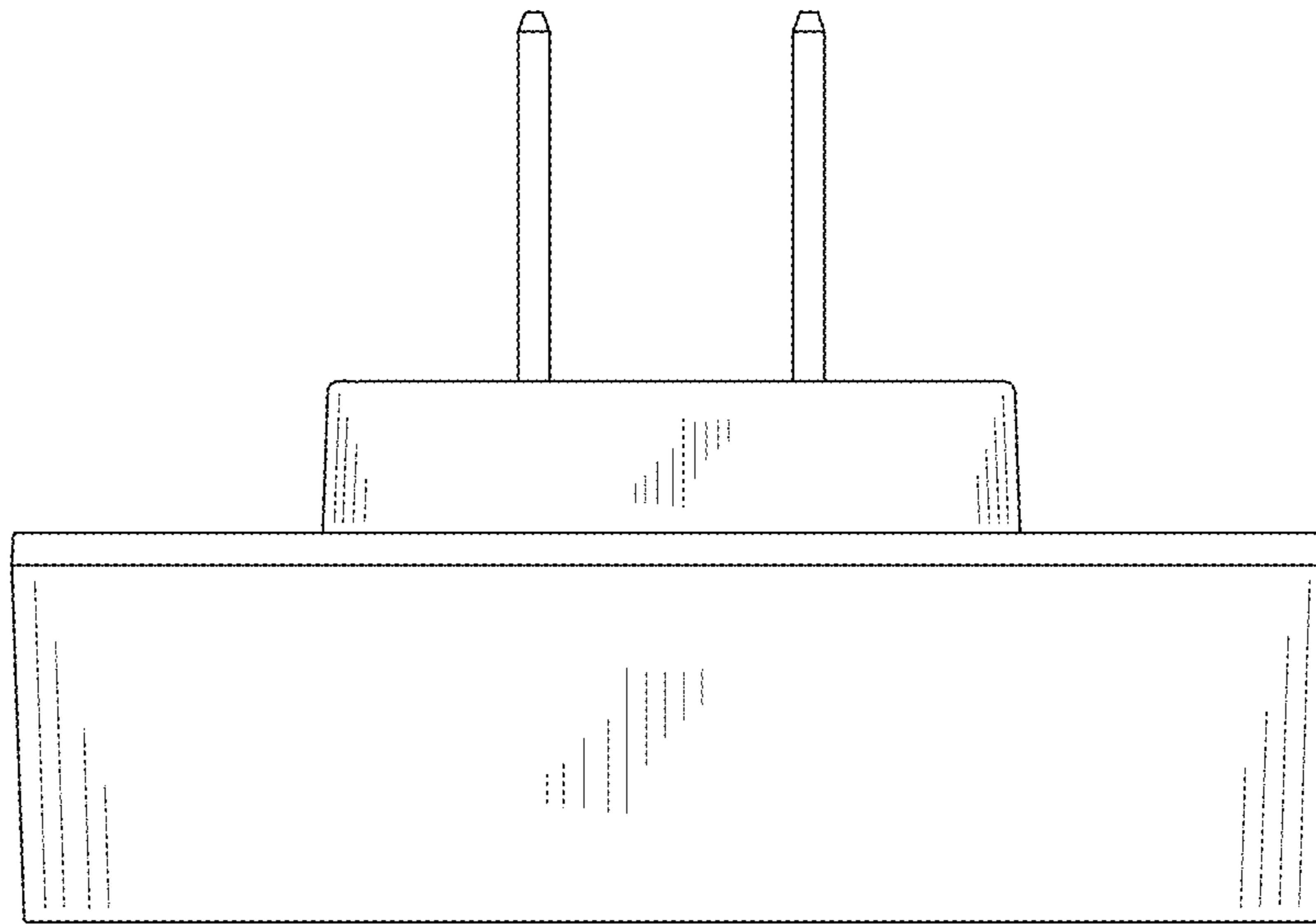


FIG. 7

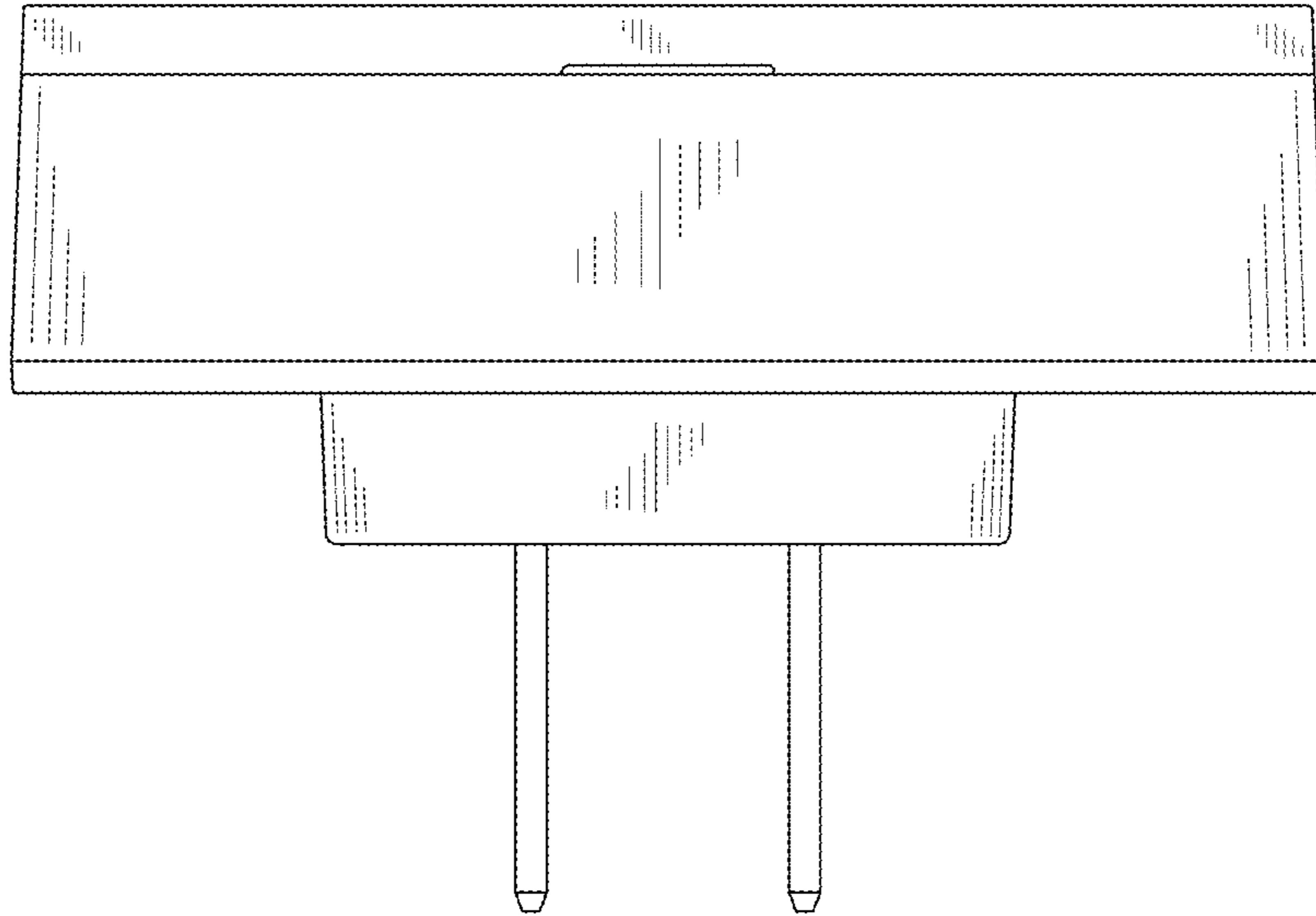


FIG. 8