



US00D945658S

(12) **United States Design Patent** (10) **Patent No.:** **US D945,658 S**
Brannon (45) **Date of Patent:** **** Mar. 8, 2022**

(54) **ENCLOSED LIGHTING DEVICE**
(71) Applicant: **Hubbell Incorporated**, Shelton, CT (US)
(72) Inventor: **Derek Brannon**, Greenville, SC (US)
(73) Assignee: **Hubbell Incorporated**, Shelton, CT (US)
(**) Term: **15 Years**
(21) Appl. No.: **29/737,321**
(22) Filed: **Jun. 8, 2020**

3,004,144 A 10/1961 Agrell
D359,139 S 6/1995 Kaczmarek
D365,166 S * 12/1995 Harris D26/68
D487,525 S 3/2004 Hsu
D515,723 S * 2/2006 Chen D26/2
D528,227 S * 9/2006 Chou D26/2
D538,461 S 3/2007 Broughton
D541,973 S 5/2007 Dolan
D574,992 S 8/2008 Citterio
D617,916 S * 6/2010 Wada D26/2
D620,182 S 7/2010 Sabernig
D620,624 S * 7/2010 Wang D26/2
D635,288 S 3/2011 Zolotykh
D636,115 S * 4/2011 Dai D26/134
7,988,327 B1 8/2011 Knoble
D653,795 S 2/2012 Guercio

(Continued)

Related U.S. Application Data

(62) Division of application No. 29/690,801, filed on May 10, 2019, now Pat. No. Des. 888,320, which is a division of application No. 29/653,724, filed on Jun. 18, 2018, now Pat. No. Des. 851,809, which is a division of application No. 29/587,457, filed on Dec. 13, 2016, now Pat. No. Des. 821,017.

(51) **LOC (13) Cl.** **26-03**

(52) **U.S. Cl.**
USPC **D26/24; D26/2; D26/113**

(58) **Field of Classification Search**
USPC D26/2, 24, 40, 44, 60, 61, 63-70, 104, D26/105, 106, 113, 121, 122, 133, 134, D26/137
CPC F21L 13/00; F21S 9/00; F21S 9/02; F21S 9/03; F21S 9/035; F21S 9/037; F21S 10/00; F21S 10/005; F21S 10/007; F21S 8/033; F21S 8/036; F21S 8/08; F21S 8/081; F21S 8/083; F21S 8/086; F21S 8/088

See application file for complete search history.

(56) **References Cited**

U.S. PATENT DOCUMENTS

D92,636 S 4/1934 Wideroe
2,259,237 A 10/1941 Baker

OTHER PUBLICATIONS

LED Vapor Proof Jelly Jar Light Fixture, Super Bright LEDs, site visited Jan. 9, 2018, available online at <https://www.superbrightleds.com/...ghting/led-vapor-proof-jelly-jar-light-fixture-caged-pendant-mount-light-1800-lumens-4285/#tab/Reviews> (Year: 2018).

Primary Examiner — Kevin K Rudzinski

Assistant Examiner — Richard Kearney

(74) *Attorney, Agent, or Firm* — Michael Best & Friedrich LLP

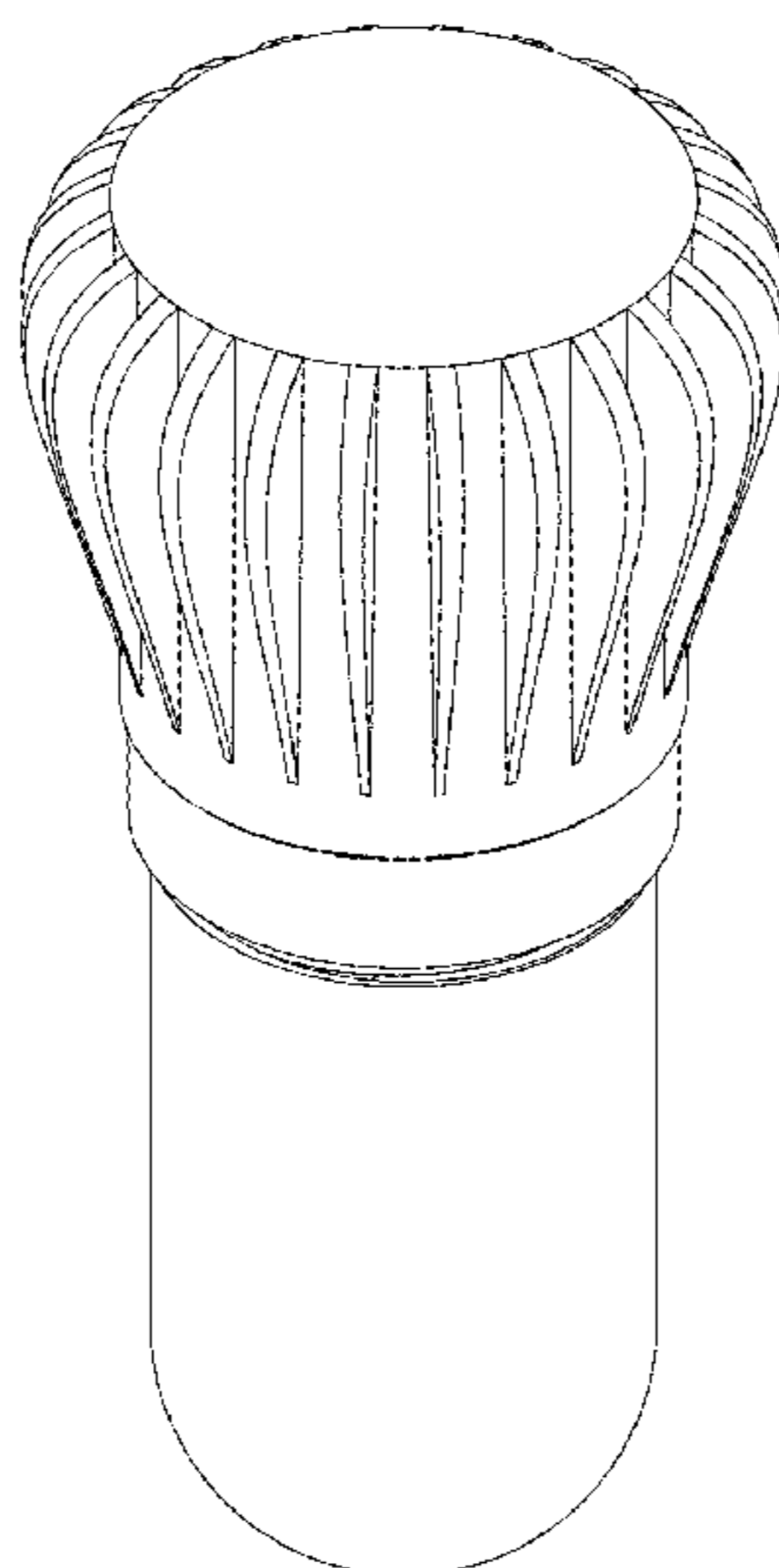
(57) **CLAIM**

The ornamental design for an enclosed lighting device, as shown and described.

DESCRIPTION

FIG. 1 is a perspective view of an enclosed lighting device; FIG. 2 is a front view of FIG. 1, with the right and left side views being identical thereto; FIG. 3 is a top view of FIG. 1; and, FIG. 4 is a bottom view of FIG. 1.

1 Claim, 3 Drawing Sheets



(56)

References Cited

U.S. PATENT DOCUMENTS

D666,340	S *	8/2012	Sakamoto	D26/2
D669,612	S *	10/2012	Yamamoto	D26/2
D673,319	S	12/2012	Guercio	
D679,034	S *	3/2013	Lee	D26/2
D688,390	S *	8/2013	Lee	D26/2
D690,037	S *	9/2013	Lee	D26/2
D729,429	S	5/2015	Arndt	
D729,432	S	5/2015	Newton	
D739,586	S	9/2015	Hong	
D761,975	S *	7/2016	Moon	D26/2
D767,195	S	9/2016	Pollack, Jr.	
D786,485	S *	5/2017	Amato	D26/106
D791,371	S *	7/2017	Lee	D26/2
D813,424	S *	3/2018	Shum	D26/2
D821,017	S	6/2018	Brannon	
D830,585	S *	10/2018	Grandadam	D26/2
10,145,555	B2	12/2018	Deng	
D851,809	S *	6/2019	Brannon	D26/87
D858,863	S *	9/2019	Deng	D26/119
D888,320	S *	6/2020	Brannon	D26/89
10,753,590	B1 *	8/2020	Deng	F21V 25/12
D899,663	S *	10/2020	Kang	D26/85
D903,907	S *	12/2020	Peng	D26/2
D905,897	S *	12/2020	Anastassiades	D26/93
D915,649	S *	4/2021	Dewey	D26/60
D923,861	S *	6/2021	Haggar	D26/119
2012/0080992	A1	4/2012	Huang	
2012/0195041	A1	8/2012	Fletcher	
2013/0285546	A1 *	10/2013	Chen	H05B 47/13 315/50
2014/0268885	A1 *	9/2014	Randolph	F21V 3/02 362/650

* cited by examiner

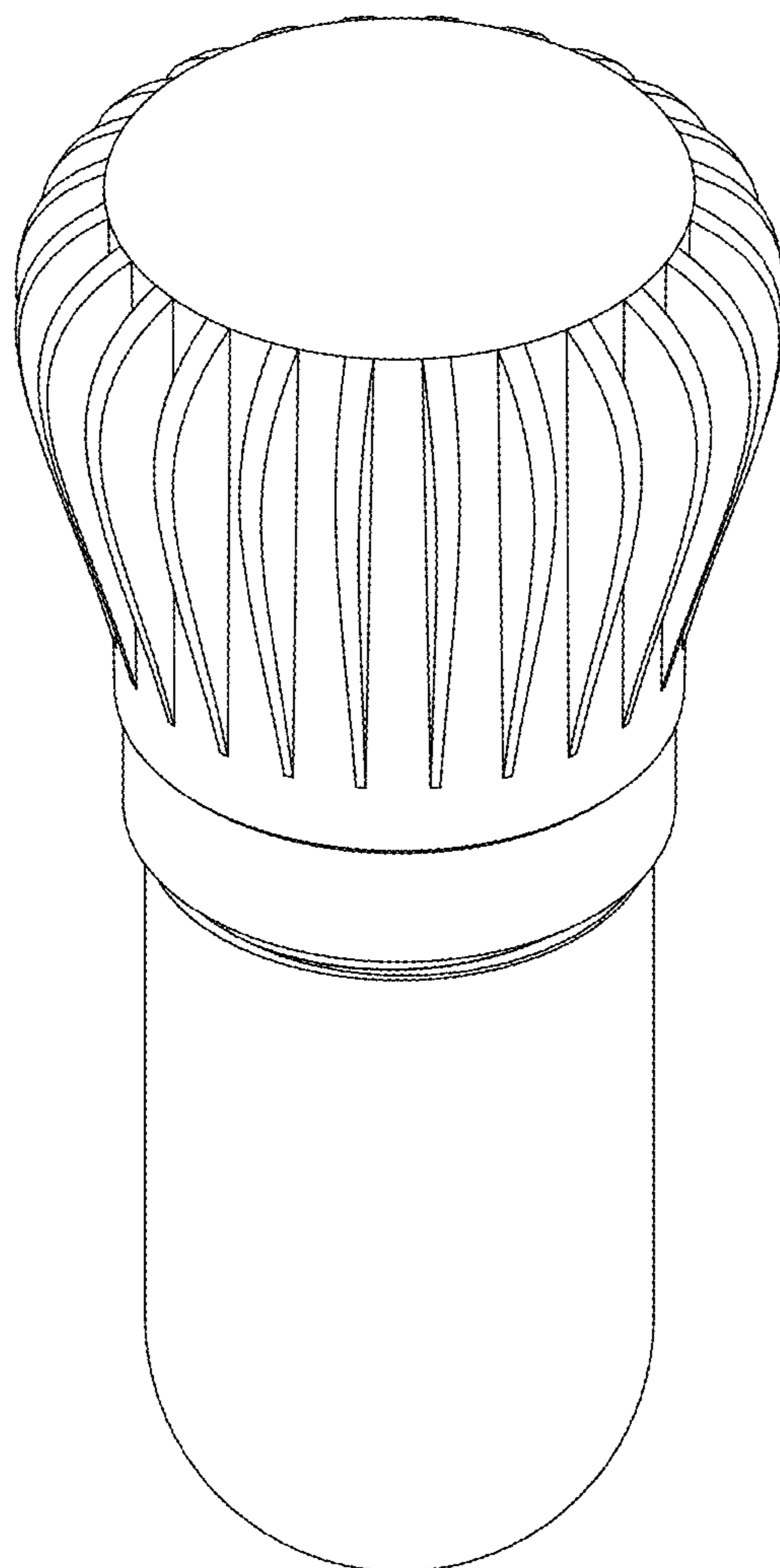


FIG. 1

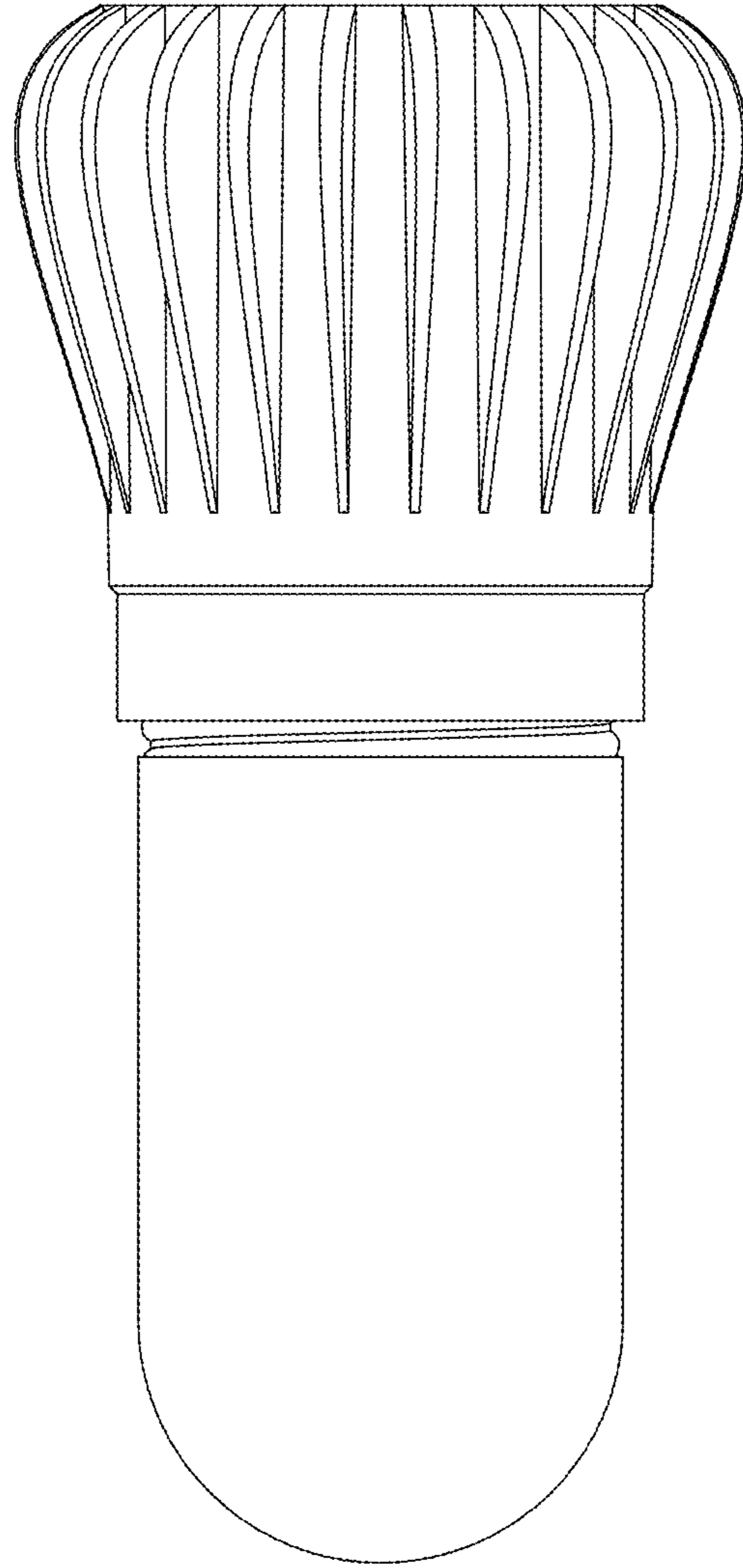


FIG. 2

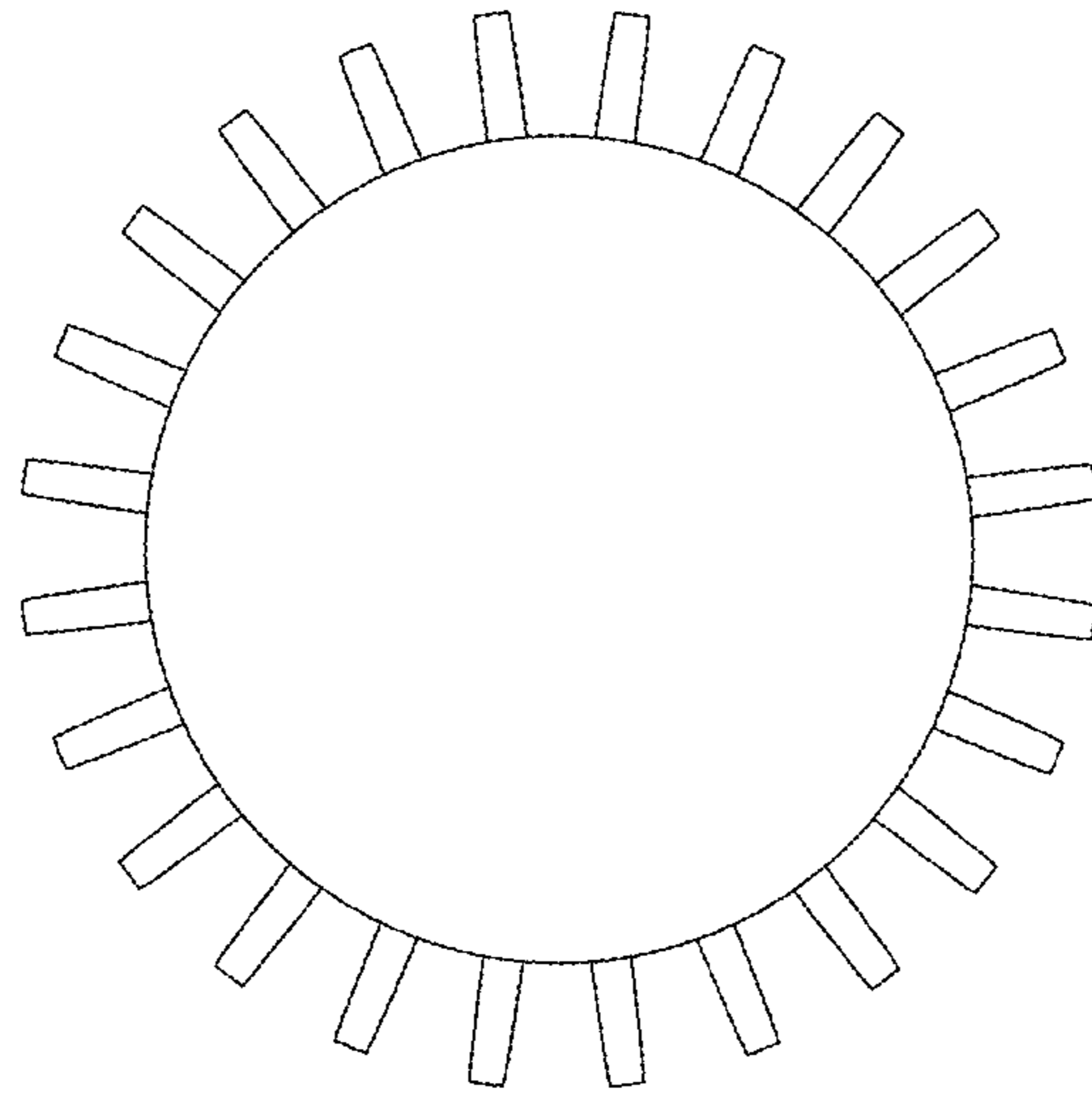


FIG. 3

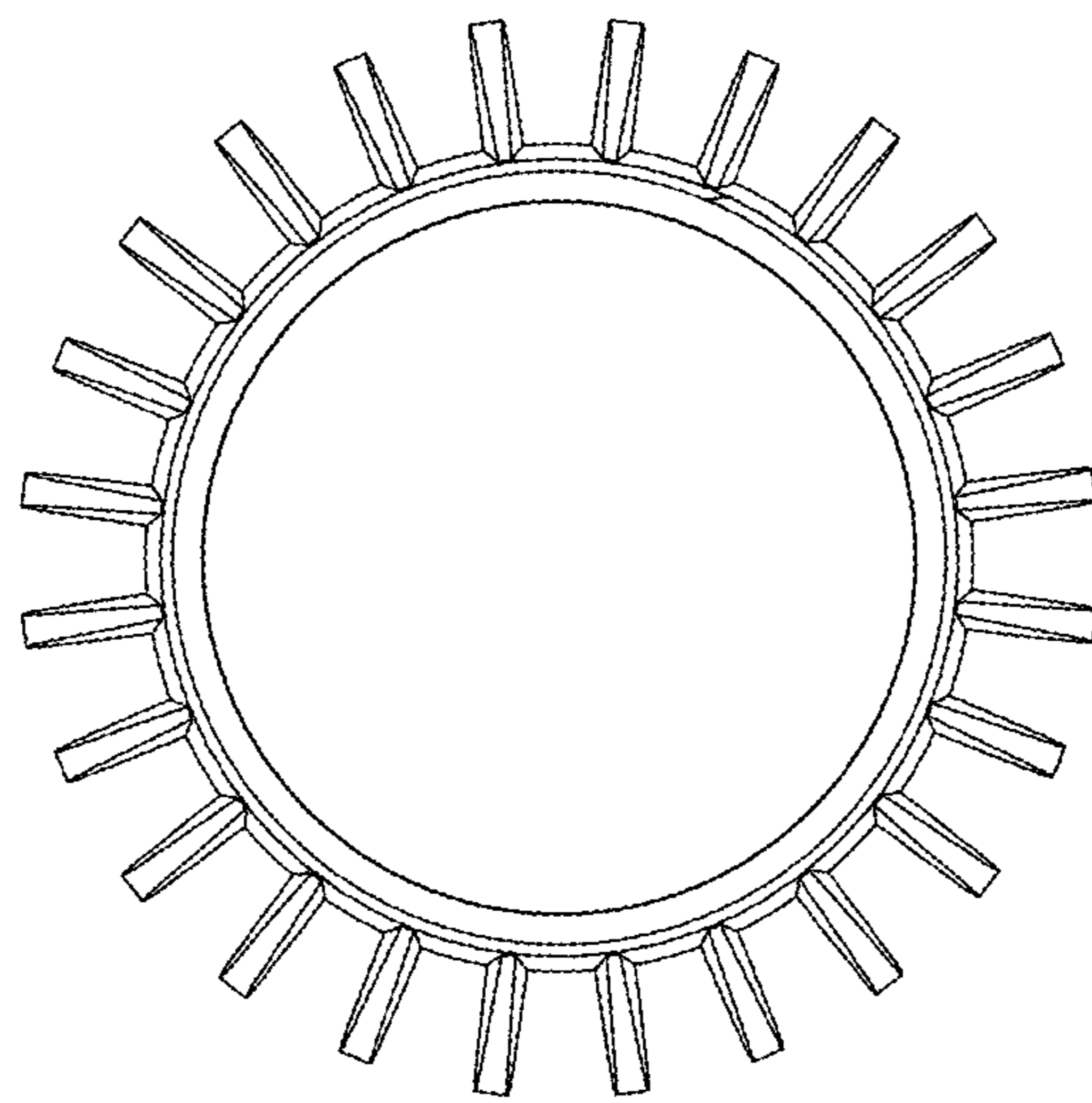


FIG. 4