



US00D945656S

(12) **United States Design Patent** (10) **Patent No.:** **US D945,656 S**
Poulsen (45) **Date of Patent:** **** Mar. 8, 2022**

(54) **LED LAMP**

(56) **References Cited**

(71) Applicant: **deluxe holding ApS**, Kolding (DK)

U.S. PATENT DOCUMENTS

(72) Inventor: **Claus Poulsen**, Kolding (DK)

D431,306 S * 9/2000 Tsai D26/5
D576,317 S * 9/2008 Jensen D26/5
D759,858 S * 6/2016 Li D26/5
D900,350 S * 10/2020 Ding D26/5

(73) Assignee: **Deluxe Holding APS**, Kolding (DK)

* cited by examiner

(**) Term: **15 Years**

Primary Examiner — Marcus A Jackson

(21) Appl. No.: **29/749,777**

(74) *Attorney, Agent, or Firm* — The Dobrusin Law Firm, PC

(22) Filed: **Sep. 9, 2020**

(57) **CLAIM**

(30) **Foreign Application Priority Data**

The ornamental design for a LED lamp, as shown and described.

Mar. 10, 2020 (EP) 007745252-0001

DESCRIPTION

(51) **LOC (13) Cl.** **26-04**

FIG. 1 is a frontal perspective view of the LED lamp in accordance with one or more embodiments shown and described herein;

(52) **U.S. Cl.**

USPC **D26/5**

FIG. 2 is a side view of the LED lamp or in accordance with one or more embodiments shown and described herein;

(58) **Field of Classification Search**

USPC D26/1-4

CPC H01J 5/00; H01J 5/16; H01J 1/02; H01J

15/00; H01J 5/48; H01J 5/50; H01J

19/54; H01R 5/00; H01R 13/46; H01R

13/514; H01R 31/02; H01R 31/048;

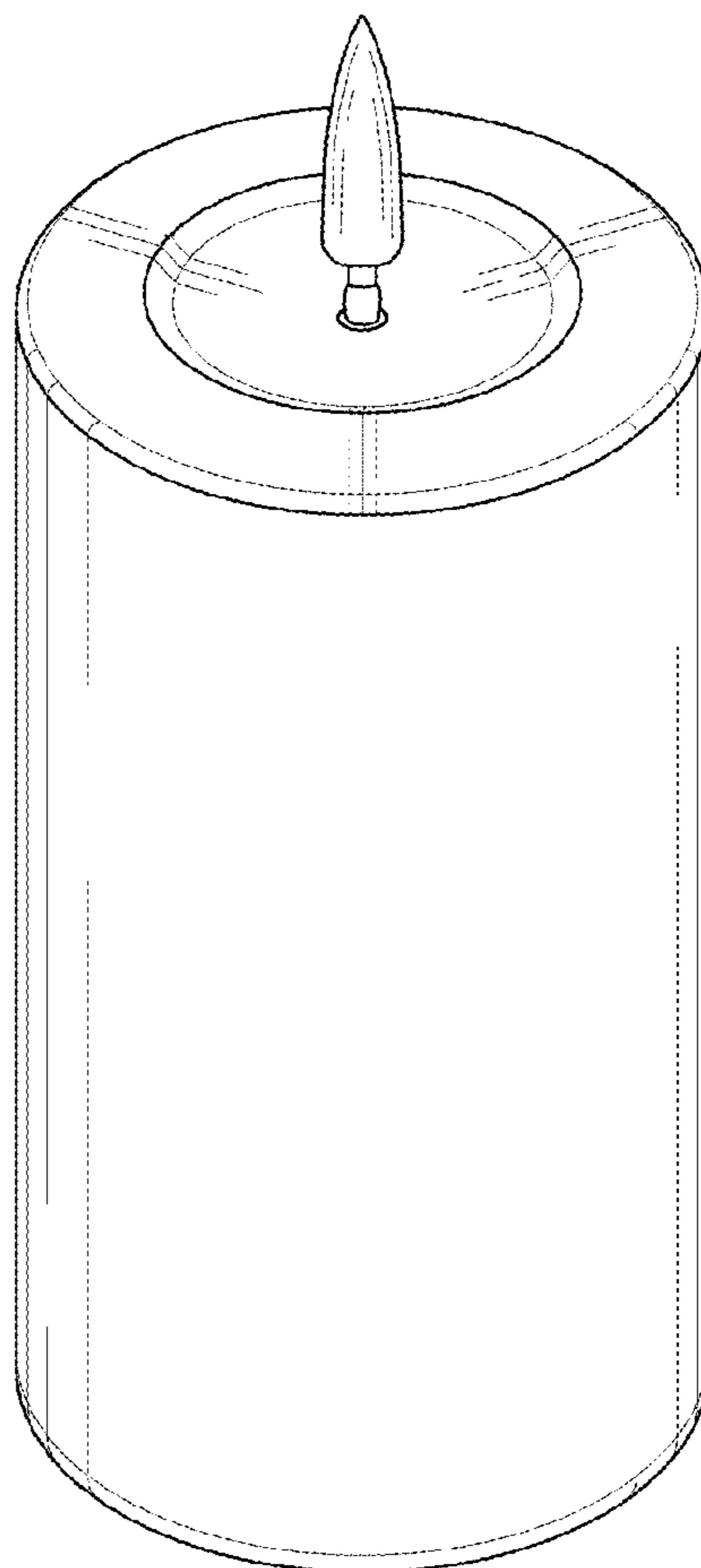
F21V 5/00; F21K 9/00; F21K 13/00

FIG. 3 is a bottom view of the LED lamp in accordance with one or more embodiments shown and described herein; and,

FIG. 4 is a top view of the LED lamp in accordance with one or more embodiments shown and described herein.

See application file for complete search history.

1 Claim, 1 Drawing Sheet



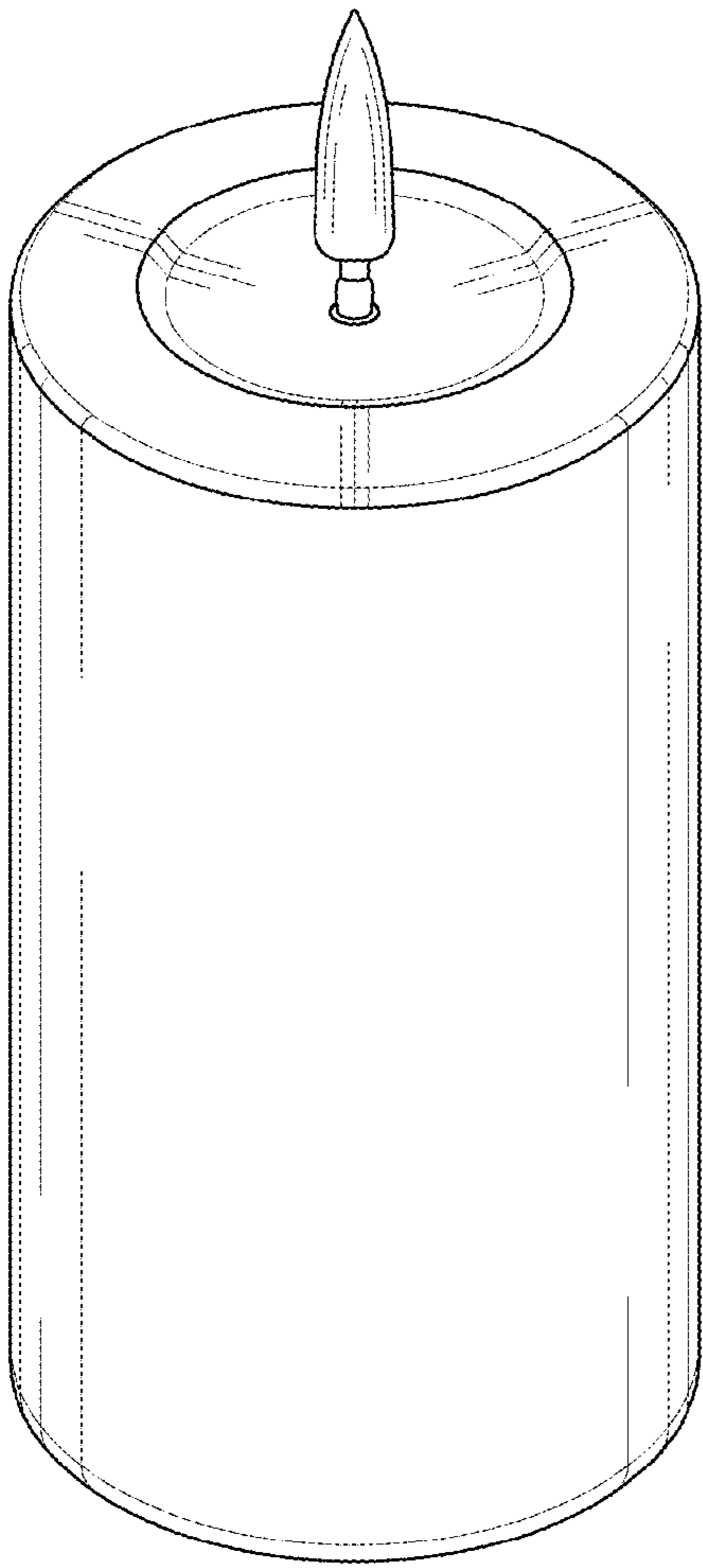


Fig-1

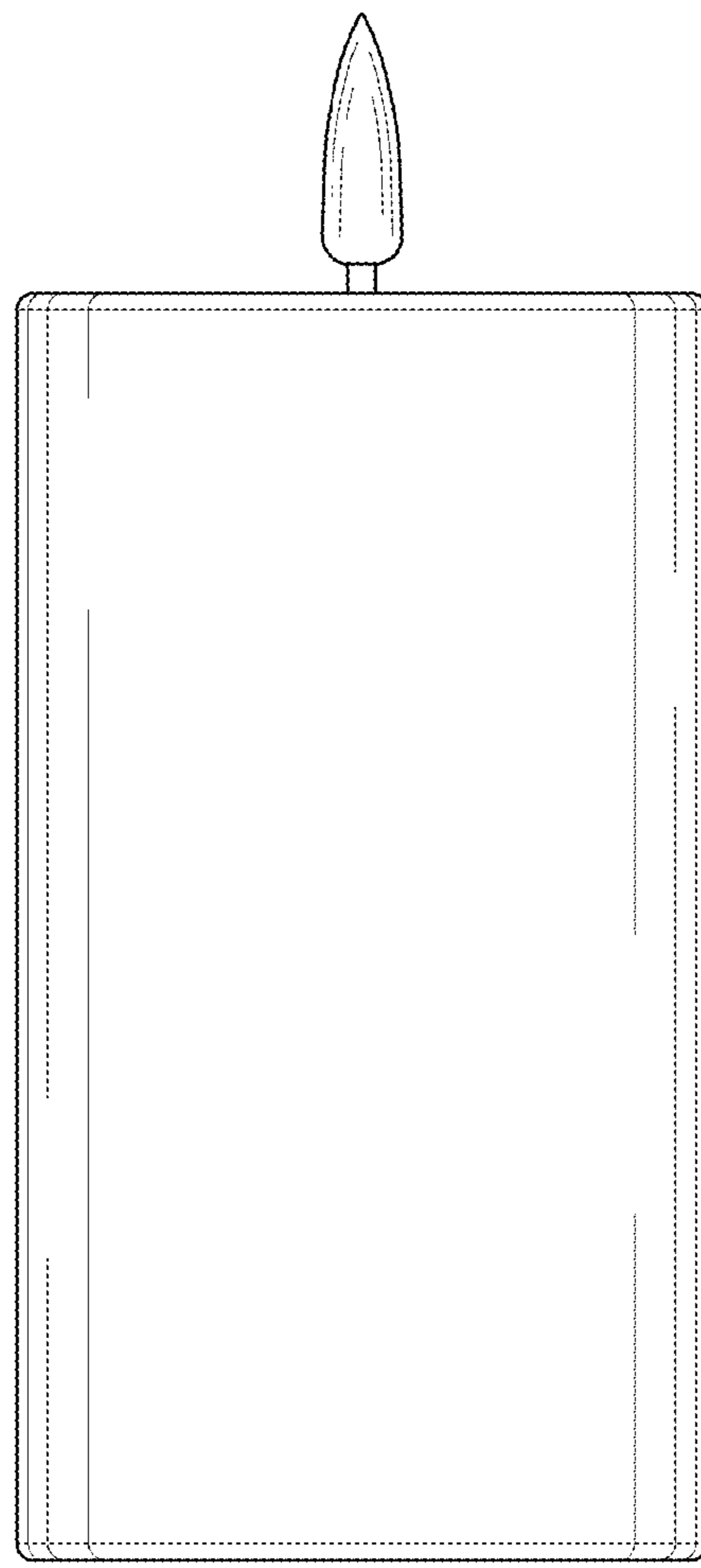


Fig-2

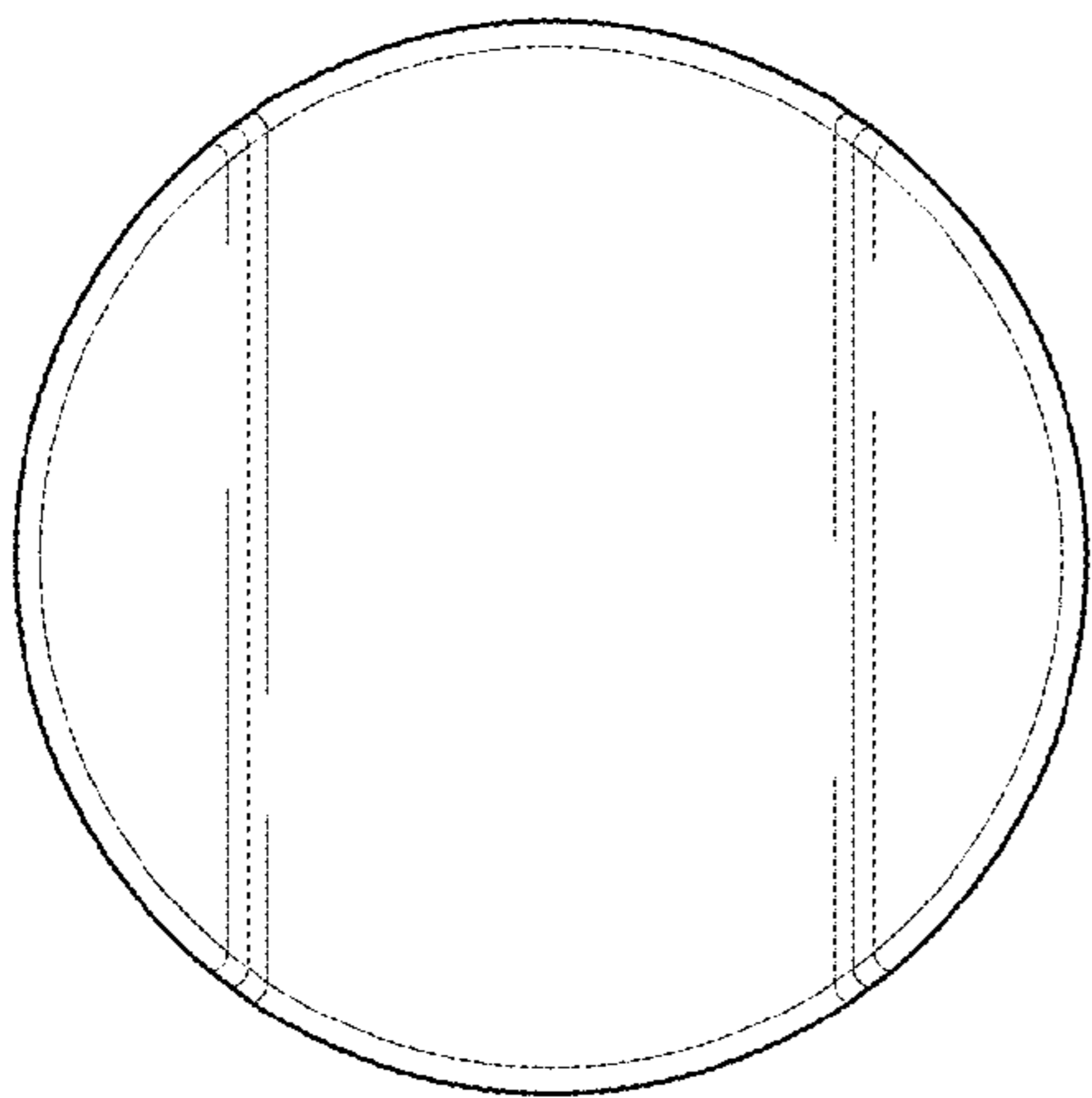


Fig-3

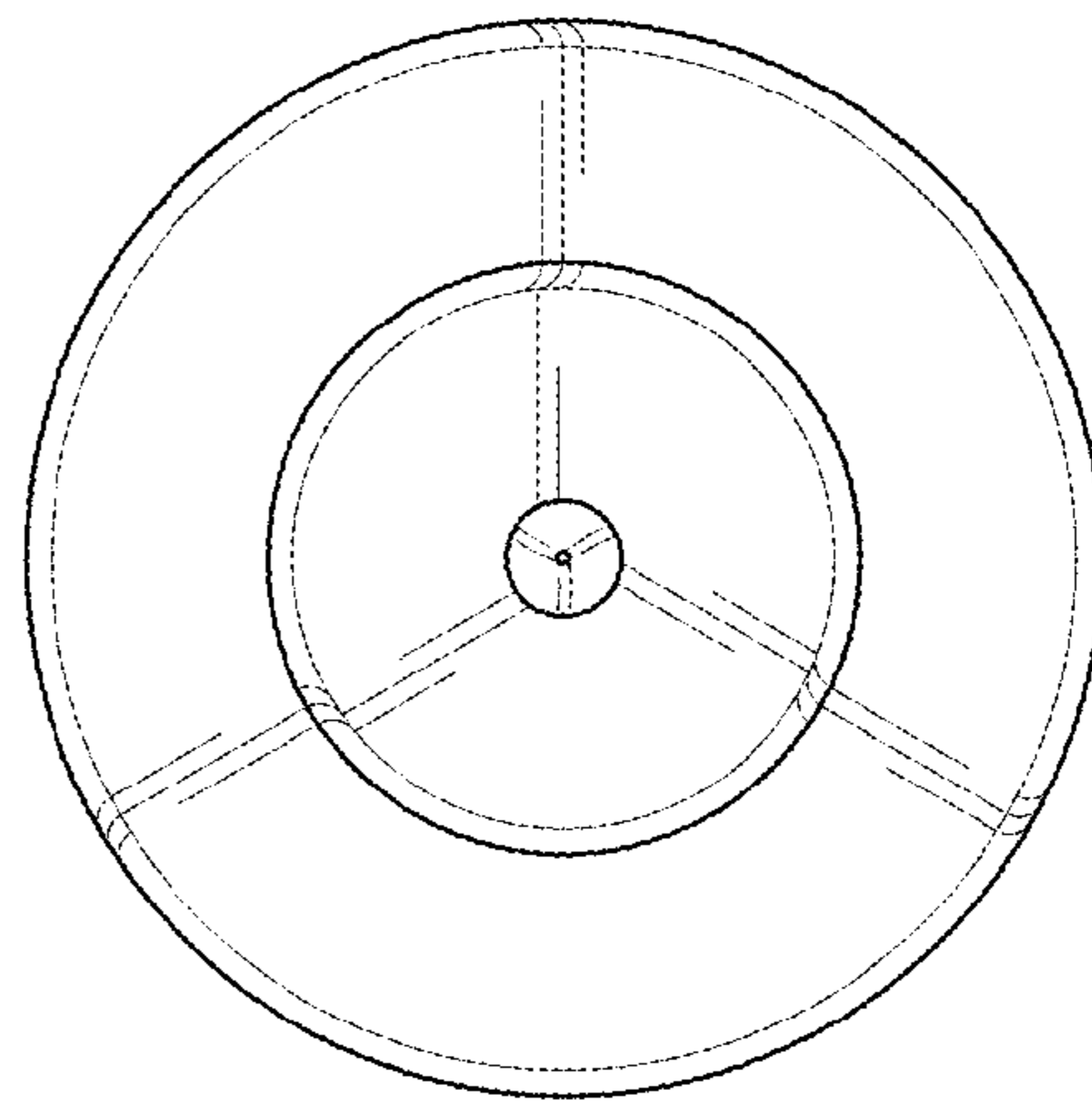


Fig-4