



US00D945654S

(12) **United States Design Patent** (10) **Patent No.:** **US D945,654 S**
Su (45) **Date of Patent:** **** Mar. 8, 2022**

(54) **FLOOR TILE**

(71) Applicants: **INCSTORES LLC**, Mesa, AZ (US);
Honyao Newtech Co., Ltd., Tainan (TW)

(72) Inventor: **Guo-Ren Su**, Tainan (TW)

(73) Assignees: **INCSTORES LLC**, Mesa, AZ (US);
HONYAO NEWTECH CO., LTD., Tainan (TW)

(**) Term: **15 Years**

(21) Appl. No.: **29/722,048**

(22) Filed: **Jan. 24, 2020**

(51) **LOC (13) Cl.** **25-01**

(52) **U.S. Cl.**
USPC **D25/163**

(58) **Field of Classification Search**
USPC D25/163, 158
CPC E04F 11/09; E04F 11/104; E04F 11/112;
E04F 15/02405; E04F 15/02172; E04C
2/324; E04C 2/423
See application file for complete search history.

(56) **References Cited**

U.S. PATENT DOCUMENTS

D456,533	S *	4/2002	Moller, Jr.	D25/163
D596,320	S *	7/2009	Cantley	D25/158
9,133,628	B2 *	9/2015	Moller, Jr.	E04F 15/225
2004/0226242	A1 *	11/2004	Moller, Jr.	E04F 15/02172
					52/384
2006/0265975	A1 *	11/2006	Geffe	E04F 15/10
					52/177
2011/0185658	A1 *	8/2011	Cerny	E01C 5/005
					52/302.1

(Continued)

Primary Examiner — Doris Clark

(74) *Attorney, Agent, or Firm* — Pequignot + Myers;
Matthew A. Pequignot

(57) **CLAIM**

The ornamental design for a floor tile, as substantially shown and described.

DESCRIPTION

The file of this patent contains at least one drawing/photograph executed in color. Copies of this patent with color drawing(s)/photograph(s) will be provided by the Office upon request and payment of the necessary fee.

FIG. 1 is front perspective view of the floor tile showing the new design thereof.

FIG. 2 is a rear perspective view of the floor tile shown in FIG. 1.

FIG. 3 is a top plan view of the floor tile.

FIG. 4 is a bottom plan view of the floor tile.

FIG. 5 is a first-side view of the floor tile.

FIG. 6 is a second-side view of the floor tile.

FIG. 7 is a third-side view of the floor tile.

FIG. 8 is a fourth-side view of the floor tile.

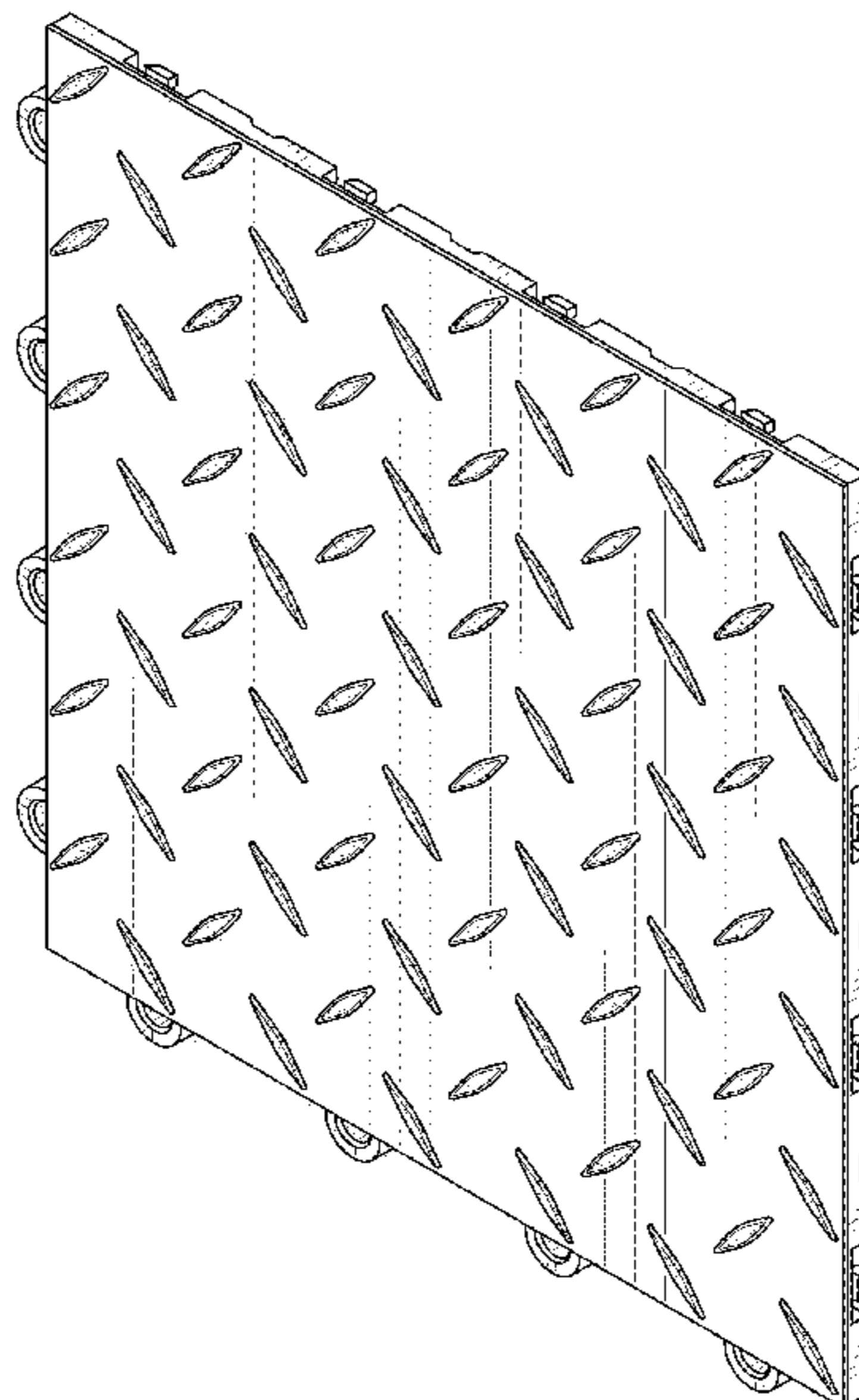
FIG. 9 is an enlargement of the encircled corner area in the side view of the floor tile shown in FIG. 8; and,

FIG. 10 is an alternative embodiment of the floor tile in which the top of the tile has a color, represented in the figure as cross-hatching, which is different than the color of the bottom of the tile.

The tile edges visible in FIGS. 5-8 each have an identical beveled edge as shown in the enlarged exemplar view depicted in FIG. 9. The cross-hatching depicted in FIG. 10 is not surface ornamentation but represents a color, which is different than the color of the bottom portion of the tile. Although applicants claim, in FIG. 10, a tile having different colors on the top and bottom of the tile, with the treads sharing the same color of the bottom of the tile, no claim is made to any specific color.

The broken lines form no part of the claimed design.

1 Claim, 10 Drawing Sheets
(10 of 10 Drawing Sheet(s) Filed in Color)



(56)

References Cited

U.S. PATENT DOCUMENTS

2011/0252730 A1* 10/2011 Rosan E04F 15/02038
52/302.1
2013/0071625 A1* 3/2013 Masanek, Jr. B32B 3/263
428/172

* cited by examiner

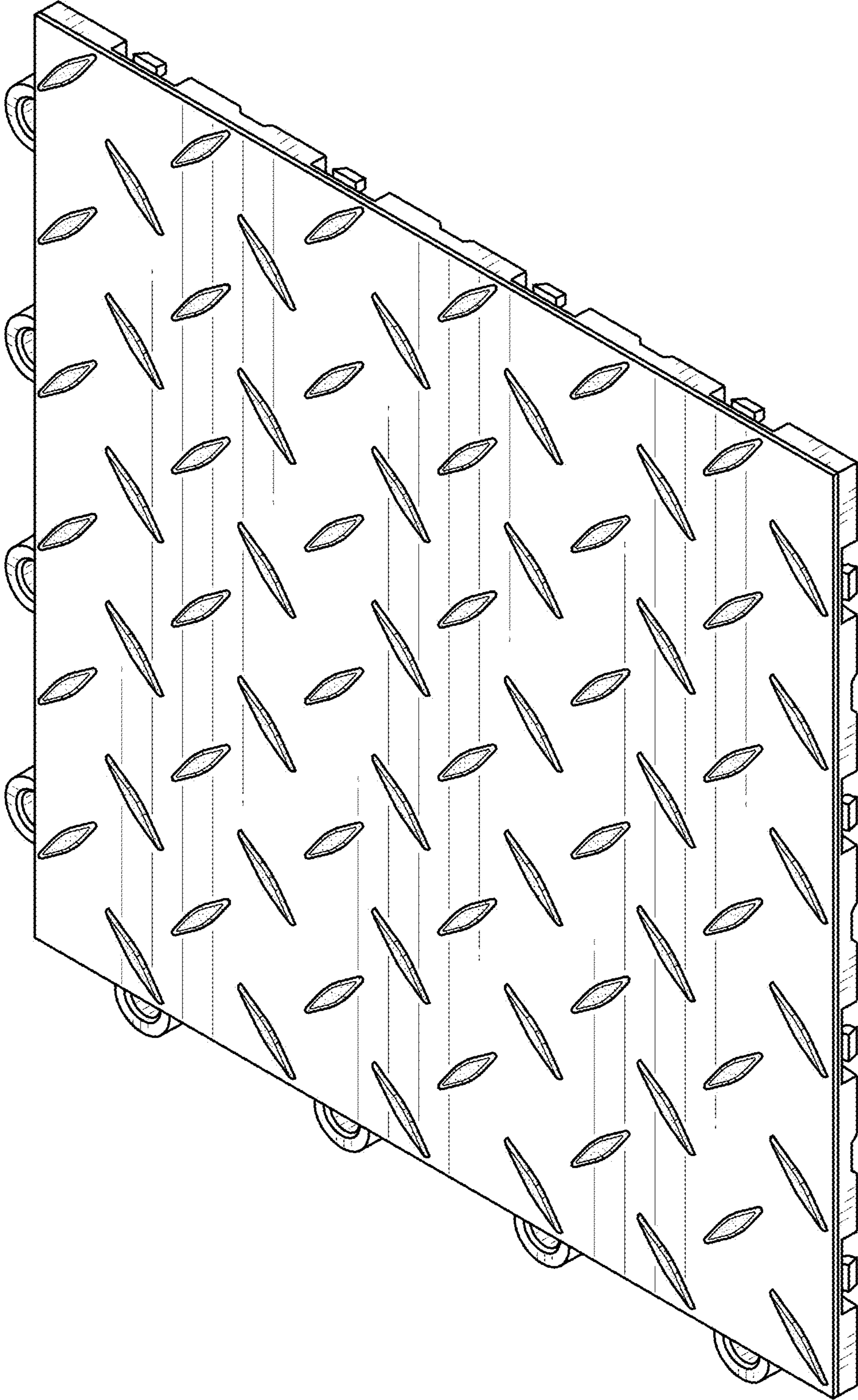


FIG. 1

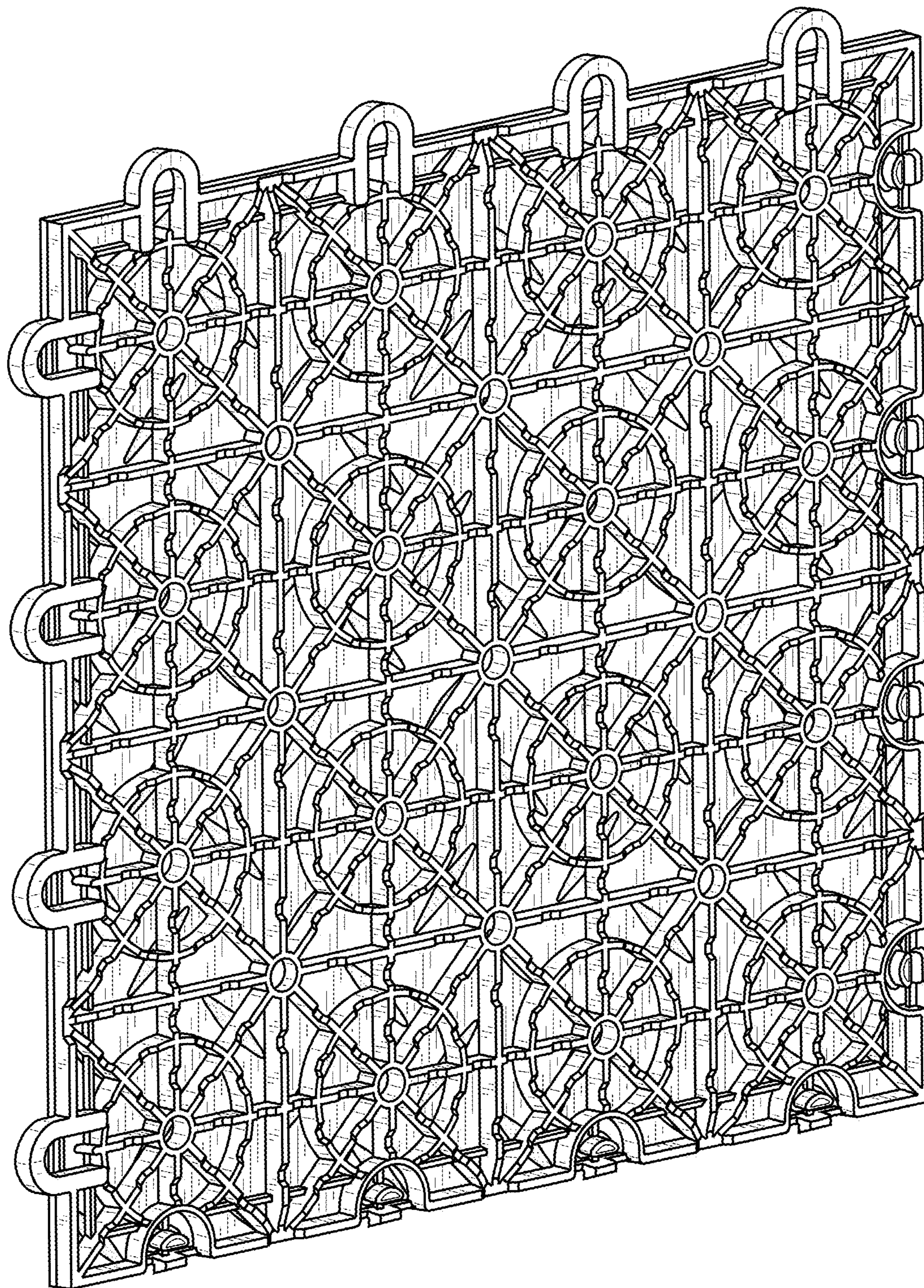


FIG. 2

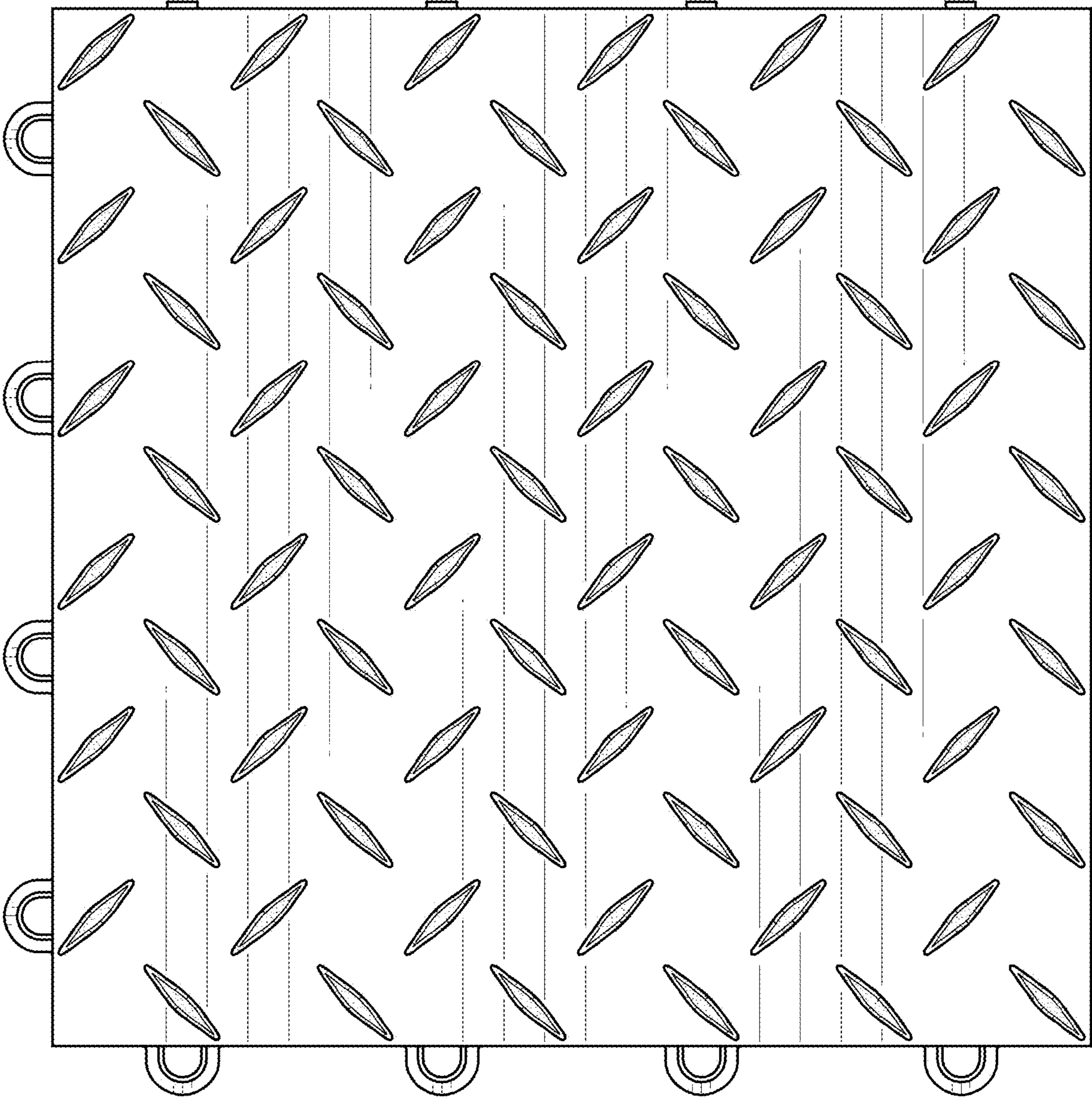


FIG. 3

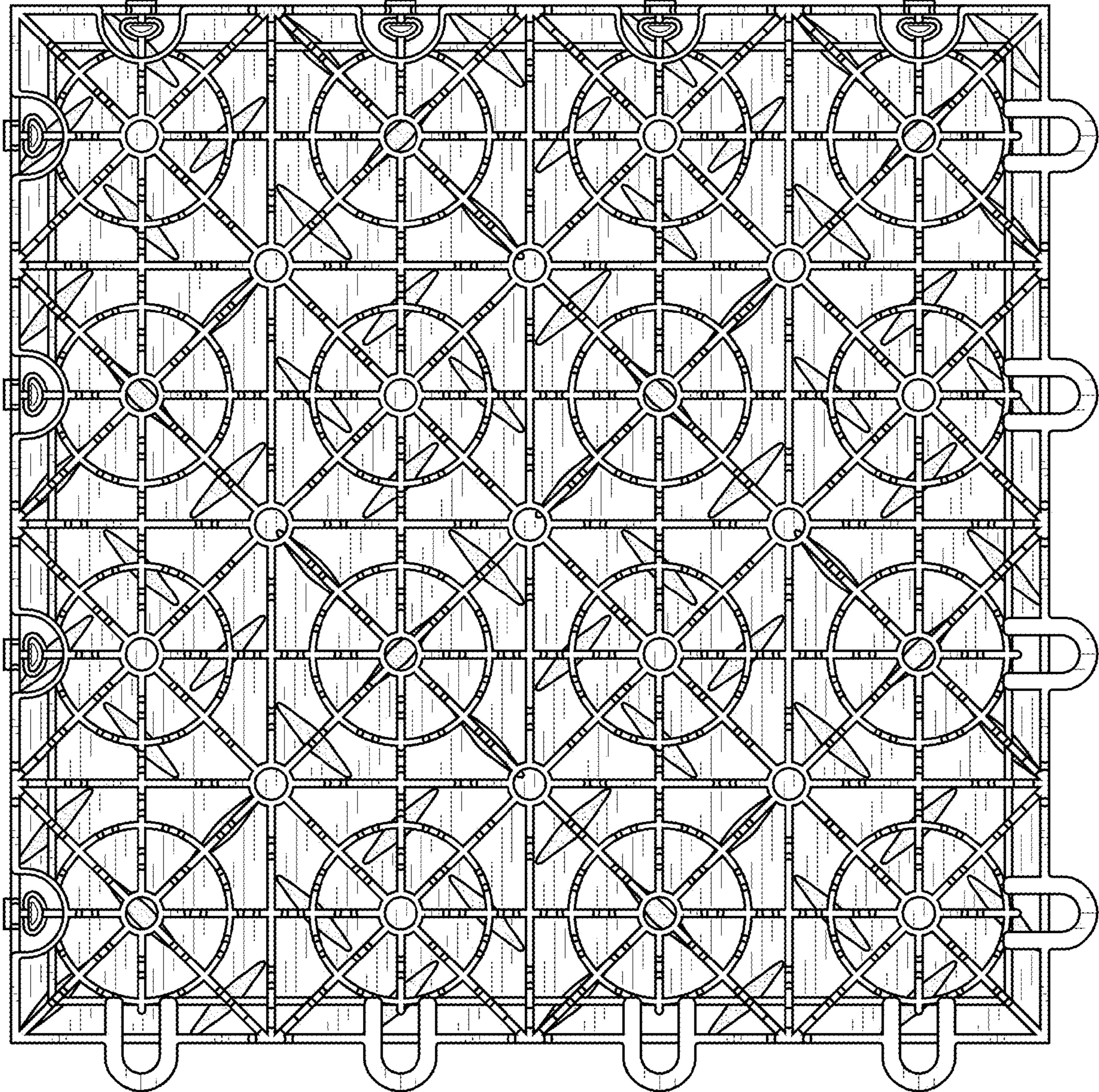


FIG. 4



FIG. 5



FIG. 6

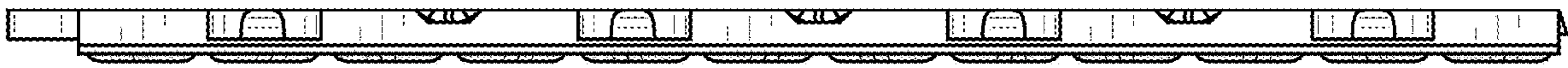


FIG. 7

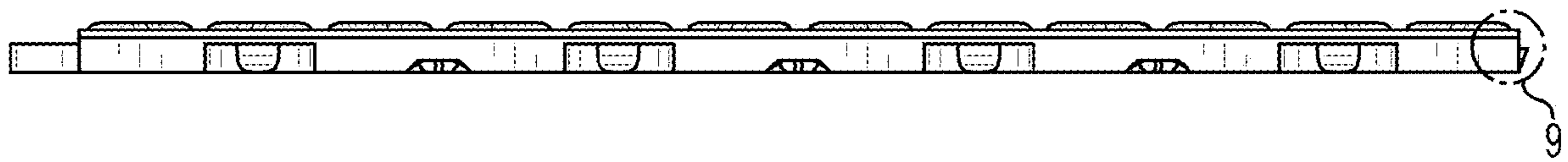


FIG. 8

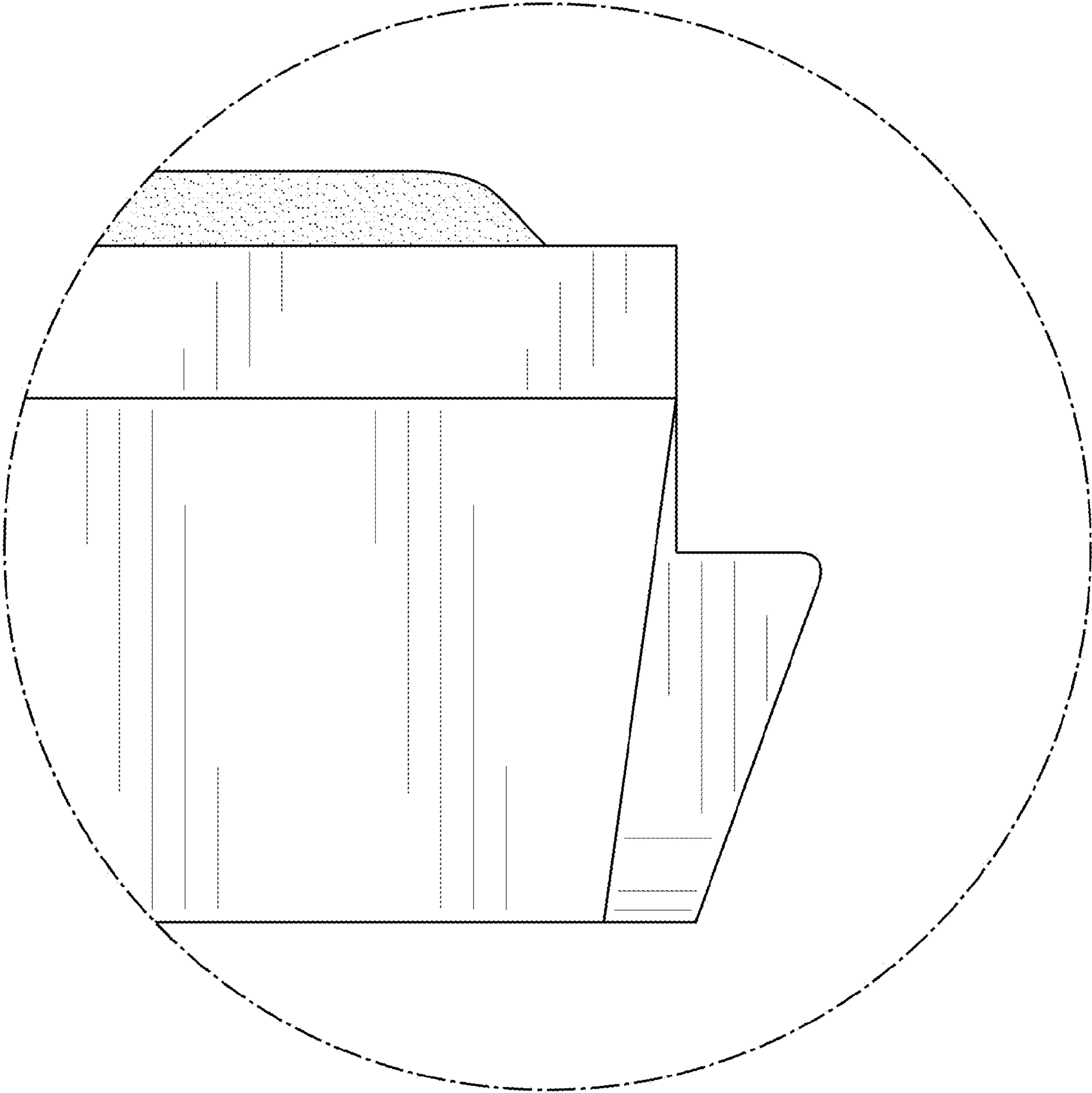


FIG. 9

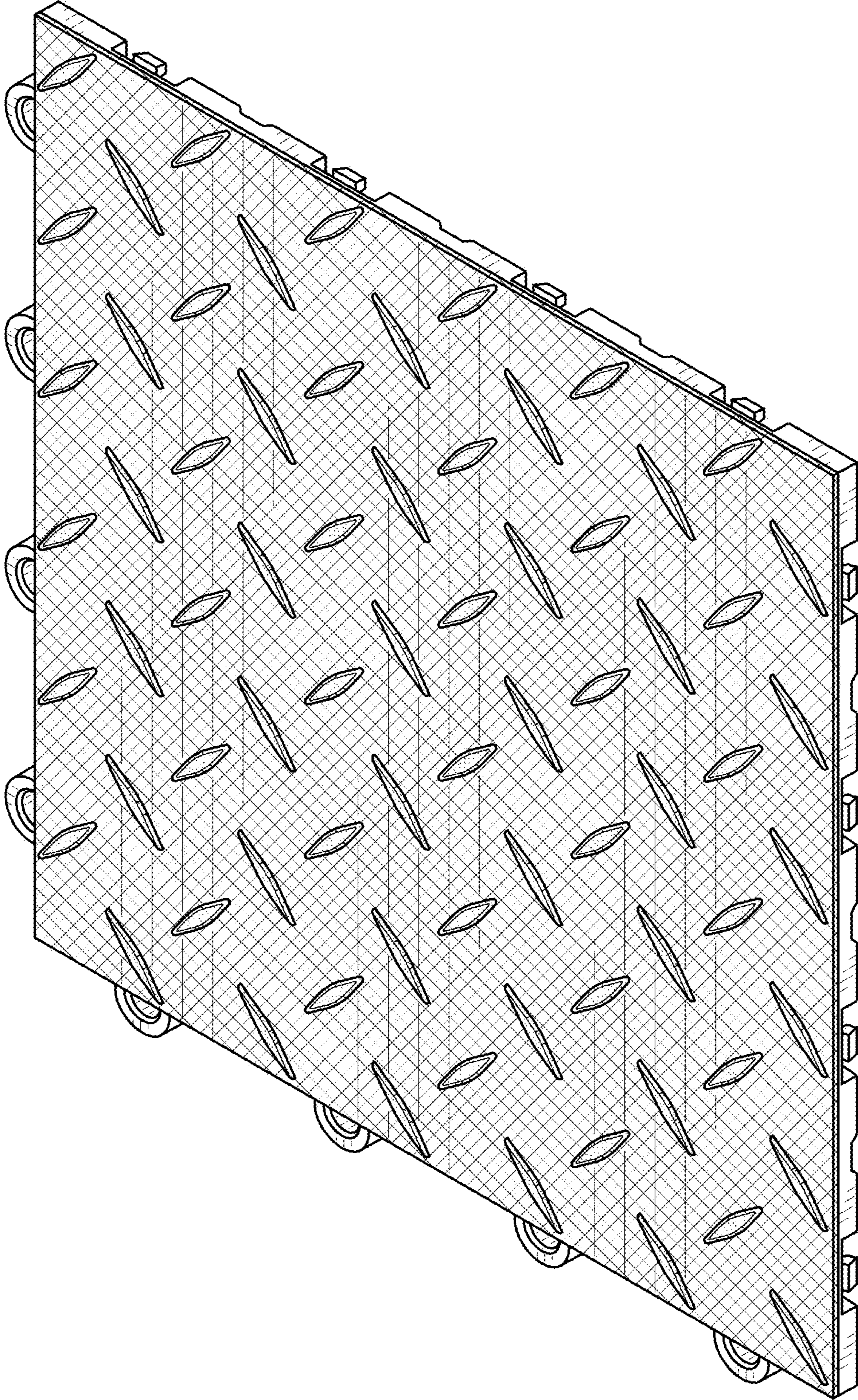


FIG. 10