



US00D945651S

(12) **United States Design Patent**
Kim

(10) **Patent No.:** **US D945,651 S**
(45) **Date of Patent:** **** Mar. 8, 2022**

(54) **ROOFING PANEL**
(71) Applicant: **Dae Han Steel Co., Ltd,**
Chungcheongnam-do (KR)
(72) Inventor: **Sang Guk Kim,** Seoul (KR)
(**) Term: **15 Years**
(21) Appl. No.: **35/510,096**
(22) Filed: **Feb. 17, 2020**
(80) **Hague Agreement Data**
Int. Filing Date: **Feb. 17, 2020**
Int. Reg. No.: **DM/207437**
Int. Reg. Date: **Feb. 17, 2020**
Int. Reg. Pub. Date: **Aug. 21, 2020**

3,037,592 A * 6/1962 Shipley E04C 2/3405
D25/141
3,401,493 A * 9/1968 Lindner E04D 3/351
52/309.8
3,520,100 A * 7/1970 Webb E04D 3/24
52/534
3,667,185 A * 6/1972 Maurer E04D 3/24
52/537
3,906,696 A * 9/1975 Poter E04F 13/0876
52/536
D238,898 S * 2/1976 Landis D25/119
4,222,210 A * 9/1980 Hanstein E04D 3/08
52/208
4,235,658 A * 11/1980 Klingel B05D 7/02
156/244.12
4,278,071 A * 7/1981 Brill-Edwards E04B 7/20
126/622

(Continued)

OTHER PUBLICATIONS

Contact Grid Wallpaper (available online Jun. 12, 2016) Retrieved from the internet Jun. 22, 2021 from URL: https://www.burkedecor.com/products/contact-grid-wallpaper-by-ingrid-mika-for-miltonking.*

(Continued)

Primary Examiner — Richard Kearney

(51) **LOC (13) Cl.** **25-01**
(52) **U.S. Cl.**
USPC **D25/141**
(58) **Field of Classification Search**
USPC D8/373; D10/113.3; D21/484, 485, 486,
D21/489, 491, 494, 499; D25/38.1, 48.2,
D25/48.4, 60, 112, 113, 114, 115, 116,
D25/118, 119, 136, 138, 140, 141, 134,
D25/156, 163, 199
CPC E04D 3/00; E04D 3/02; E04D 3/04; E04D
3/08; E04D 3/18; E04D 3/24; E04D 3/26;
E04D 3/28; E04D 3/30; E04D 3/32;
E04D 3/35; E04D 3/352; E04D 2003/285;
E04D 2003/0818
See application file for complete search history.

(57) **CLAIM**

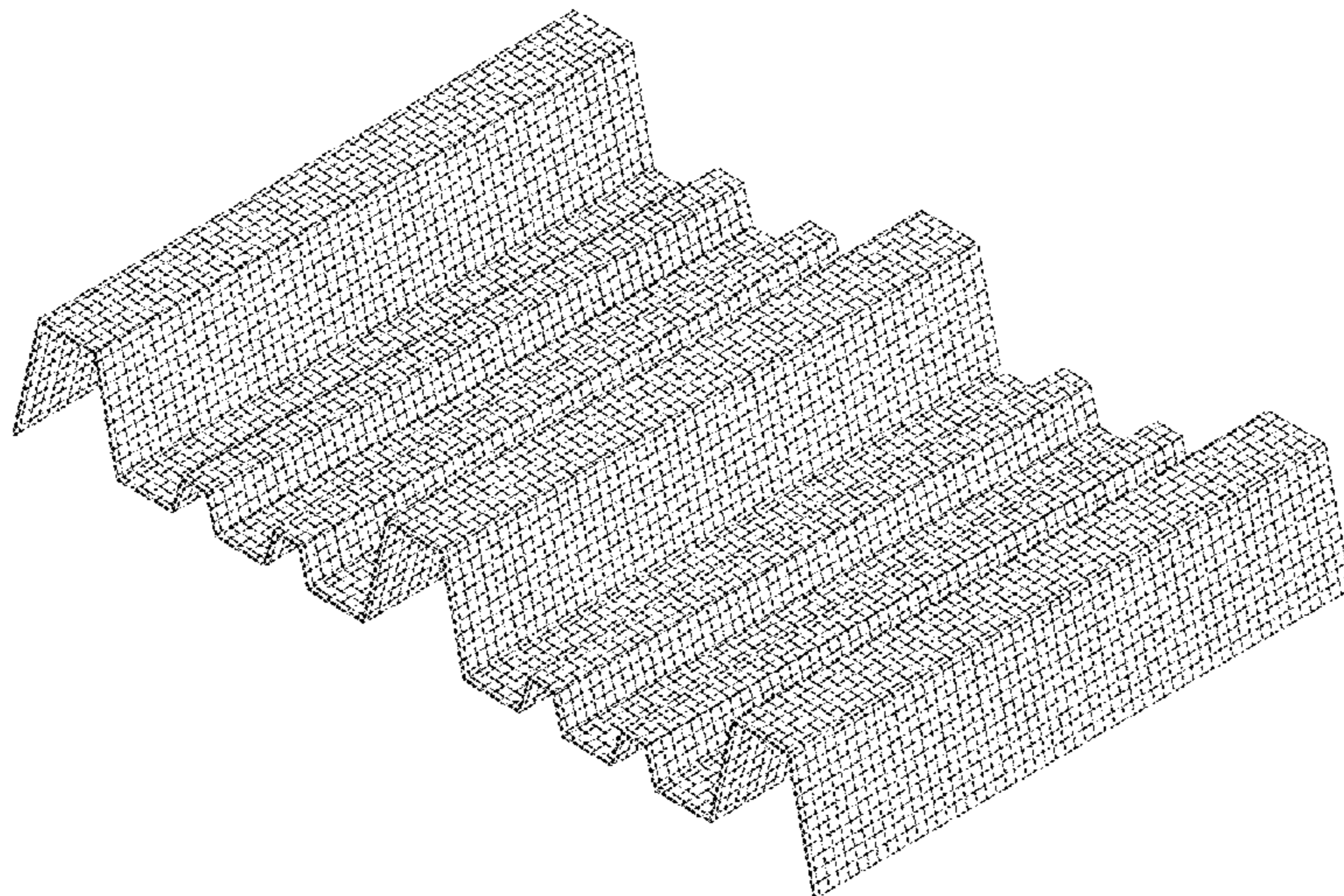
The ornamental design for a roofing panel, as shown and described.

DESCRIPTION

- 1. Roofing panel
- 1.1 : Perspective
- 1.2 : Front
- 1.3 : Back
- 1.4 : Top
- 1.5 : Bottom
- 1.6 : Left
- 1.7 : Right

1 Claim, 7 Drawing Sheets

(56) **References Cited**
U.S. PATENT DOCUMENTS
2,270,218 A * 1/1942 Palmer E04D 3/30
52/469
2,387,487 A * 10/1945 Abeles E04D 3/24
52/11
2,809,017 A * 10/1957 Wong E04H 17/143
256/73



(56)

References Cited

U.S. PATENT DOCUMENTS

4,283,451 A * 8/1981 Abrahami E04C 2/54
156/71
4,358,503 A * 11/1982 Homeyer B29C 70/00
428/40.1
5,253,461 A * 10/1993 Janoski E04D 11/02
156/71
5,294,472 A * 3/1994 Arnold E04C 2/34
428/119
5,402,572 A * 4/1995 Schulte E04D 3/3608
29/897.1
5,612,111 A * 3/1997 Lin B32B 15/18
428/71
5,765,329 A * 6/1998 Huang E04D 3/30
165/49
5,842,315 A * 12/1998 Lin B32B 3/18
52/309.9
5,972,475 A * 10/1999 Beekman E04C 2/543
428/167
D426,321 S * 6/2000 Lockwood D25/138
6,415,581 B1 * 7/2002 Shipman E04B 5/40
428/593
6,430,893 B1 * 8/2002 Kindon E04C 2/543
52/745.2
D511,390 S * 11/2005 Schubert D25/138
D526,726 S * 8/2006 Bragg D25/141
8,936,699 B2 * 1/2015 Noble B32B 3/12
162/194
9,963,879 B2 * 5/2018 Thiagarajan E04C 2/543
D831,234 S * 10/2018 Clayton D25/141
D851,782 S * 6/2019 Mann D25/38.1
10,584,490 B2 * 3/2020 Moudgil E04D 3/06
10,934,716 B2 * 3/2021 Billings B29C 44/321
2005/0112331 A1 * 5/2005 Donea B32B 27/18
428/166
2007/0248792 A1 * 10/2007 Conterno B32B 27/08
428/116
2008/0083183 A1 * 4/2008 Rymell E04D 13/1681
52/408

2008/0110108 A1 * 5/2008 Maas A01G 9/1469
52/171.3
2009/0100773 A1 * 4/2009 Flynn E04D 3/28
52/306
2009/0241443 A1 * 10/2009 Flynn E04D 3/352
52/235
2011/0265407 A1 * 11/2011 Bryson E04D 1/28
52/302.1
2012/0186633 A1 * 7/2012 Carolan E04D 3/352
136/251
2013/0052429 A1 * 2/2013 Thiagarajan E04C 2/296
428/188
2014/0342130 A1 * 11/2014 Kim E04D 3/28
428/174

OTHER PUBLICATIONS

Corrugated Polycarbonate Sheet for More Light (available online Mar. 13, 2017) Retrieved from the internet Jun. 22, 2021 from URL: <https://web.archive.org/web/20170503160236/http://www.polycarbonatesheetpanel.com:80/polycarbonate-sheet/corrugated-polycarbonate-sheets.html>.*

Corrugated Polycarbonate Sheets (available online Dec. 10, 2018) Retrieved from the internet Jun. 22, 2021 from URL: <https://web.archive.org/web/20181210064216/https://www.exceliteplas.com/corrugated-polycarbonate-sheet/>.*

Material-Solutions-Brochure (available online) Retrieved from the internet Jun. 22, 2021 from URL: Brettmartin.com.*

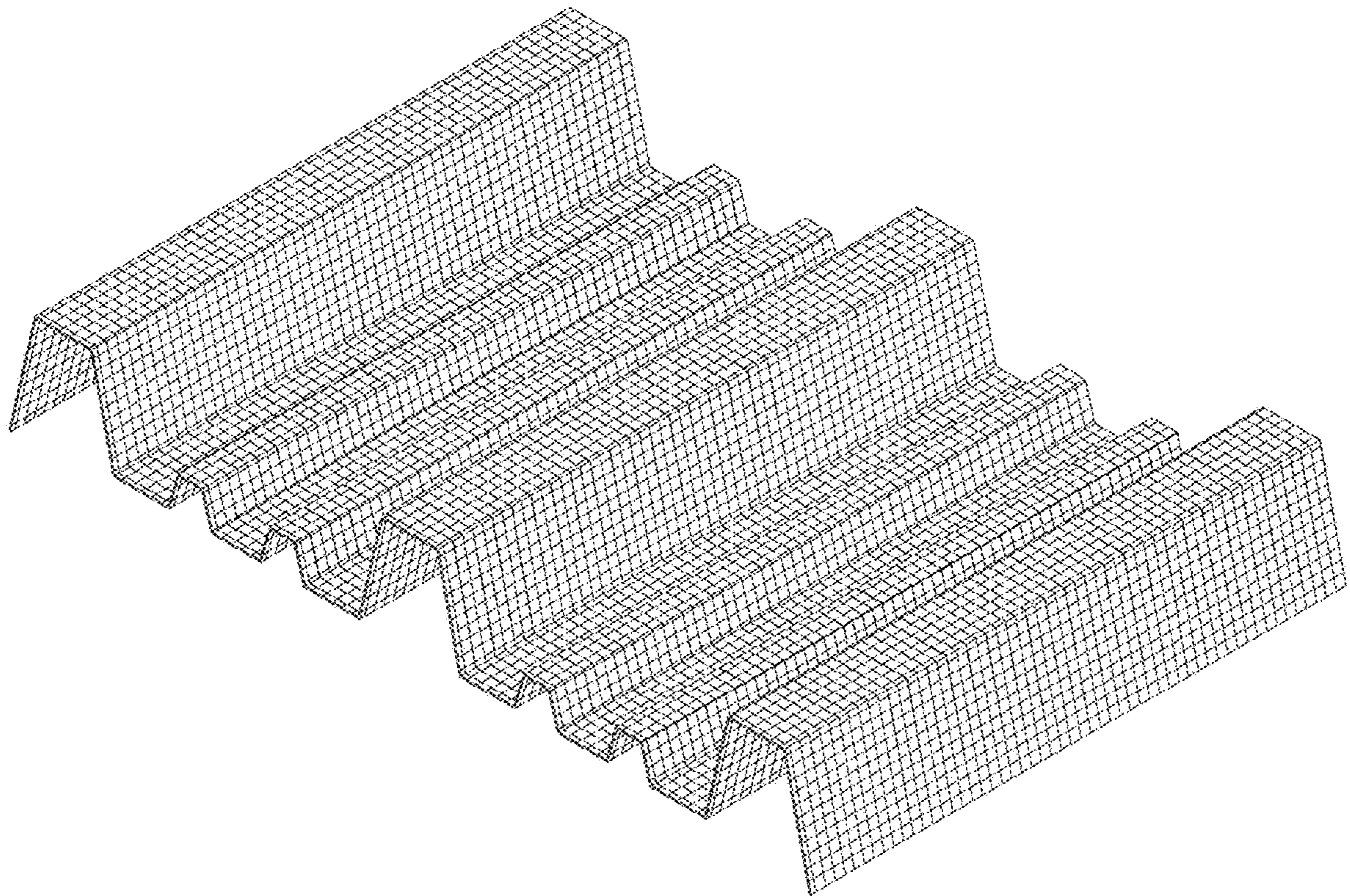
Multiwall Polycarbonate Sheet _ Multiwall Hollow Sheet (available online Oct. 19, 2016) Retrieved from the internet Jun. 22, 2021 from URL: <https://web.archive.org/web/20161019221711/http://www.exceliteplas.com/product/multiwall-polycarbonate-sheet>.*

Corrugated_Roof_Wall_Panels (available online Jun. 28, 2015) Retrieved from the internet Jul. 2, 2021 from URL: <https://web.archive.org/web/20150628004545/http://www.riversidesheetmetal.net:80/metal-roofing/panels/corrugated/>[Jul. 2, 2021 11:42:47 AM].*

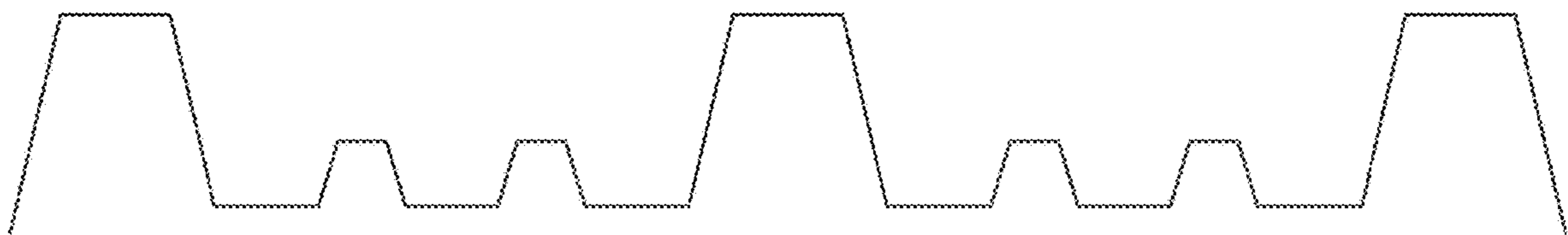
Corrugated_Roof_Wall_Panels (available online Jun. 28, 2015) Retrieved from the internet Jul. 2, 2021 from URL: <https://www.riversidesheetmetal.net/metal-roofing/panels/corrugated/>.*

* cited by examiner

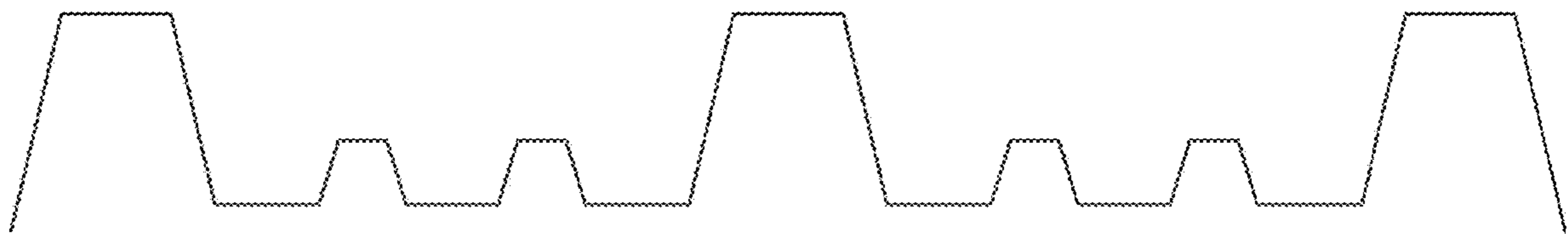
1.1



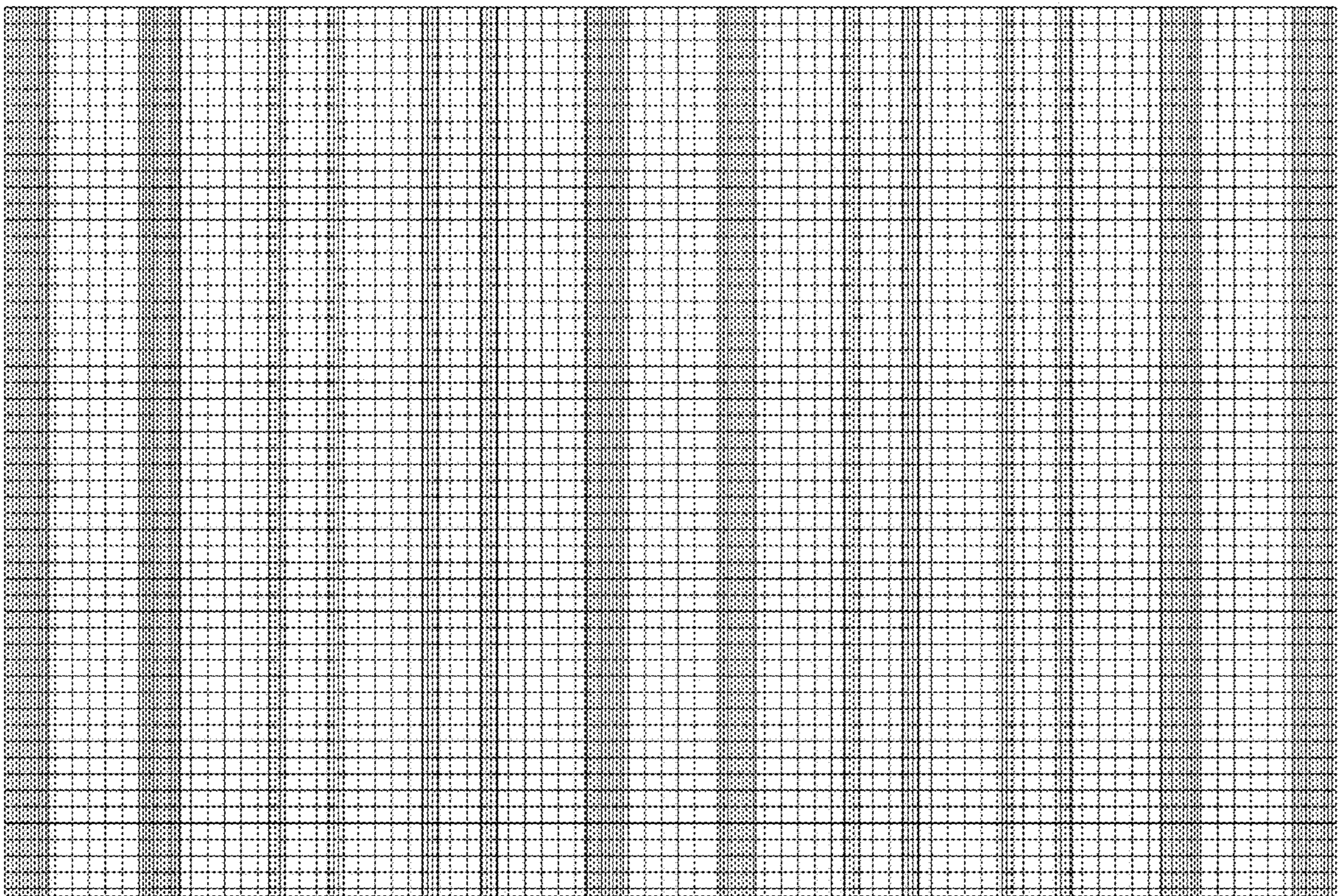
1.2



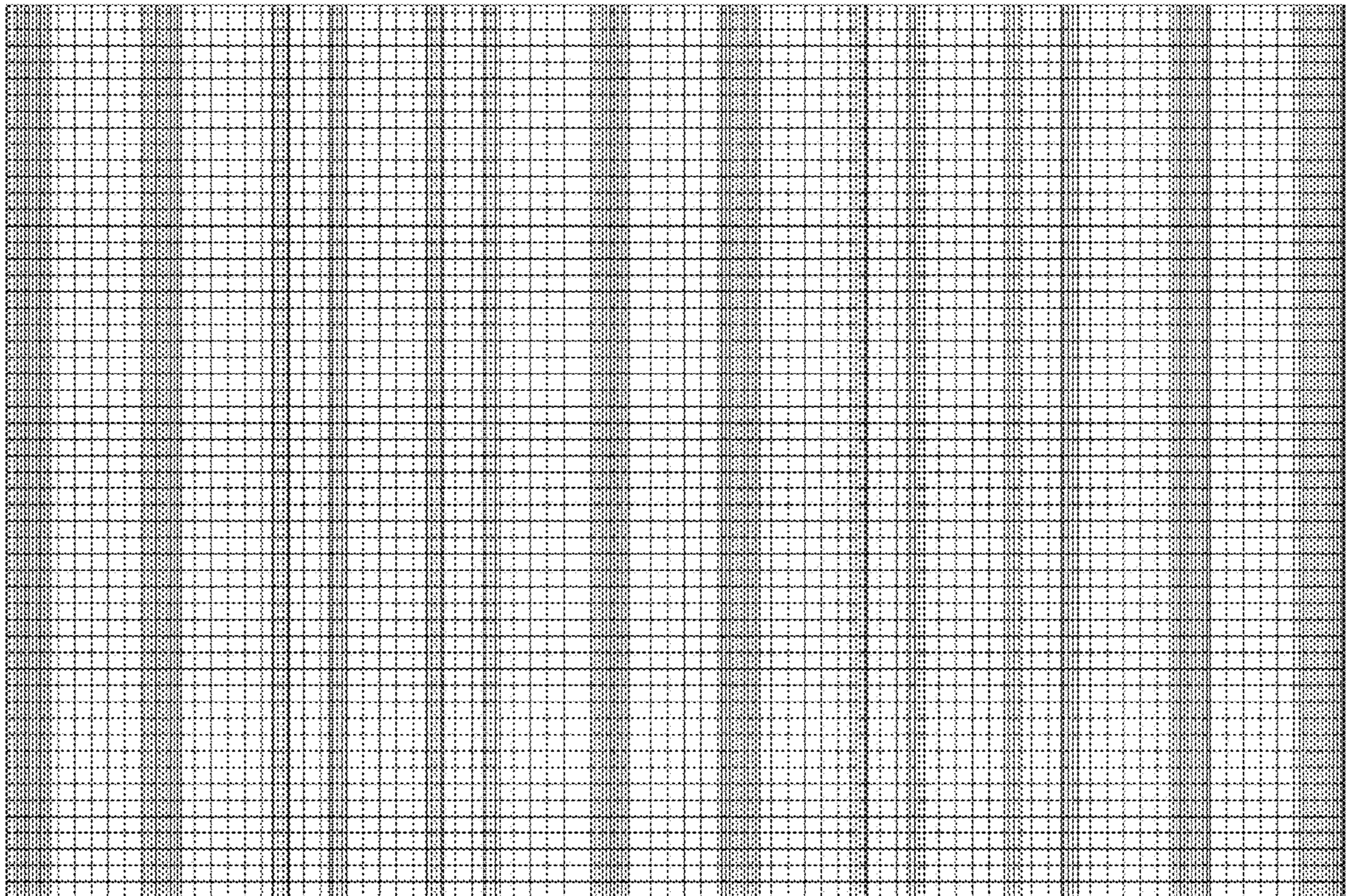
1.3



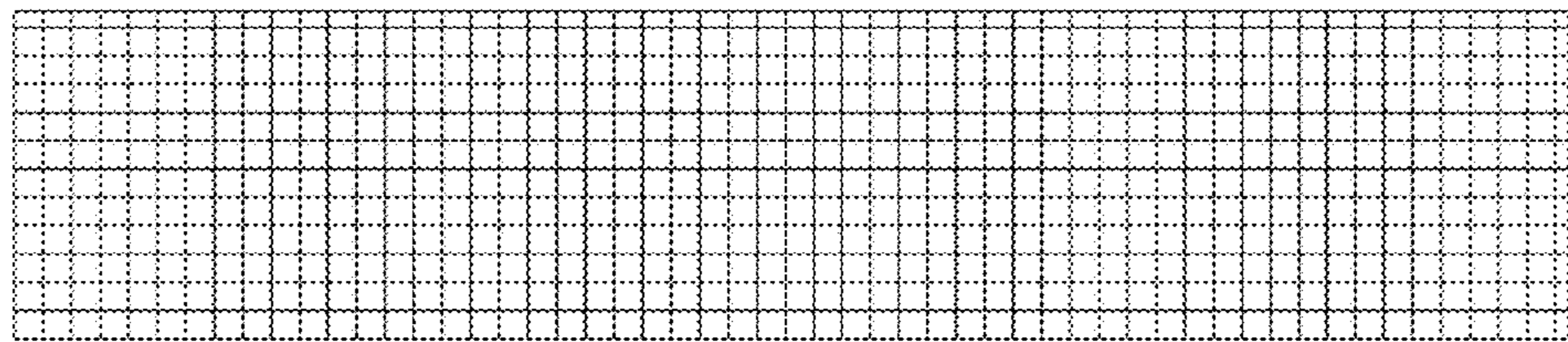
1.4



1.5



1.6



1.7

