



US00D945649S

(12) **United States Design Patent**
Shikhavtsov

(10) **Patent No.:** **US D945,649 S**
(45) **Date of Patent:** **** Mar. 8, 2022**

(54) **EXTERNAL THERMAL INSULATION
COMPOSITE PANEL**

(71) Applicant: **Volodymyr Shikhavtsov, Kyiv (UA)**

(72) Inventor: **Volodymyr Shikhavtsov, Kyiv (UA)**

(**) Term: **15 Years**

(21) Appl. No.: **35/510,372**

(22) Filed: **Mar. 13, 2020**

(80) **Hague Agreement Data**

Int. Filing Date: **Mar. 13, 2020**

Int. Reg. No.: **DM/208533**

Int. Reg. Date: **Mar. 13, 2020**

Int. Reg. Pub. Date: **Sep. 18, 2020**

(51) **LOC (13) Cl.** **25-01**

(52) **U.S. Cl.**
USPC **D25/138**

(58) **Field of Classification Search**

USPC D21/484, 485, 486, 489, 491, 494, 499,
D21/500; D25/35, 36, 38.1, 48.2-48.4,
D25/60, 112-116, 118, 119, 134, 136,
D25/138, 140-144, 149, 150, 153, 156,
D25/157, 163, 199

CPC E04D 3/00; E04D 3/02; E04D 3/04; E04D
3/08; E04D 3/18; E04D 3/24; E04D 3/26;
E04D 3/28; E04D 3/30; E04D 3/32;
E04D 3/35; E04D 3/352; E04D 2003/285;
E04D 2003/0818; E04B 2002/0228; E04B
2/02; E04B 2/18; B28B 1/14; E04F
15/00; E04F 15/04; E04F 15/08; E04F
15/082

See application file for complete search history.

(56) **References Cited**

U.S. PATENT DOCUMENTS

5,103,614 A * 4/1992 Kawaguchi E04F 15/045
52/392
D442,296 S * 5/2001 Kulik D25/138

D442,297 S * 5/2001 Kulik D25/138
D442,706 S * 5/2001 Kulik D25/138
D449,392 S * 10/2001 Kulik D25/138
D539,928 S * 4/2007 Schmidt D25/113
8,112,891 B2 * 2/2012 Pervan B32B 5/26
29/897.3
D674,514 S * 1/2013 Harmon D25/138
D710,034 S 7/2014 Amend
D710,035 S 7/2014 Amend

(Continued)

FOREIGN PATENT DOCUMENTS

DM 079571 5/2013
EM 002323824 11/2014

(Continued)

OTHER PUBLICATIONS

Sandwich Panels (available online) Retrieved from the internet
Sep. 21, 2021 from URL: https://www.bcoms.com/products/roofandwall/sandwichpanels.*

Primary Examiner — Richard Kearney

(57) **CLAIM**

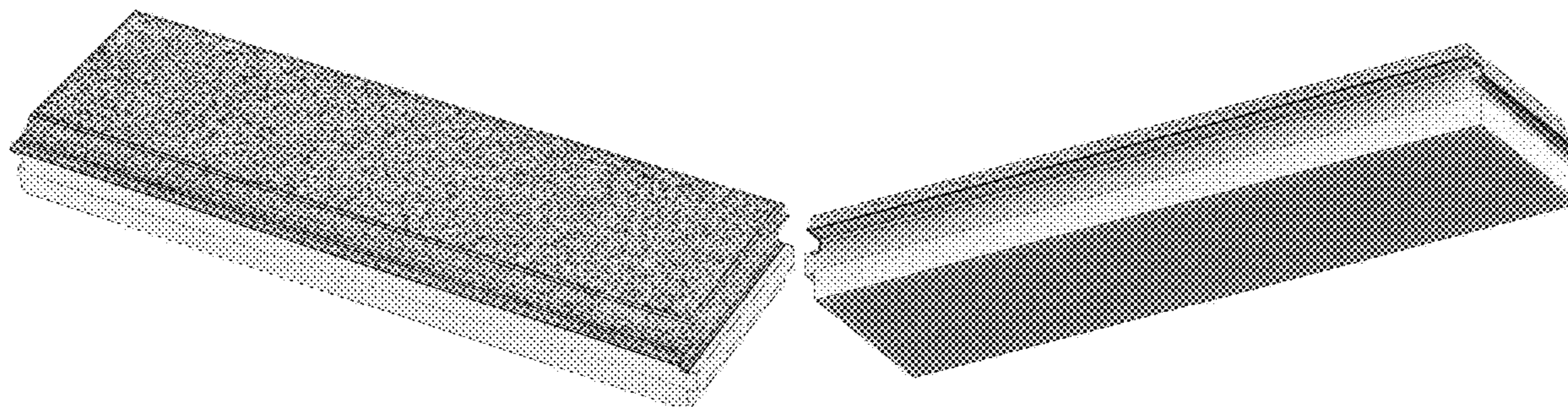
The ornamental design for external thermal insulation composite panel, as shown and described.

DESCRIPTION

- 1. External thermal insulation composite panel
- 1.1 : Top-left perspective view
- 1.2 : Bottom-right perspective view
- 1.3 : Top
- 1.4 : Right
- 1.5 : Back
- 1.6 : Front
- 1.7 : Left

The marble chips pattern is a symbolic marking of the decorative and protective natural/artificial stone-based coating and does not form part of the claimed design; the insulation material pattern is symbolic and does not form part of the claimed design; reproduction.

1 Claim, 7 Drawing Sheets



(56)

References Cited

U.S. PATENT DOCUMENTS

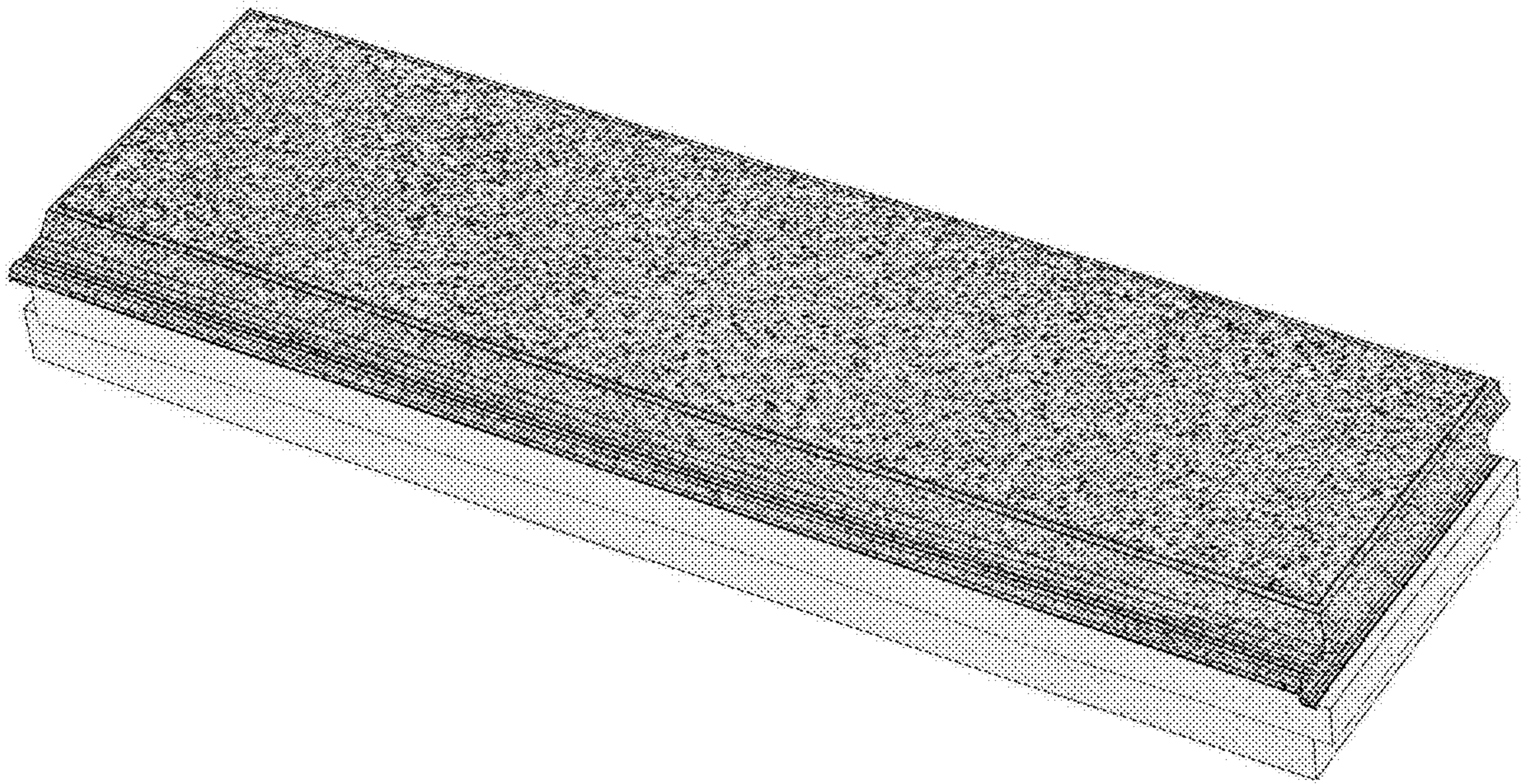
8,833,023 B2 * 9/2014 Masure E04C 2/384
52/309.7
D857,930 S * 8/2019 Vladimirovich D25/140
D858,804 S * 9/2019 Elisary H02S 20/25
D25/140
D876,673 S * 2/2020 Chang D25/138
2021/0131097 A1 * 5/2021 Spina E04B 2/18

FOREIGN PATENT DOCUMENTS

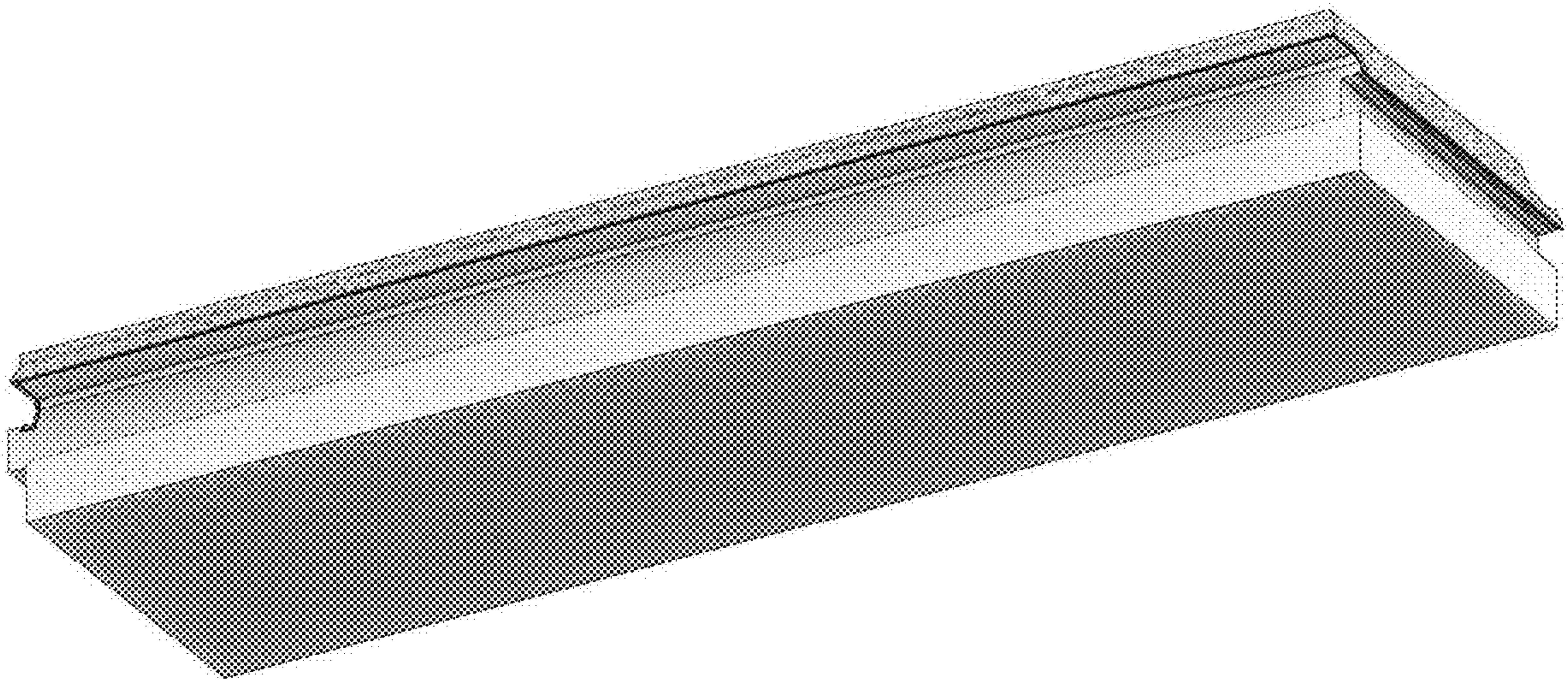
EM 002729640 7/2015
GB RGN-8208533000- * 3/2020
1000

* cited by examiner

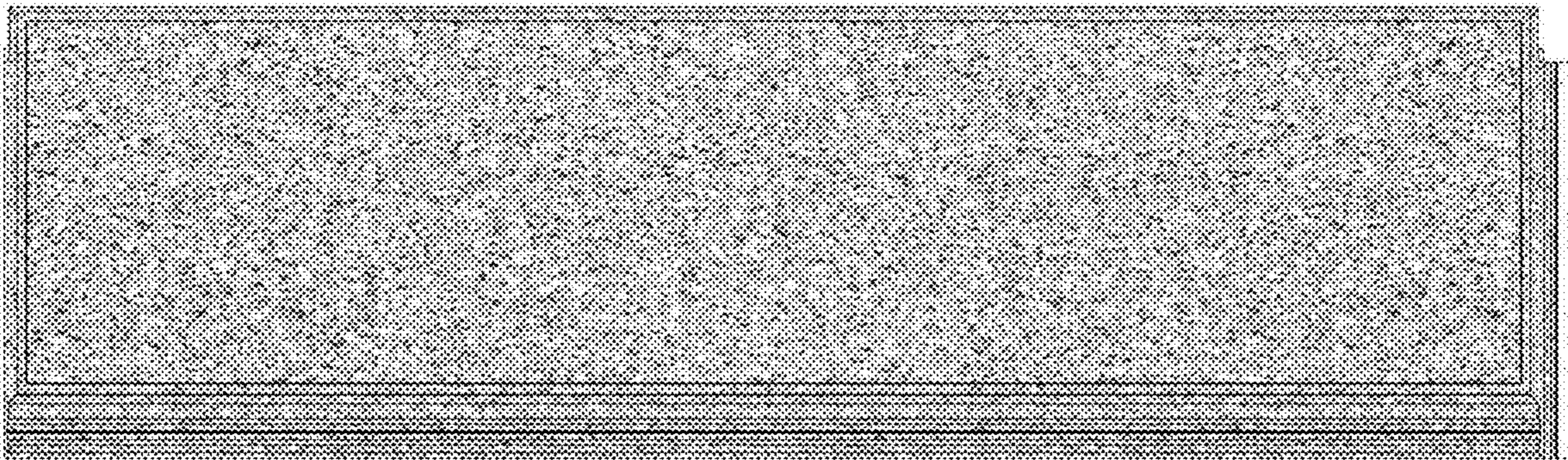
1.1



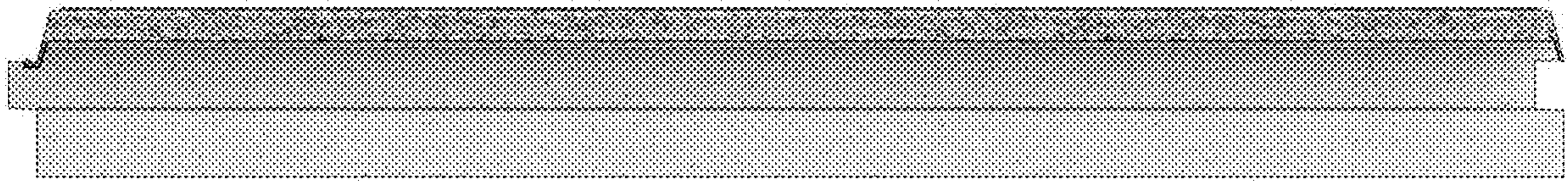
1.2



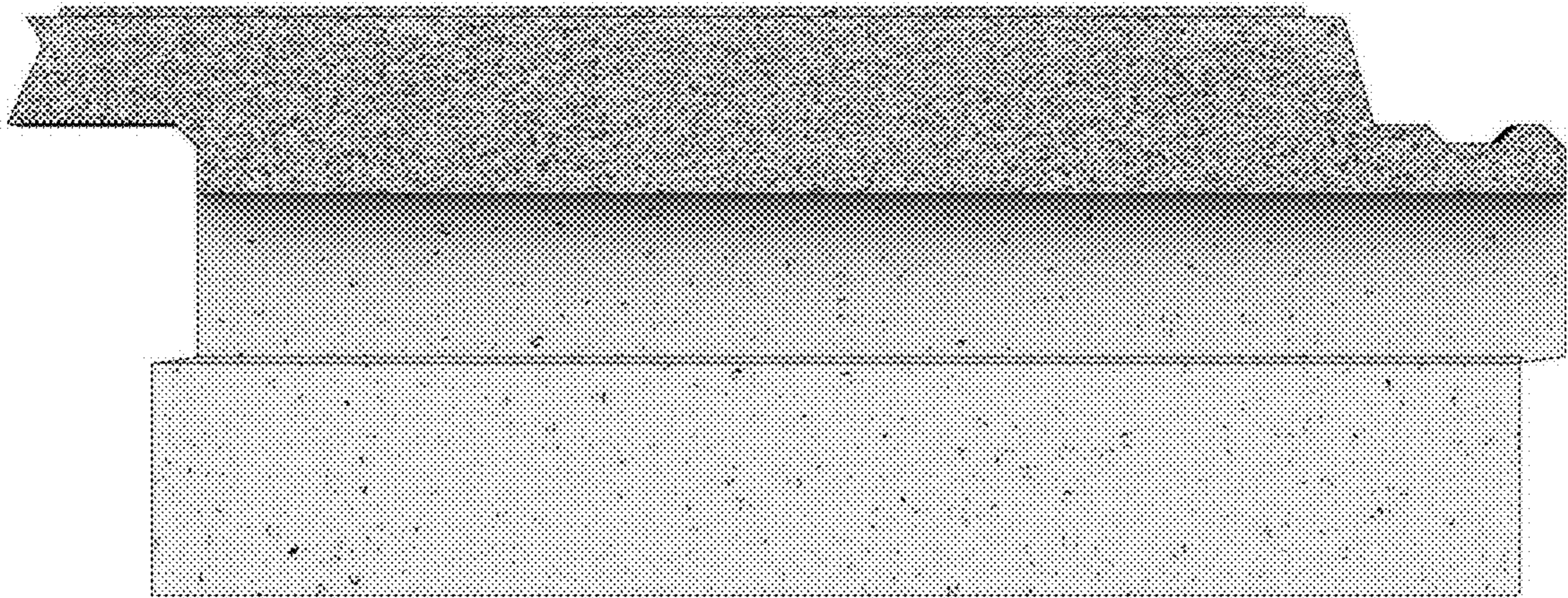
1.3



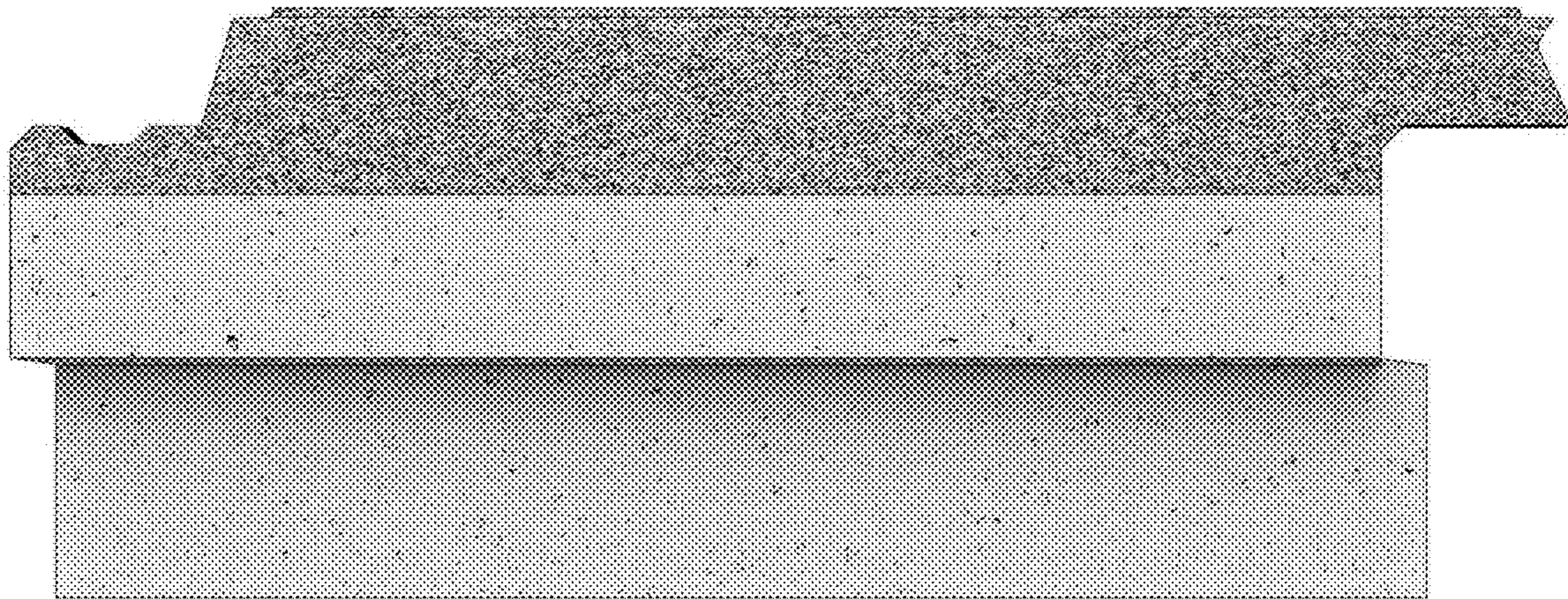
1.4



1.5



1.6



1.7

