



US00D945647S

(12) **United States Design Patent**
Sudo et al.

(10) **Patent No.:** **US D945,647 S**
(45) **Date of Patent:** **** Mar. 8, 2022**

(54) **CONSTRUCTION CLIP**
(71) Applicant: **YOSHINO GYPSUM CO., LTD.**,
Tokyo (JP)
(72) Inventors: **Ushio Sudo**, Tokyo (JP); **Tomoya**
Hasegawa, Tokyo (JP); **Takuji**
Yamashita, Tokyo (JP); **Yusuke**
Watanabe, Tokyo (JP)

4,068,440 A * 1/1978 Lillethorup E04B 1/5818
403/167
4,725,257 A * 2/1988 Barishman A63H 3/14
24/545
D399,013 S * 9/1998 Nguyen D25/133
D440,854 S * 4/2001 Killins D8/14
D442,456 S * 5/2001 Killins D8/88
7,299,597 B2 * 11/2007 Holt E04B 1/41
52/262

(Continued)

(73) Assignee: **YOSHINO GYPSUM CO., LTD.**,
Tokyo (JP)

(**) Term: **15 Years**

(21) Appl. No.: **29/738,991**

(22) Filed: **Jun. 22, 2020**

(30) **Foreign Application Priority Data**

Dec. 25, 2019 (JP) 2019-028874

(51) **LOC (13) Cl.** **25-01**

(52) **U.S. Cl.**
USPC **D25/133**

(58) **Field of Classification Search**
USPC D25/119, 125, 126, 127, 128, 129, 130,
D25/131, 132, 133, 134, 135, 136;
D6/548, 549, 610; D2/865, 866, 872,
D2/875, 876, 877, 878, 879, 880, 881,
D2/882, 883, 884, 885, 886, 887, 888,
D2/891, 893, 895; D8/88, 89, 90, 107
CPC E04B 1/41; E04B 9/30; A63H 3/14; B42D
5/005; B42F 9/00; E04C 2003/0452;
E04C 3/04; F16B 21/086; F16B 2/065;
F16B 5/065; F16B 5/0657; F16B 5/121;
F16L 3/24; Y10T 24/309; Y10T 24/44769
See application file for complete search history.

(56) **References Cited**

U.S. PATENT DOCUMENTS

2,780,850 A * 2/1957 Lief E04B 9/242
52/769
3,357,148 A * 12/1967 Turner E04B 2/7457
52/357

OTHER PUBLICATIONS

U.S. Appl. No. 29/738,987, filed Jun. 22, 2020, Yoshino Gypsum Co., Ltd.

Primary Examiner — Samantha Q Lawrence

(74) *Attorney, Agent, or Firm* — IPUSA, PLLC

(57) **CLAIM**

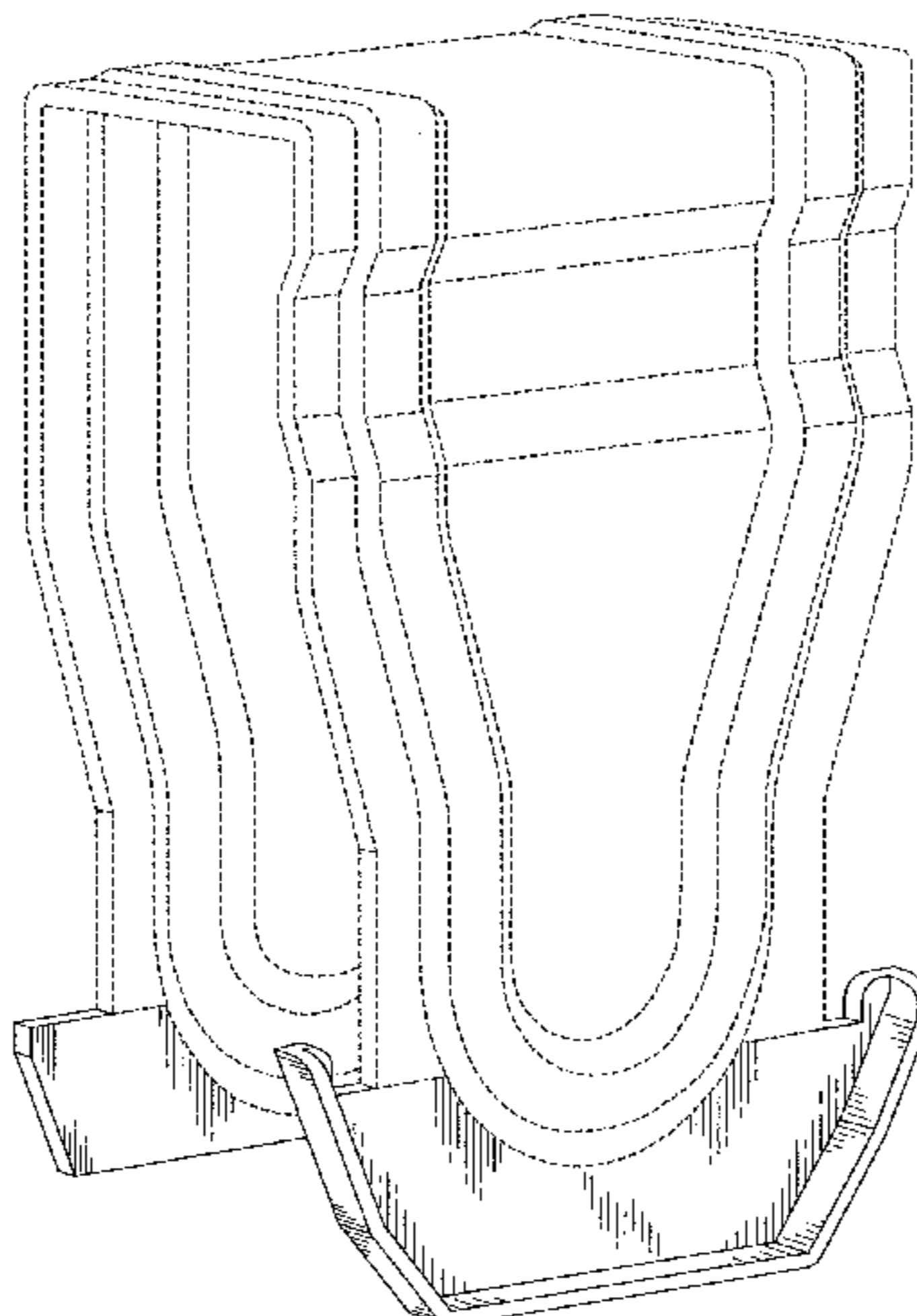
The ornamental design for a construction clip, as shown and described.

DESCRIPTION

FIG. 1 is a front perspective view of a construction clip, showing our new design;
FIG. 2 is a front view thereof;
FIG. 3 is a rear view thereof;
FIG. 4 is a top plan view thereof;
FIG. 5 is a bottom plan view thereof;
FIG. 6 is a left side view thereof; and,
FIG. 7 is a front perspective view thereof, shown in a state of use.

The broken lines and the uneven-length broken lines shown in the drawings represent portions of the construction clip that form no part of the claimed design. The right side view is omitted. because it is a mirror image of the left side view.

1 Claim, 6 Drawing Sheets



(56)

References Cited

U.S. PATENT DOCUMENTS

7,543,420 B2 * 6/2009 Holt E04B 1/41
52/262
8,671,528 B2 * 3/2014 Hayashi F16B 5/0657
24/297
D892,474 S * 8/2020 Jackson D2/895
D892,602 S * 8/2020 White D8/380
D905,382 S * 12/2020 Jackson D2/895
11,047,408 B2 * 6/2021 Roman F16B 5/121

* cited by examiner

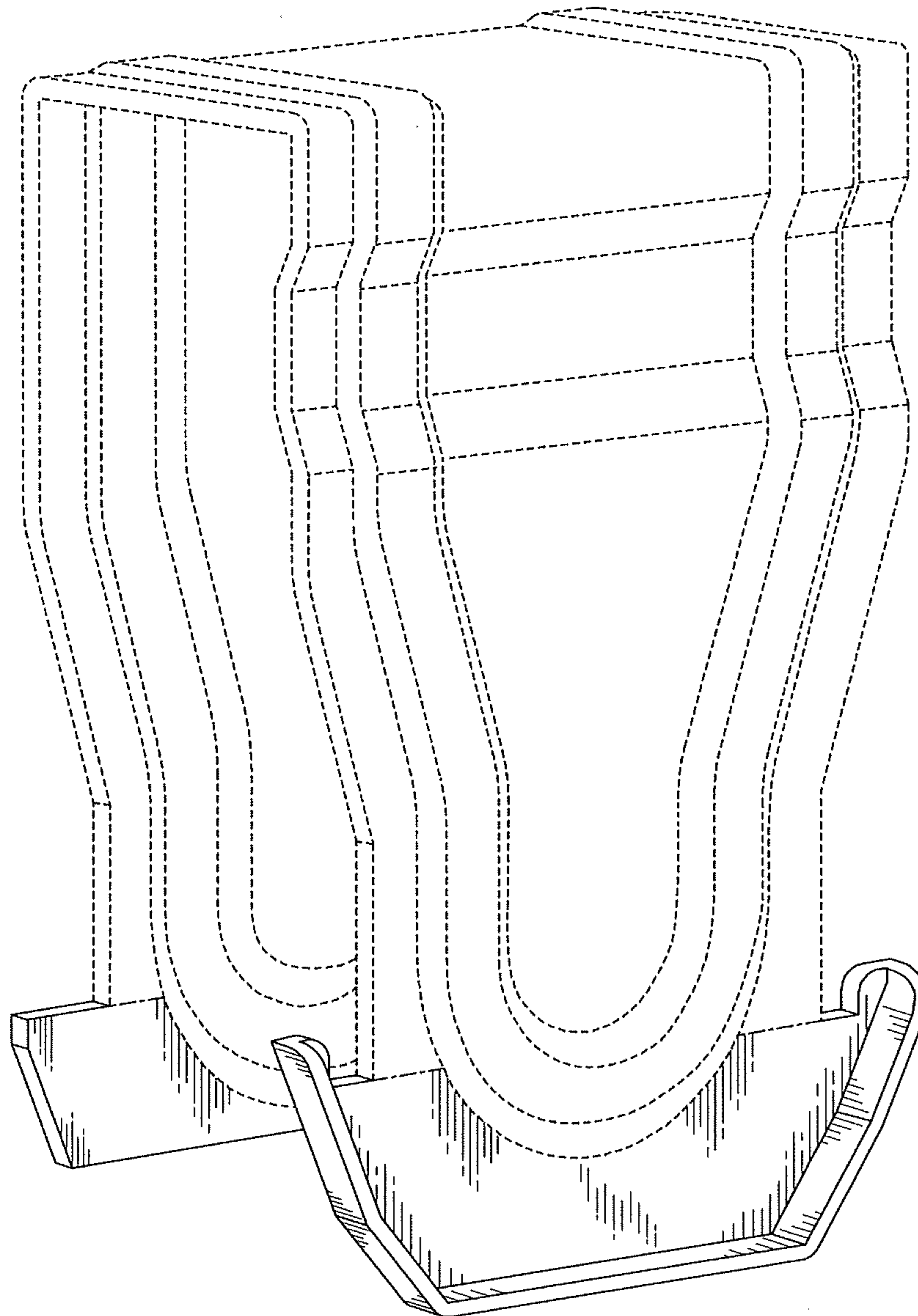


Fig. 1

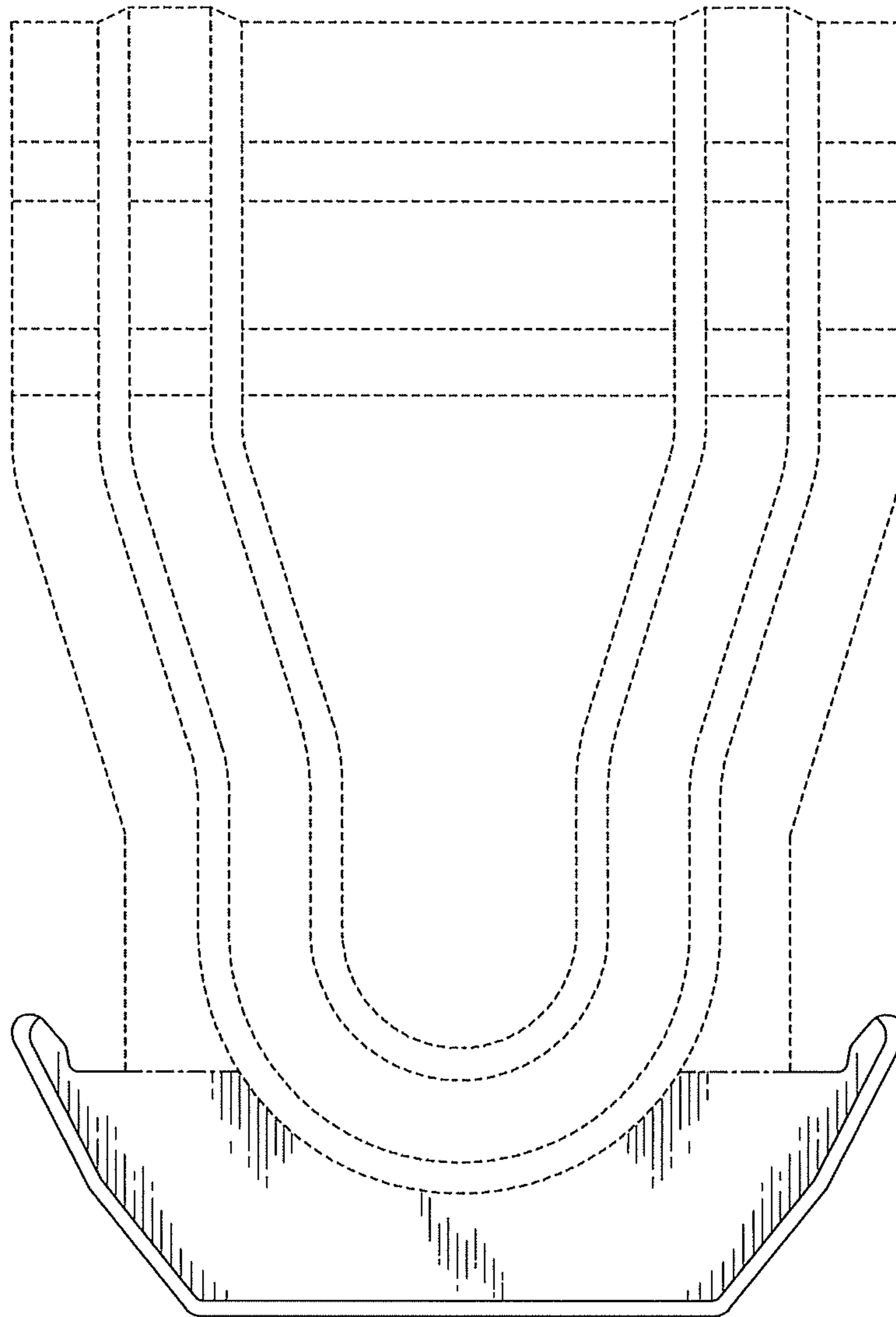


Fig. 2

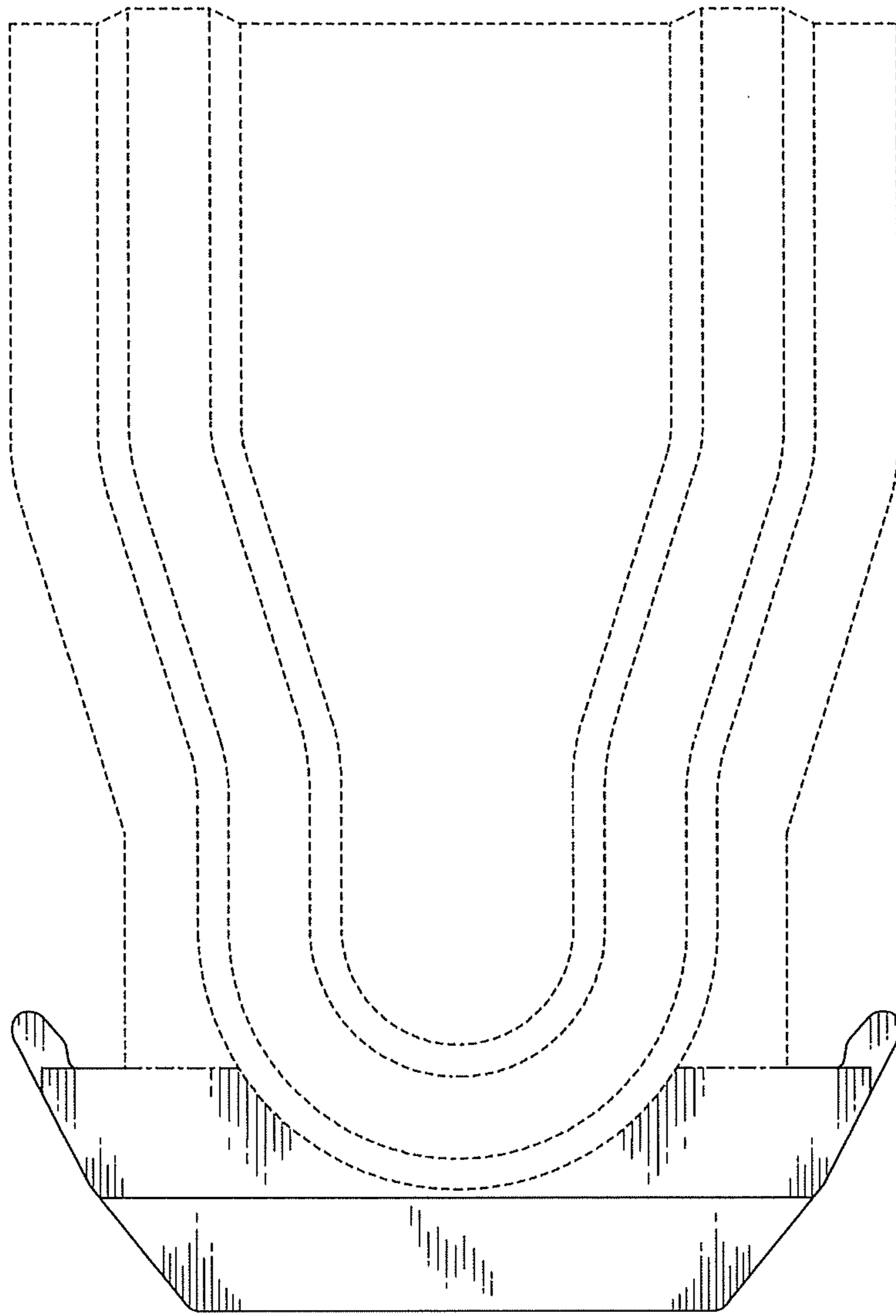


Fig. 3

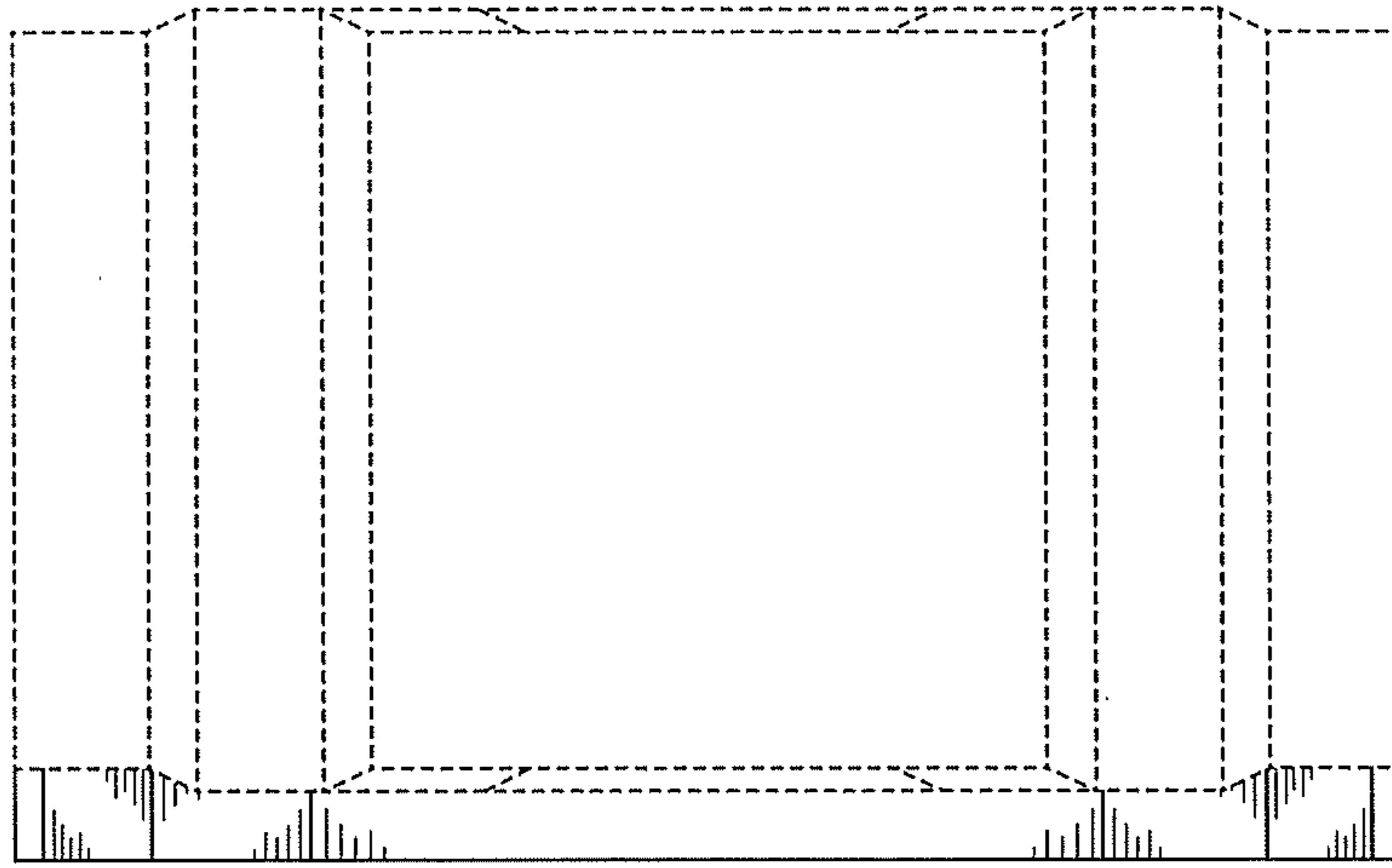


Fig. 4

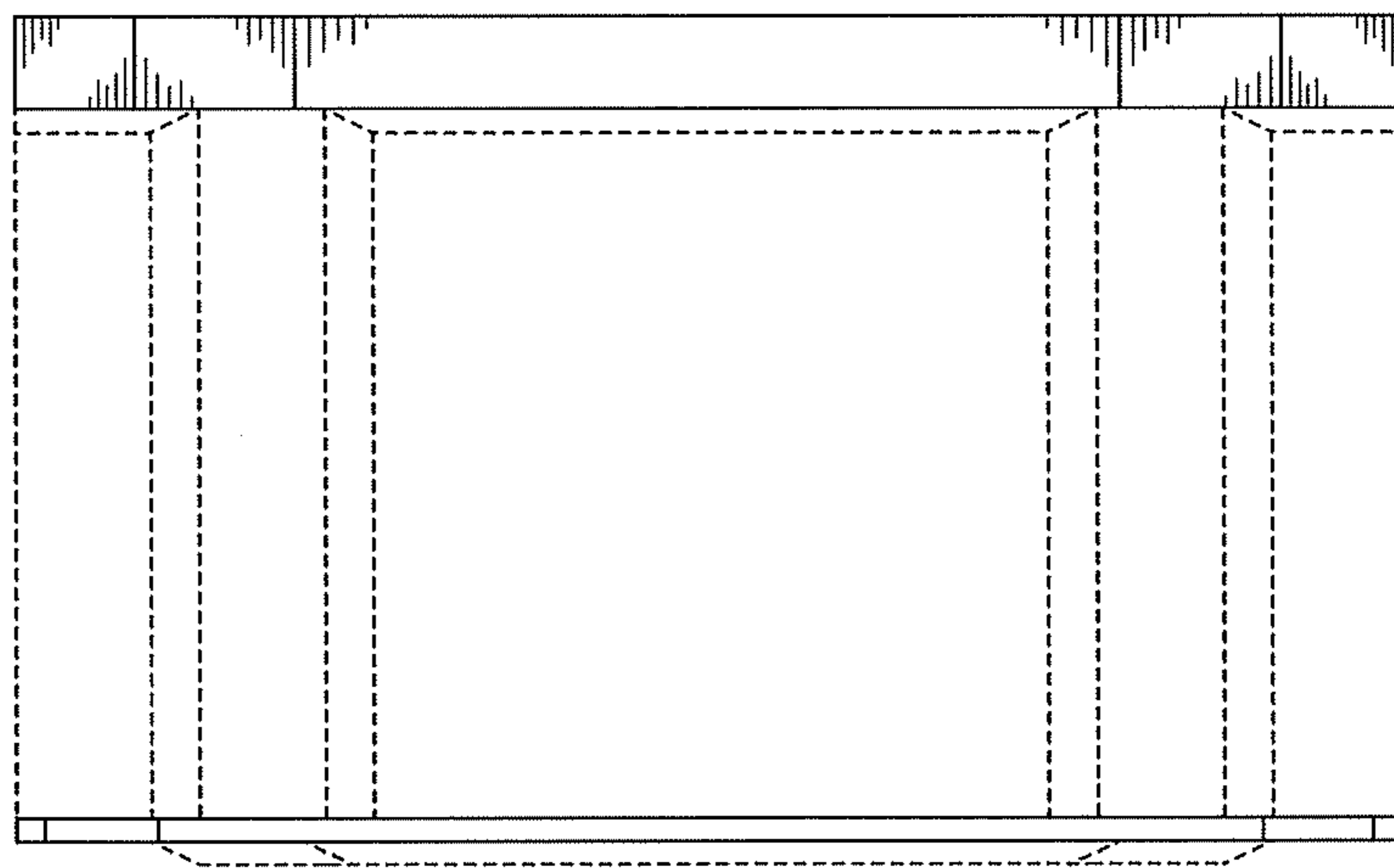


Fig. 5

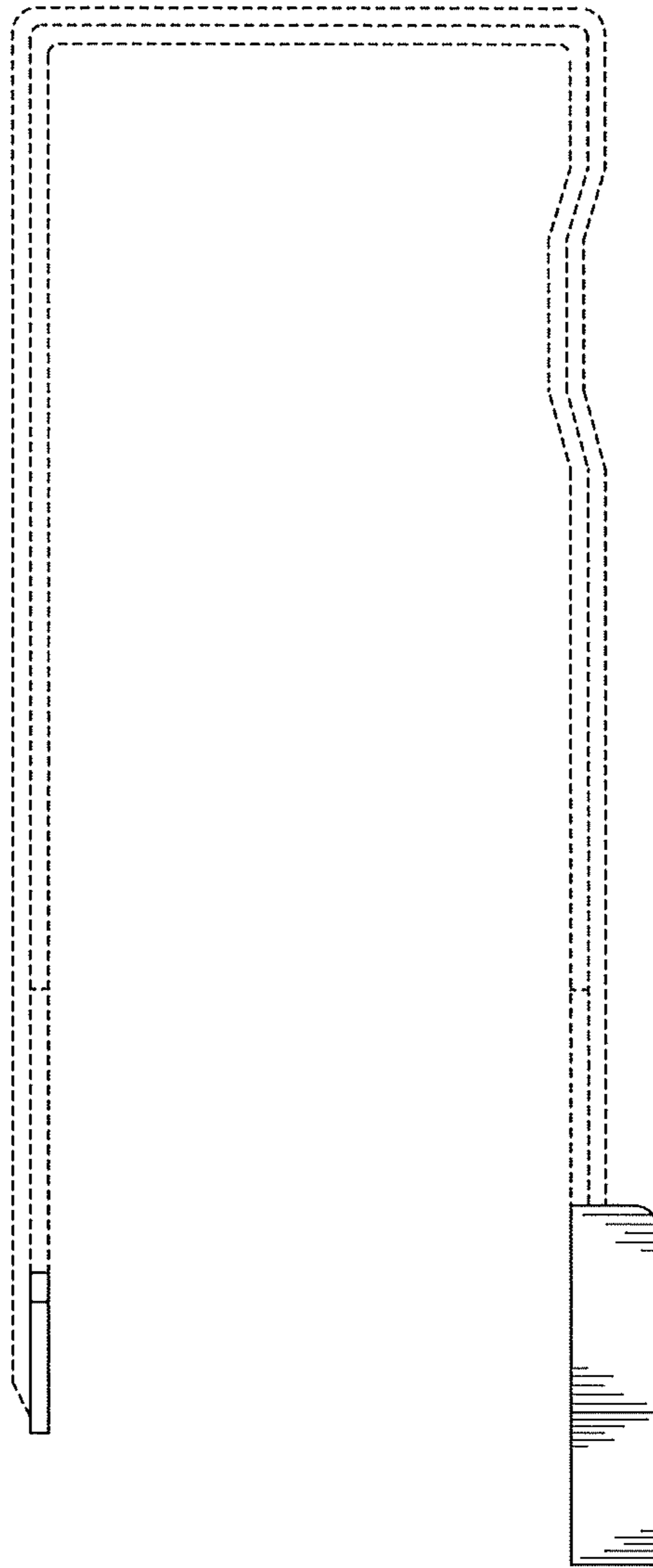


Fig. 6

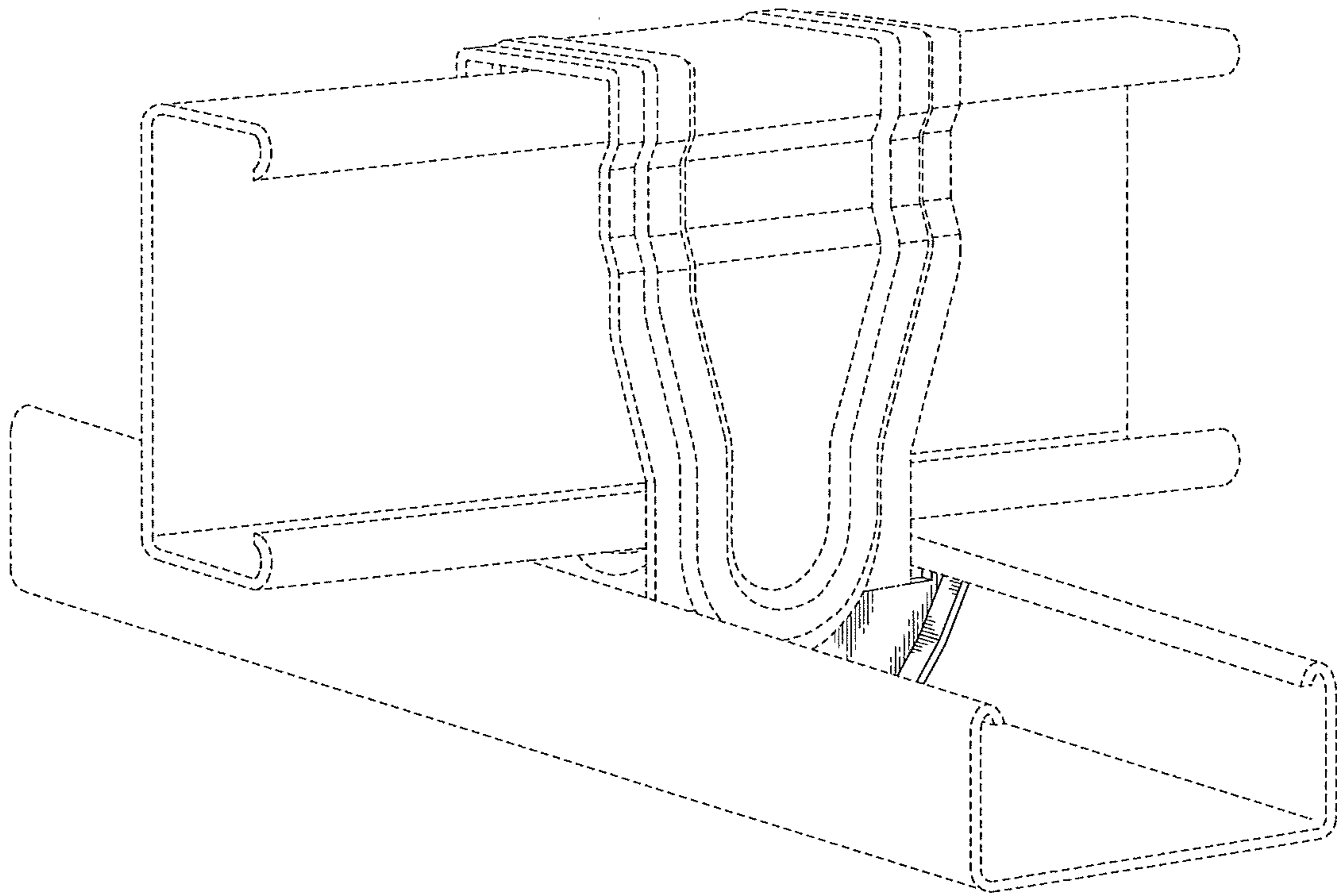


Fig. 7