



US00D945646S

(12) **United States Design Patent**  
**Sudo et al.**

(10) **Patent No.:** **US D945,646 S**  
(45) **Date of Patent:** **\*\* Mar. 8, 2022**

- (54) **CONSTRUCTION CLIP**
- (71) Applicant: **YOSHINO GYPSUM CO., LTD.**,  
Tokyo (JP)
- (72) Inventors: **Ushio Sudo**, Tokyo (JP); **Tomoya Hasegawa**, Tokyo (JP); **Takuji Yamashita**, Tokyo (JP); **Yusuke Watanabe**, Tokyo (JP)
- (73) Assignee: **YOSHINO GYPSUM CO., LTD.**,  
Tokyo (JP)

4,068,440 A \* 1/1978 Lillethorup ..... E04B 1/5818  
403/167  
4,725,257 A \* 2/1988 Barishman ..... A63H 3/14  
24/545  
D399,013 S \* 9/1998 Nguyen ..... D25/133  
D440,854 S \* 4/2001 Killins ..... D8/14  
D442,456 S \* 5/2001 Killins ..... D8/88  
7,299,597 B2 \* 11/2007 Holt ..... E04B 1/41  
52/262

(Continued)

- (\*\*) Term: **15 Years**
- (21) Appl. No.: **29/738,987**
- (22) Filed: **Jun. 22, 2020**

**OTHER PUBLICATIONS**  
U.S. Appl. No. 29/738,991, filed Jun. 22, 2020, Yoshino Gypsum Co., Ltd.

*Primary Examiner* — Samantha Q Lawrence  
(74) *Attorney, Agent, or Firm* — IPUSA, PLLC

- (30) **Foreign Application Priority Data**  
Dec. 25, 2019 (JP) ..... 2019-028876
- (51) **LOC (13) Cl.** ..... **25-01**
- (52) **U.S. Cl.**  
USPC ..... **D25/133**
- (58) **Field of Classification Search**  
USPC ..... D25/119, 125, 126, 127, 128, 129, 130,  
D25/131, 132, 133, 134, 135, 136;  
D6/548, 549, 610; D2/865, 866, 872,  
D2/875, 876, 877, 878, 879, 880, 881,  
D2/882, 883, 884, 885, 886, 887, 888,  
D2/891, 893, 895; D8/88, 89, 90, 107  
CPC .... E04B 1/41; E04B 9/30; A63H 3/14; B42D  
5/005; B42F 9/00; E04C 2003/0452;  
E04C 3/04; F16B 21/086; F16B 2/065;  
F16B 5/065; F16B 5/0657; F16B 5/121;  
F16L 3/24; Y10T 24/309; Y10T 24/44769  
See application file for complete search history.

(57) **CLAIM**

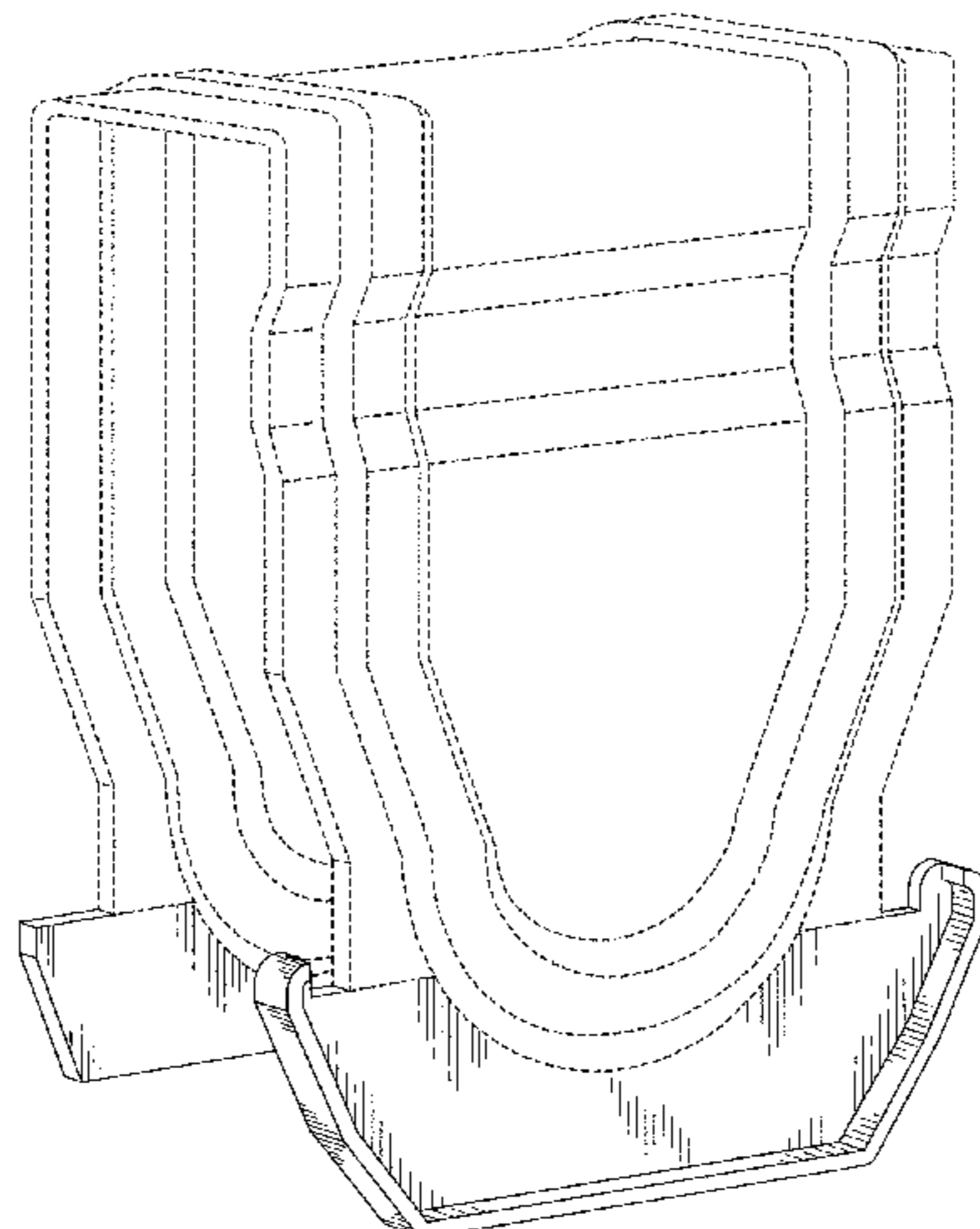
The ornamental design for a construction clip, as shown and described.

**DESCRIPTION**

FIG. 1 is a front perspective view of a construction clip, showing our new design;  
FIG. 2 is a front view thereof;  
FIG. 3 is a rear view thereof;  
FIG. 4 is a top plan view thereof;  
FIG. 5 is a bottom plan view thereof;  
FIG. 6 is a left side view thereof; and,  
FIG. 7 is a front perspective view thereof, shown in a state of use.  
The broken lines and the uneven-length broken lines shown in the drawings represent portions of the construction clip that form no part of the claimed design. The right side view is omitted, because it is a mirror image of the left side view.

**1 Claim, 6 Drawing Sheets**

- (56) **References Cited**  
**U.S. PATENT DOCUMENTS**  
2,780,850 A \* 2/1957 Lieff ..... E04B 9/242  
52/769  
3,357,148 A \* 12/1967 Turner ..... E04B 2/7457  
52/357



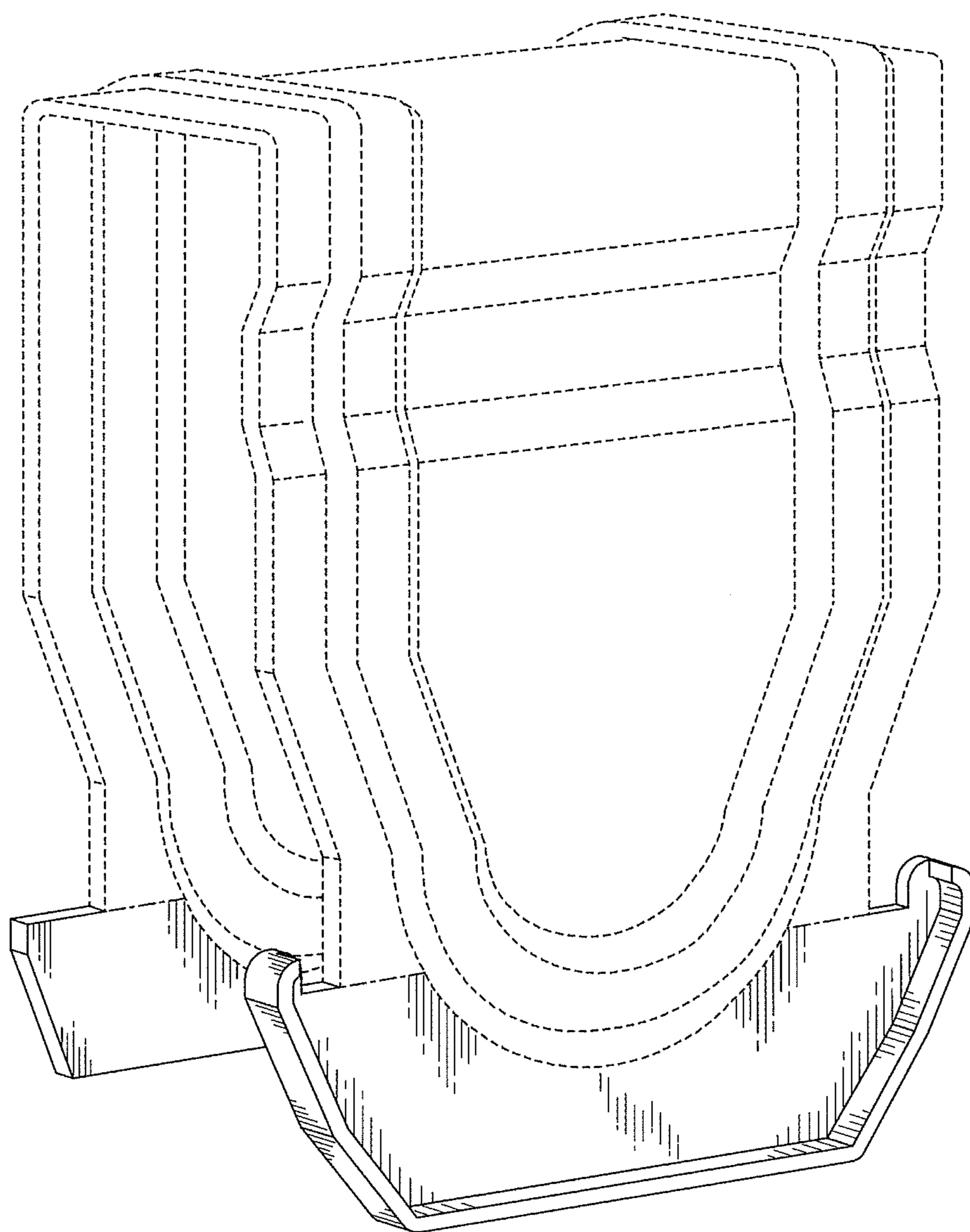
(56)

**References Cited**

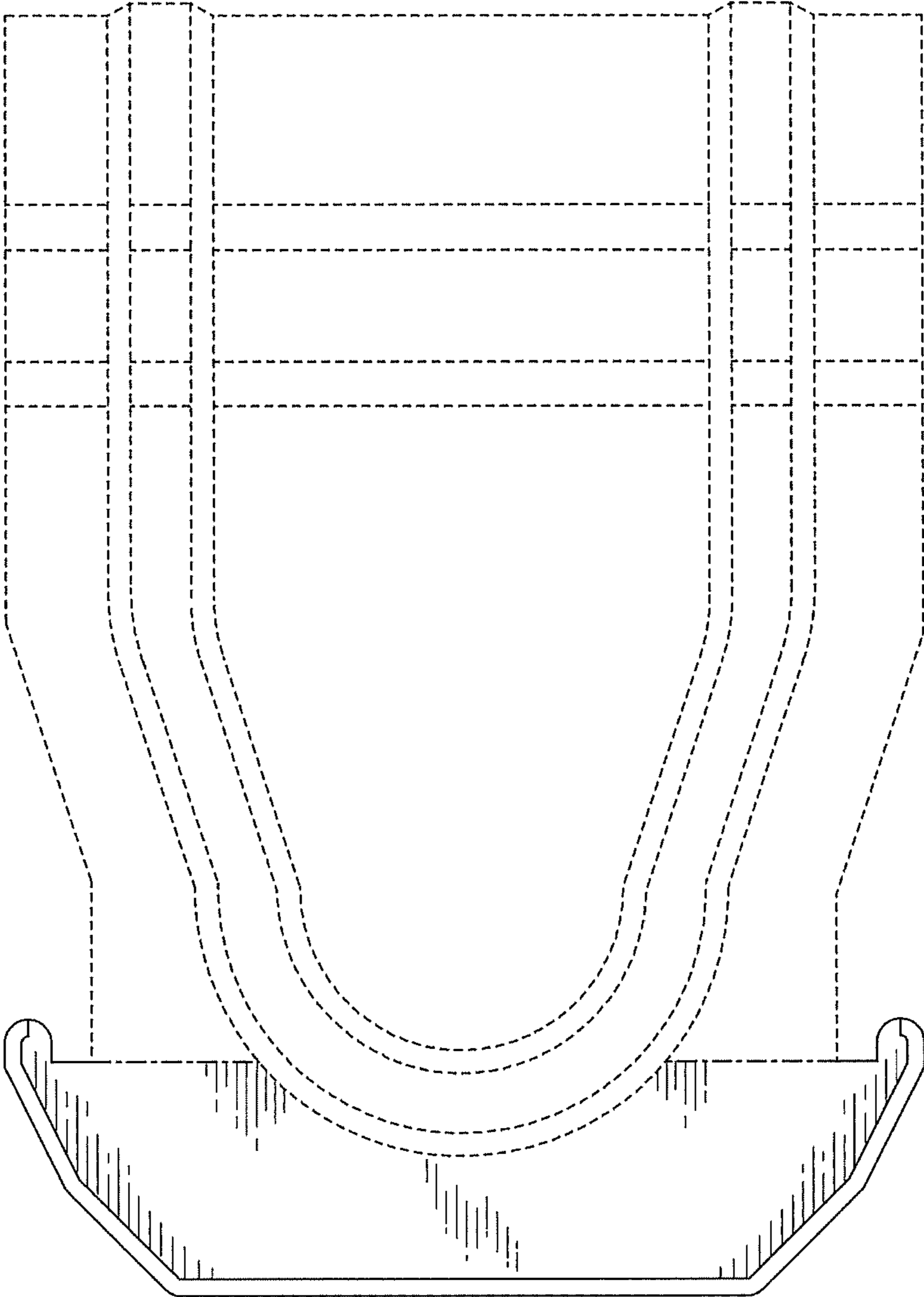
U.S. PATENT DOCUMENTS

7,543,420	B2 *	6/2009	Holt	.....	E04B 1/41
					52/262
8,671,528	B2 *	3/2014	Hayashi	.....	F16B 5/0657
					24/297
D892,474	S *	8/2020	Jackson	.....	D2/895
D892,602	S *	8/2020	White	.....	D8/380
D905,382	S *	12/2020	Jackson	.....	D2/895
11,047,408	B2 *	6/2021	Roman	.....	F16B 5/121

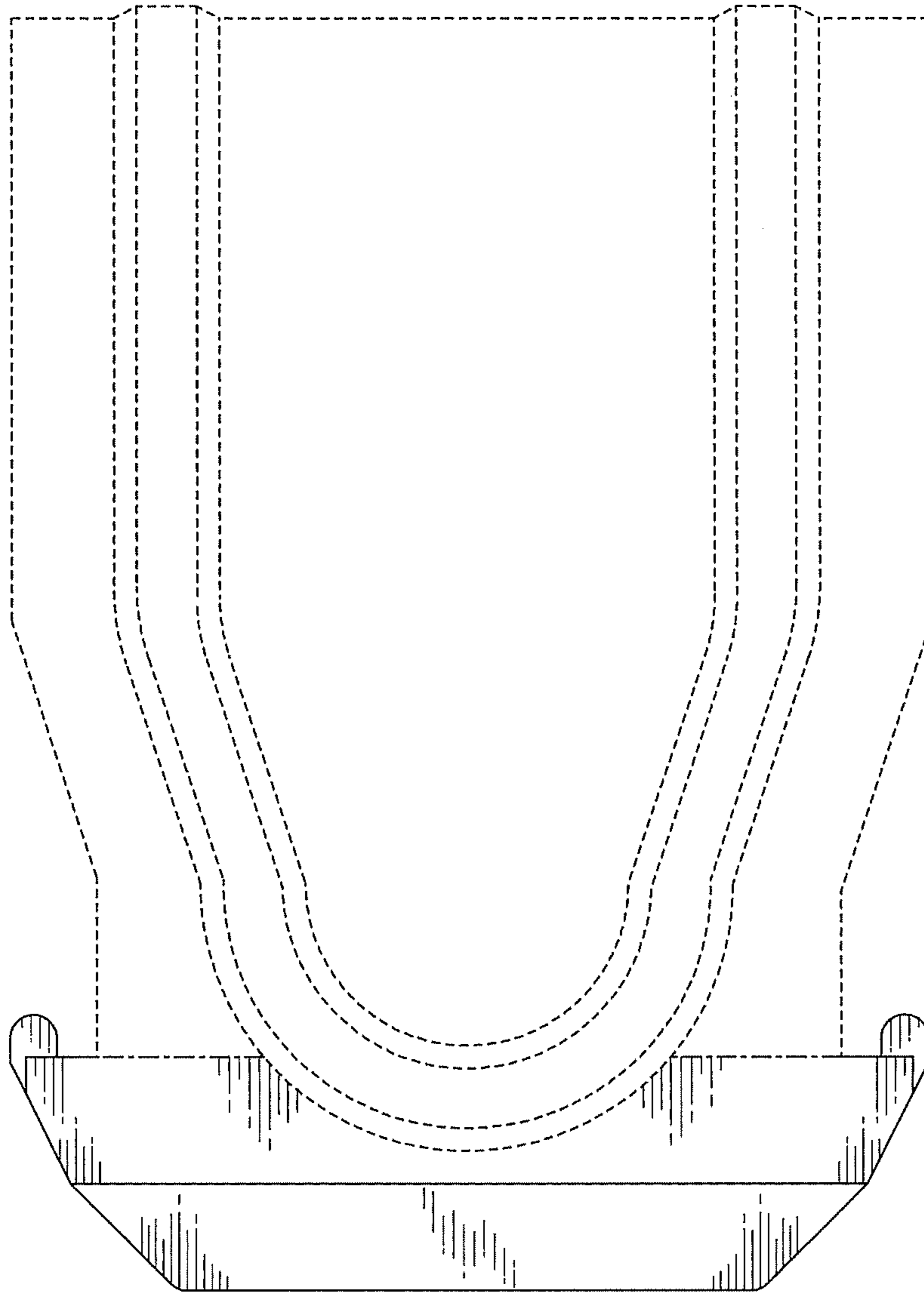
\* cited by examiner



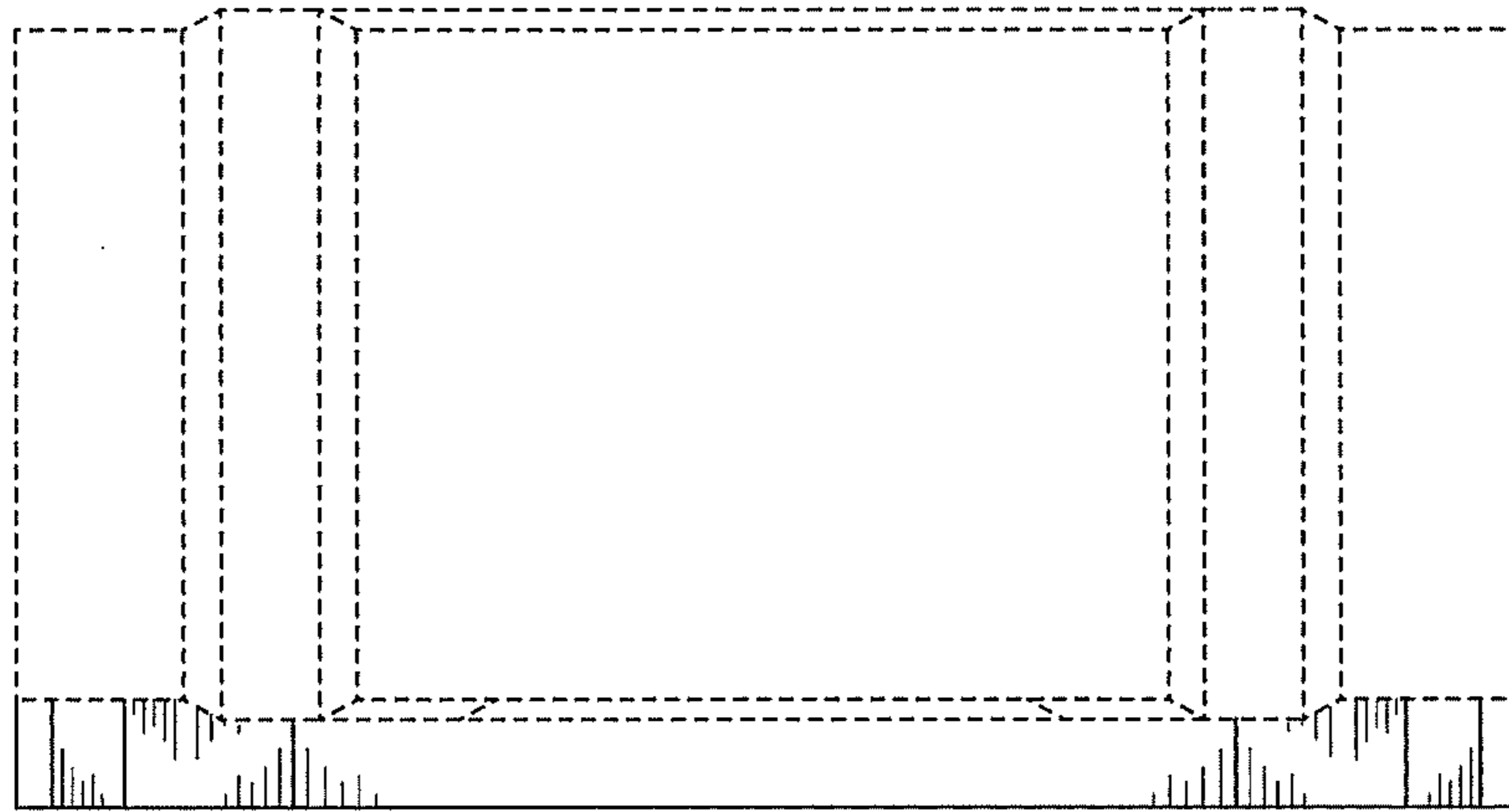
*Fig. 1*



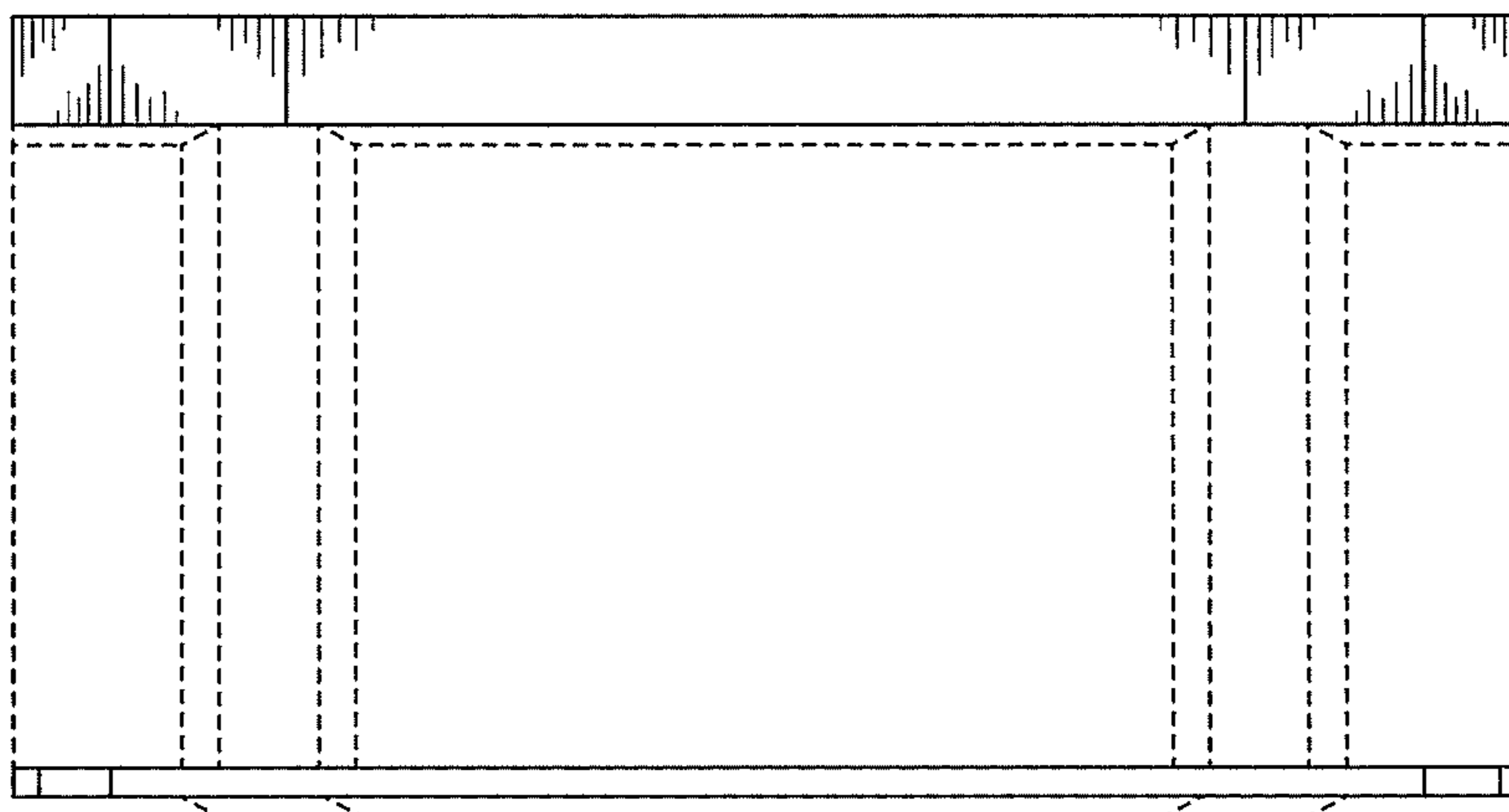
*Fig. 2*



*Fig. 3*

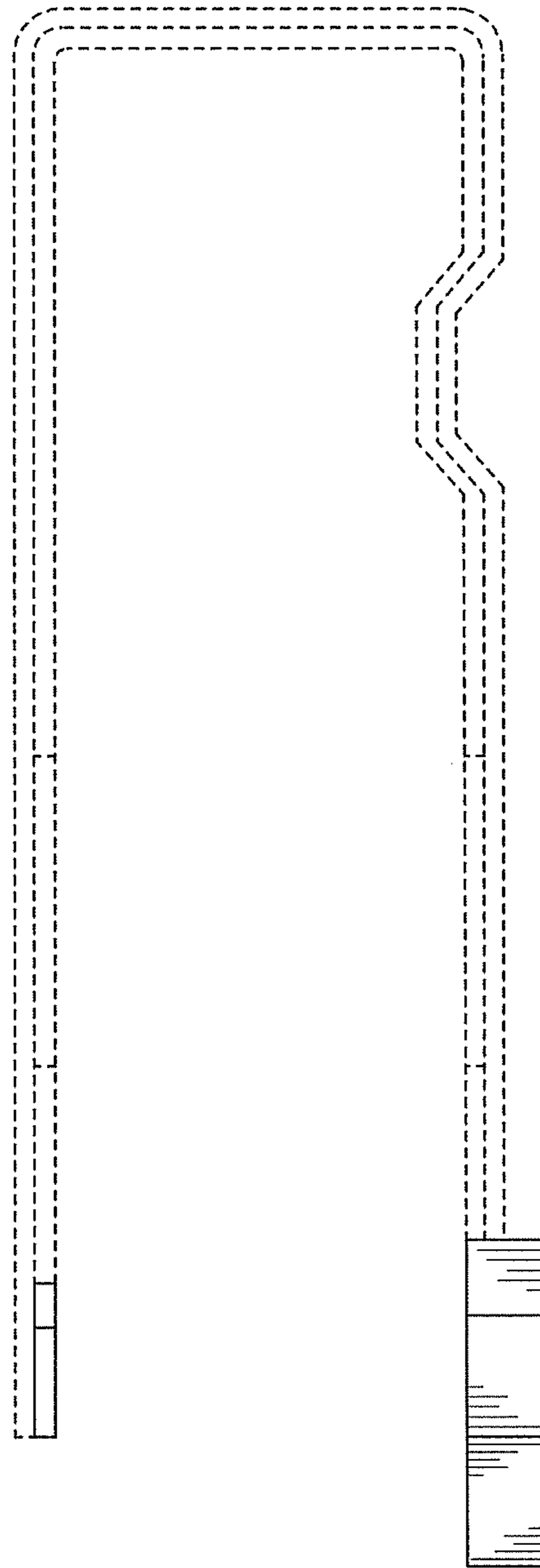


*Fig. 4*

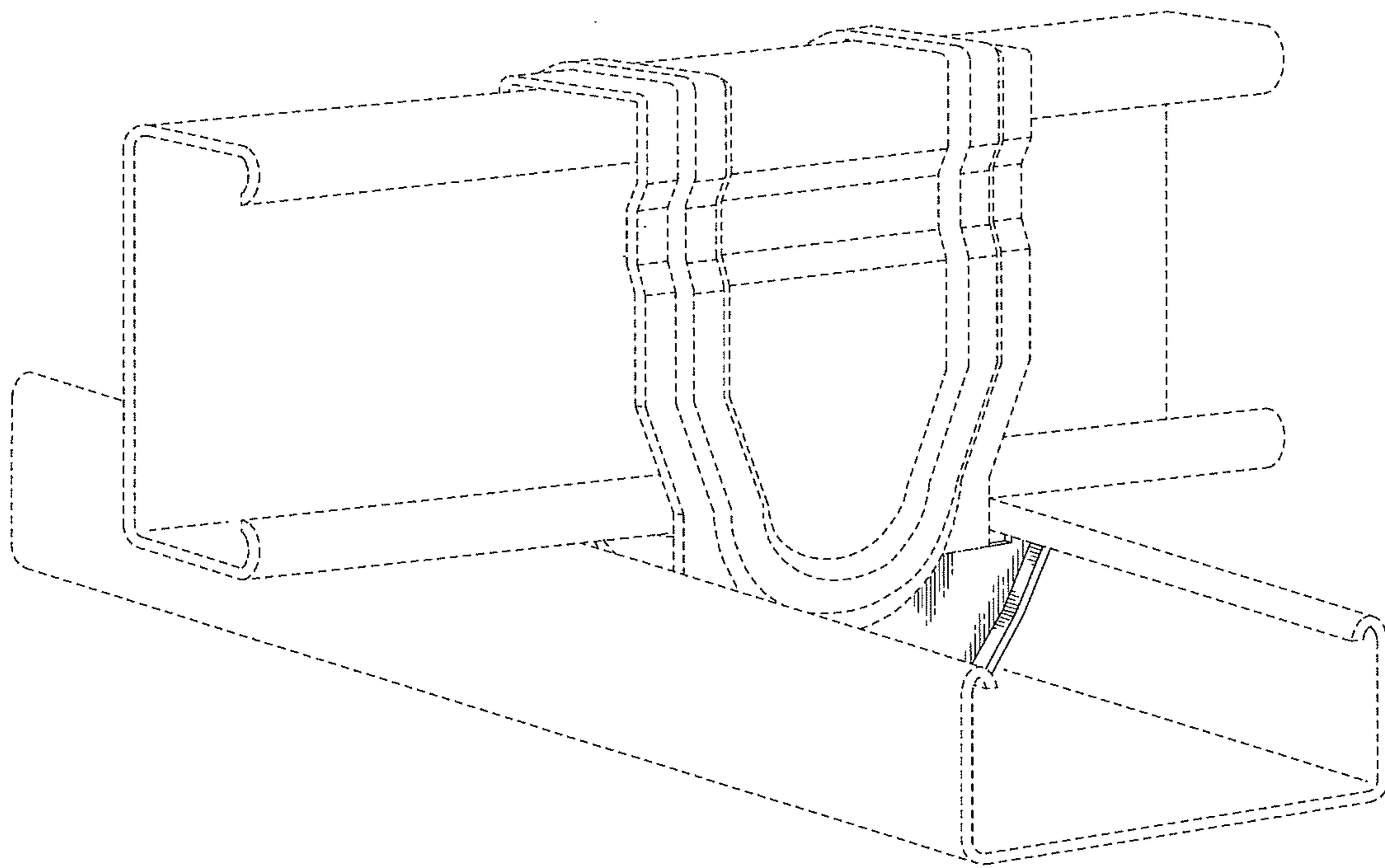


*Fig. 5*





*Fig. 6*



*Fig. 7*