



US00D945644S

(12) **United States Design Patent**
Lowrey et al.

(10) **Patent No.:** **US D945,644 S**
(45) **Date of Patent:** **** Mar. 8, 2022**

- (54) **FENCE POST EXTENSION**
 - (71) Applicant: **Wireman Pty Limited**, Milsons Point (AU)
 - (72) Inventors: **Ian Lowrey**, Surry Hills (AU); **Fraser Patison Old**, Milsons Point (AU)
 - (73) Assignee: **WIREMAN PTY LIMITED**
 - (**) Term: **15 Years**
 - (21) Appl. No.: **29/722,484**
 - (22) Filed: **Jan. 30, 2020**
 - (30) **Foreign Application Priority Data**
 - Aug. 30, 2019 (AU) 201914968
 - (51) **LOC (13) Cl.** **25-01**
 - (52) **U.S. Cl.**
USPC **D25/131**
 - (58) **Field of Classification Search**
 - USPC D25/119, 125, 126, 127, 128, 129, 130, D25/131, 132, 133, 135, 136, 61, 164; D8/45, 71, 394-396, 349, 354, 355; D15/136, 138
 - CPC E04B 9/068; E04B 1/19; E04B 1/1903; E04B 1/24; E04B 1/2403; E04B 1/40; E04B 2001/2415; E04B 2001/2421; E04B 2001/2451; E04C 3/07; E04C 2003/046; E04C 3/04; E04C 3/06; E04H 12/2269; E04H 12/24; E04H 15/34; E04H 17/1421; E04H 12/00; B60K 25/08; C21D 1/42; C21D 1/667; C21D 9/0062; C21D 9/40; F16D 11/14; F16D 15/00; F16D 1/101; F16D 1/12; H05B 6/101; H05B 6/109; H05B 6/36; H05B 6/42; H05B 6/44; Y02P 10/25; H01Q 1/42
- See application file for complete search history.

(56) **References Cited**

U.S. PATENT DOCUMENTS

D546,973 S *	7/2007	Halderman	D25/119
D587,819 S *	3/2009	Ryan	D25/119
D606,212 S *	12/2009	O'Toole	D25/135
D621,249 S *	8/2010	Heindl	D8/382
D621,250 S *	8/2010	Heindl	D8/382
D621,251 S *	8/2010	Heindl	D8/382
D621,252 S *	8/2010	Heindl	D8/382
D664,668 S *	7/2012	Hewitt	D25/38.1
D687,170 S *	7/2013	Kovalchick	D25/126
D723,186 S *	2/2015	Taylor	D25/119
D723,187 S *	2/2015	Taylor	D25/119
D723,188 S *	2/2015	Taylor	D25/119
D725,296 S *	3/2015	Taylor	D25/126
D725,297 S *	3/2015	Taylor	D25/126
D743,577 S *	11/2015	Thornburg, II	D25/126
D900,343 S *	10/2020	Becker	D25/126

(Continued)

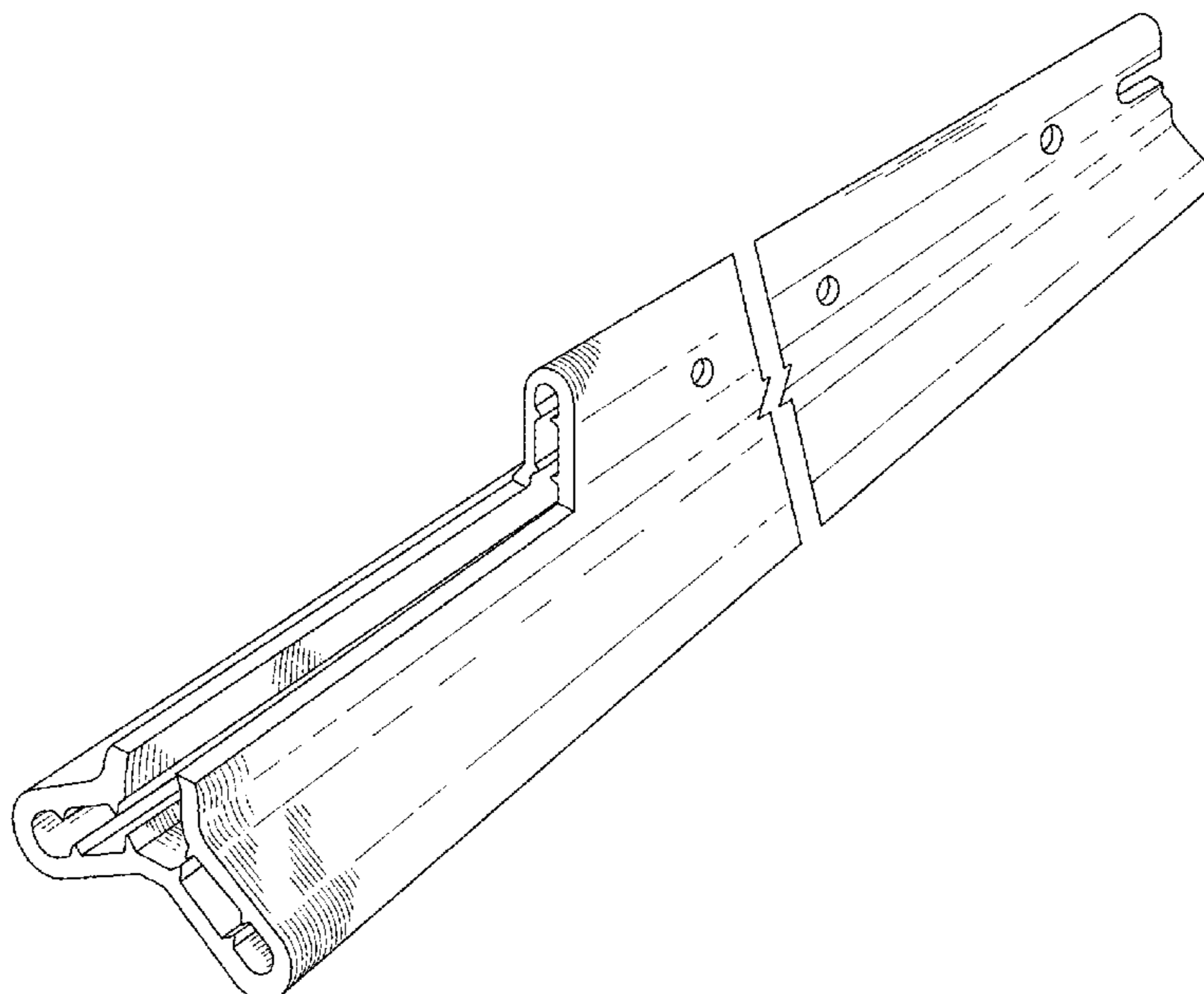
Primary Examiner — Samantha Q Lawrence
(74) *Attorney, Agent, or Firm* — Design IP

(57) **CLAIM**
The ornamental design for a fence post extension, as shown and described.

DESCRIPTION

FIG. 1 is a perspective front view of a fence post extension showing our new design;
FIG. 2 is a front view thereof;
FIG. 3 is a rear view thereof;
FIG. 4 is a right side view thereof;
FIG. 5 is a left side view thereof;
FIG. 6 is a sectional view taken along line 6-6 of FIG. 1;
FIG. 7 is a top view thereof; and,
FIG. 8 is a bottom view thereof.
The fence post extension is shown with a symbolic break in its length. The appearance of any portion of the article between the break lines forms no part of the claimed design.

1 Claim, 6 Drawing Sheets



(56)

References Cited

U.S. PATENT DOCUMENTS

D915,628 S * 4/2021 Place D25/126
D916,328 S * 4/2021 Gonzales D25/126

* cited by examiner

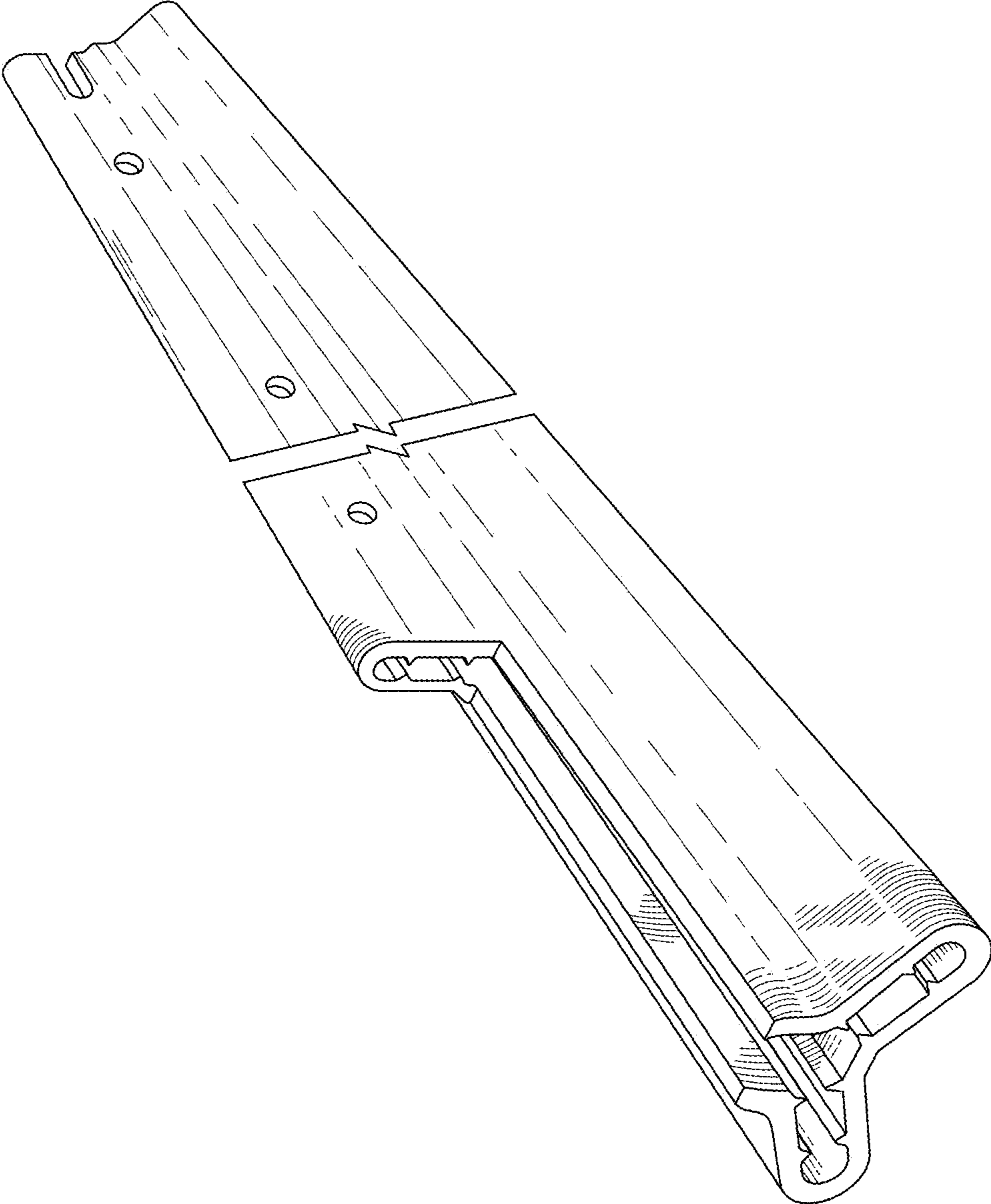


FIG. 1

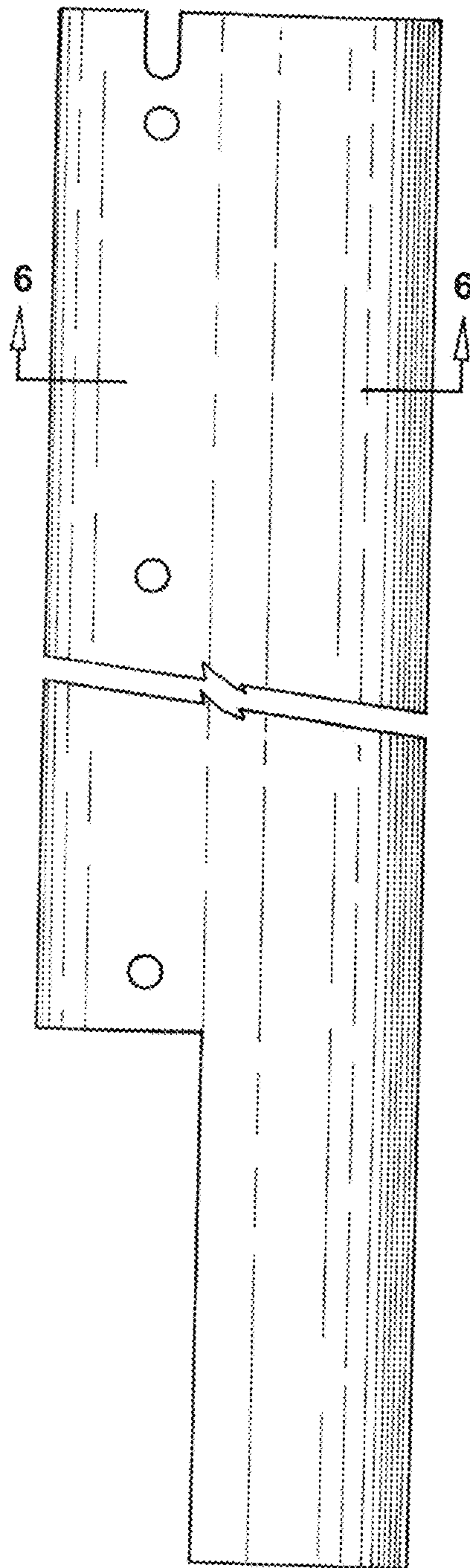


FIG. 2

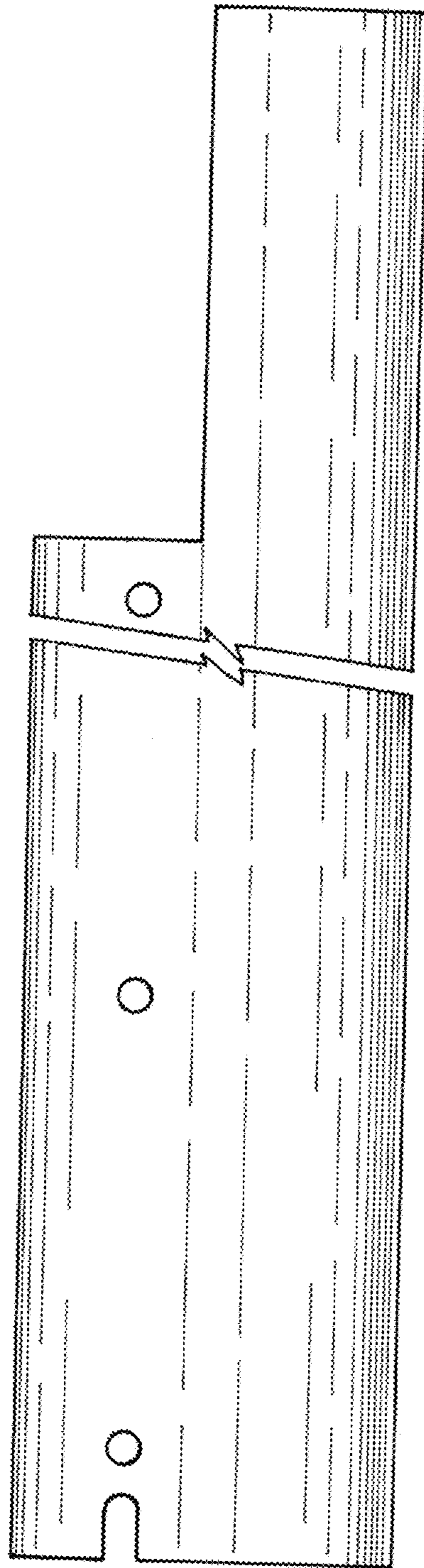


FIG. 3

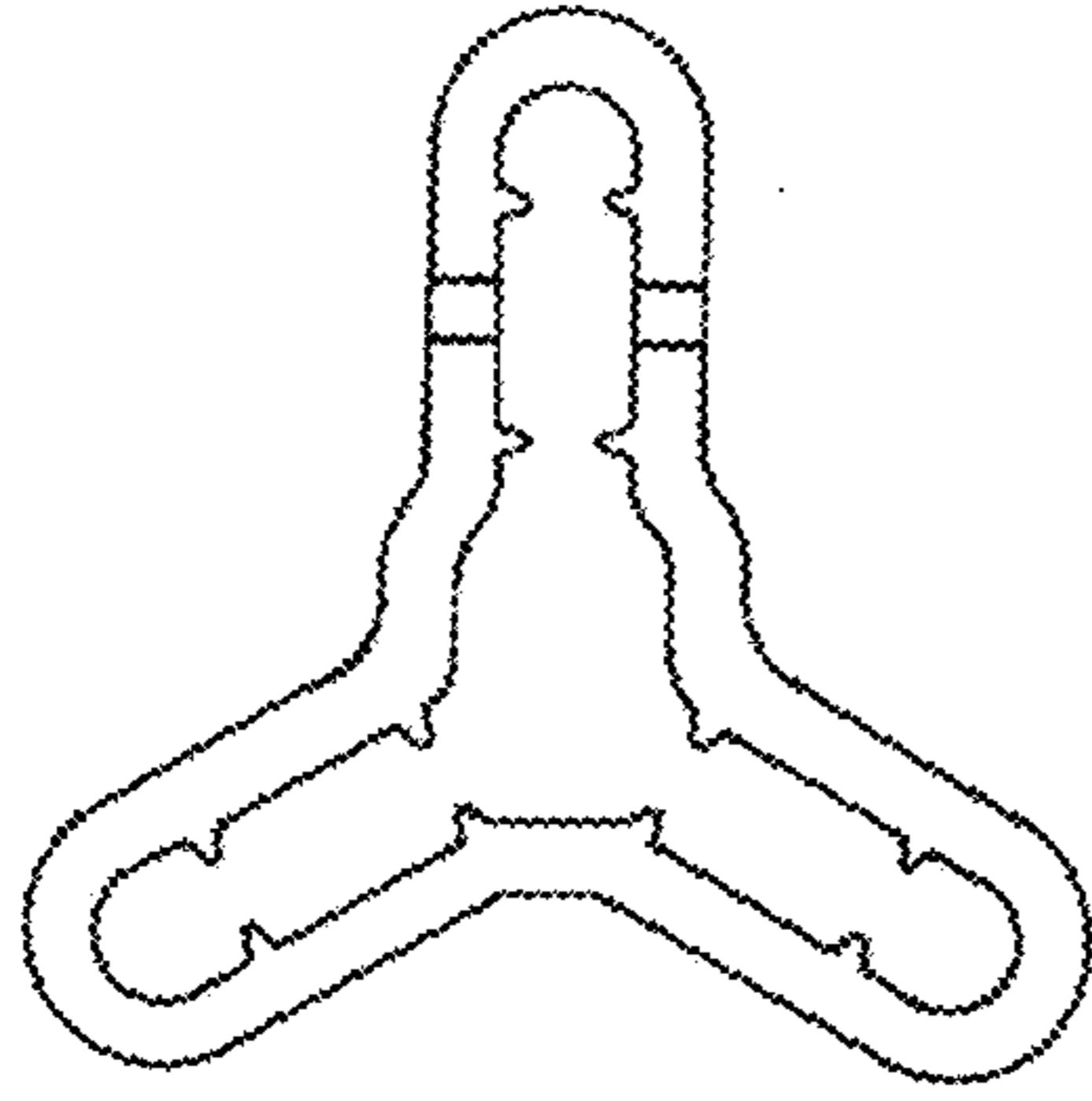


FIG. 4

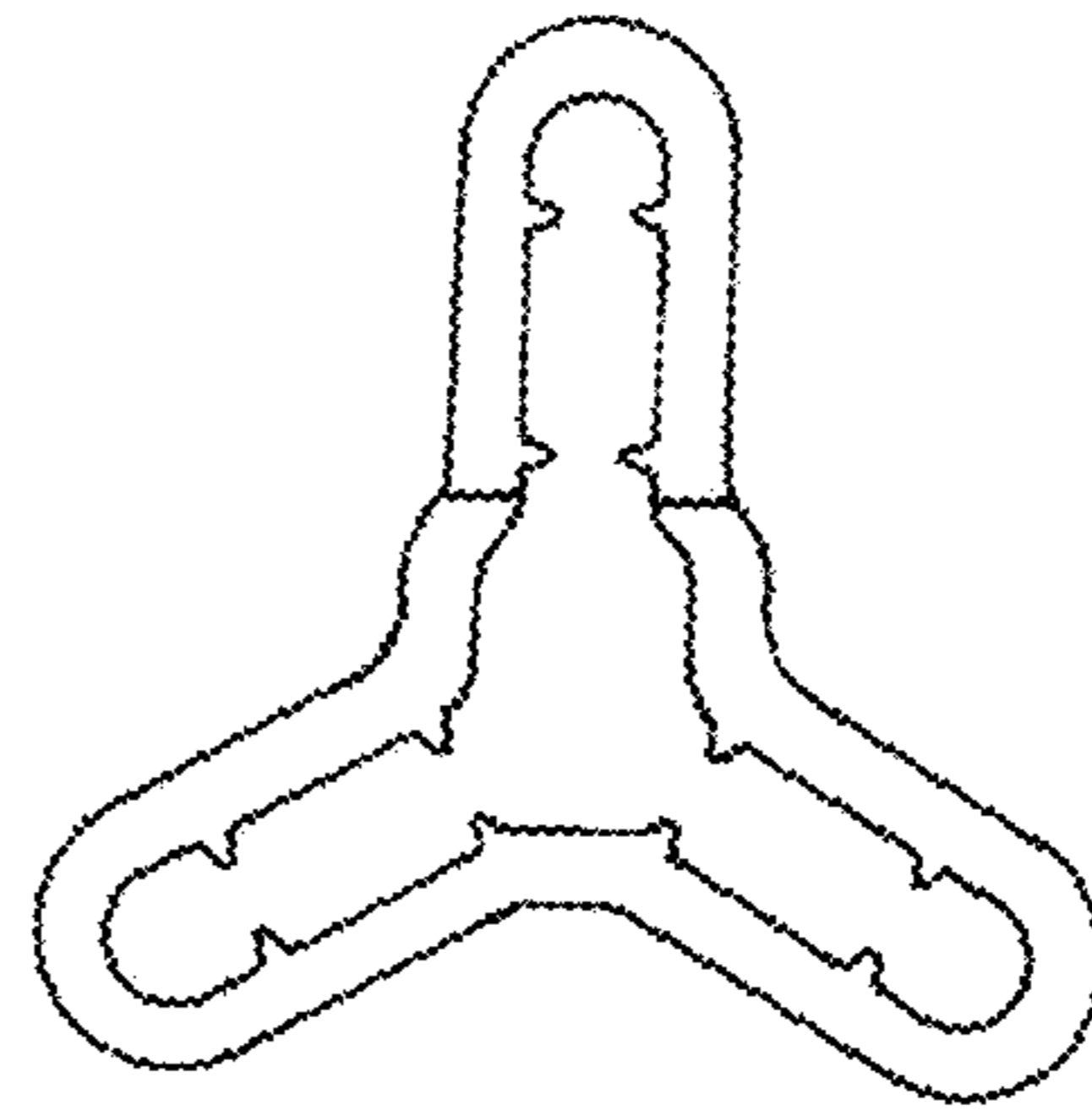


FIG. 5

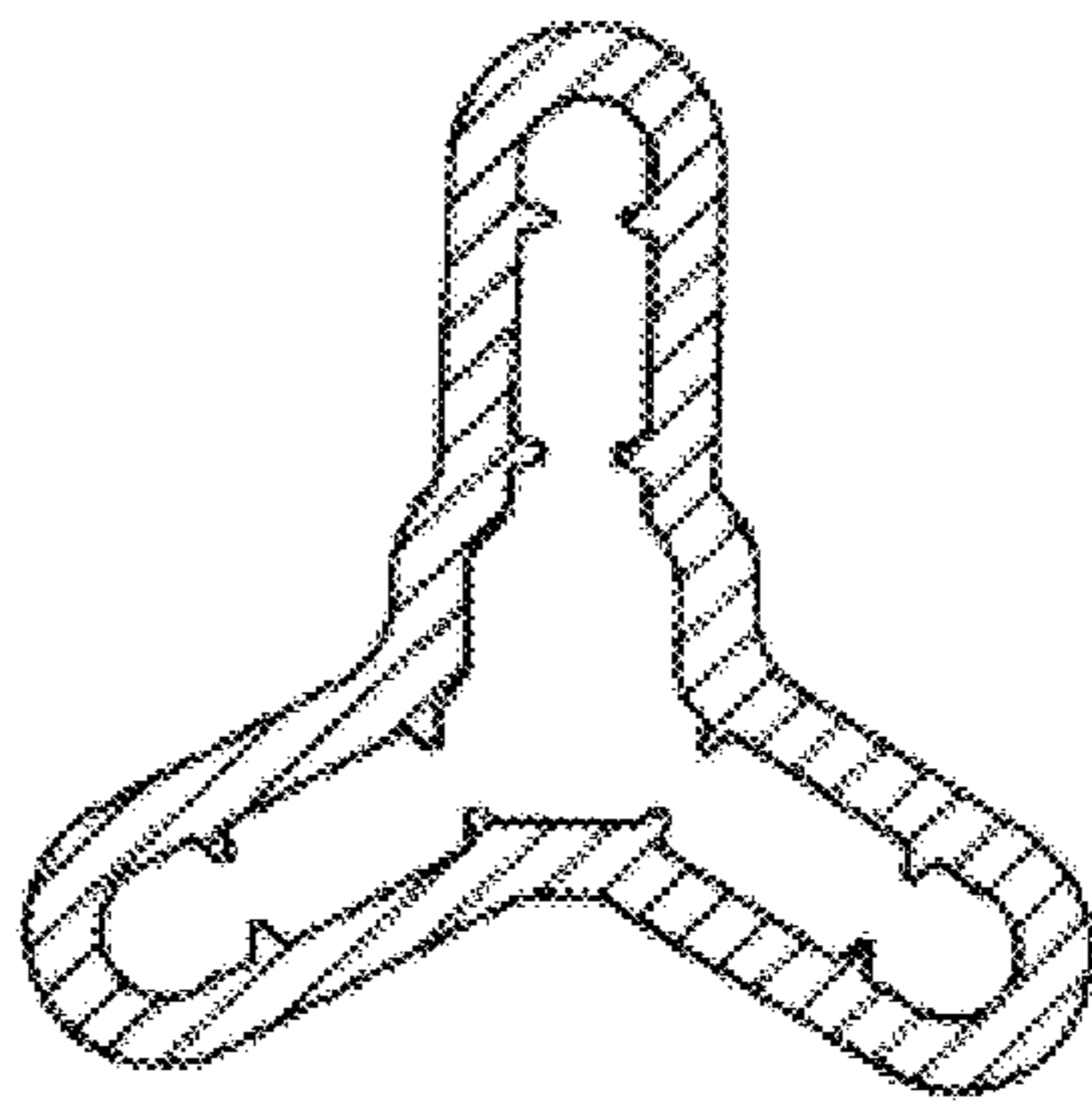


FIG. 6

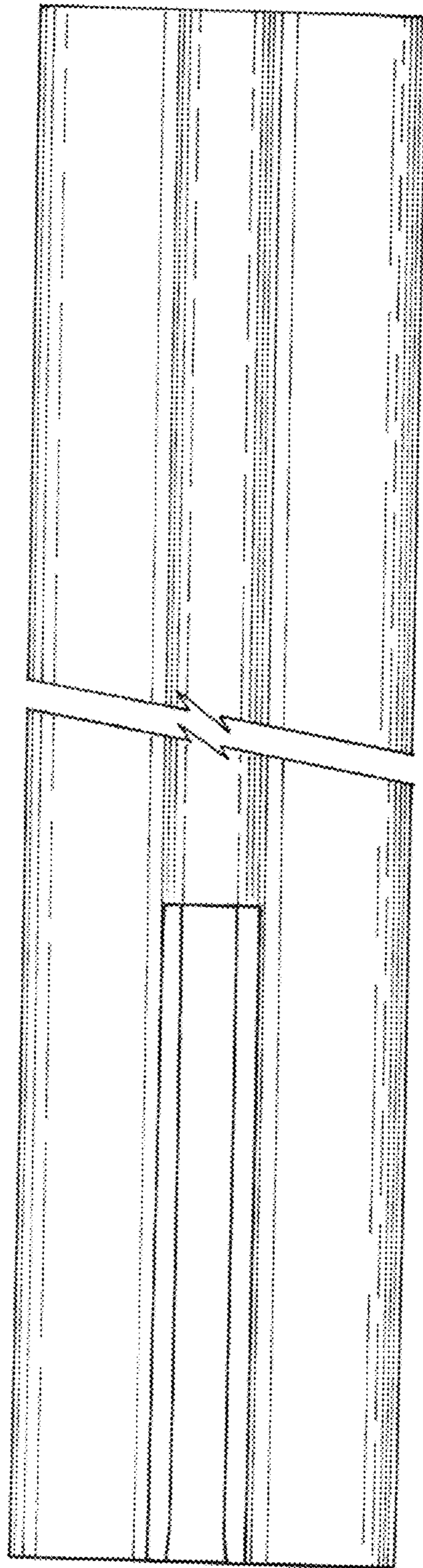


FIG. 7

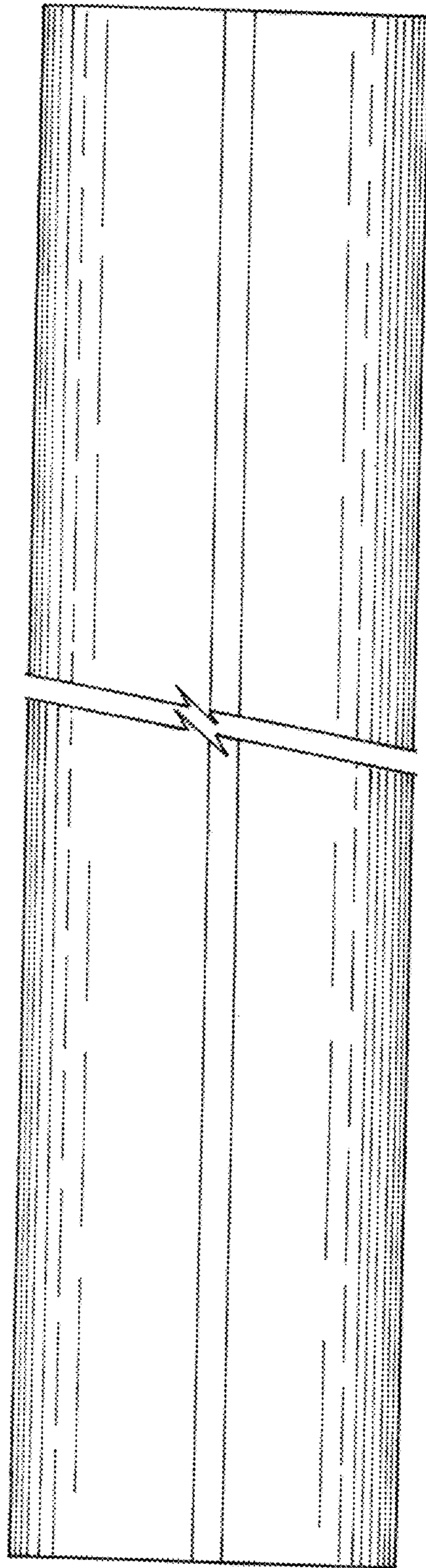


FIG. 8