



US00D945642S

(12) **United States Design Patent** (10) **Patent No.:** **US D945,642 S**  
**Travis** (45) **Date of Patent:** **\*\* \*Mar. 8, 2022**

(54) **CURVED CLEAN ROOM TWO CORNER PIECE**

D624,804 S \* 10/2010 Wellard ..... D8/354  
7,823,360 B1 \* 11/2010 Cottle ..... E04C 1/395  
52/608  
D674,916 S \* 1/2013 Cetindag ..... D25/61  
D683,052 S \* 5/2013 Cameron ..... D25/61  
D908,246 S \* 1/2021 Travis ..... D25/61

(71) Applicant: **Travis Cleanair, Inc.**, Loveland, CO (US)

(72) Inventor: **Patrick J. Travis**, Loveland, CO (US)

(73) Assignee: **Travis Cleanair, Inc.**, Loveland, CO (US)

(\* ) Notice: This patent is subject to a terminal disclaimer.

(\*\*) Term: **15 Years**

(21) Appl. No.: **29/712,559**

(22) Filed: **Nov. 8, 2019**

**Related U.S. Application Data**

(63) Continuation of application No. 29/674,344, filed on Dec. 20, 2018, now abandoned.

(51) **LOC (13) Cl.** ..... **25-01**

(52) **U.S. Cl.**  
USPC ..... **D25/61**

(58) **Field of Classification Search**  
USPC ..... D8/349, 354, 356, 363, 366, 373, 380,  
D8/381, 382, 394, 395; D25/61, 119,  
D25/124, 126, 133, 199  
CPC ..... E04B 2002/0208; A47B 47/0008; A47B  
47/02  
See application file for complete search history.

(56) **References Cited**

**U.S. PATENT DOCUMENTS**

D259,364 S \* 5/1981 Poth ..... D25/124  
5,066,161 A \* 11/1991 Pinney ..... A47B 47/02  
403/172  
D359,137 S \* 6/1995 Schrader ..... D25/122  
D362,509 S \* 9/1995 Russell ..... D25/61  
D362,726 S \* 9/1995 Russell ..... D25/124

**FOREIGN PATENT DOCUMENTS**

CA 187142 \* 11/2020  
CN 302826891 \* 5/2014  
JP D1362209 \* 6/2009

\* cited by examiner

*Primary Examiner* — Leanne Was-Englehart  
(74) *Attorney, Agent, or Firm* — Cochran Freund & Young LLC; William W. Cochran

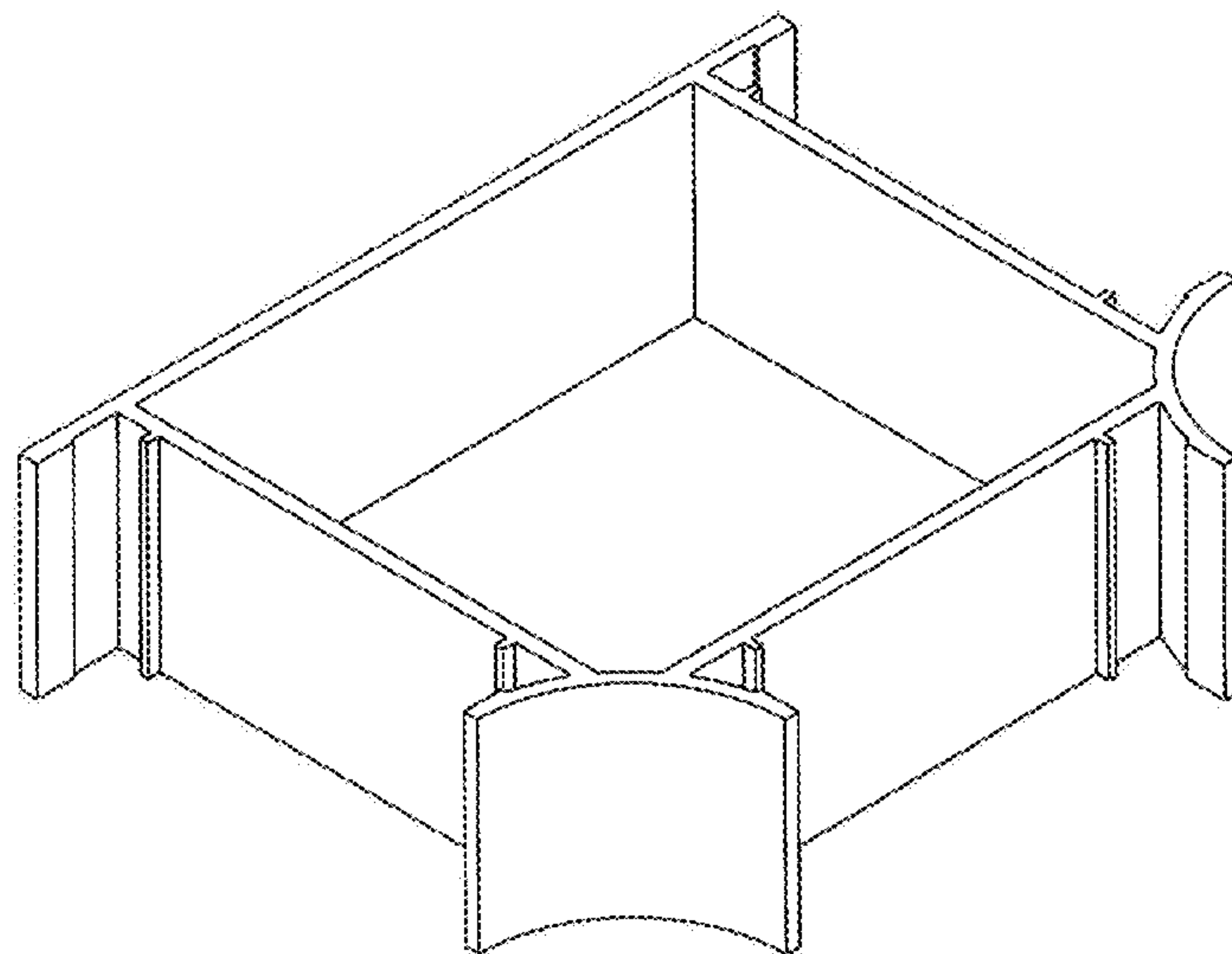
(57) **CLAIM**

The ornamental design for a curved clean room two corner piece, as shown and described.

**DESCRIPTION**

FIG. 1 is a left front isometric view of a curved clean room two corner piece.  
FIG. 2 is a right front isometric view of the curved clean room two corner piece.  
FIG. 3 is a right bottom isometric view of the curved clean room two corner piece.  
FIG. 4 is a front side view of the curved clean room two corner piece.  
FIG. 5 is a rear side view of the curved clean room two corner piece.  
FIG. 6 is a bottom view of the curved clean room two corner piece.  
FIG. 7 is a top view of the curved clean room two corner piece.  
FIG. 8 is a left side view of the curved clean room two corner piece; and,  
FIG. 9 is a right side view of the curved clean room two corner piece.

**1 Claim, 9 Drawing Sheets**



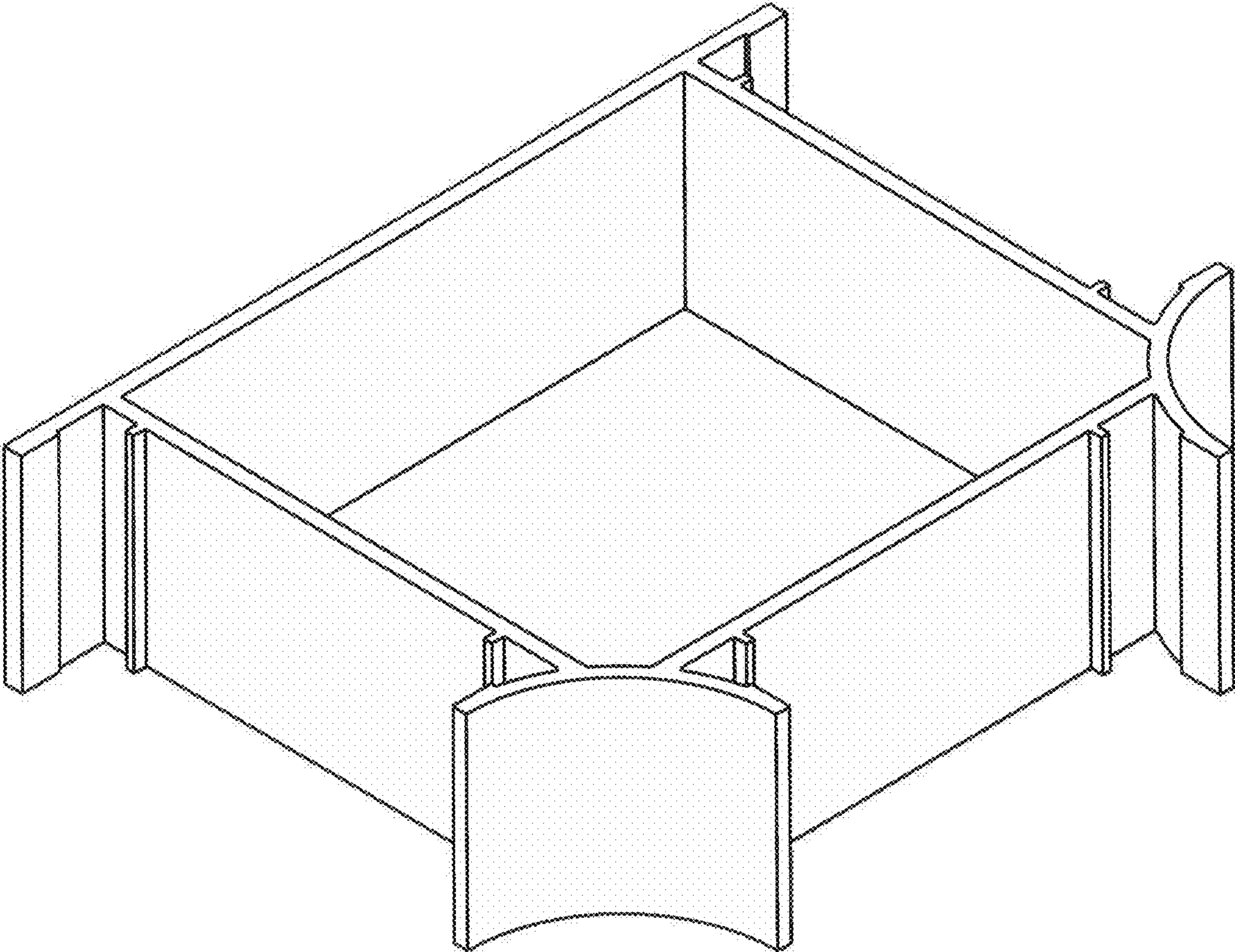


Fig. 1

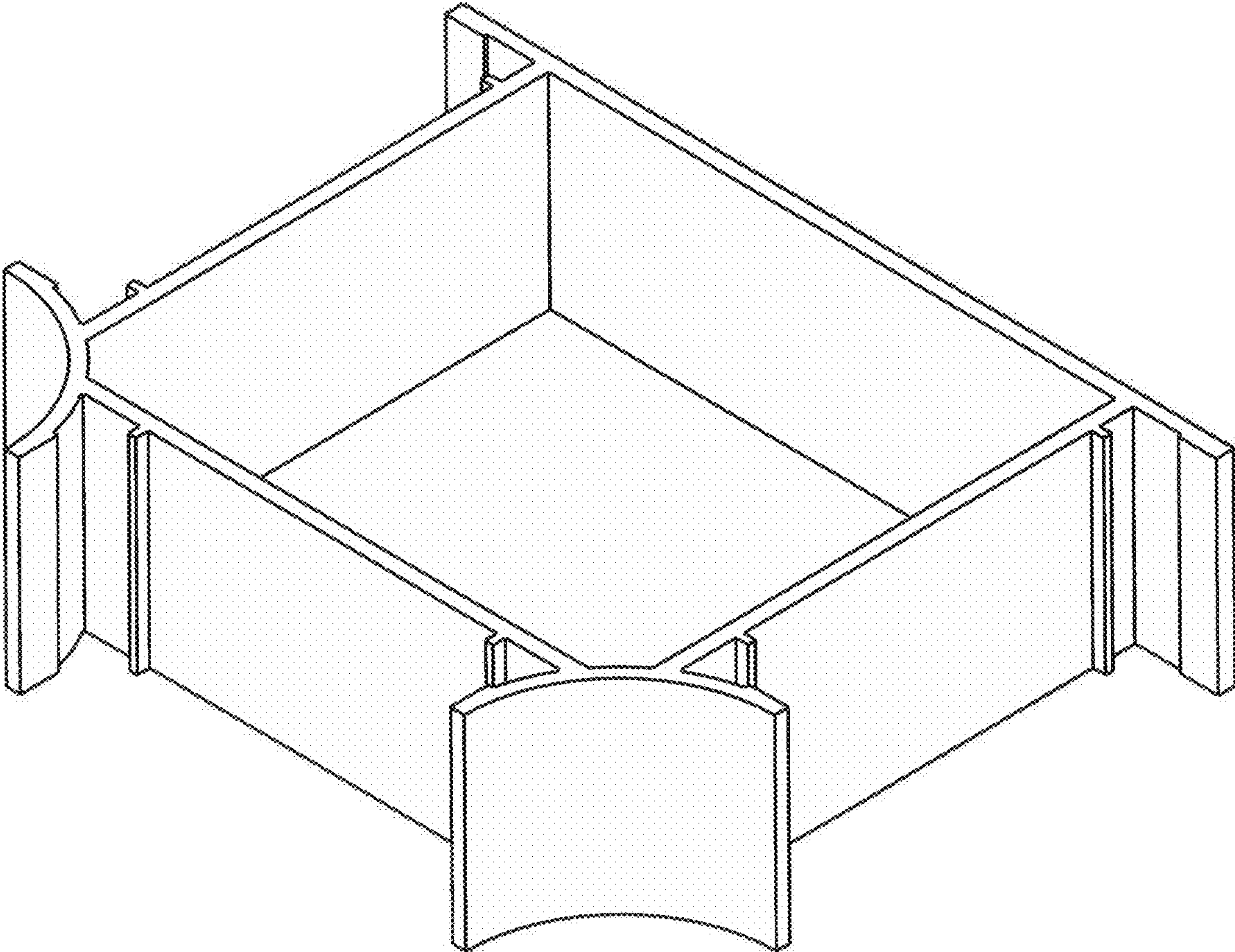


Fig. 2



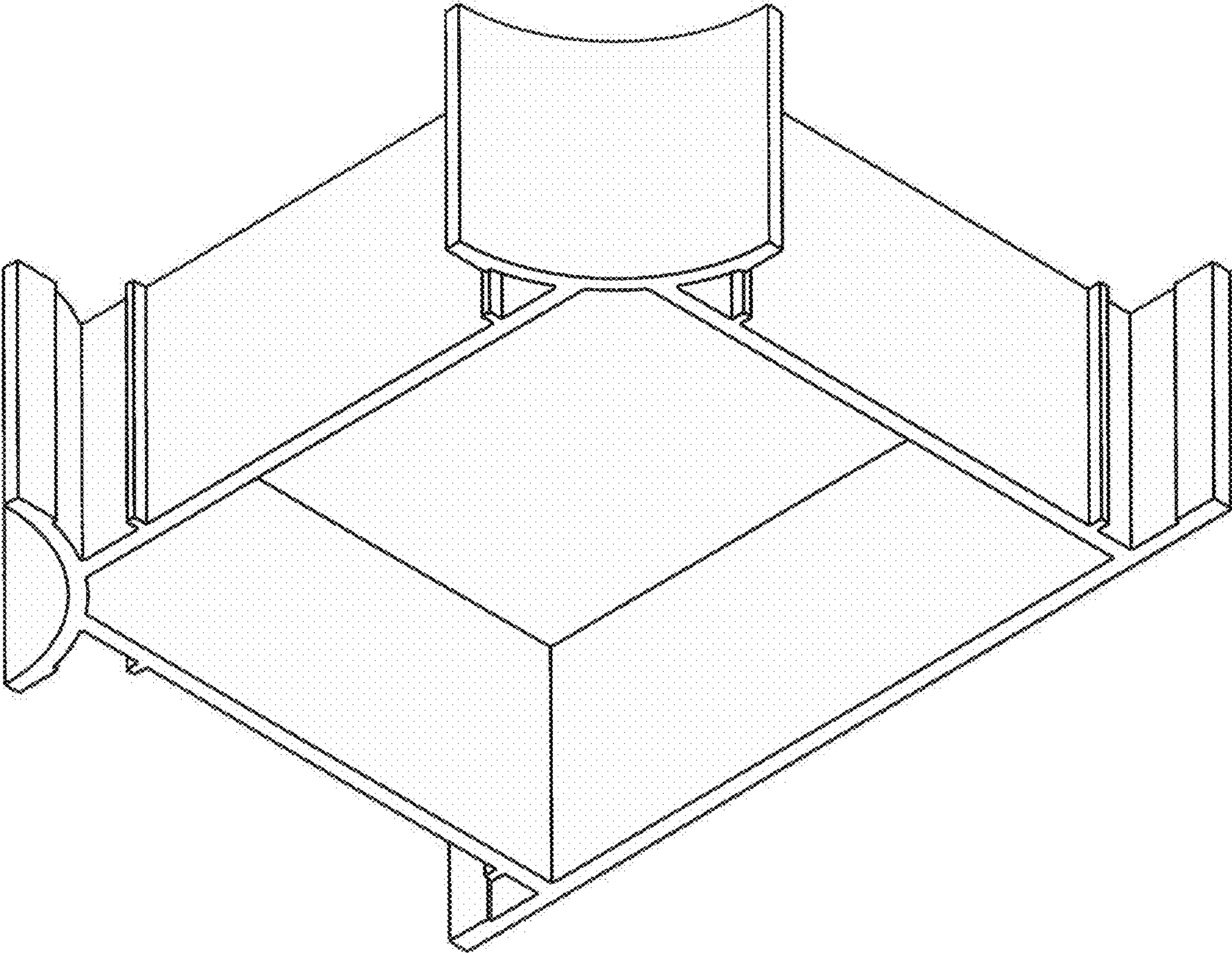


Fig. 3

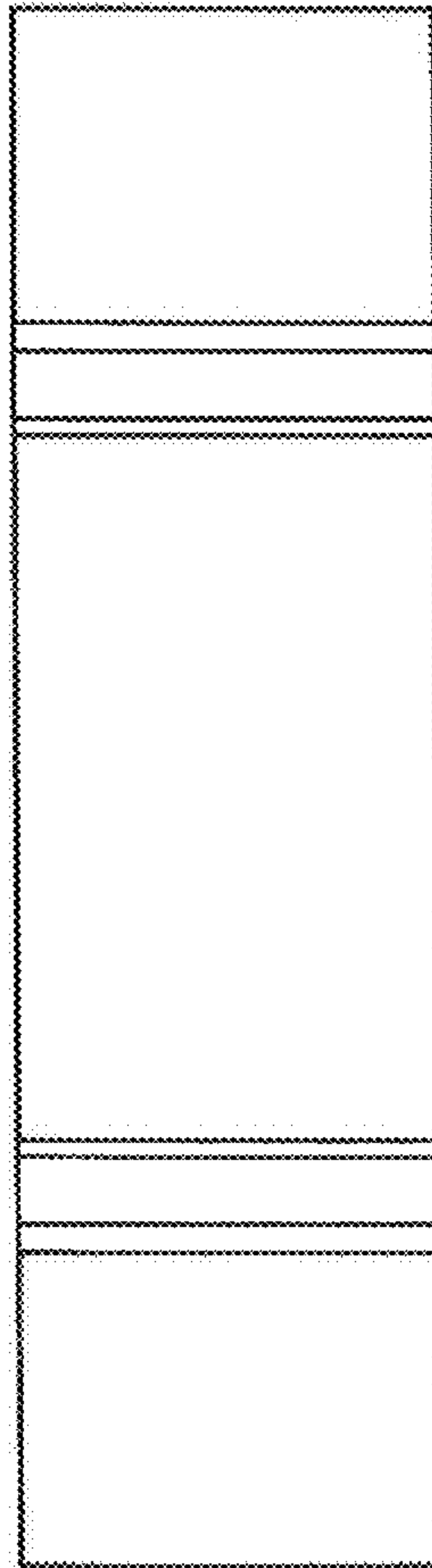


Fig. 4

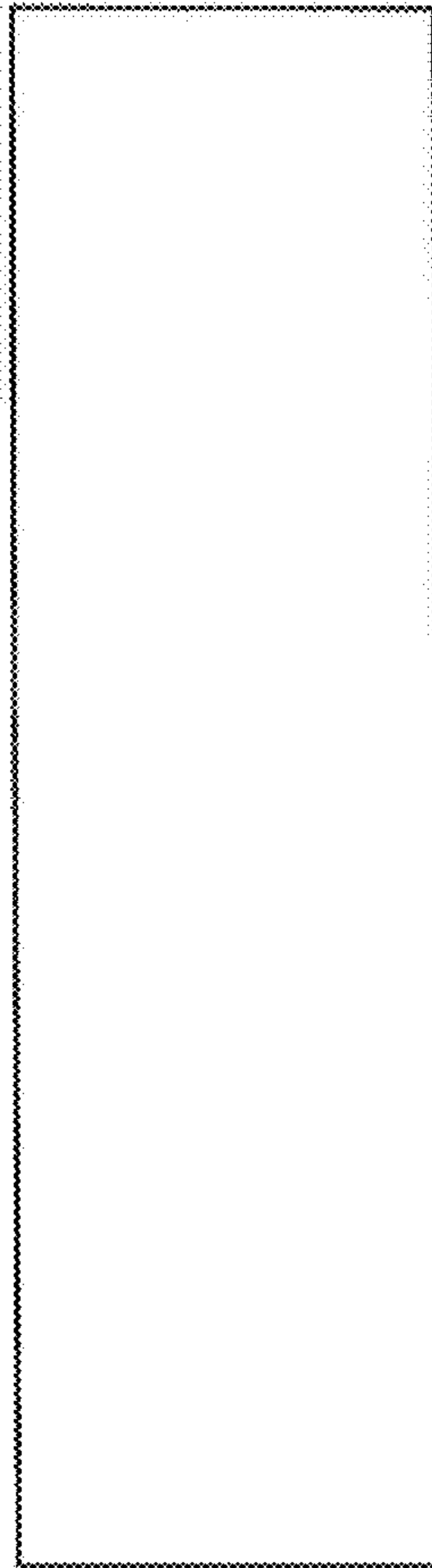


Fig. 5

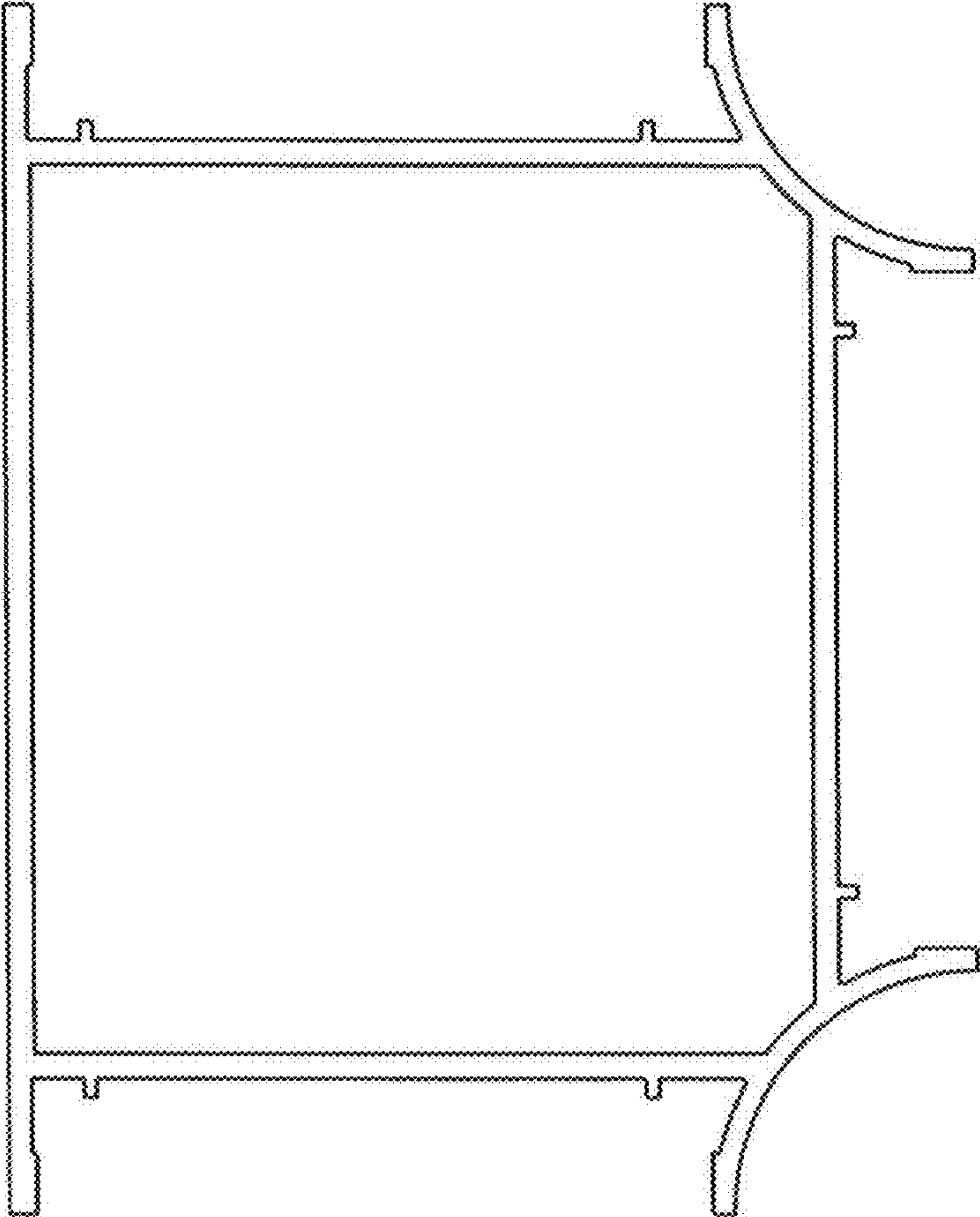


Fig. 6

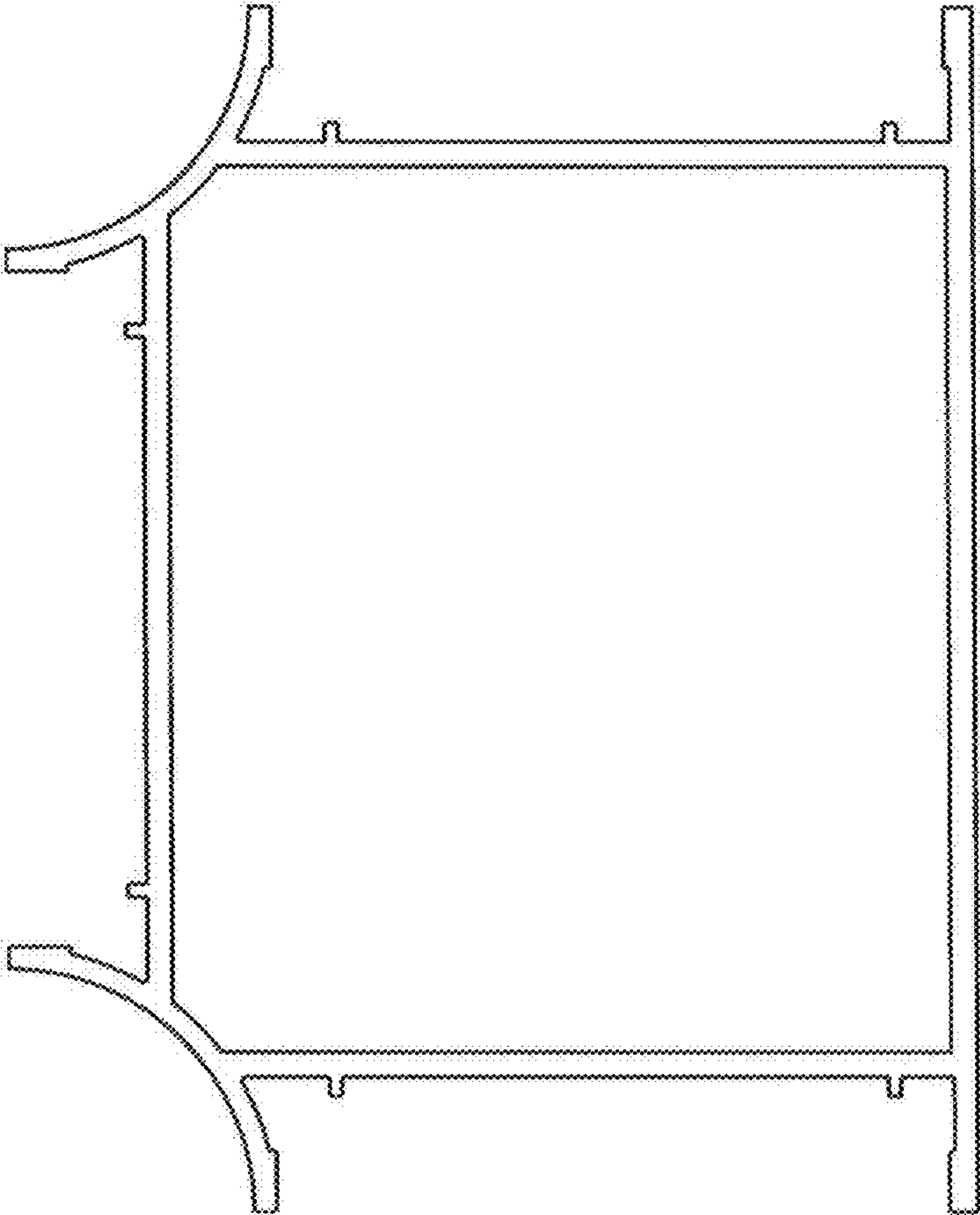


Fig. 7



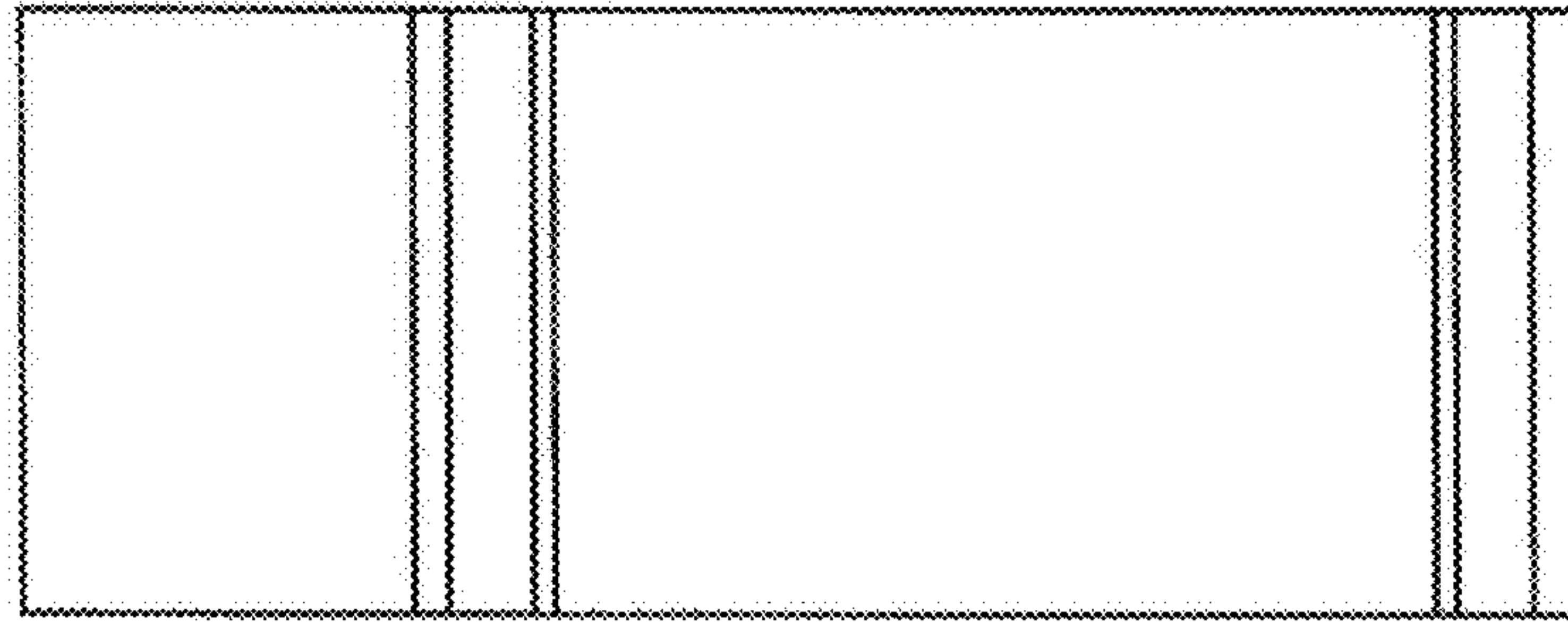


Fig. 8

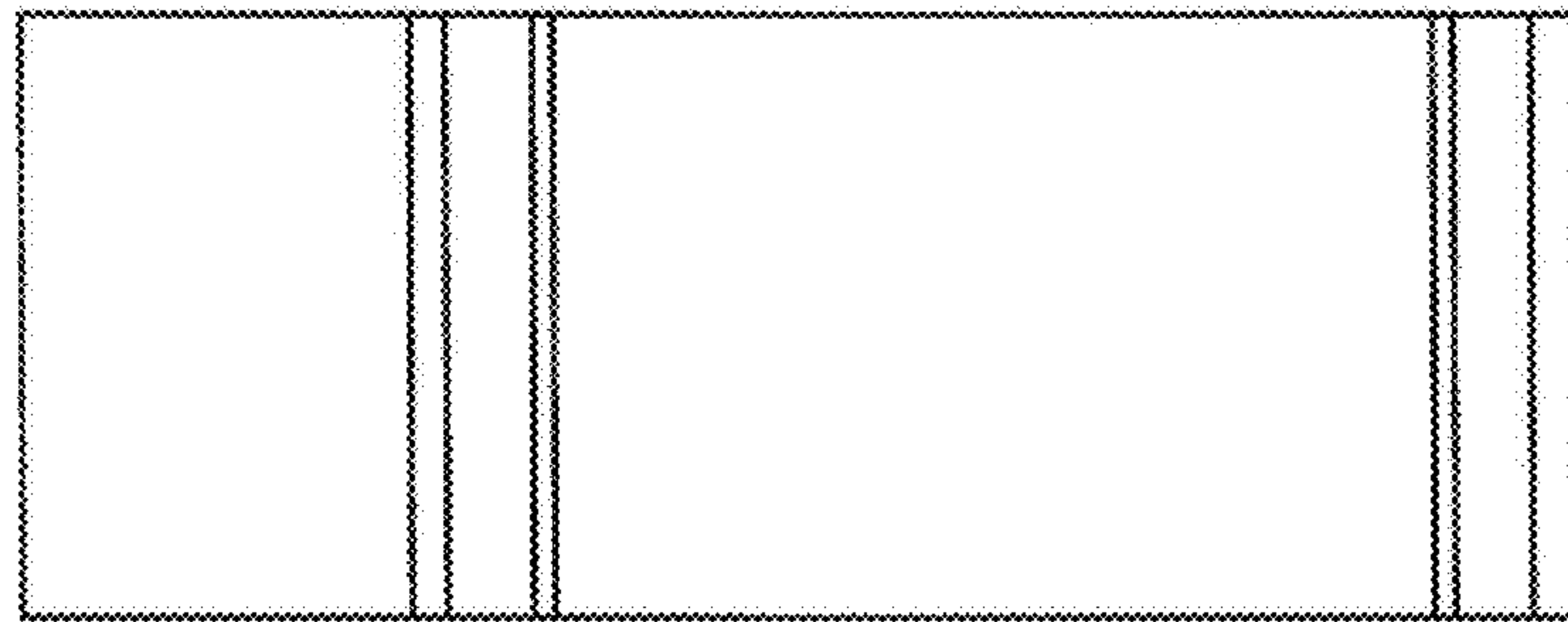


Fig. 9