



US00D945639S

(12) **United States Design Patent**  
**Anderson et al.**

(10) **Patent No.:** **US D945,639 S**  
(45) **Date of Patent:** **\*\* Mar. 8, 2022**

(54) **HOLDER FOR MEDICAL TUBING**

(71) Applicant: **Keymed (Medical & Industrial Equipment) Ltd**, Essex (GB)

(72) Inventors: **Oliver Anderson**, Essex (GB); **John Patrick Hynes**, Essex (GB)

(73) Assignee: **Keymed (Medical & Industrial Equipment) Ltd.**, Southend-on-Sea (GB)

(\*\*) Term: **15 Years**

(21) Appl. No.: **35/510,176**

(22) Filed: **Jul. 29, 2020**

(80) **Hague Agreement Data**

Int. Filing Date: **Jul. 29, 2020**

Int. Reg. No.: **DM/209832**

Int. Reg. Date: **Jul. 29, 2020**

Int. Reg. Pub. Date: **Aug. 28, 2020**

(30) **Foreign Application Priority Data**

Feb. 13, 2020 (GB) ..... 6083352

(51) **LOC (13) Cl.** ..... **24-02**

(52) **U.S. Cl.**  
USPC ..... **D24/227**

(58) **Field of Classification Search**

USPC ..... D24/128, 108, 112, 113-114, 127, 133,  
D24/137, 138, 143, 145, 227, 229, 231,  
D24/232; D6/540, 546, 554, 556;  
D8/349, 371, 373

CPC ..... A47G 7/045; A47G 7/044; A47G 7/047;  
A47G 7/07; A61B 17/00; A61B 18/00;  
A61B 1/0052; A01G 9/12

See application file for complete search history.

(56) **References Cited**

**U.S. PATENT DOCUMENTS**

D347,538 S \* 6/1994 Fleischer ..... D28/73  
D406,715 S \* 3/1999 Badillo ..... D6/567

D494,399 S \* 8/2004 Rodriguez ..... D6/567  
D595,423 S \* 6/2009 Johansson ..... D24/229  
D700,705 S \* 3/2014 Kitt ..... D24/185  
D743,048 S \* 11/2015 Kuran ..... D24/231  
D872,300 S \* 1/2020 Demsia ..... D24/227  
D896,955 S \* 9/2020 Wiechman ..... D24/128  
10,773,375 B2 \* 9/2020 Mefferd ..... B25H 3/003  
10,966,891 B2 \* 4/2021 Kitt ..... A61G 12/001  
2004/0079716 A1 \* 4/2004 Hester ..... A47K 1/09  
211/66  
2016/0000993 A1 \* 1/2016 Endyk ..... A61M 5/008  
211/85.13

\* cited by examiner

*Primary Examiner* — Michael A. Pratt

(74) *Attorney, Agent, or Firm* — Leydig, Voit & Mayer, Ltd.

(57) **CLAIM**

An ornamental design for a holder for medical tubing, as shown and described.

**DESCRIPTION**

FIG. 1.1 is front perspective view of our design of a holder for medical tubing.

FIG. 1.2 is a rear perspective view of the holder for medical tubing of FIG. 1.1.

FIG. 1.3 is a top plan view of the holder for medical tubing of FIGS. 1.1 and 1.2.

FIG. 1.4 is a bottom elevational view of the holder for medical tubing of FIGS. 1.1-1.3.

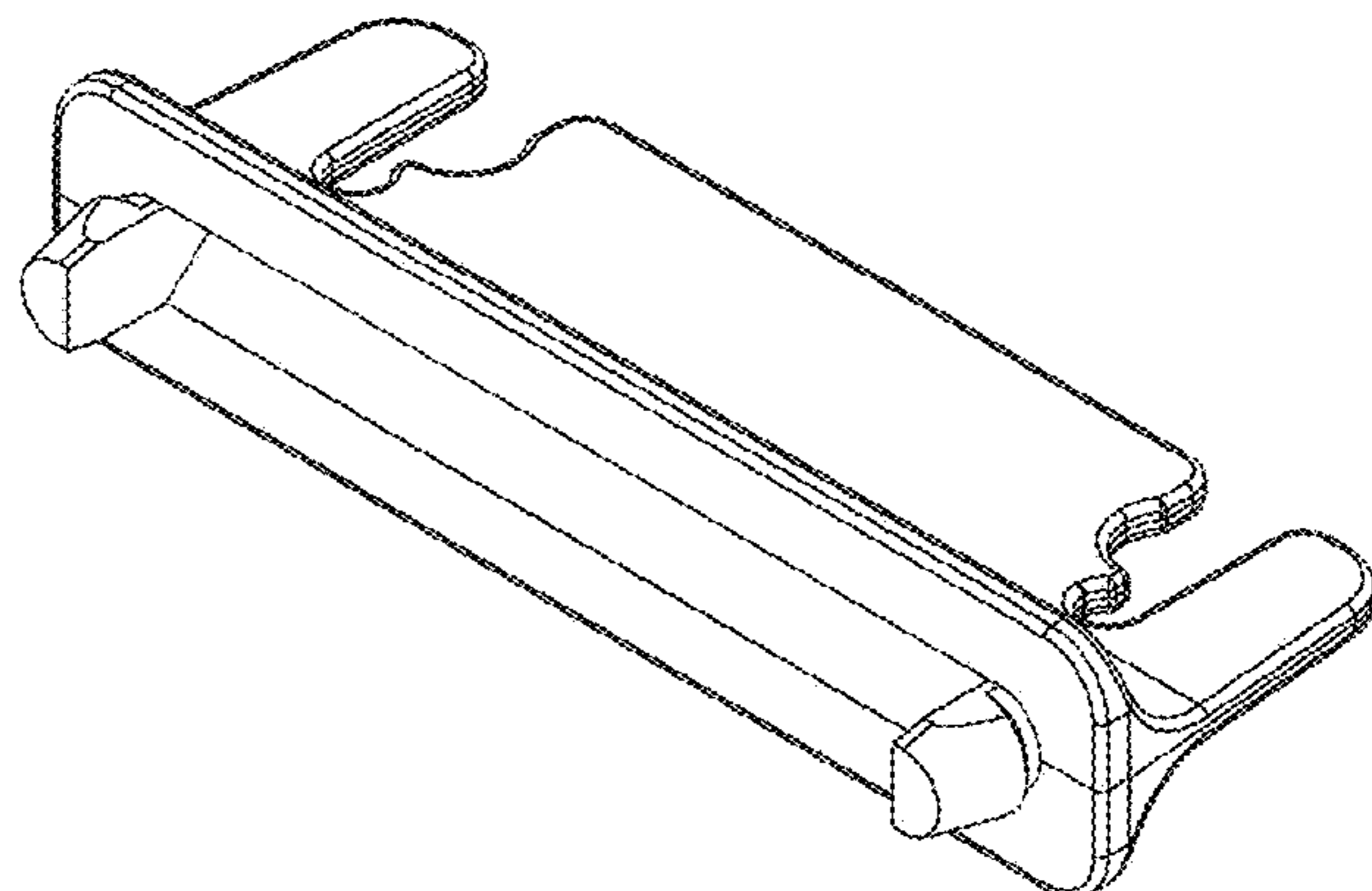
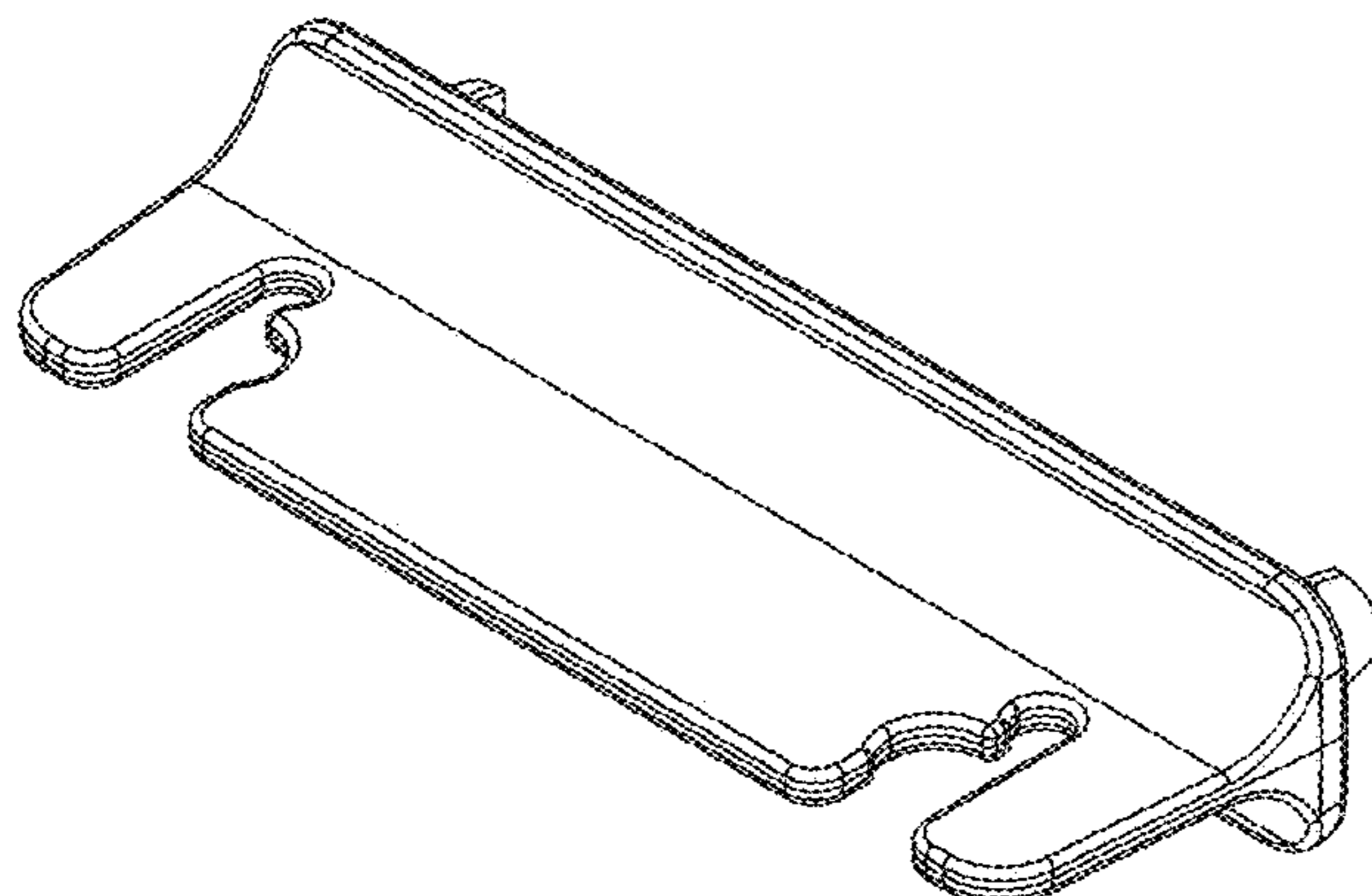
FIG. 1.5 is a front elevational view of the holder for medical tubing of FIGS. 1.1-1.4.

FIG. 1.6 is a rear elevational view of the holder for medical tubing of FIGS. 1.1-1.5.

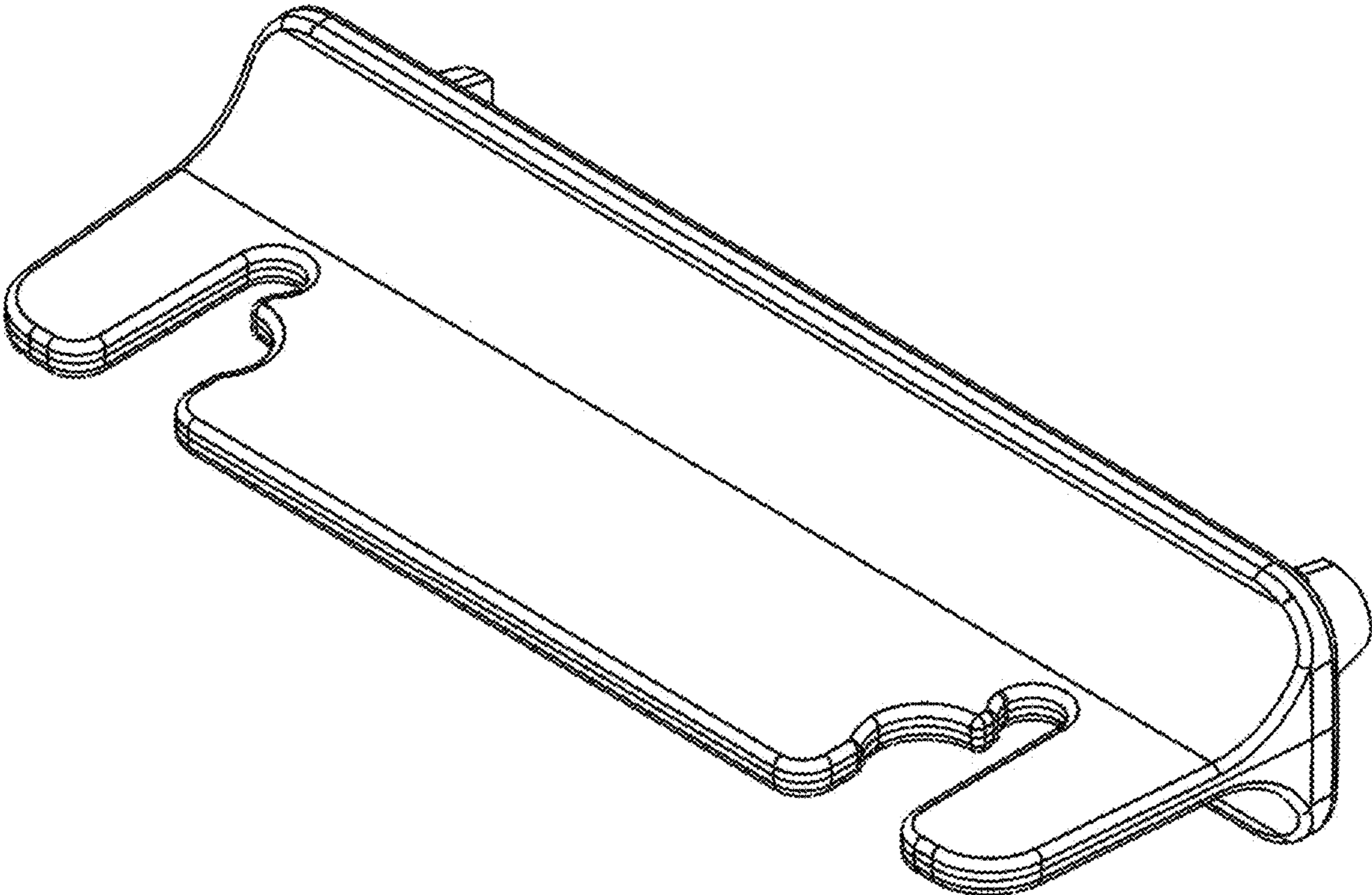
FIG. 1.7 is a left side elevational view of the holder for medical tubing of FIGS. 1.1-1.6.

FIG. 1.8 is right side elevational view of the holder for medical tubing of FIGS. 1.1-1.7.

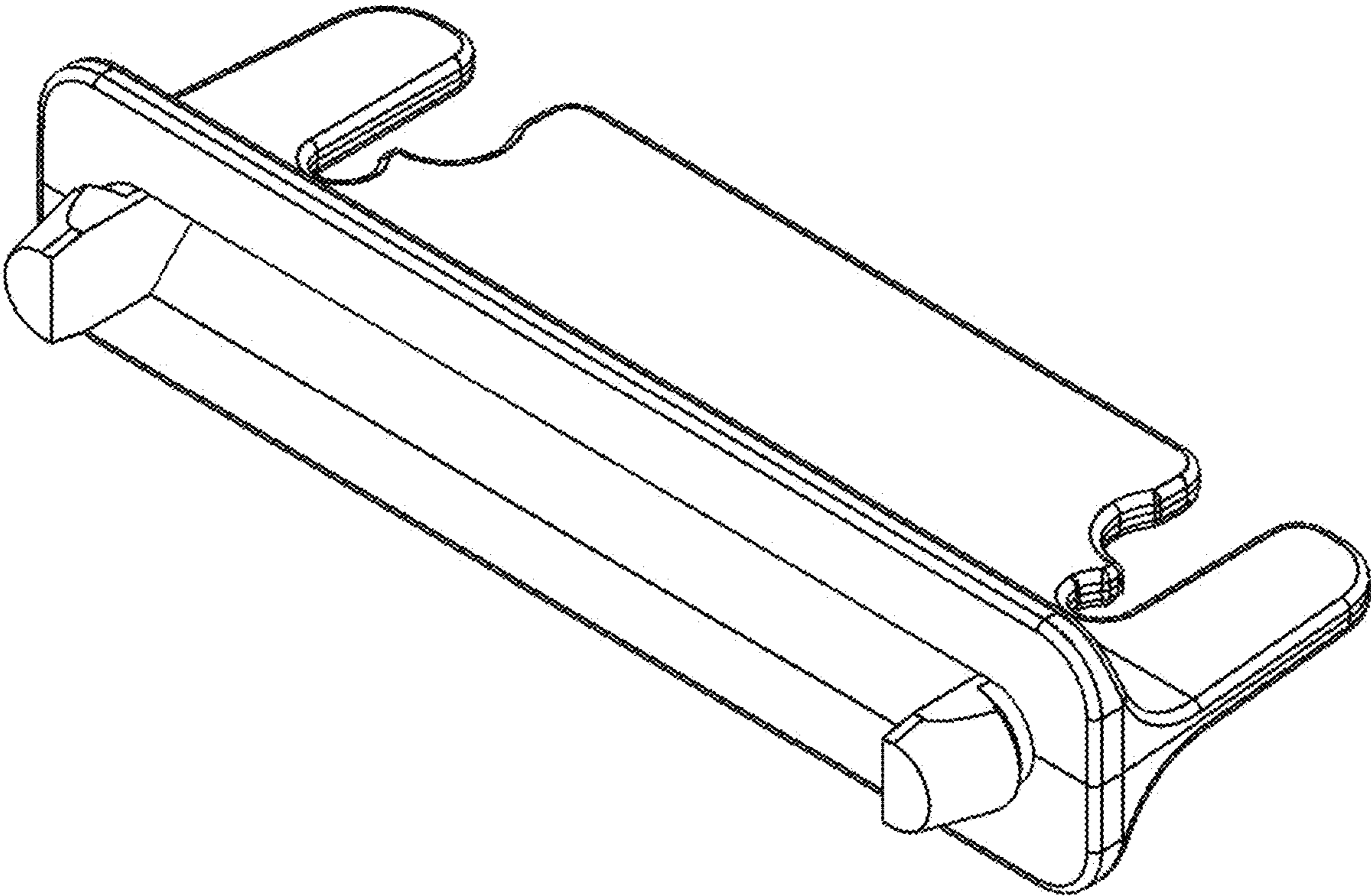
**1 Claim, 8 Drawing Sheets**



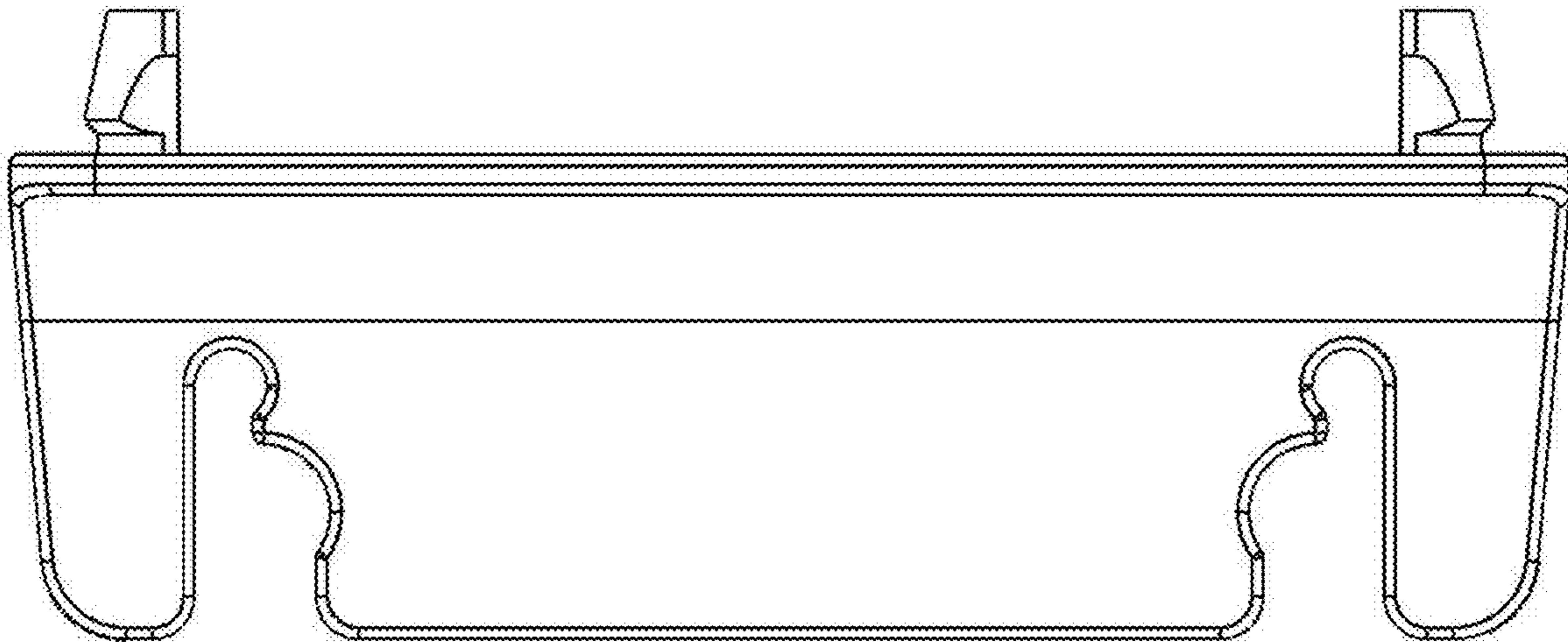
1.1



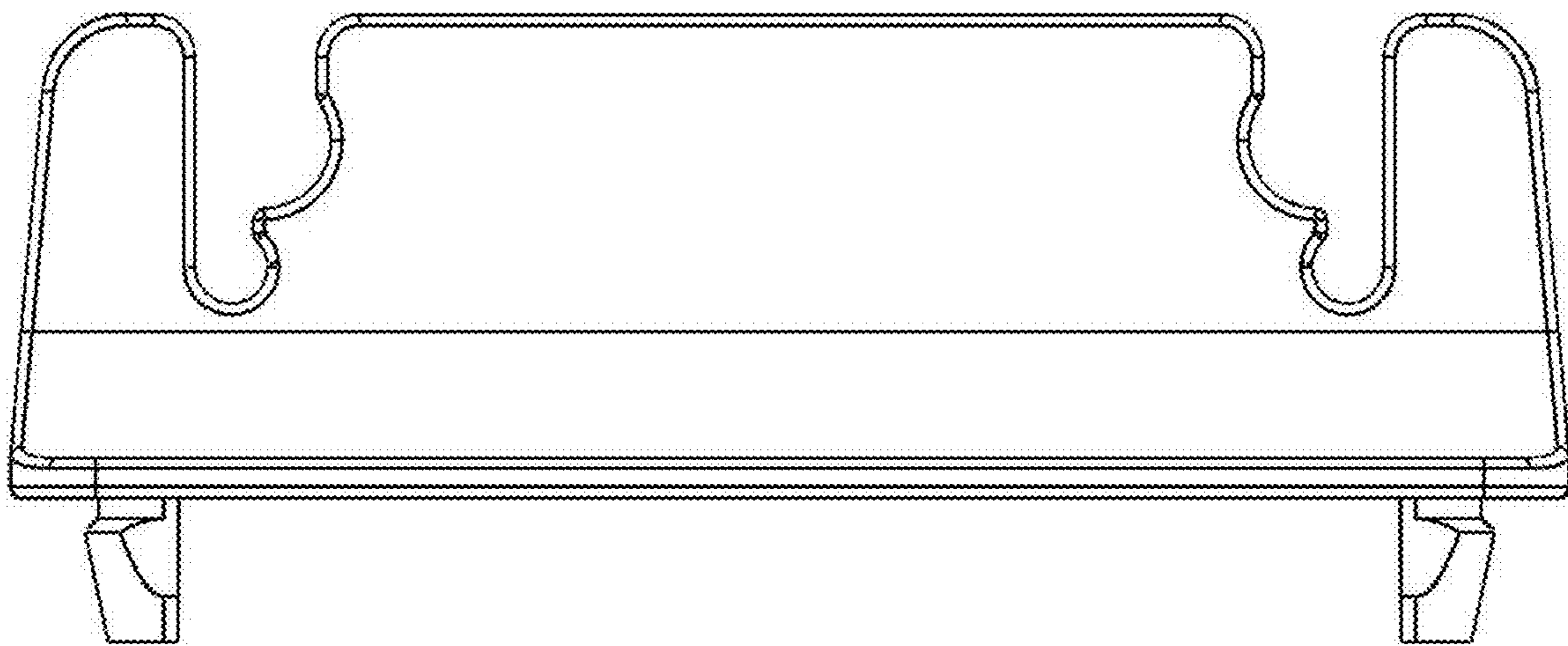
1.2



1.3



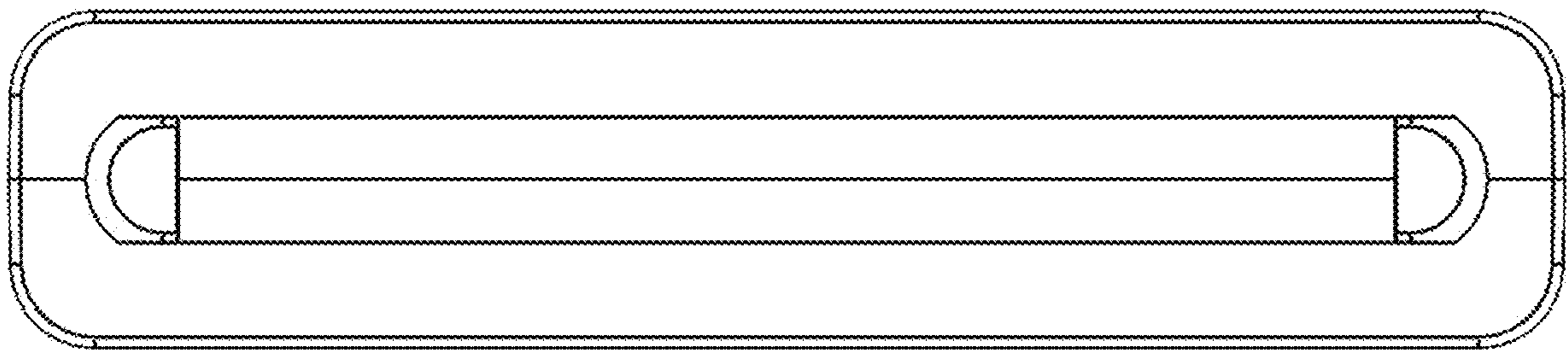
1.4



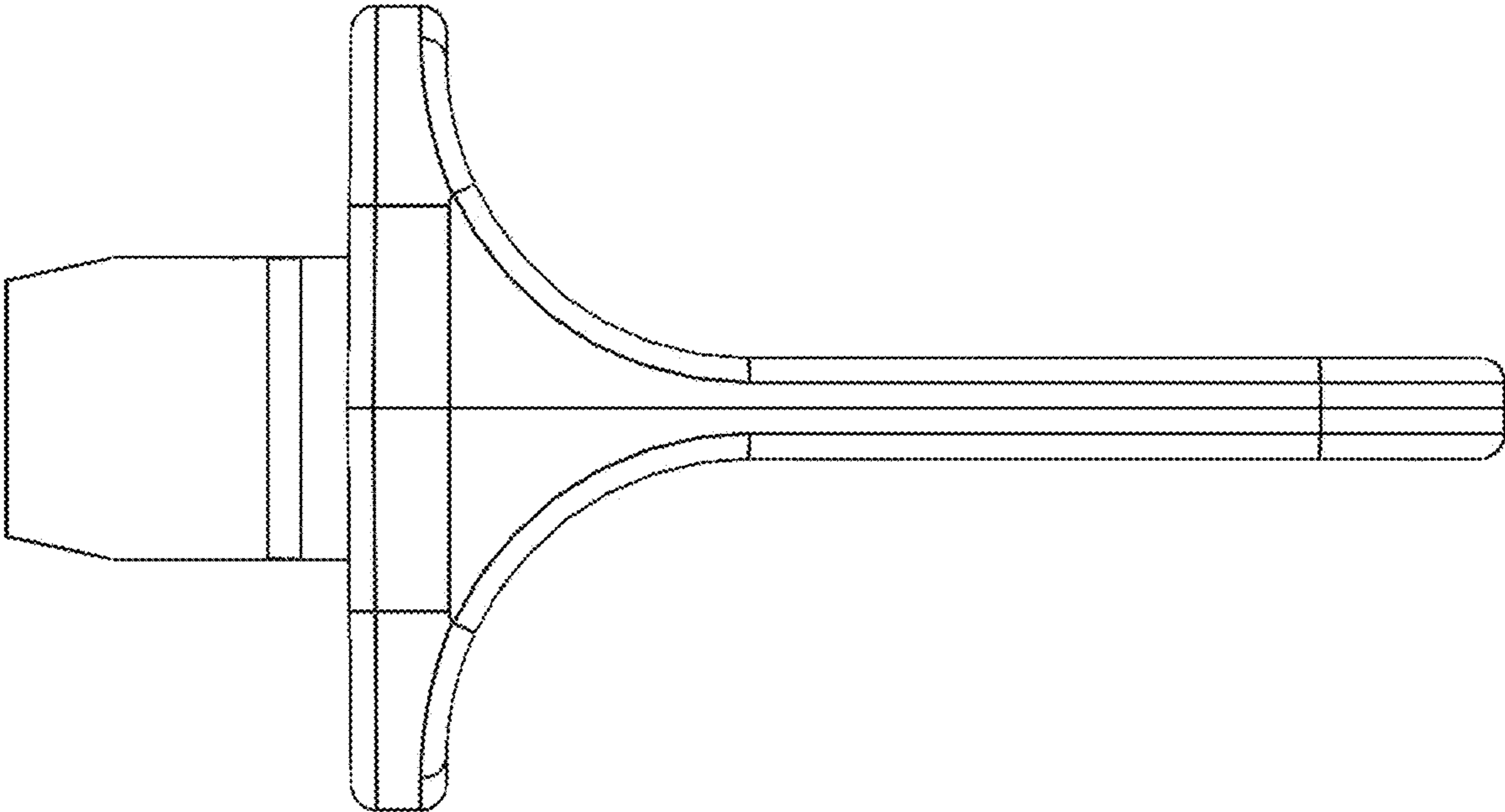
1.5



1.6



1.7





1.8

