



US00D945635S

(12) **United States Design Patent**  
**Wang**

(10) **Patent No.:** **US D945,635 S**  
(45) **Date of Patent:** **\*\* Mar. 8, 2022**

(54) **FOOT MASSAGER**

(71) Applicant: **Zeming Wang**, Zhejiang (CN)

(72) Inventor: **Zeming Wang**, Zhejiang (CN)

(\*\*) Term: **15 Years**

(21) Appl. No.: **29/738,058**

(22) Filed: **Jun. 15, 2020**

(30) **Foreign Application Priority Data**

Dec. 31, 2019 (CN) ..... 201930743443.3

(51) **LOC (13) Cl.** ..... **28-03**

(52) **U.S. Cl.**  
USPC ..... **D24/213; D24/215**

(58) **Field of Classification Search**  
USPC ..... D24/215, 200, 211, 212, 213, 214, 133  
CPC ..... A61H 1/00; A61H 33/00; A61H 35/00;  
A61H 35/006; A61H 2201/1642; A61H  
2201/1645; A61H 2205/00; A61H  
2205/12; A61H 2205/125; A61H  
2205/106; A16H 2205/10

See application file for complete search history.

(56) **References Cited**

**U.S. PATENT DOCUMENTS**

D254,504 S *	3/1980	Myers	.....	D24/133
D329,499 S *	9/1992	Ohashi	.....	D24/213
D524,947 S *	7/2006	Gleason	.....	D24/213
D527,460 S *	8/2006	Kawamura	.....	D24/200
D548,352 S *	8/2007	Maesawa	.....	D24/212
D548,353 S *	8/2007	Maesawa	.....	D24/212
D846,752 S *	4/2019	Zhou	.....	D24/213
2005/0137502 A1 *	6/2005	Harashima	.....	A61H 1/008 601/84
2007/0078362 A1 *	4/2007	Chen	.....	A61H 15/0078 601/94
2010/0318004 A1 *	12/2010	Numata	.....	A61H 7/007 601/16

**OTHER PUBLICATIONS**

Tisscare—Shiatsu Massager Machine. Date: Oct. 28, 2019 . [online]. [Site visited Aug. 5, 2021]. Available from Internet URL: <https://www.amazon.com/dp/B07ZNDCF8W/> (Year: 2019).\*

Cloud Massage Shiatsu Foot Massager Machine. Date: Aug. 8, 2017. [online]. [Site visited Jul. 16, 2021]. Available from Internet URL: <https://www.amazon.com/dp/B074P2M8N8/> (Year: 2017).\*

Foot massagers. (Design—© Questel) orbit.com. [Online PDF compilation of references] 39 pgs. Print Dates Range Jul. 27, 2016-Jan. 3, 2020 [Retrieved Jul. 21, 2021] <https://www.orbit.com/export/UCZAH96B/pdf4/361c609d-590d-493f-a6f5-db17b701332e-170010.pdf> (Year: 2021).\*

\* cited by examiner

*Primary Examiner* — Susan Bennett Hattan

*Assistant Examiner* — Landon Thomas Cassell

(74) *Attorney, Agent, or Firm* — True Shepherd LLC;  
Andrew C. Cheng

(57) **CLAIM**

The ornamental design for a foot massager, as shown and described.

**DESCRIPTION**

FIG. 1 is a top, front and right side perspective view of a foot massager showing my new design;

FIG. 2 is a bottom, rear and left side perspective view thereof;

FIG. 3 is a front elevational view thereof;

FIG. 4 is a rear elevational view thereof;

FIG. 5 is a left side view thereof;

FIG. 6 is a right side view thereof;

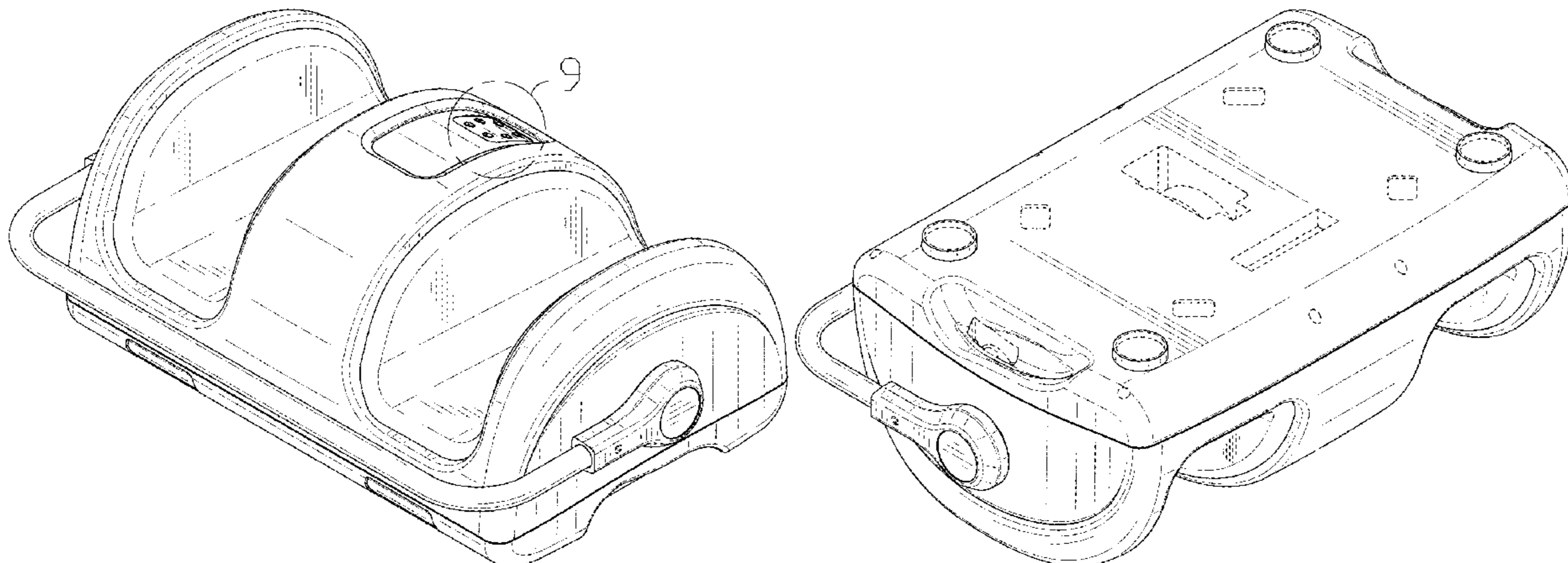
FIG. 7 is a top plan view thereof;

FIG. 8 is a bottom plan view thereof; and,

FIG. 9 is an enlarged view of portion 9 in FIG. 1.

The broken lines in the drawings illustrate portions of the foot massager which form no part of the claimed design.

**1 Claim, 9 Drawing Sheets**



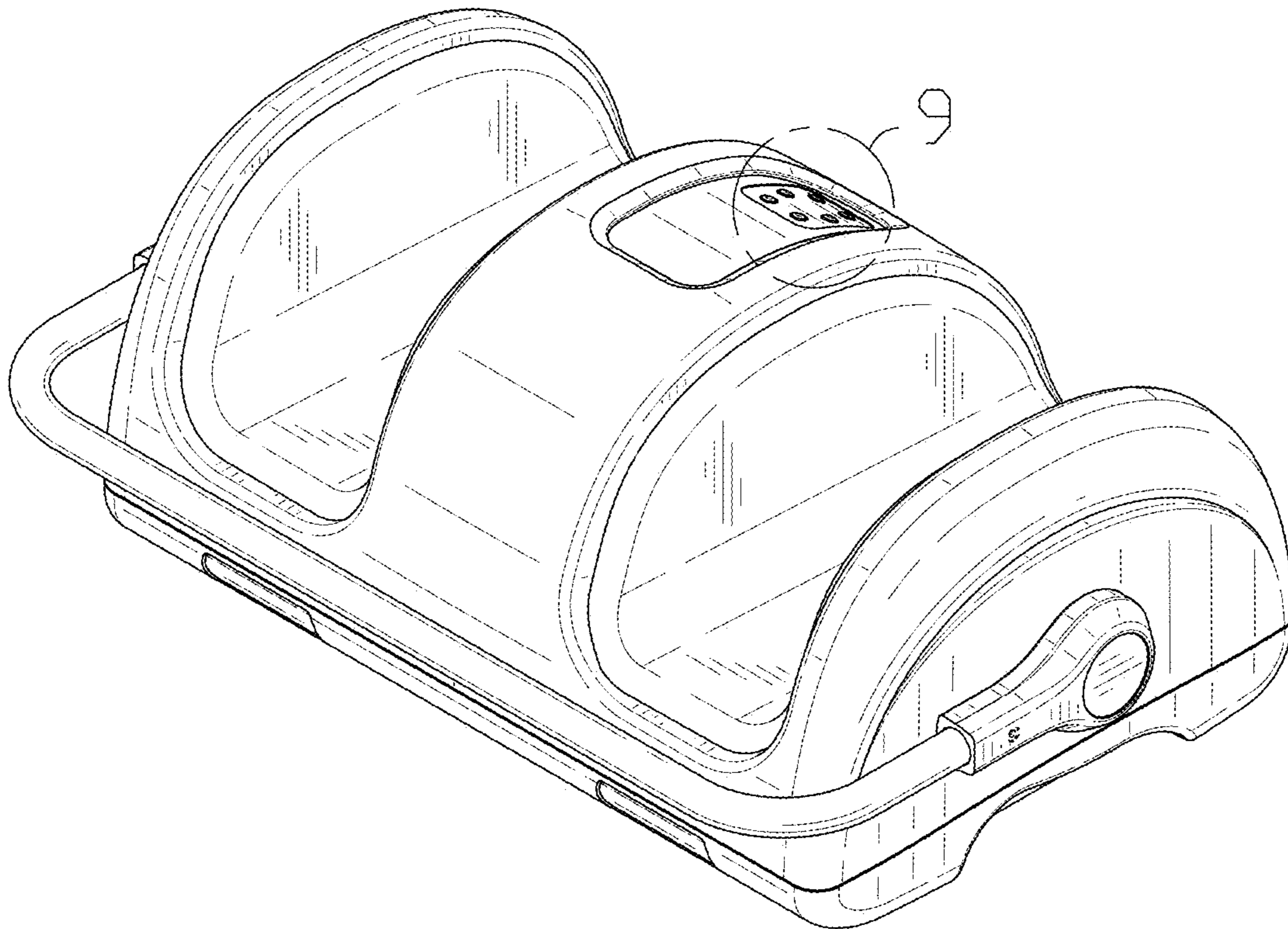


FIG. 1

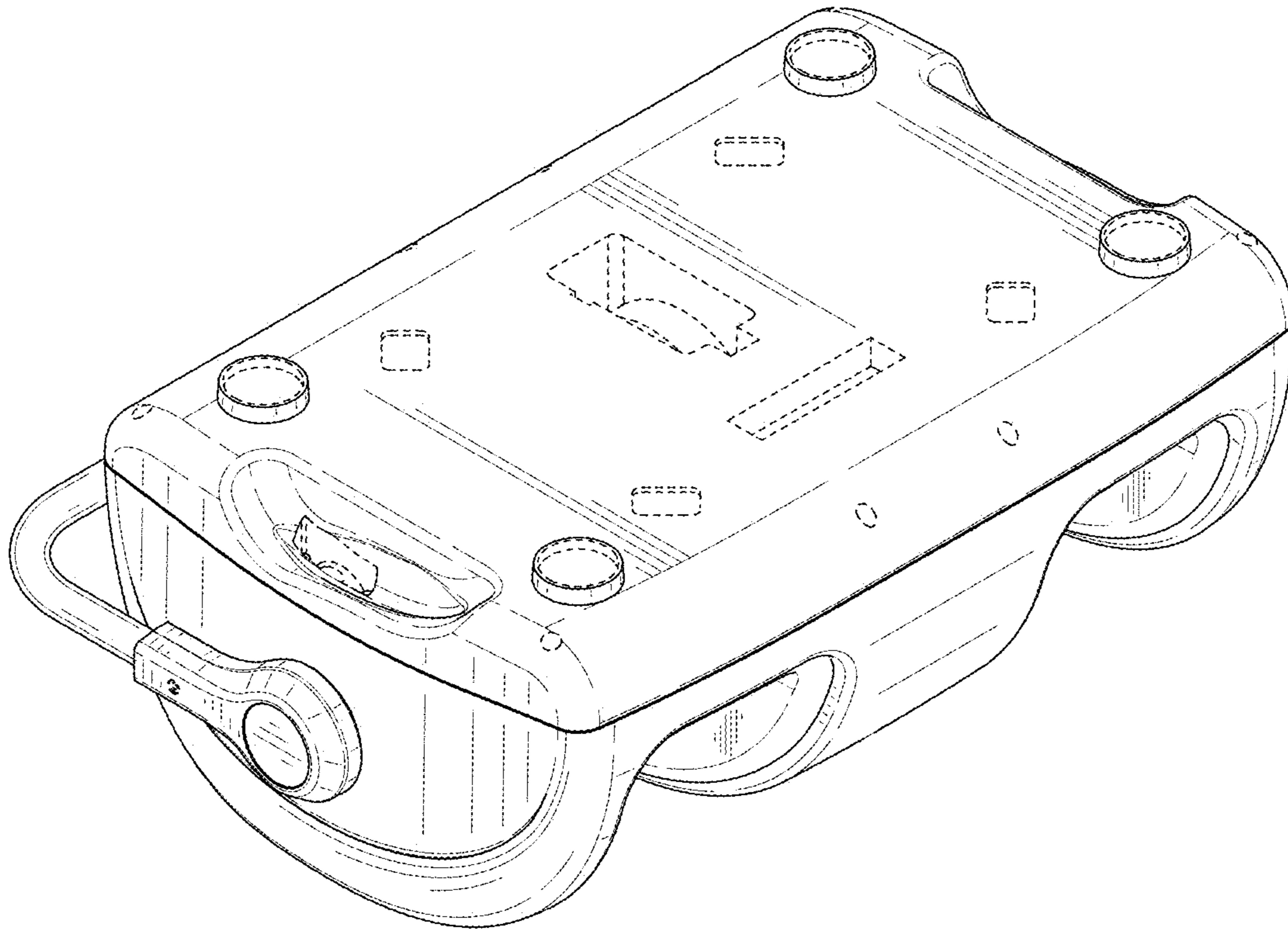


FIG. 2

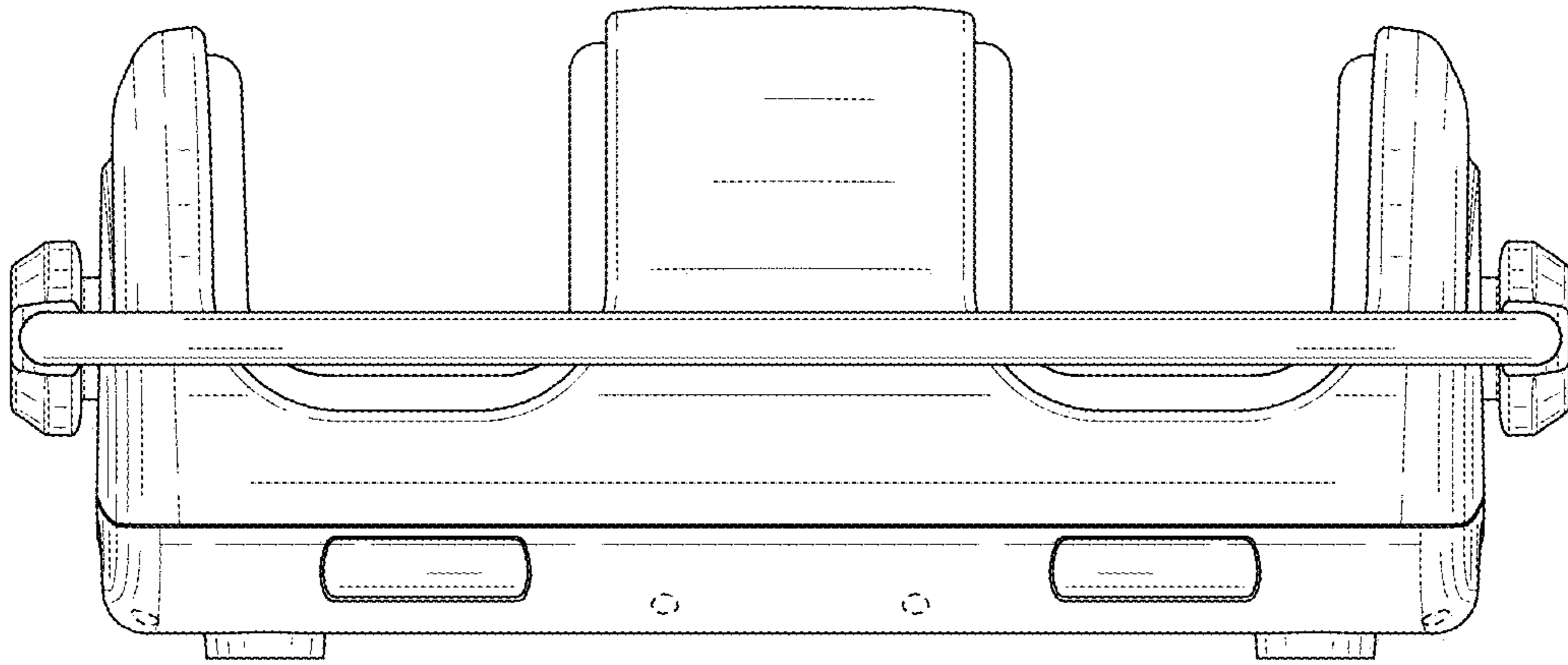


FIG. 3

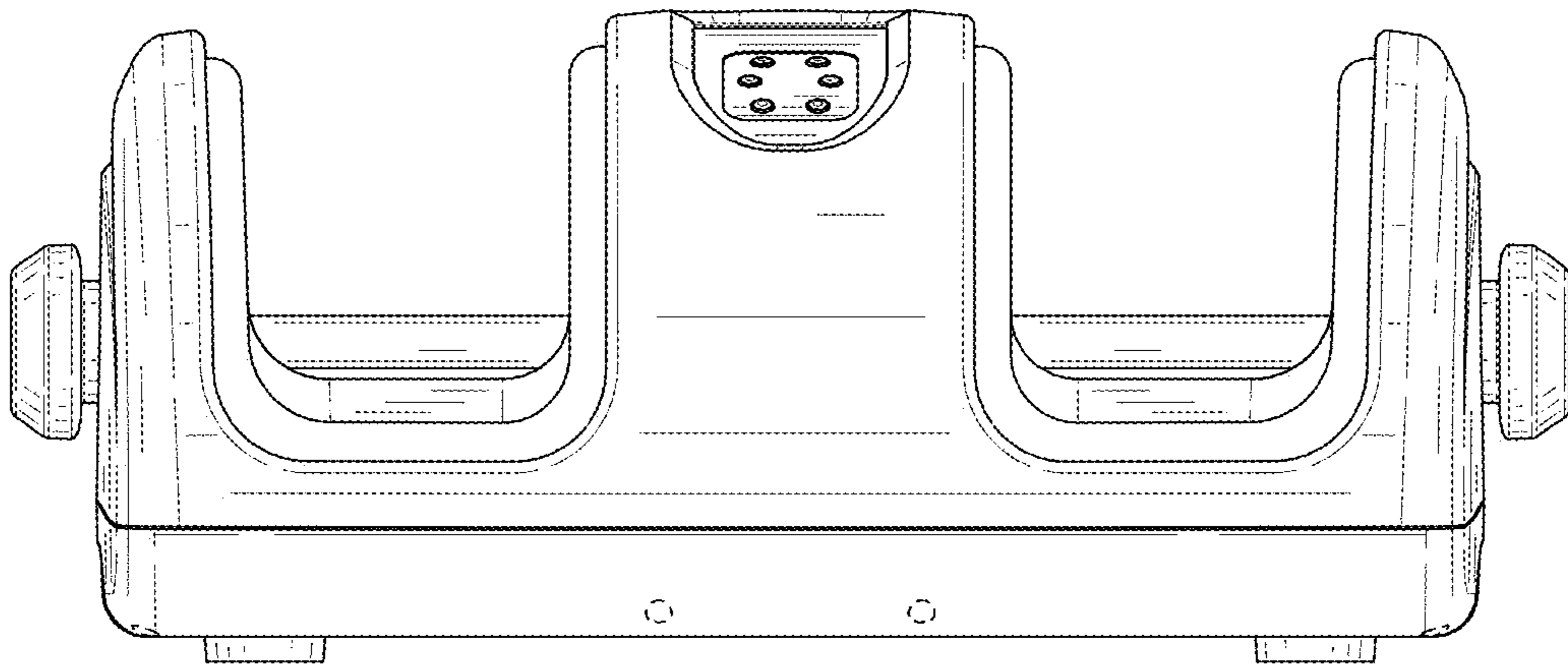


FIG. 4

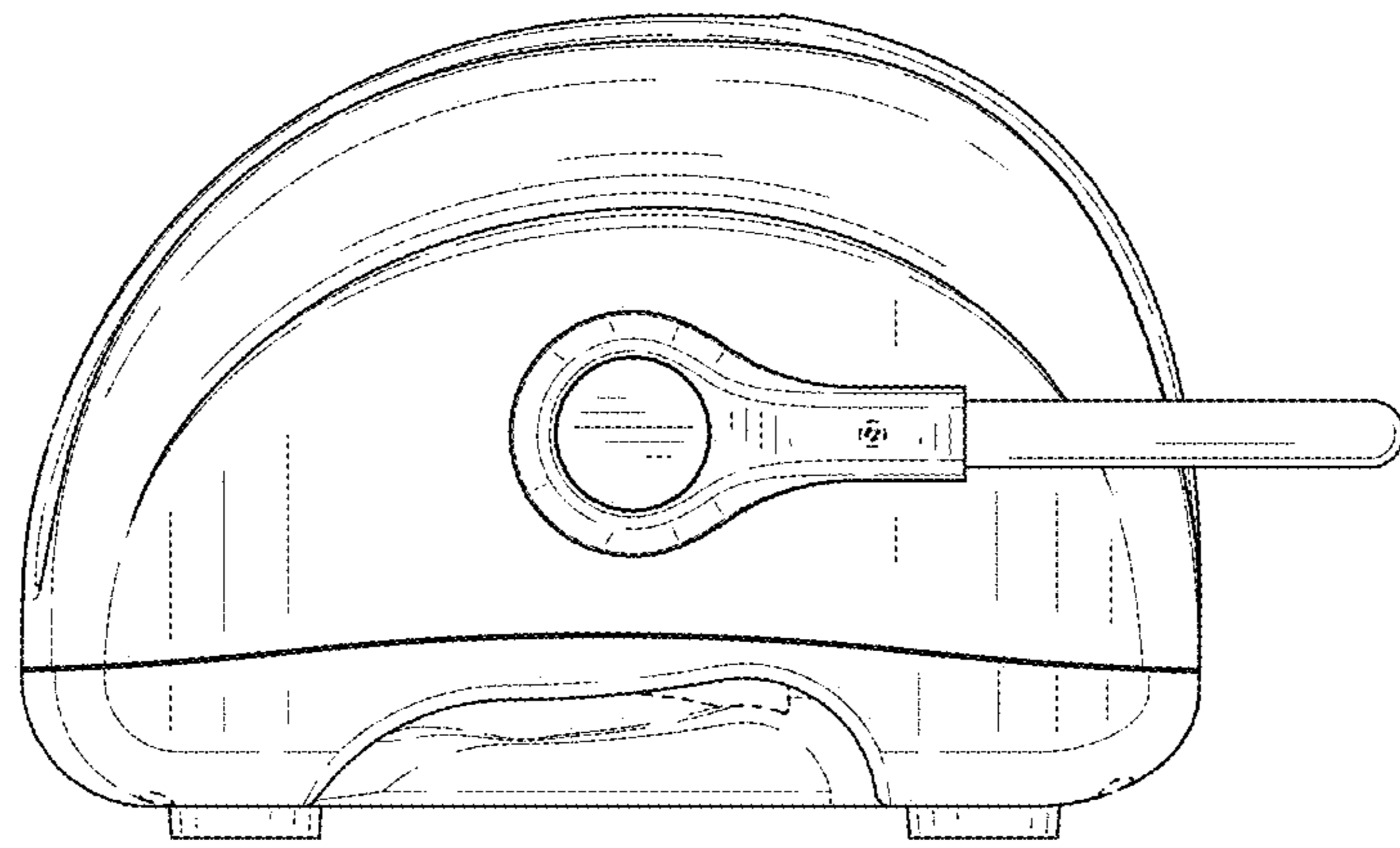


FIG. 5

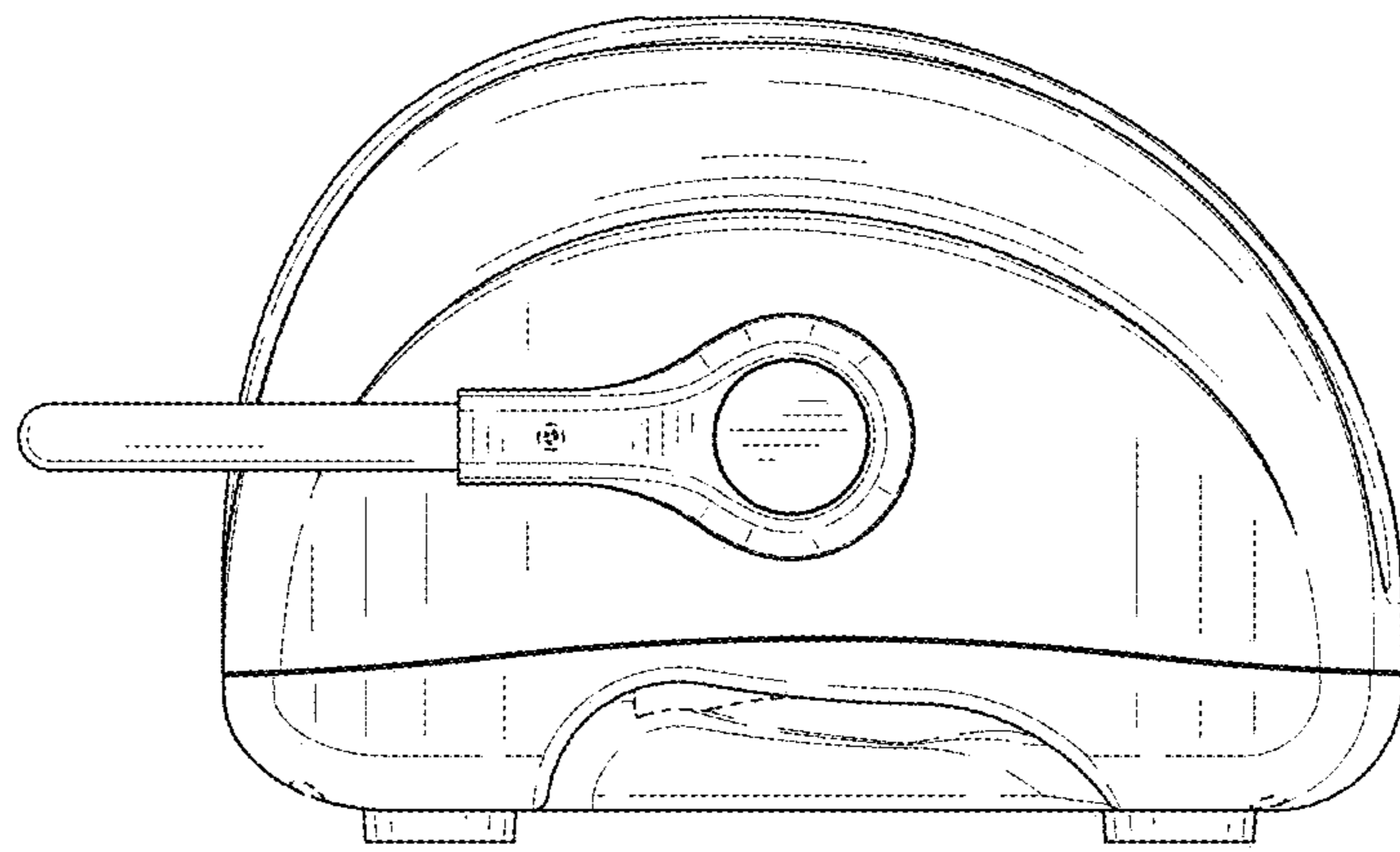


FIG. 6

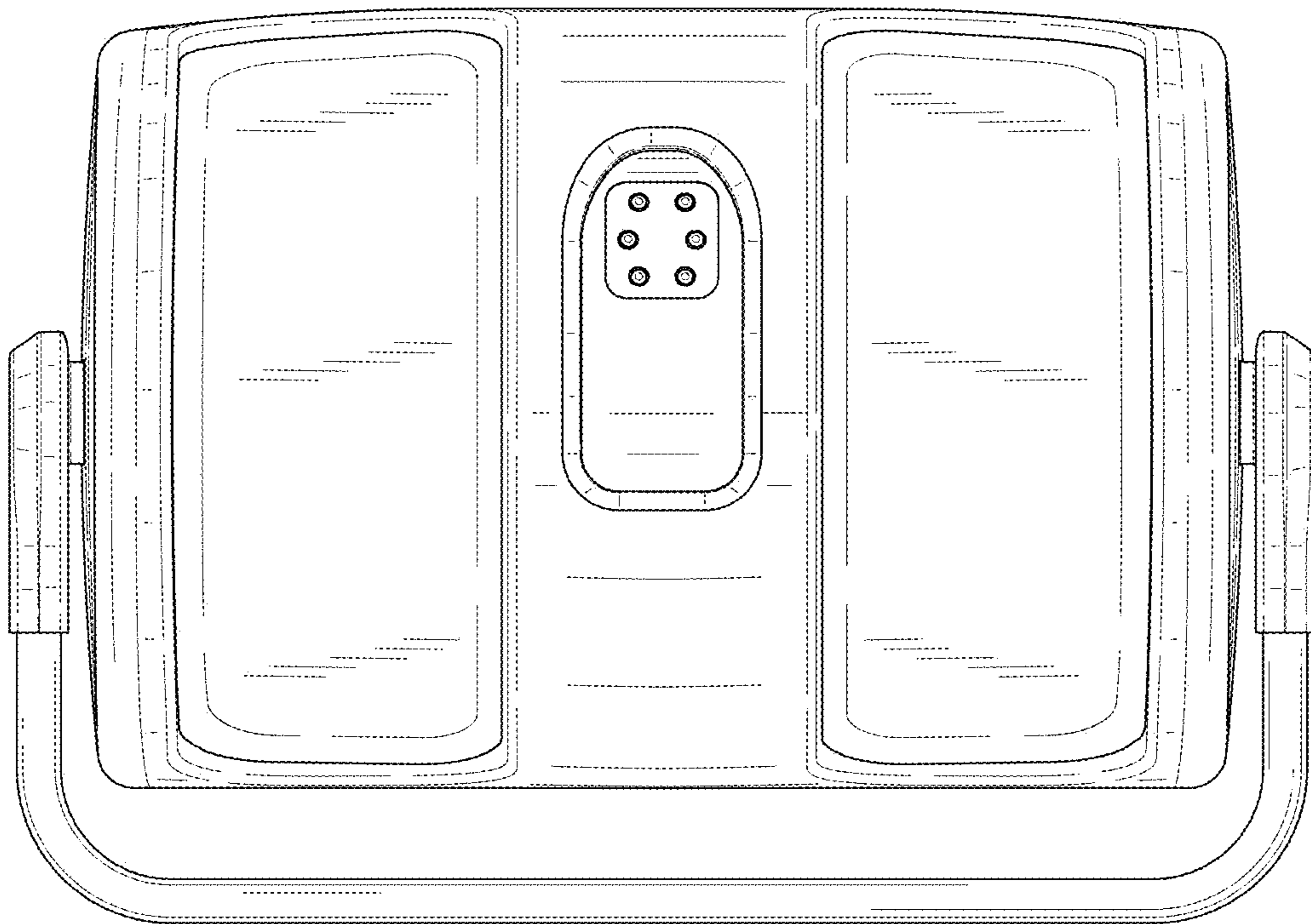


FIG. 7



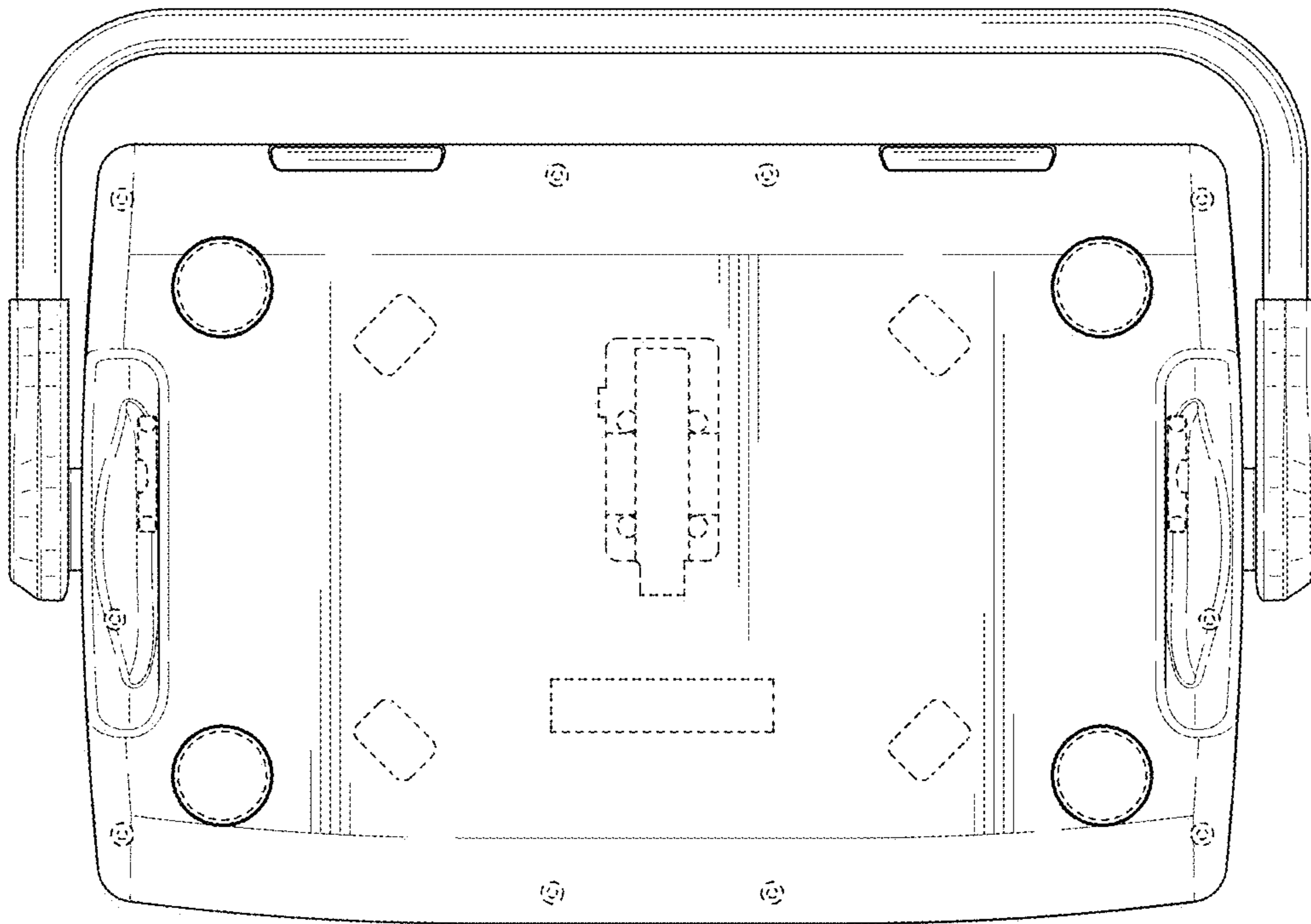


FIG. 8

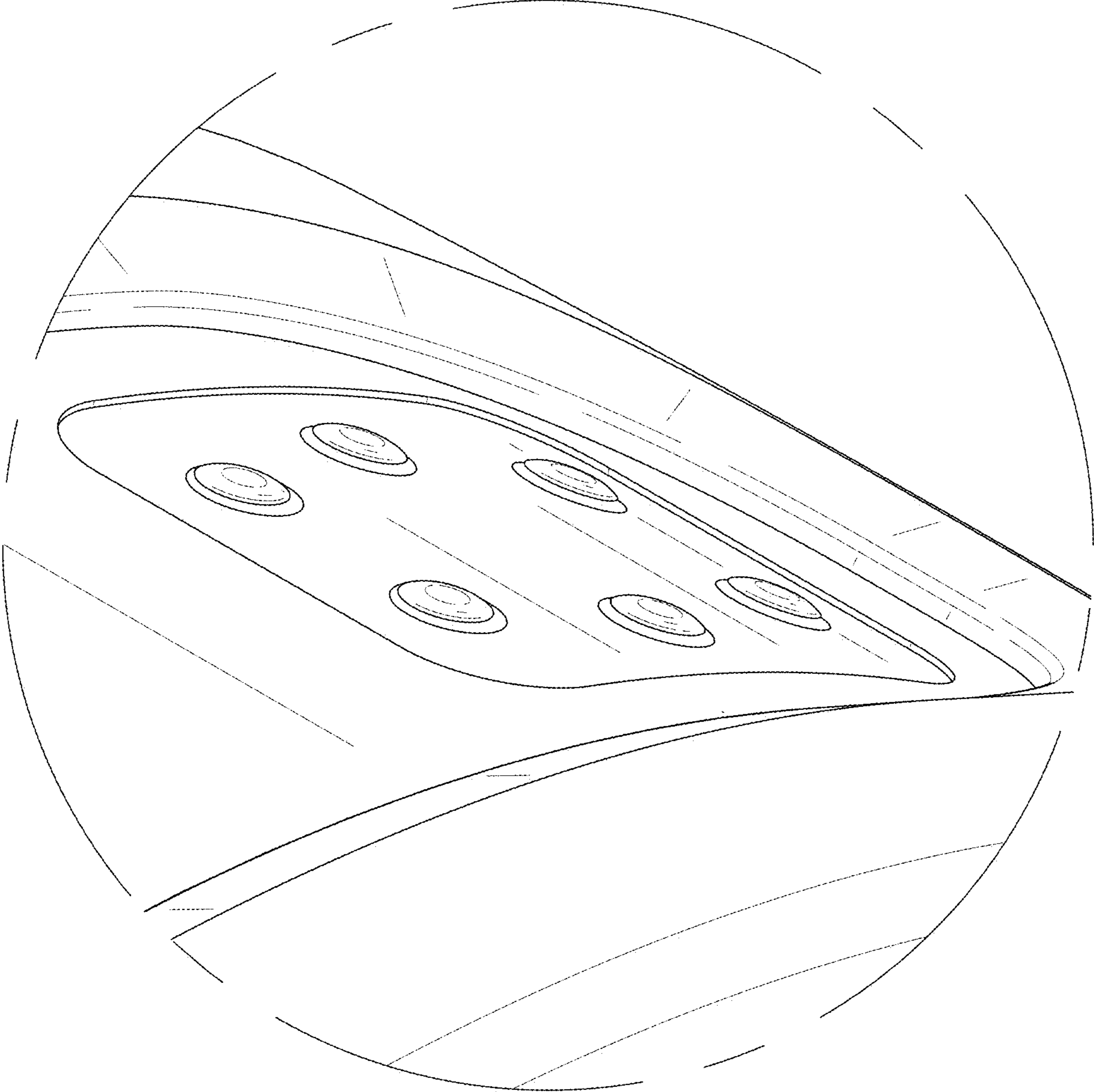


FIG. 9