



US00D945634S

(12) **United States Design Patent** (10) **Patent No.:** **US D945,634 S**
Vogel (45) **Date of Patent:** **** Mar. 8, 2022**

- (54) **COLON HYDROTHERAPY TREATMENT TABLE**
- (71) Applicant: **Prime Pacific Health Innovations Corporation**, Port Coquitlam (CA)
- (72) Inventor: **Delmar Vogel**, North Vancouver (CA)
- (73) Assignee: **Delmar Vogel**, Port Coquitlam (CA)
- (**) Term: **15 Years**
- (21) Appl. No.: **29/714,628**
- (22) Filed: **Nov. 25, 2019**
- (51) **LOC (13) Cl.** **23-02**
- (52) **U.S. Cl.**
USPC **D24/204**; D24/183
- (58) **Field of Classification Search**
USPC D24/107, 158-161, 183-186; D6/406.5, D6/406.6, 685, 686, 691, 691.1-691.9
CPC A61B 6/0457; A61B 6/4447; A61B 6/484; A61B 6/0407; A61B 6/0428; A61B 34/37; A61B 34/71; A61B 46/00; A61G 2210/50; A61G 13/105; A61G 13/009; A61G 13/02; A61G 13/04; A61G 13/08; A61G 7/0005; A61G 7/1055; A47B 3/10; A61M 16/101; A47K 3/125
See application file for complete search history.

D571,961 S *	6/2008	Nguyen	D24/205
D578,219 S *	10/2008	Daggett	D24/183
D690,016 S *	9/2013	Ratner	D24/184
D908,224 S *	1/2021	Huang	D24/184

FOREIGN PATENT DOCUMENTS

CN 201930678239.8 * 12/2019

OTHER PUBLICATIONS

Colon Hydrotherapy. Online, published date unknown. Retrieved on Mar. 31, 2021 from URL: <https://www.xuwellnesscenter.com/spa-services/colon-hydrotherapy/>.
AquaWing. Online, published date unknown. Retrieved on Mar. 31, 2021 from URL: <https://www.primepacifichealth.com/aquawing/>.

* cited by examiner

Primary Examiner — Susan Bennett Hattan
Assistant Examiner — Omeed Agilee
(74) *Attorney, Agent, or Firm* — Susan M Tees

(57) **CLAIM**

The ornamental design for a colon hydrotherapy treatment table, as shown and described.

DESCRIPTION

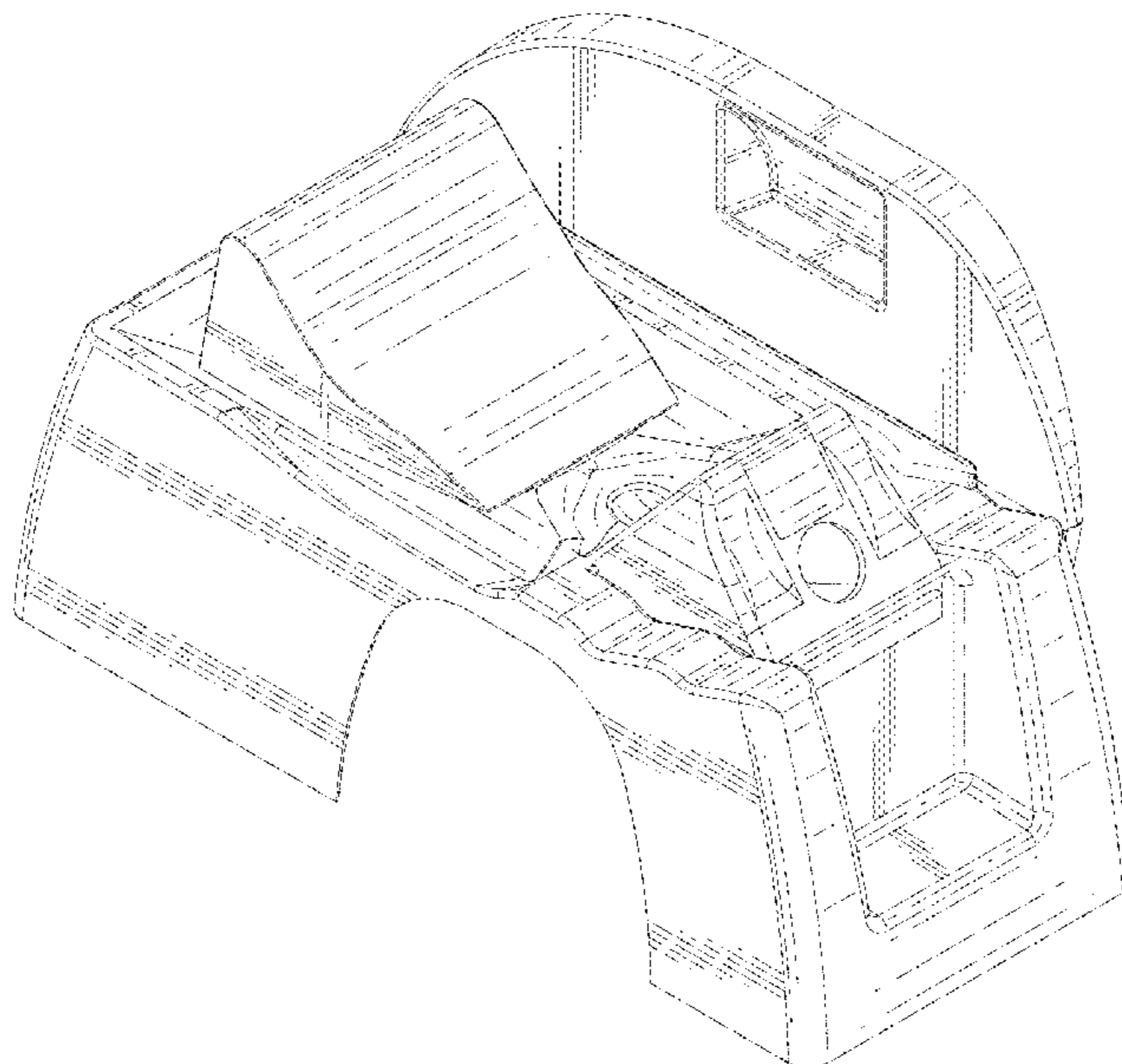
FIG. 1 is a perspective view of a colon hydrotherapy treatment table showing my new design; FIG. 2 is a top plan view thereof; FIG. 3 is a left side elevation view thereof; FIG. 4 is a right side elevation view thereof; FIG. 5 is a front elevation view thereof; FIG. 6 is a rear elevation view thereof; and, FIG. 7 is a bottom view thereof. The broken lines, the areas bounded by them, and the areas bounded by both broken lines and solid lines depict portions of the colon hydrotherapy treatment table that form no part of the claimed design.

(56) **References Cited**

U.S. PATENT DOCUMENTS

3,595,224 A *	7/1971	Walter	A47K 3/125
				4/573.1
D254,988 S *	5/1980	Jones	D23/277
D267,272 S *	12/1982	Doman	D23/277
D289,438 S *	4/1987	Lofgren	601/166
D405,291 S *	2/1999	Yu	D6/406.5
6,775,861 B1 *	8/2004	Devereaux	A47K 3/024
				4/538

1 Claim, 7 Drawing Sheets



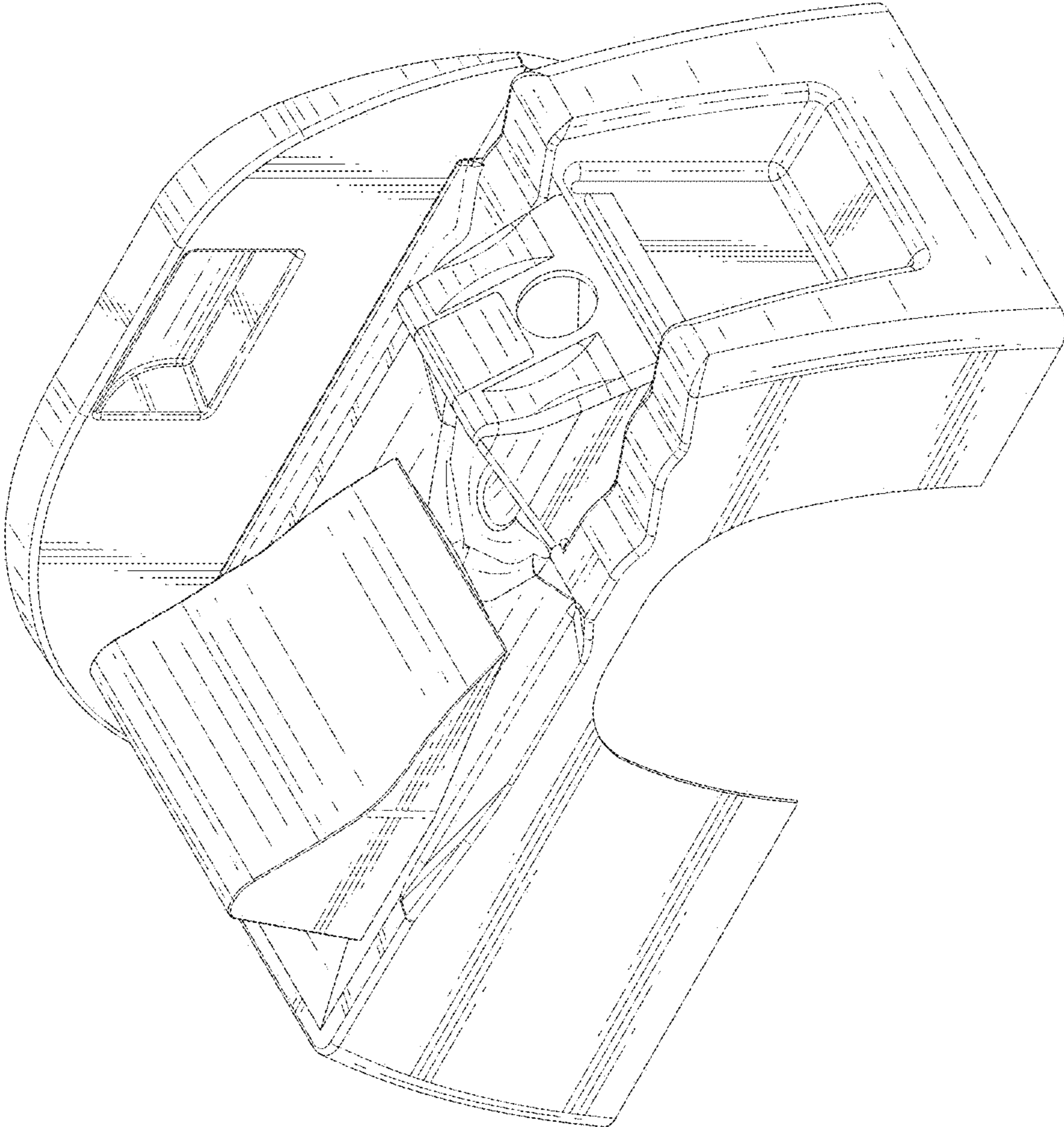


FIG. 1

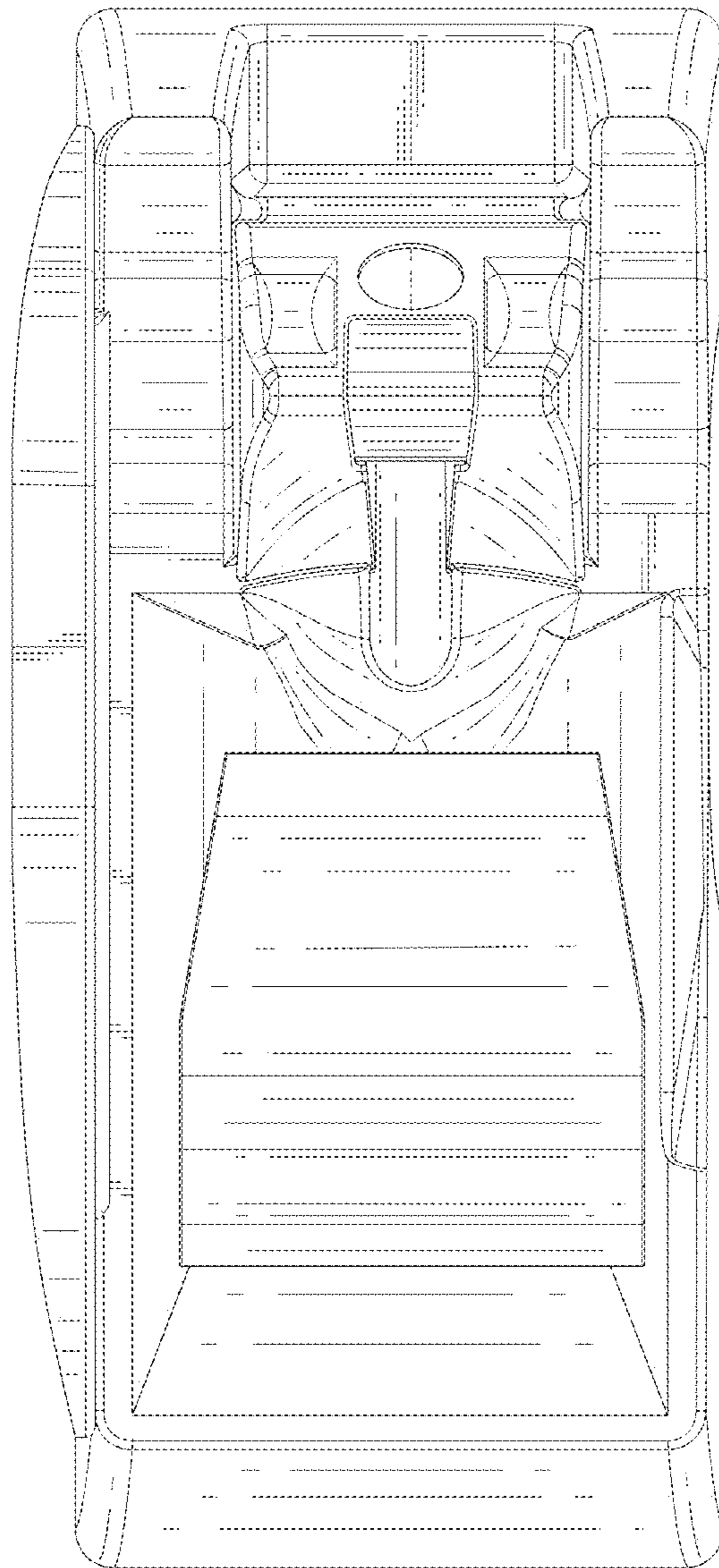


FIG. 2

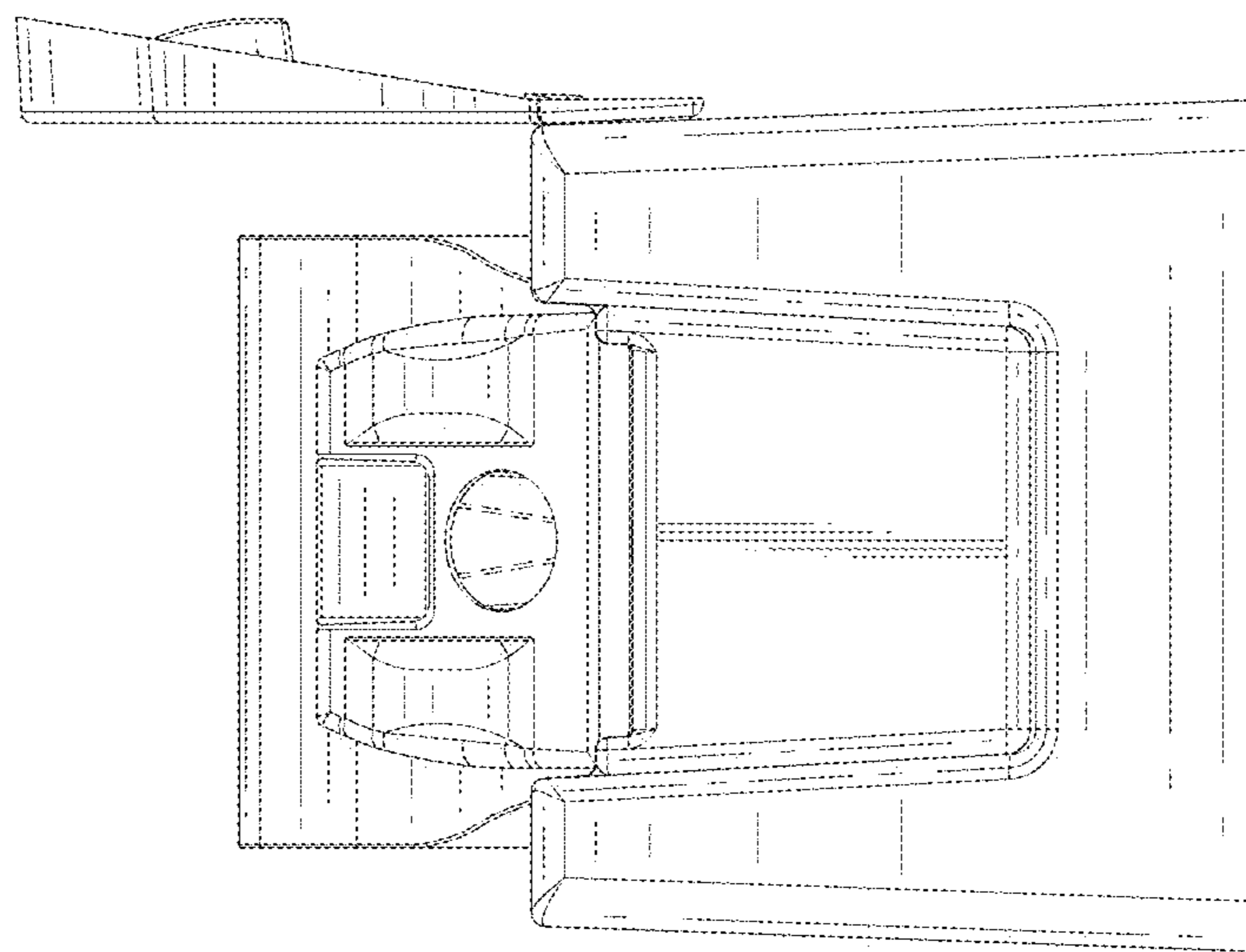


FIG. 3

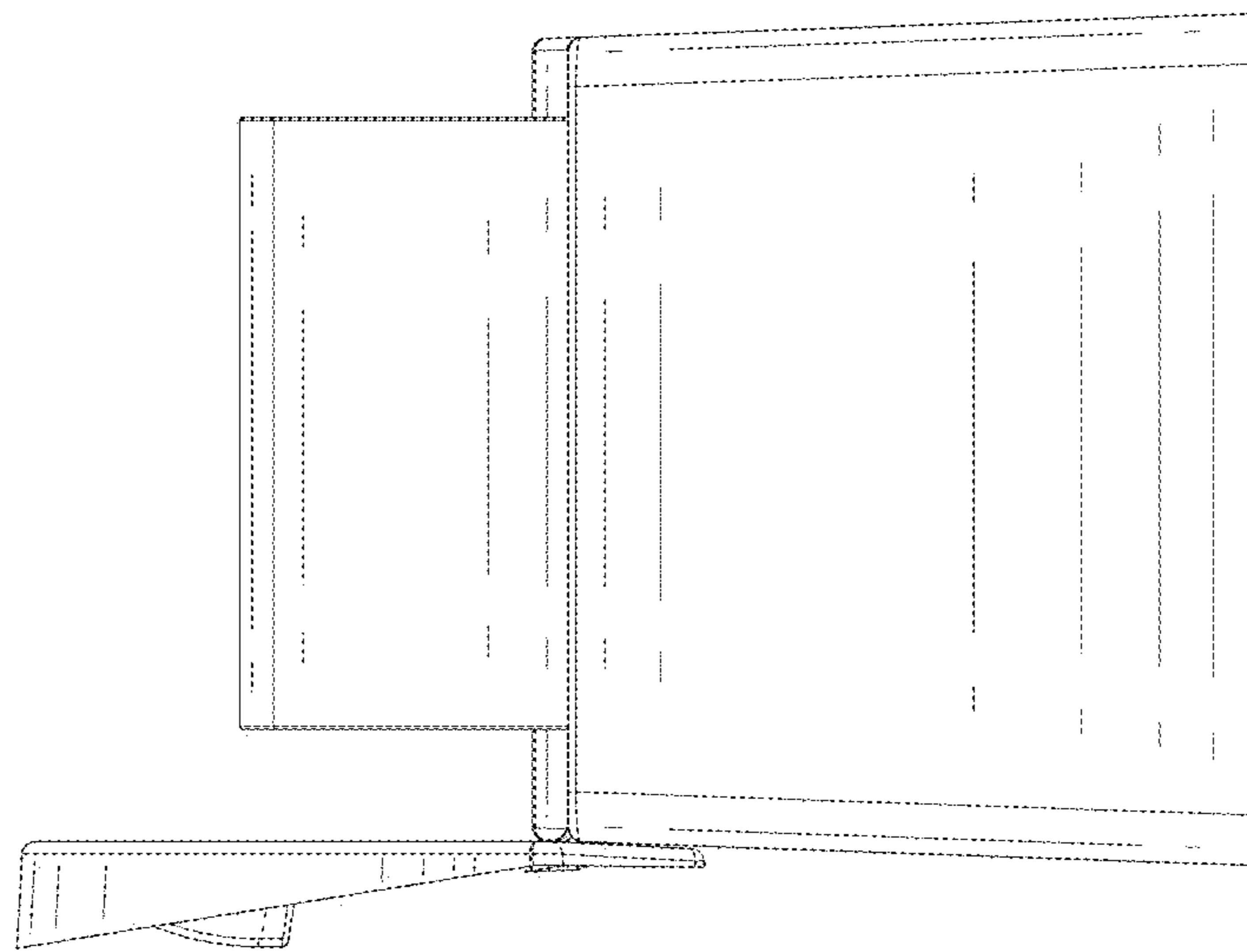


FIG. 4

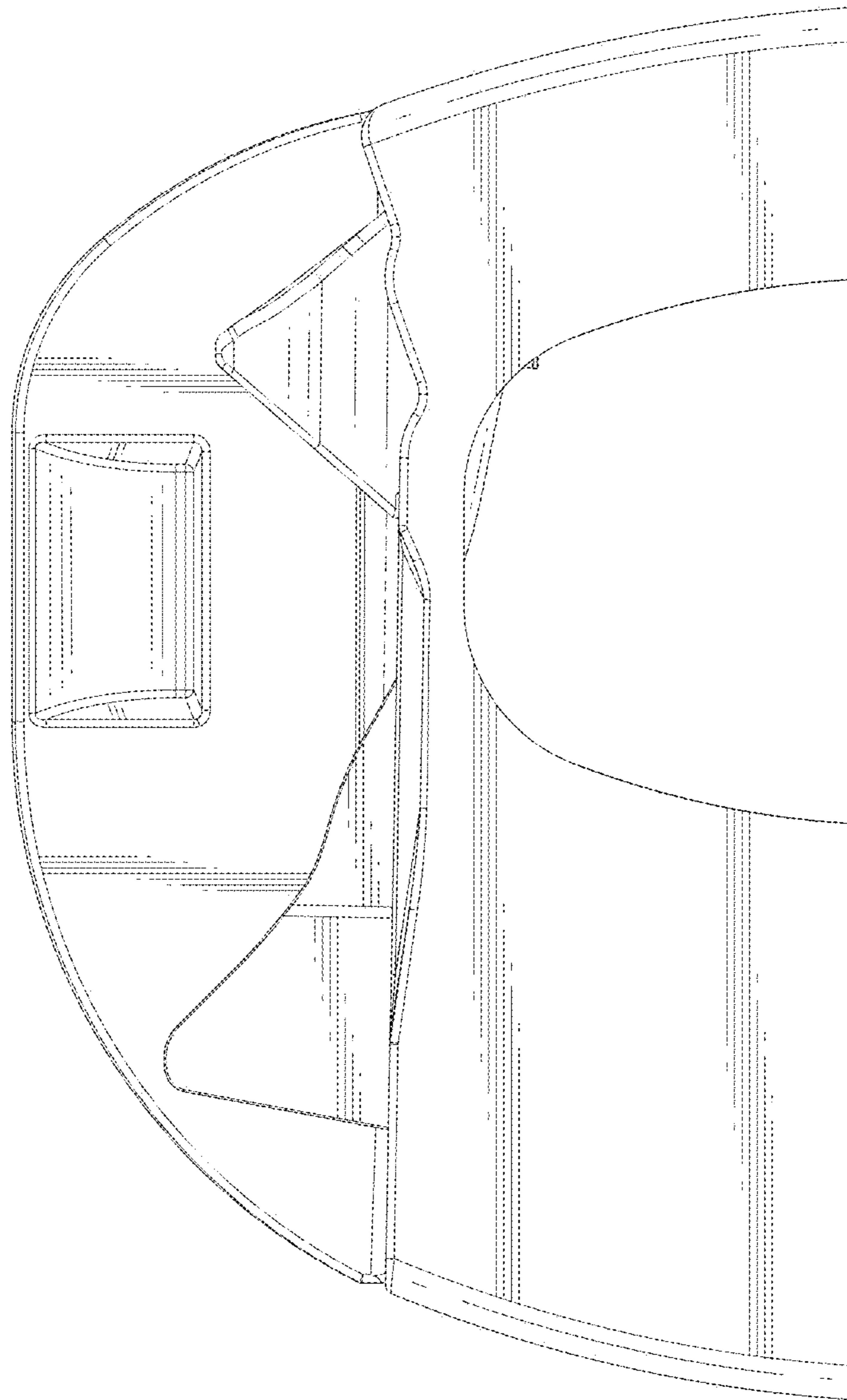


FIG. 5

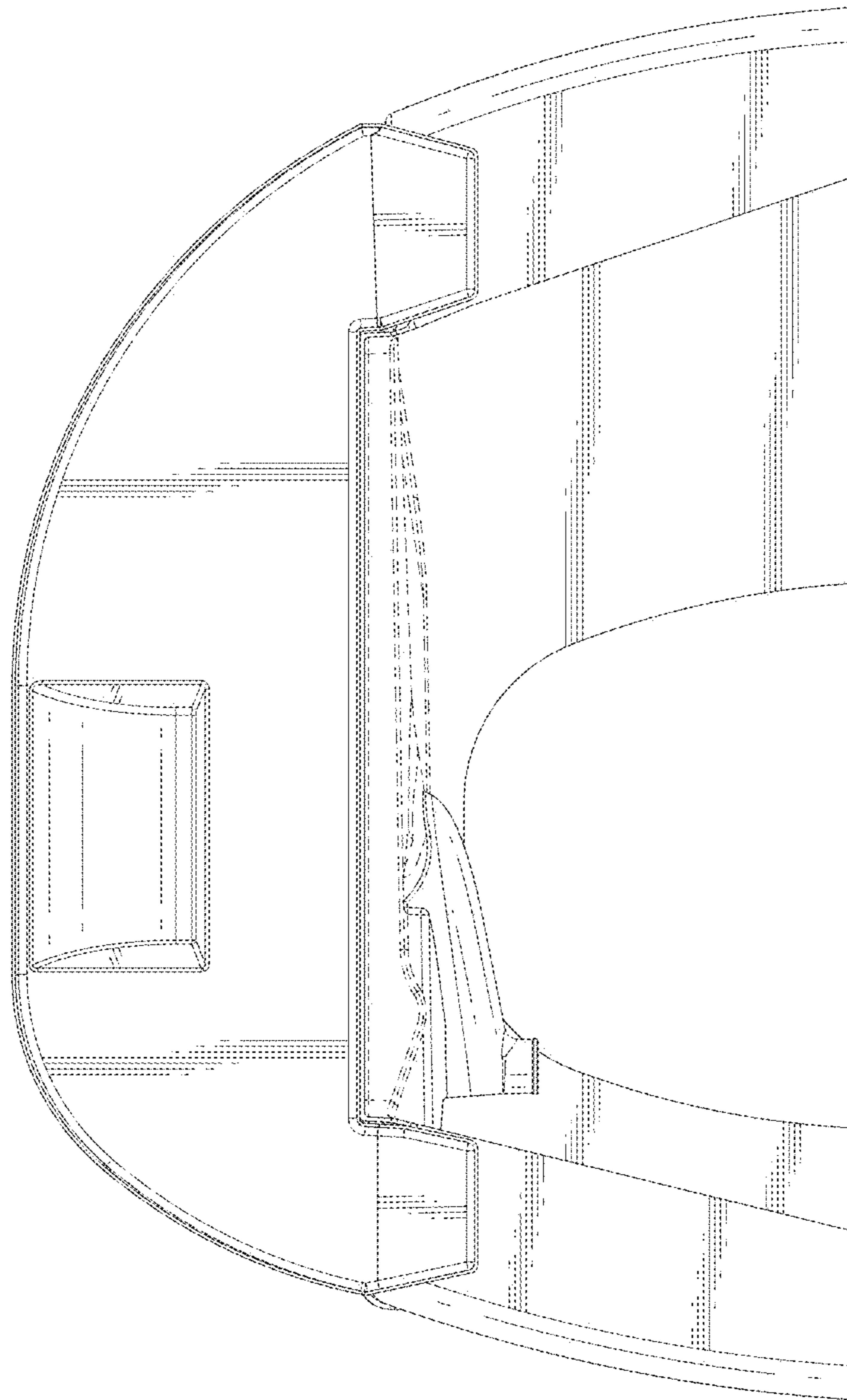


FIG. 6

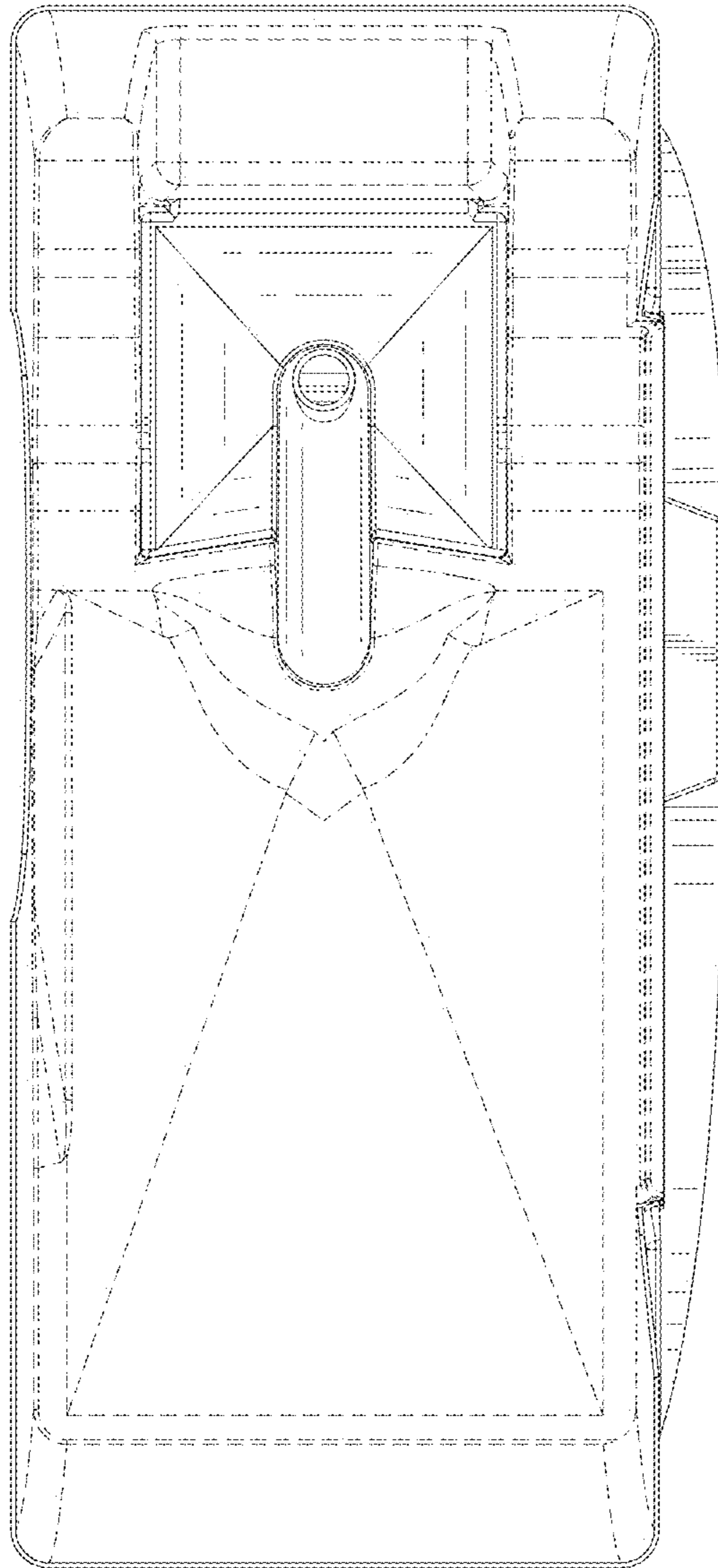


FIG. 7