



US00D945631S

(12) **United States Design Patent**  
**Gebrekidan et al.**

(10) **Patent No.:** **US D945,631 S**  
(45) **Date of Patent:** **\*\* Mar. 8, 2022**

(54) **STIMULATOR ASSEMBLY**

(71) Applicant: **Avation Medical, Inc.**, Columbus, OH (US)

(72) Inventors: **Maekle Gebrekidan**, Dublin, OH (US); **Manish Vaishya**, Valencia, CA (US); **Serge Cyril Roux**, Boston, MA (US); **Joyce Chien Tu**, Arlington, MA (US)

(73) Assignee: **AVATION MEDICAL, INC.**, Columbus, OH (US)

(\*\*) Term: **15 Years**

(21) Appl. No.: **29/715,940**

(22) Filed: **Dec. 5, 2019**

(51) **LOC (13) Cl.** ..... **28-03**

(52) **U.S. Cl.**  
USPC ..... **D24/200**

(58) **Field of Classification Search**  
USPC ..... D24/200, 133, 186, 187, 206, 209–211, D24/214, 215, 165–168; D10/57, 75, 78;  
(Continued)

(56) **References Cited**

**U.S. PATENT DOCUMENTS**

D249,160 S \* 8/1978 Toyoda ..... D24/214  
D290,751 S \* 7/1987 Montalbano ..... D24/200  
(Continued)

**FOREIGN PATENT DOCUMENTS**

JP D1672951 \* 10/2020

*Primary Examiner* — Eric L Goodman

*Assistant Examiner* — Lee D. Starr

(74) *Attorney, Agent, or Firm* — Tarolli, Sundheim, Covell & Tummino LLP

(57) **CLAIM**

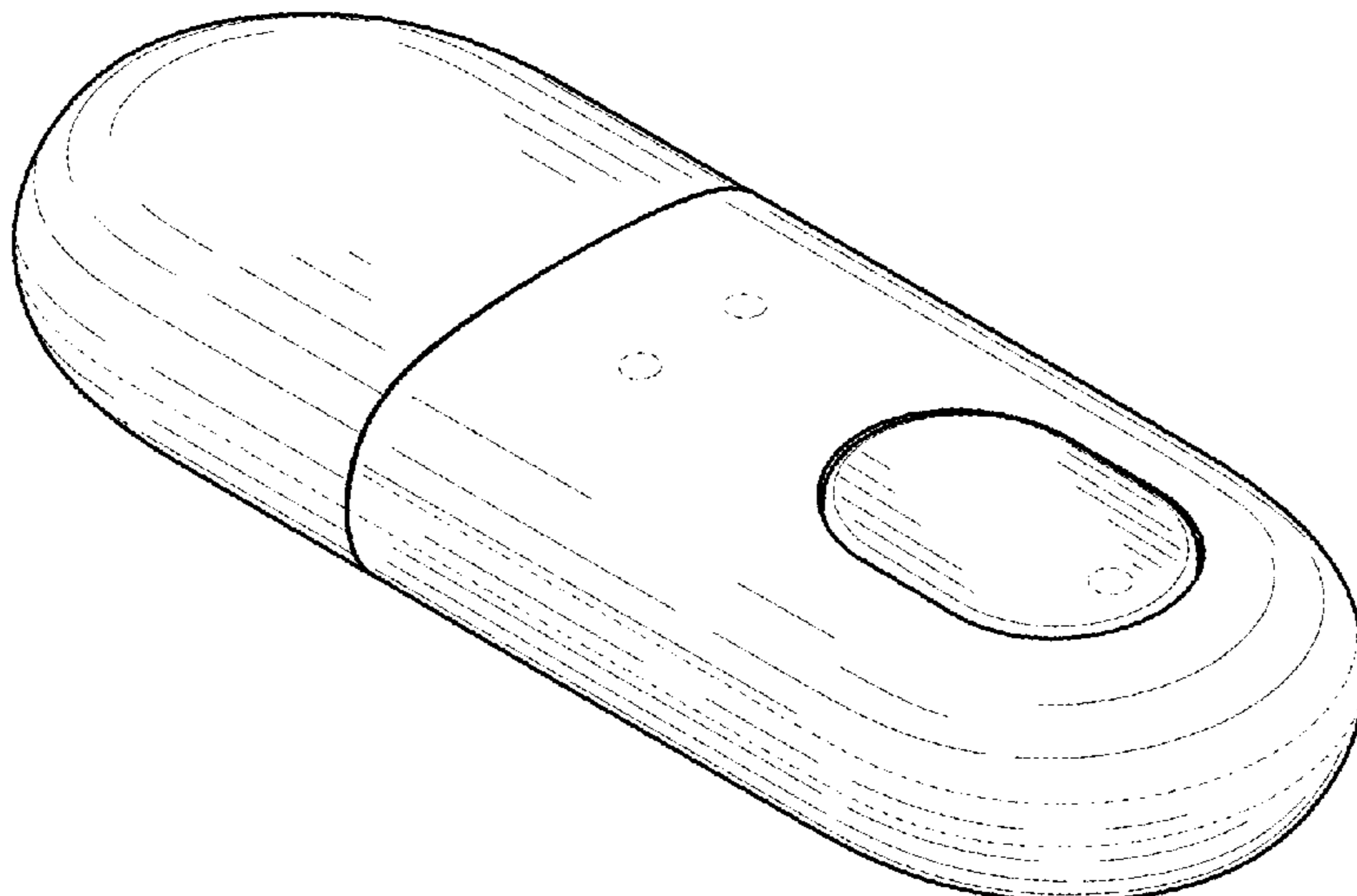
We claim the ornamental design for a stimulator assembly, as shown and described.

**DESCRIPTION**

FIG. 1 is a top perspective view of a stimulator assembly, showing our new design;  
FIG. 2 is a bottom perspective view of the stimulator assembly of FIG. 1;  
FIG. 3 is a front view of the stimulator assembly of FIG. 1;  
FIG. 4 is a rear view of the stimulator assembly of FIG. 1;  
FIG. 5 is a top view of the stimulator assembly of FIG. 1;  
FIG. 6 is a bottom view of the stimulator assembly of FIG. 1;  
FIG. 7 is a right view of the stimulator assembly of FIG. 1;  
FIG. 8 is a left view of the stimulator assembly of FIG. 1;  
FIG. 9 is a top perspective view of a first component of the stimulator assembly of FIG. 1;  
FIG. 10 is a bottom perspective view of the component of FIG. 9;  
FIG. 11 is a front view of the component of FIG. 9;  
FIG. 12 is a rear view of the component of FIG. 9;  
FIG. 13 is a top view of the component of FIG. 9;  
FIG. 14 is a bottom view of the component of FIG. 9;  
FIG. 15 is a right view of the component of FIG. 9;  
FIG. 16 is a left view of the component of FIG. 9;  
FIG. 17 is a top perspective view of a second component of the stimulator assembly of FIG. 1;  
FIG. 18 is a bottom perspective view of the component of FIG. 17;  
FIG. 19 is a front view of the component of FIG. 17;  
FIG. 20 is a rear view of the component of FIG. 17;  
FIG. 21 is a top view of the component of FIG. 17;  
FIG. 22 is a bottom view of the component of FIG. 17;  
FIG. 23 is a right view of the component of FIG. 17;  
FIG. 24 is a left view of the component of FIG. 17;  
FIG. 25 is an exploded top perspective view of the first and second components comprising the stimulator assembly of FIG. 1; and,  
FIG. 26 is an exploded bottom perspective view of the first and second components comprising the stimulator assembly of FIG. 1.

The broken lines in the drawings depict portions of the stimulator assembly that form no part of the claimed design.

**1 Claim, 7 Drawing Sheets**



(58) **Field of Classification Search**

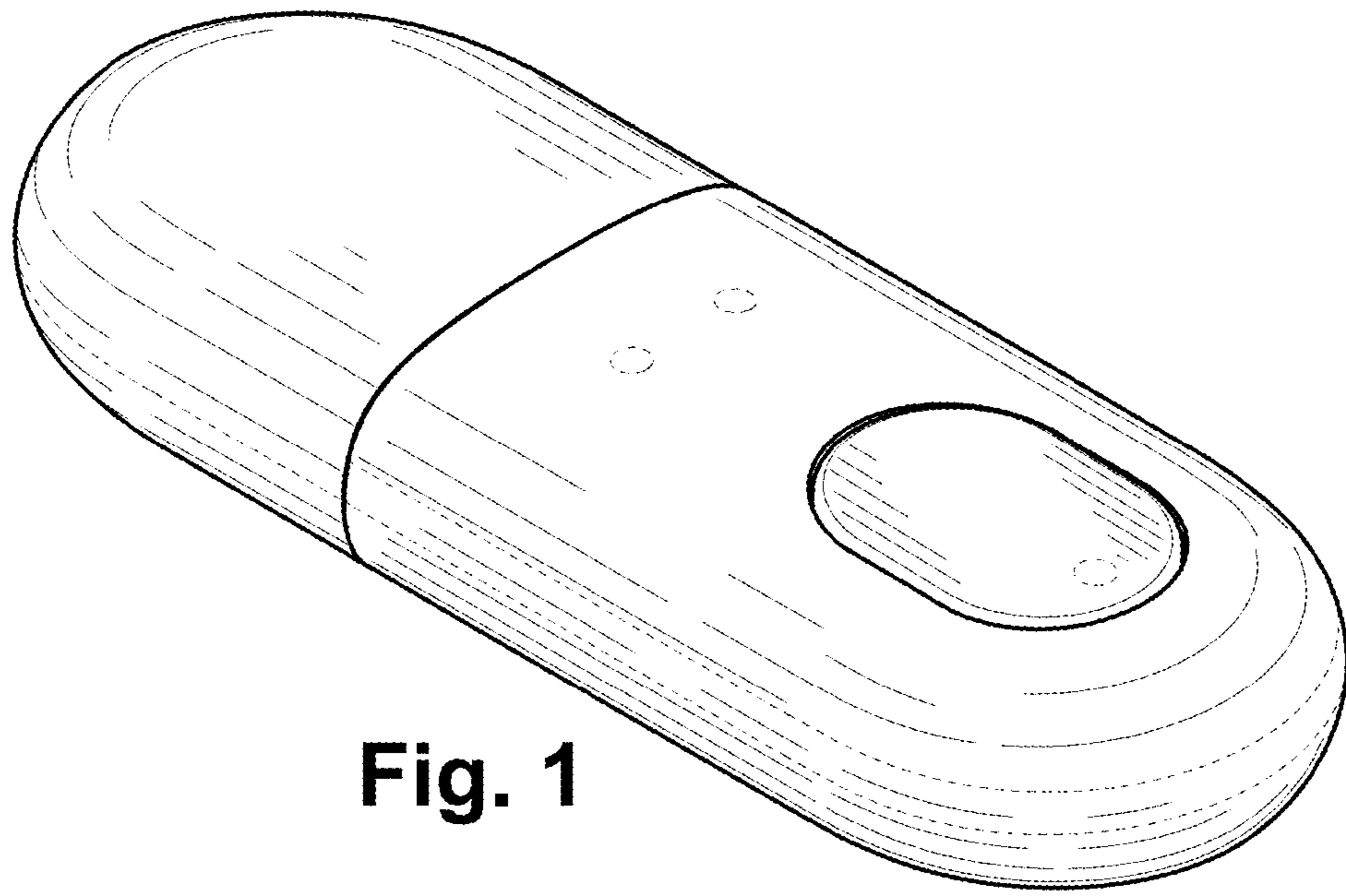
USPC ..... D28/76, 77, 82, 85-89; D14/480.1,  
D14/480.5; D26/37  
CPC ..... A61N 1/04; A61N 1/0404; A61N 1/0452;  
A61N 1/0456; A61N 1/0476; A61N  
1/048; A61N 1/0484; A61N 1/0492;  
A61N 1/18; A61N 1/36014; A61N  
1/36021; A61N 5/0616; A61N 5/0625;  
A61N 2005/0636; A61N 2005/0643;  
A61N 2005/0644; A61N 2005/067; A61H  
2201/0153; A61H 2201/0157; A61H  
2201/10; A61H 2201/1253; H05K 5/0278  
See application file for complete search history.

(56) **References Cited**

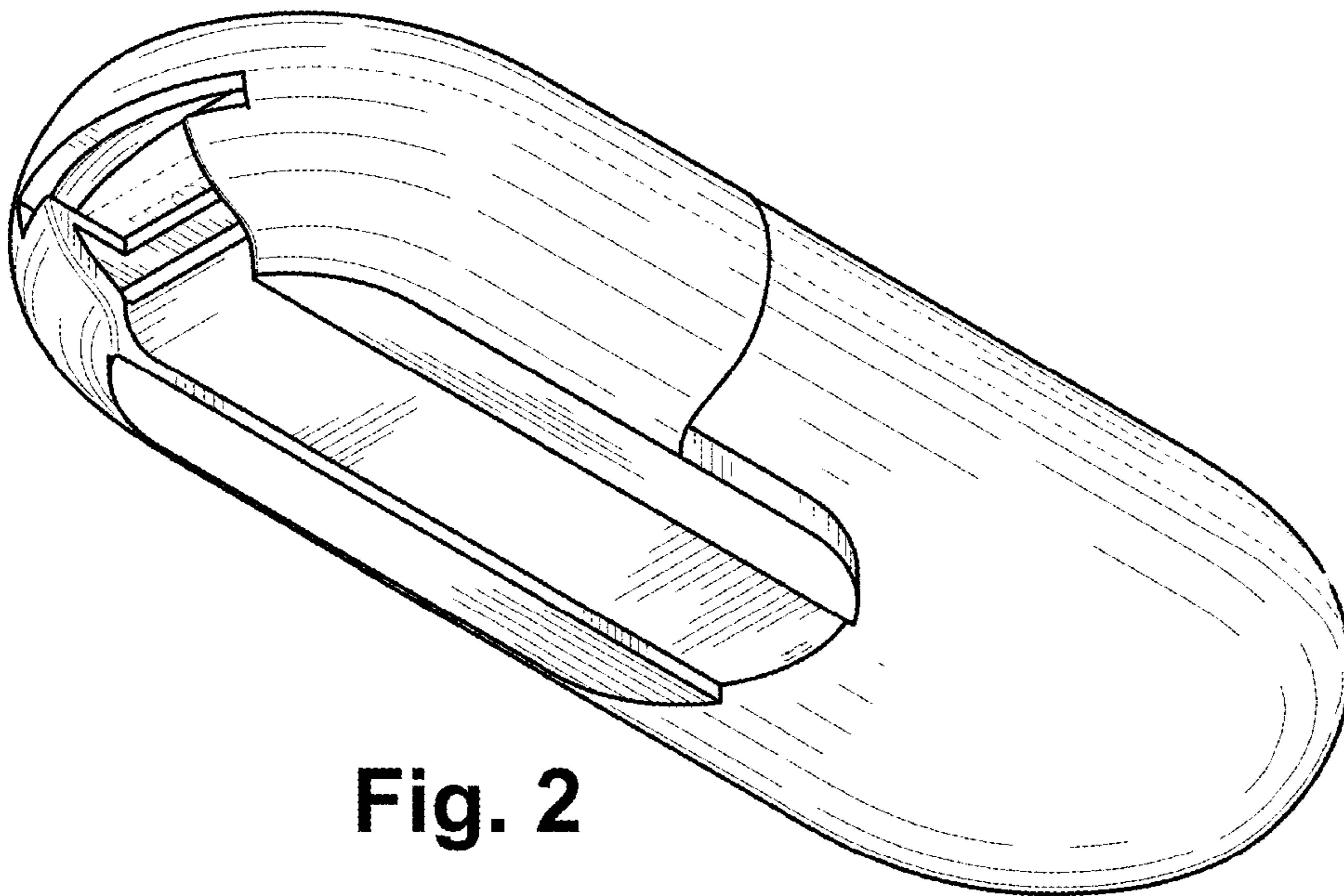
U.S. PATENT DOCUMENTS

D350,206 S \* 8/1994 Mochida ..... D24/200  
D350,397 S \* 9/1994 Bruno ..... D24/214  
D475,149 S \* 5/2003 Chun ..... D26/37  
D527,477 S \* 8/2006 Chen ..... D14/480.3  
D633,496 S \* 3/2011 Busri ..... D14/358  
D683,902 S \* 6/2013 Zotalis ..... D28/76  
D688,255 S \* 8/2013 Daniel ..... D14/480.4  
D706,278 S \* 6/2014 Fukuoka ..... D14/480.5  
D737,701 S \* 9/2015 Payne ..... D10/78  
D739,035 S \* 9/2015 Tavidian ..... D24/200  
9,961,985 B2 \* 5/2018 Shigeno ..... A45D 44/18  
D825,356 S \* 8/2018 Yu ..... D10/70  
D890,346 S \* 7/2020 Lam ..... D24/167  
D899,610 S \* 10/2020 Yang ..... D24/200  
2009/0052142 A1 \* 2/2009 Brewer ..... H05K 5/0278  
361/721

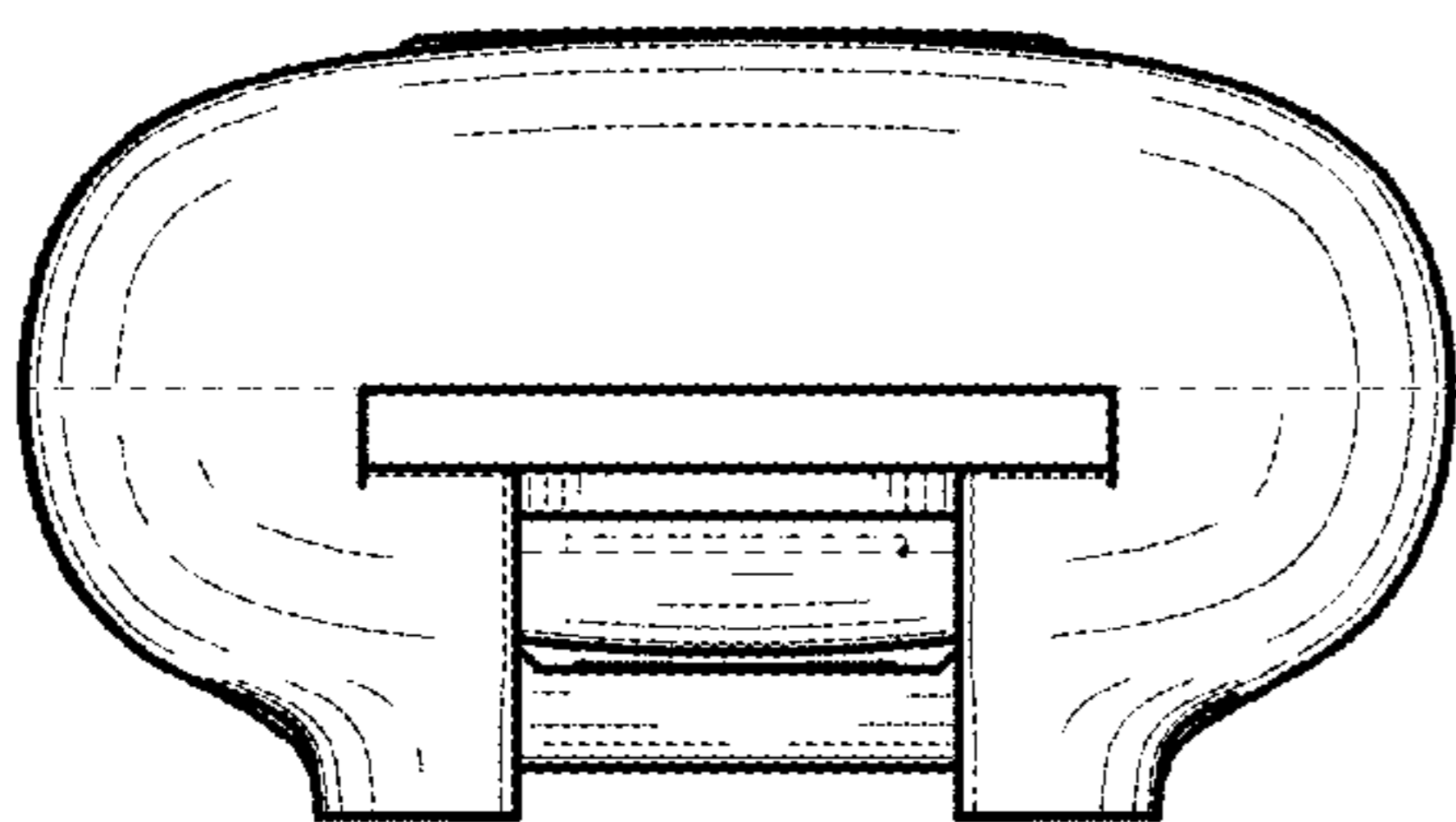
\* cited by examiner



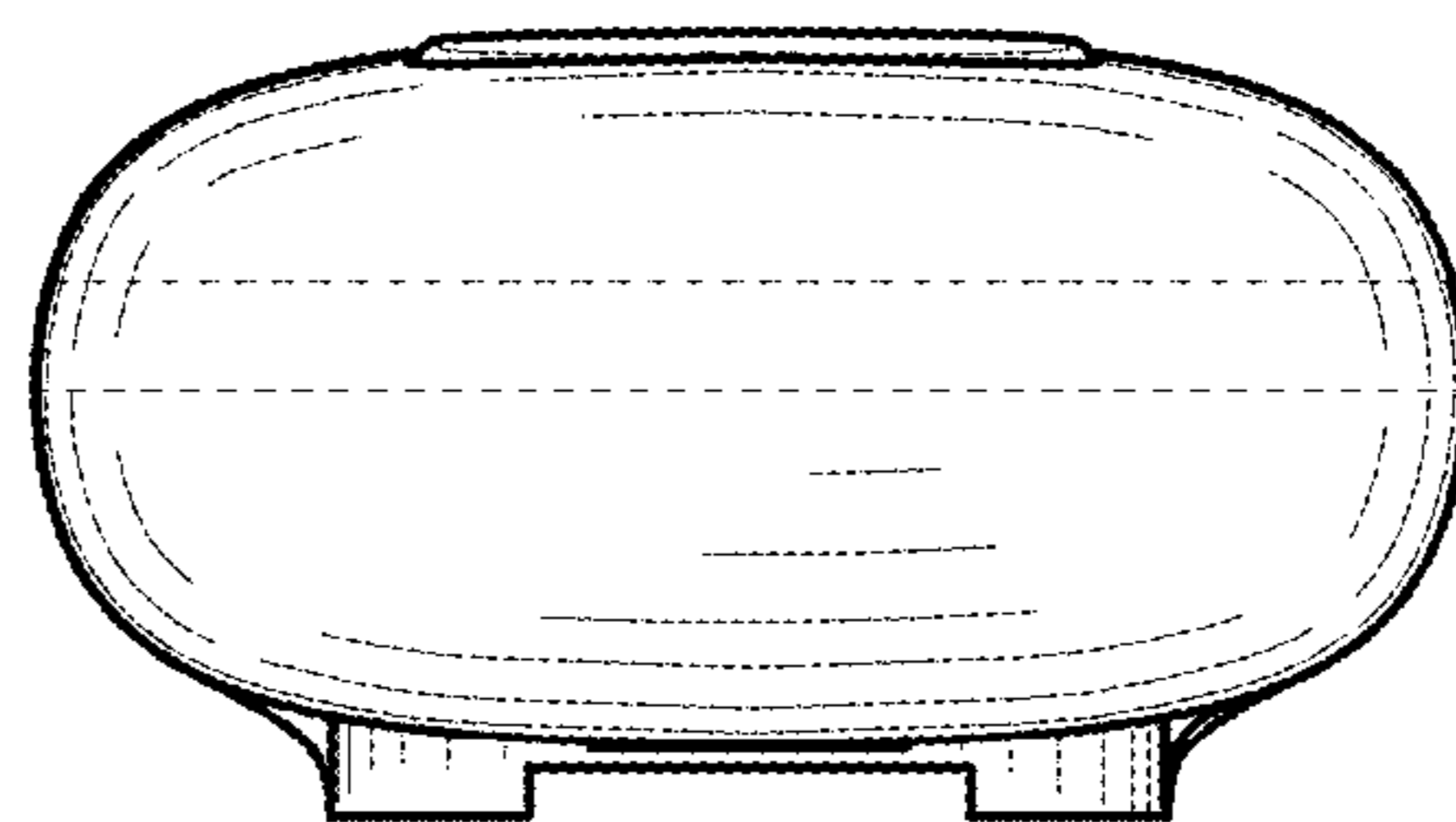
**Fig. 1**



**Fig. 2**

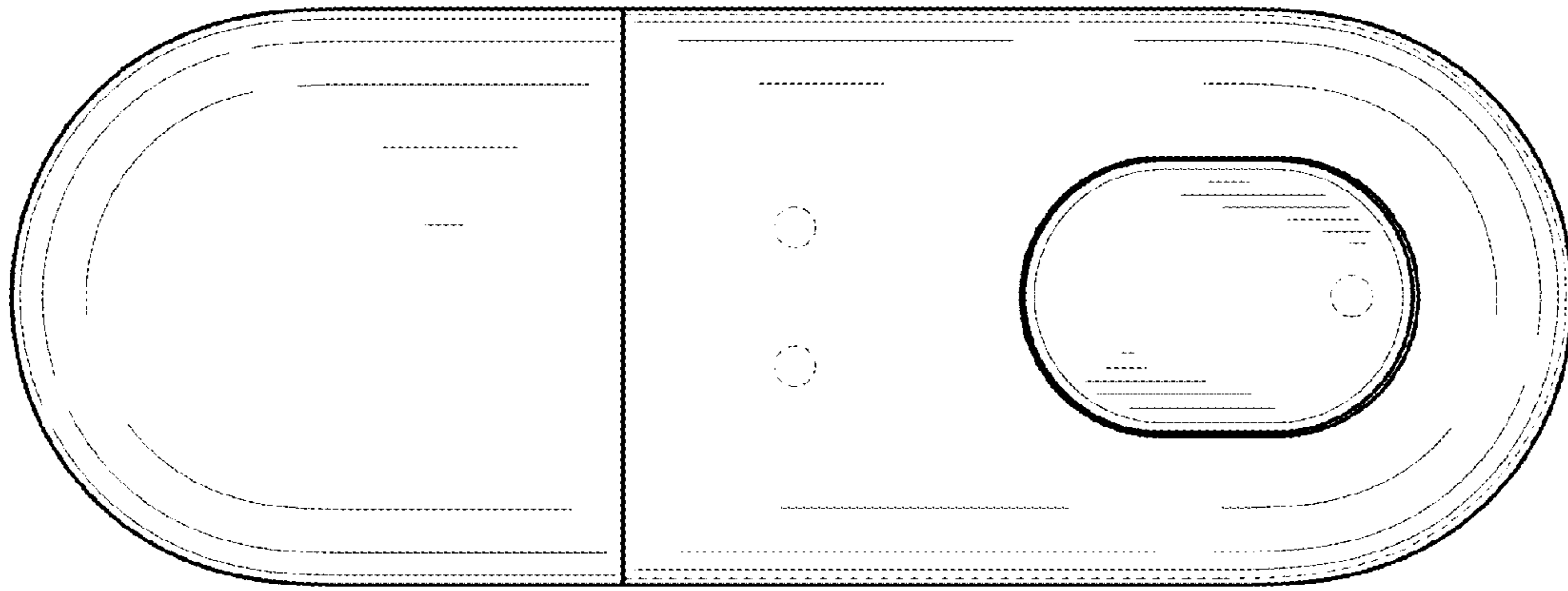


**Fig. 3**

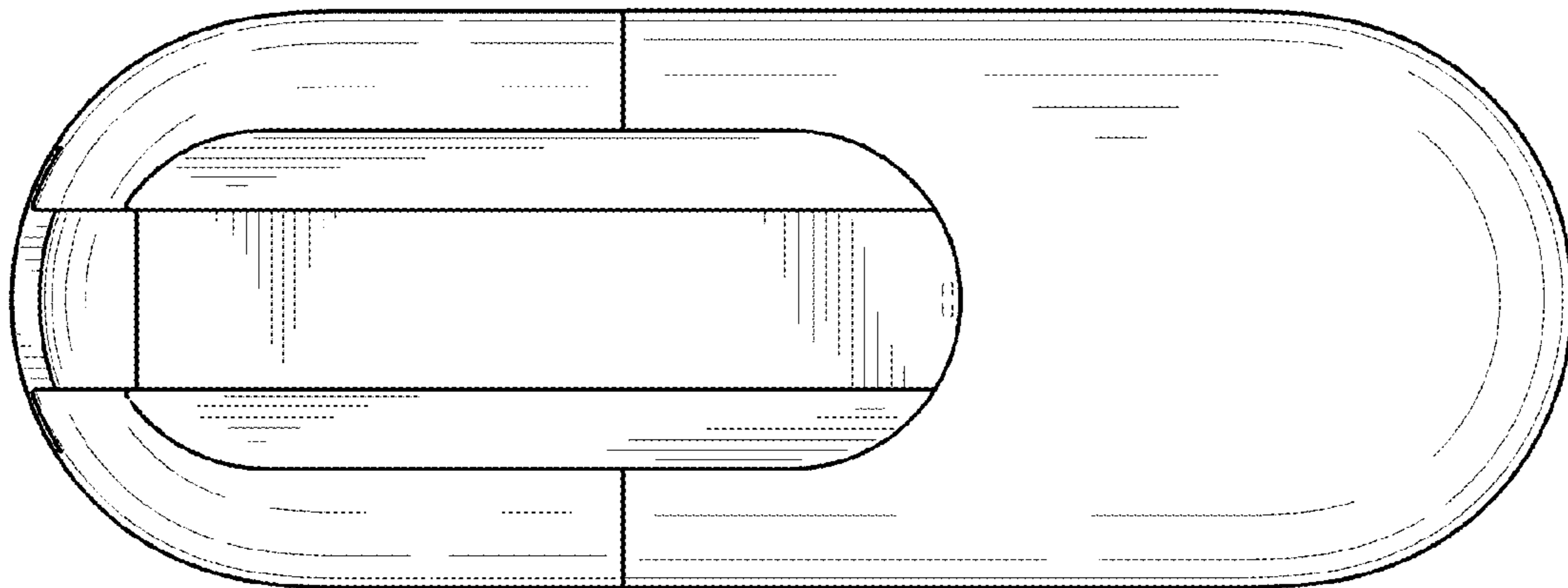


**Fig. 4**

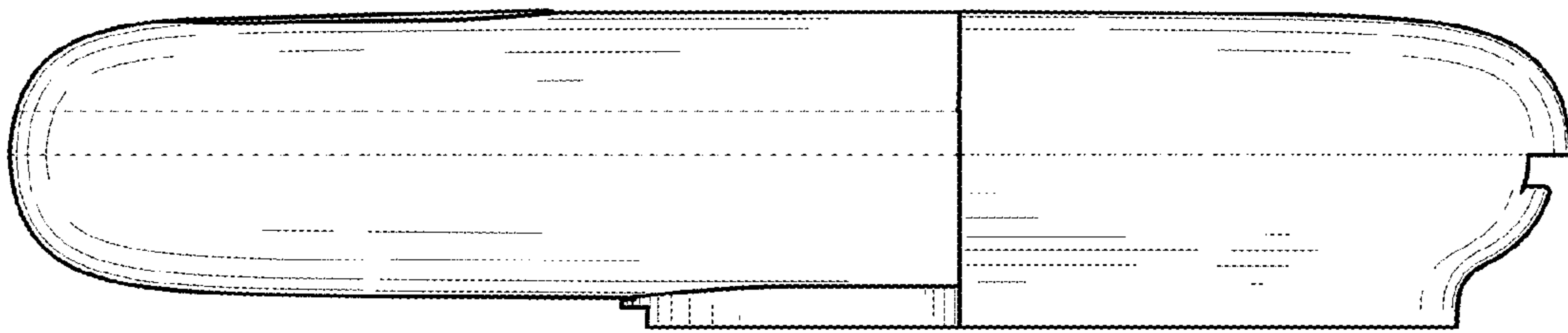




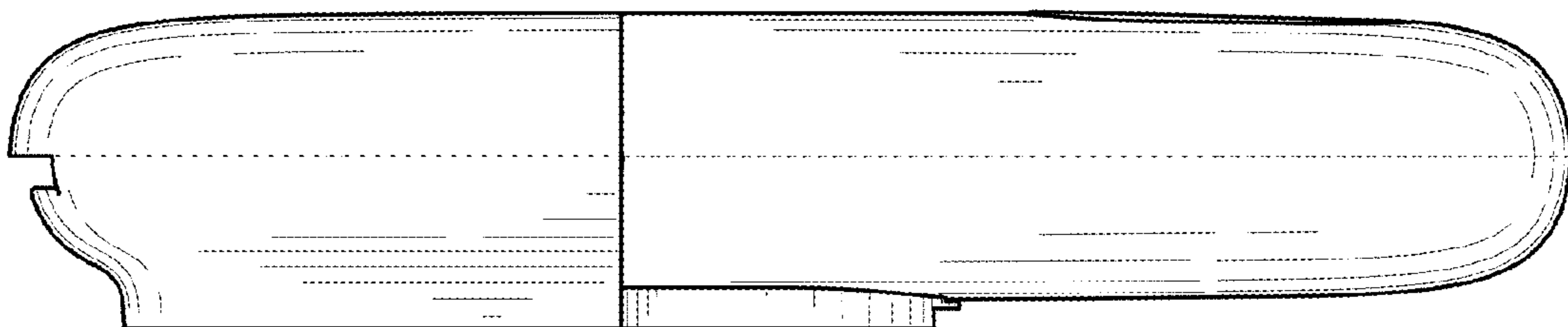
**Fig. 5**



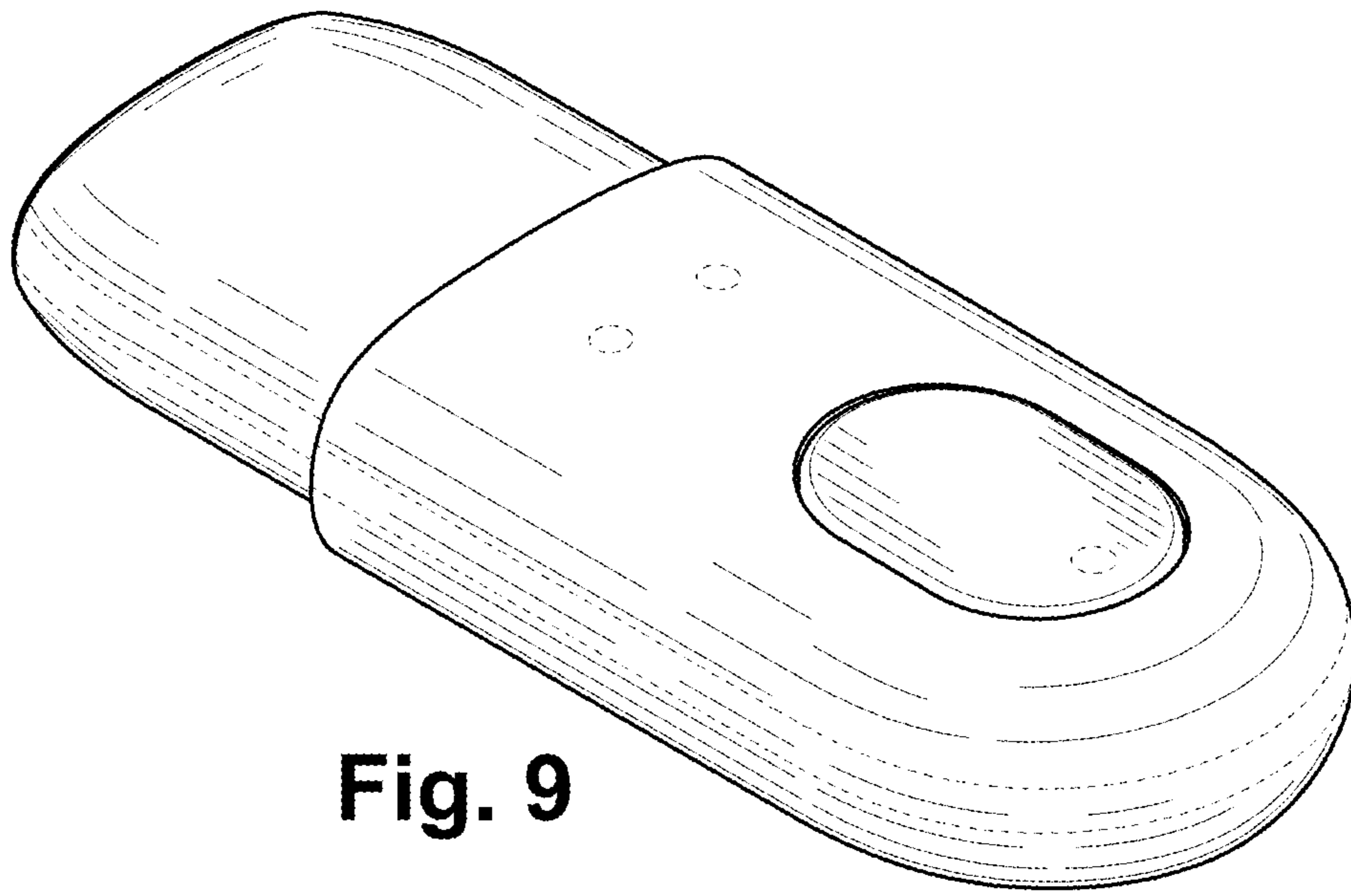
**Fig. 6**



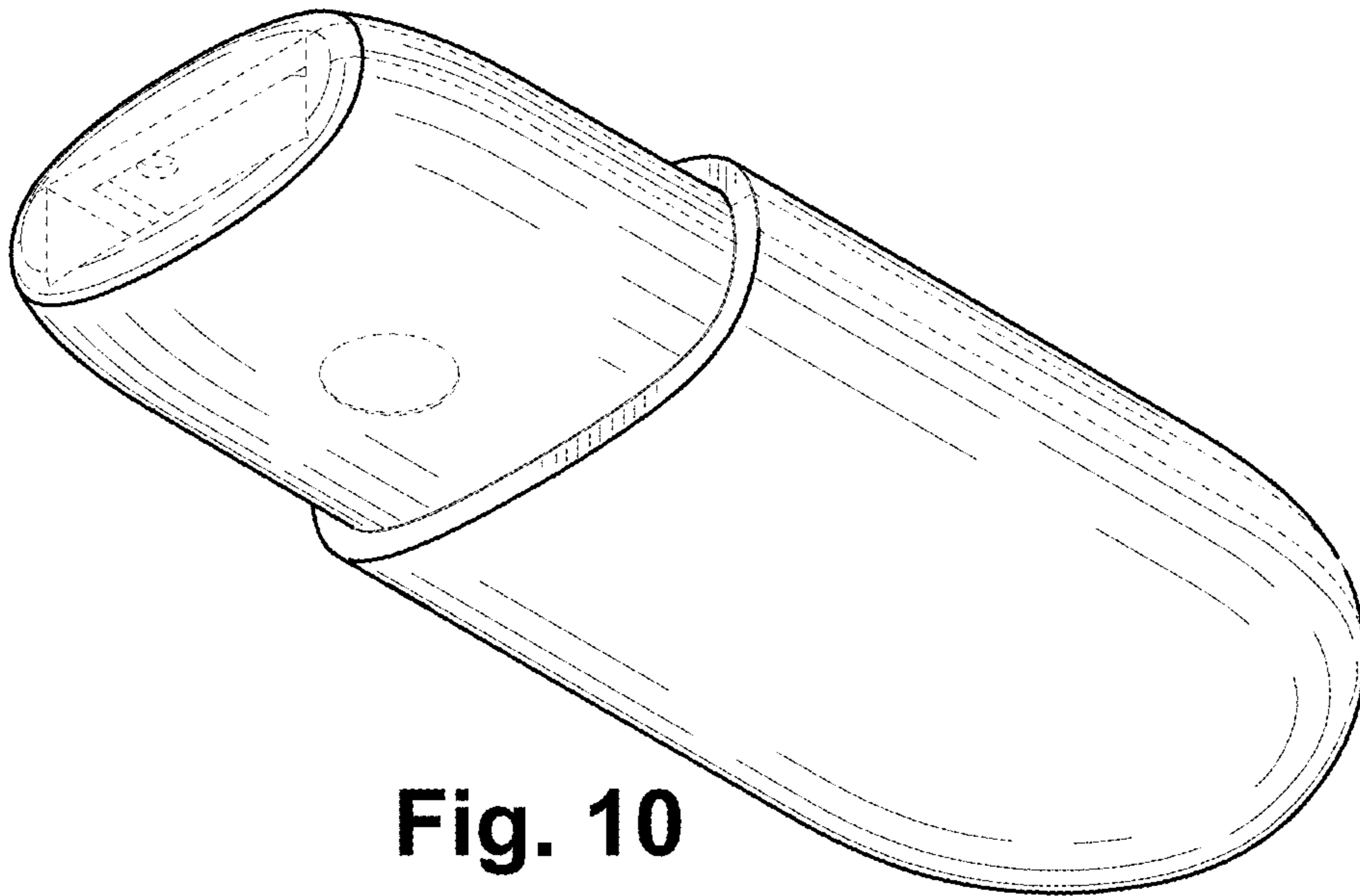
**Fig. 7**



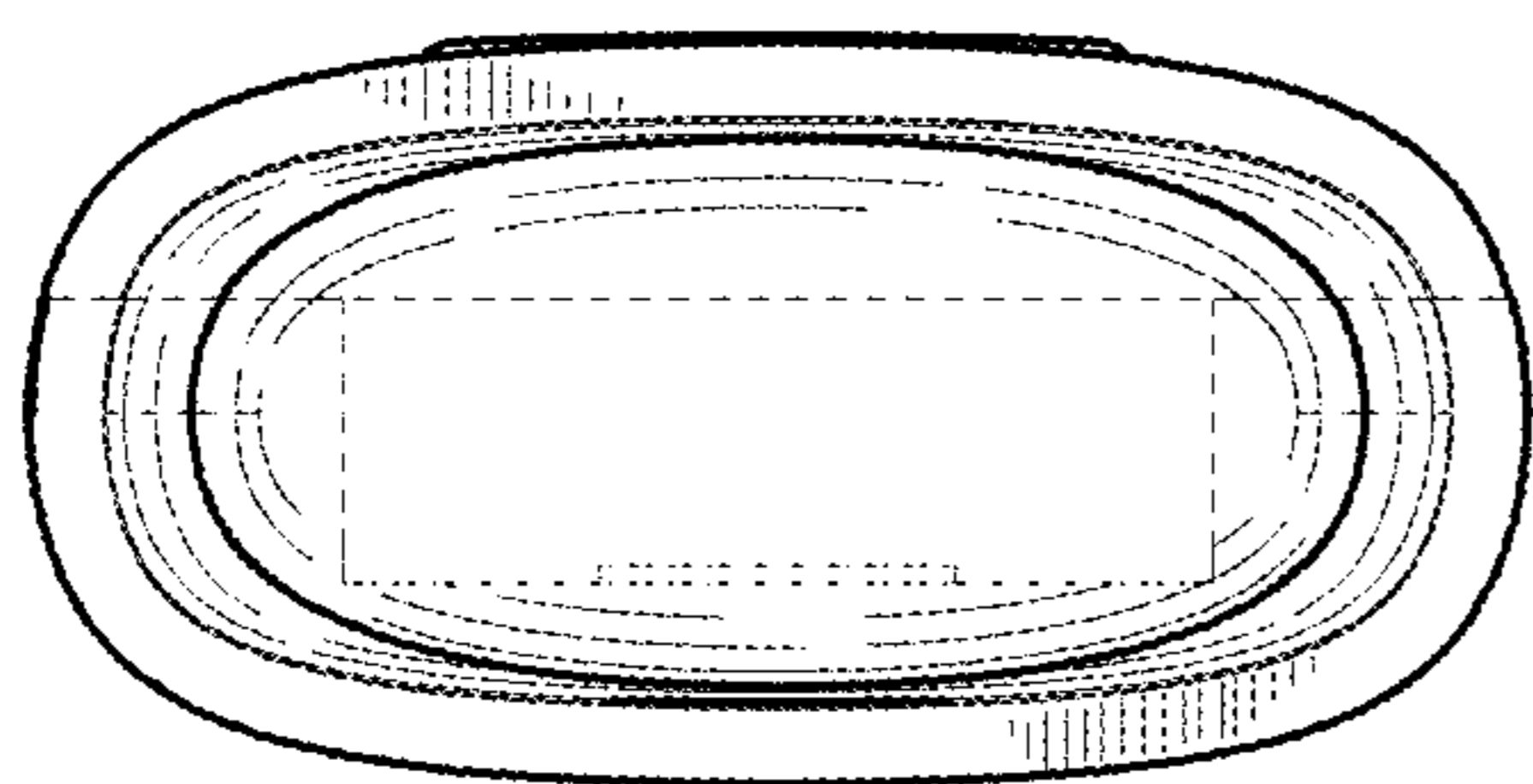
**Fig. 8**



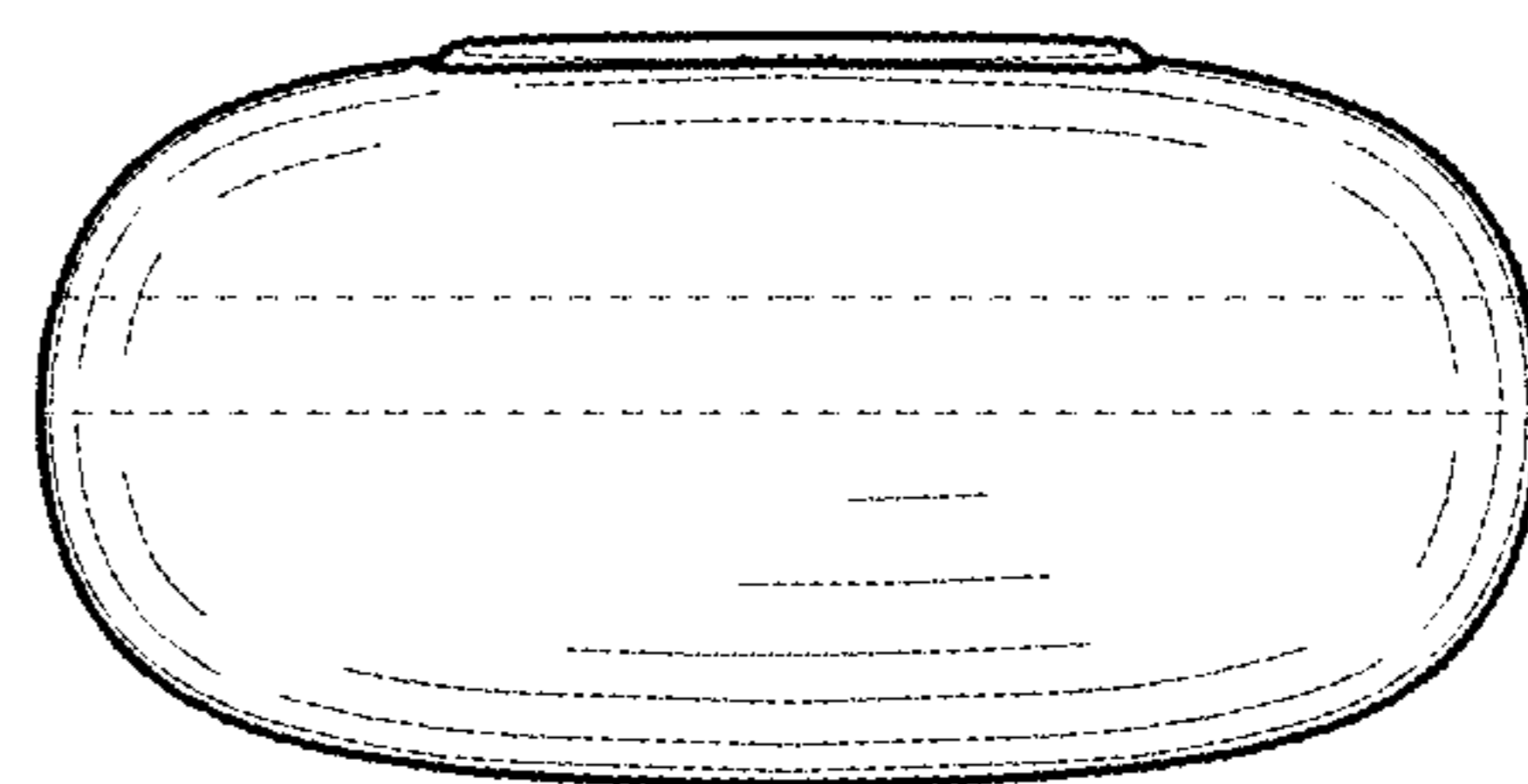
**Fig. 9**



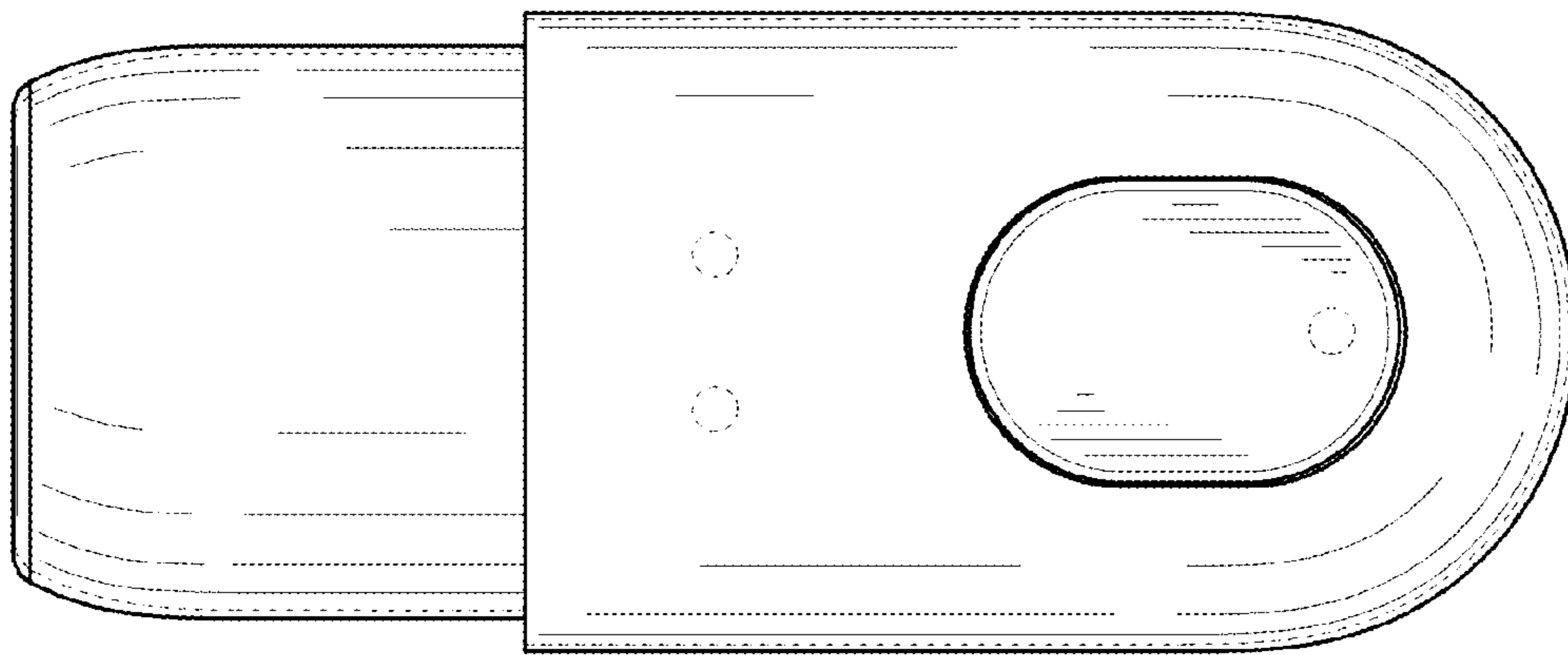
**Fig. 10**



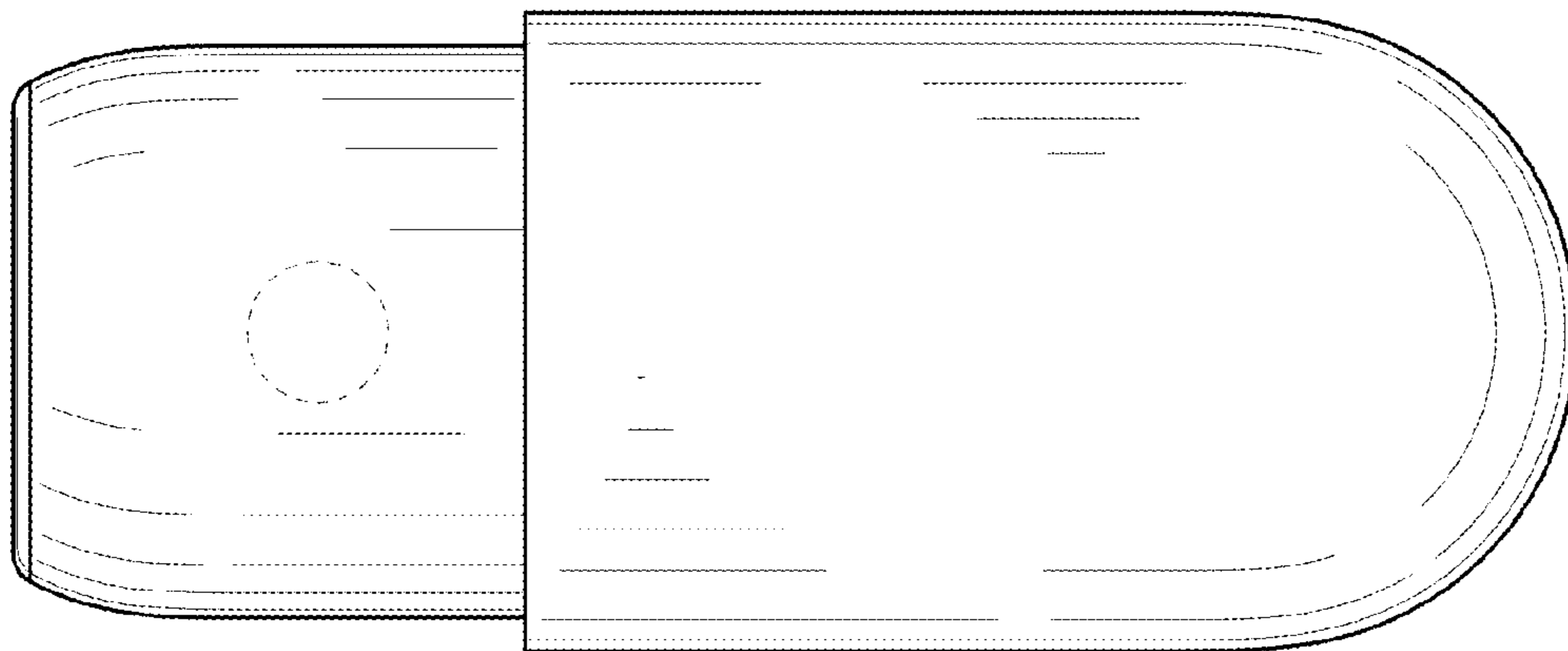
**Fig. 11**



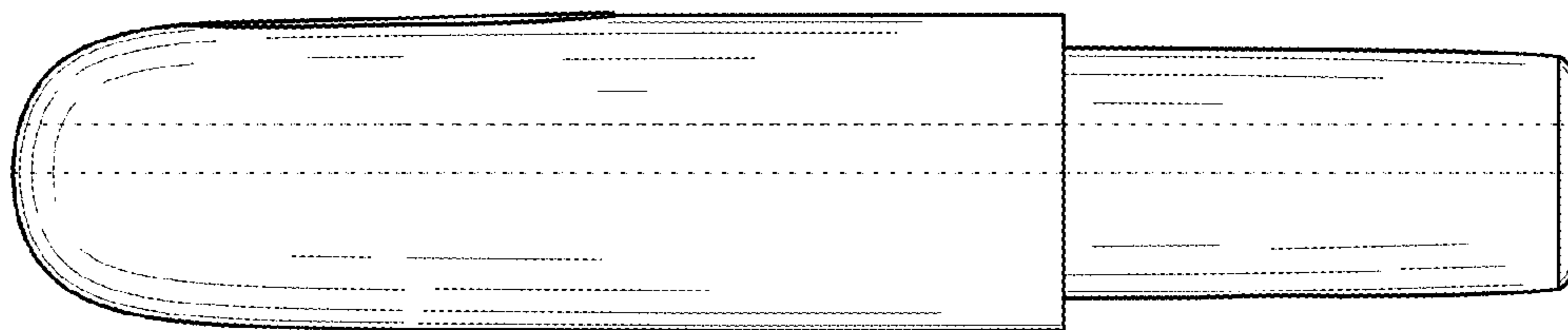
**Fig. 12**



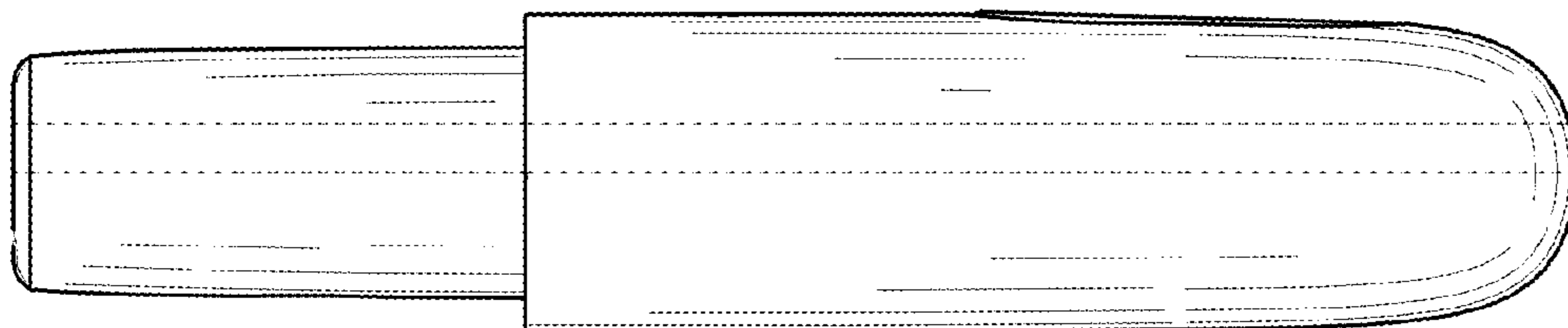
**Fig. 13**



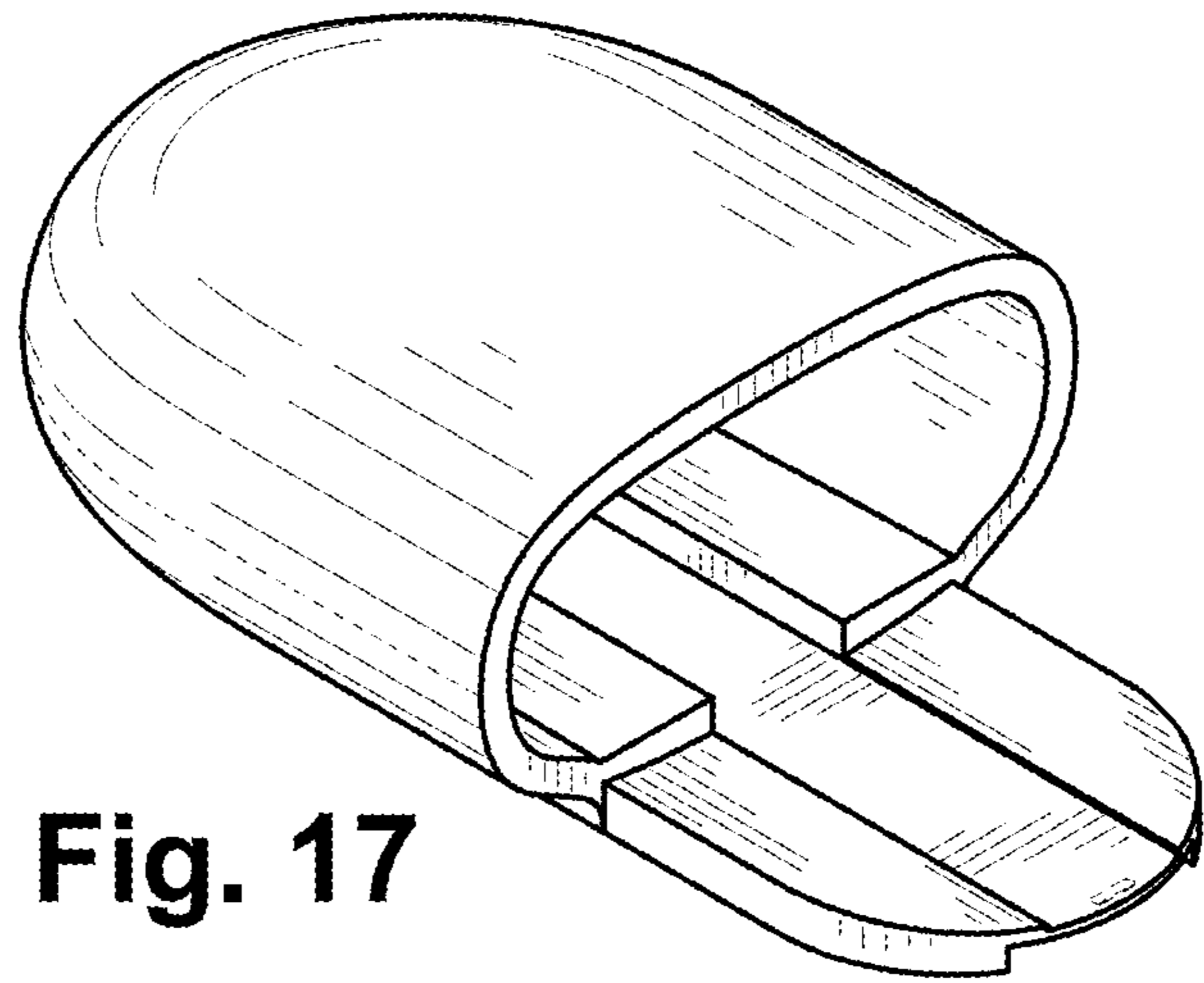
**Fig. 14**



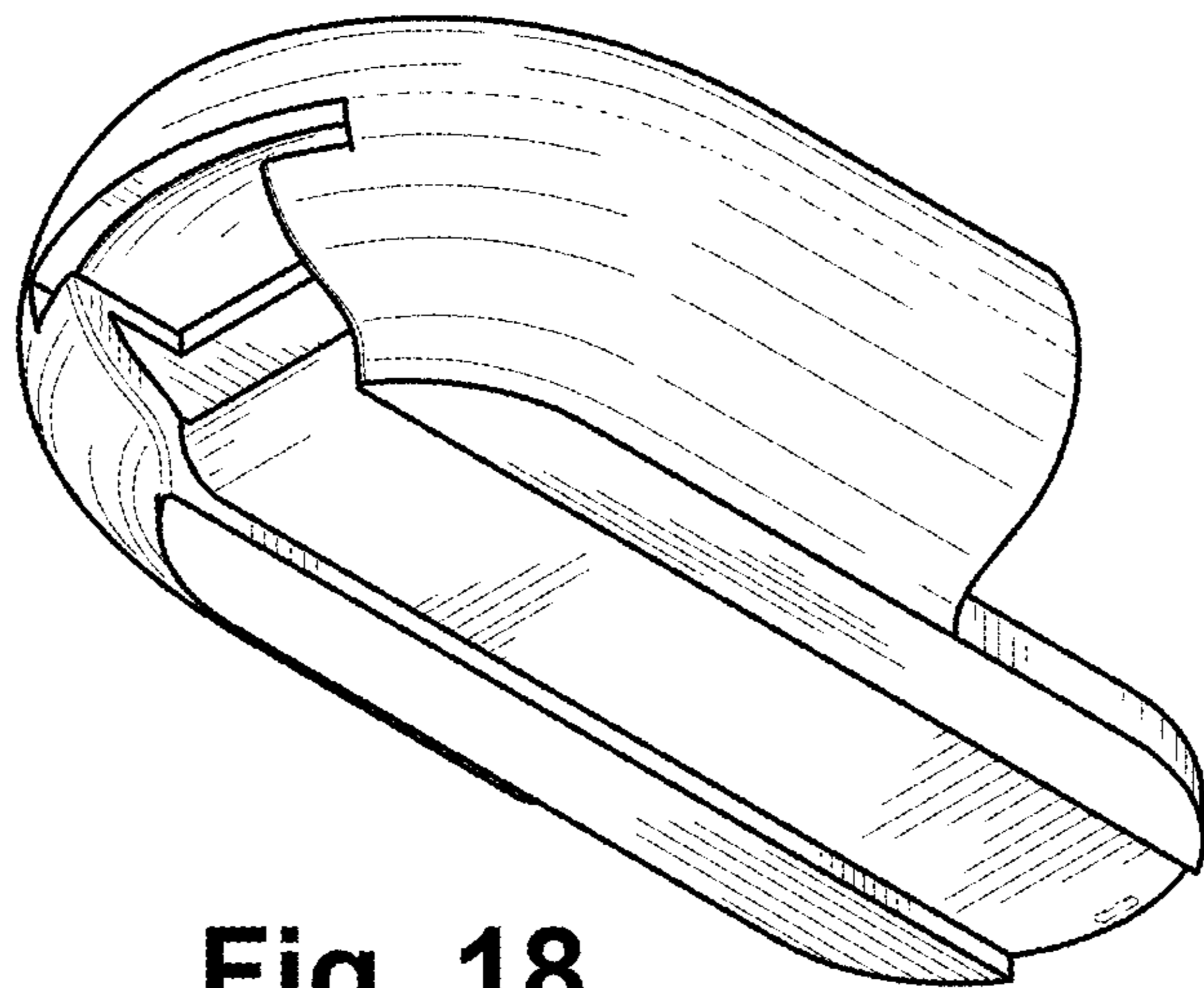
**Fig. 15**



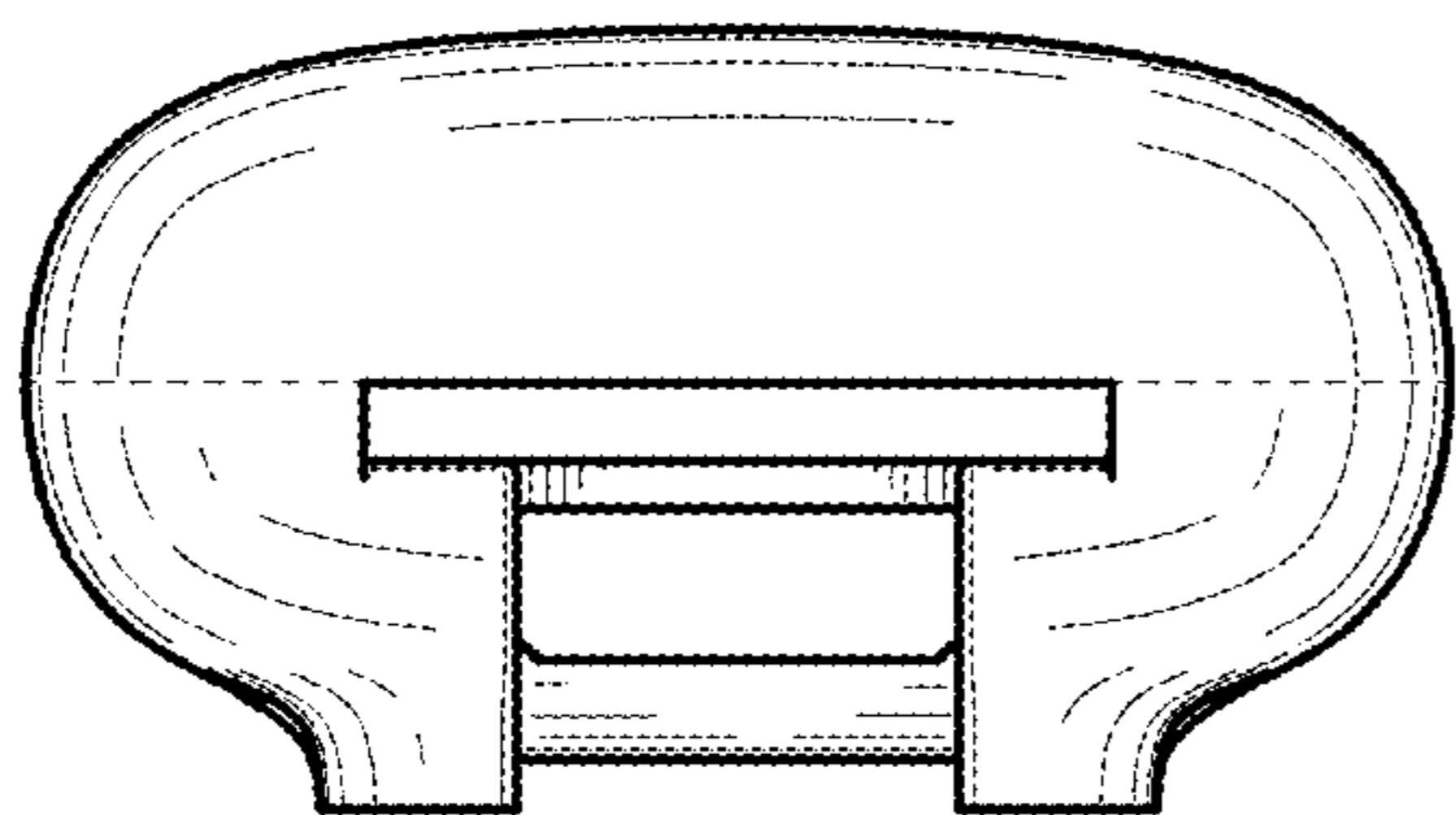
**Fig. 16**



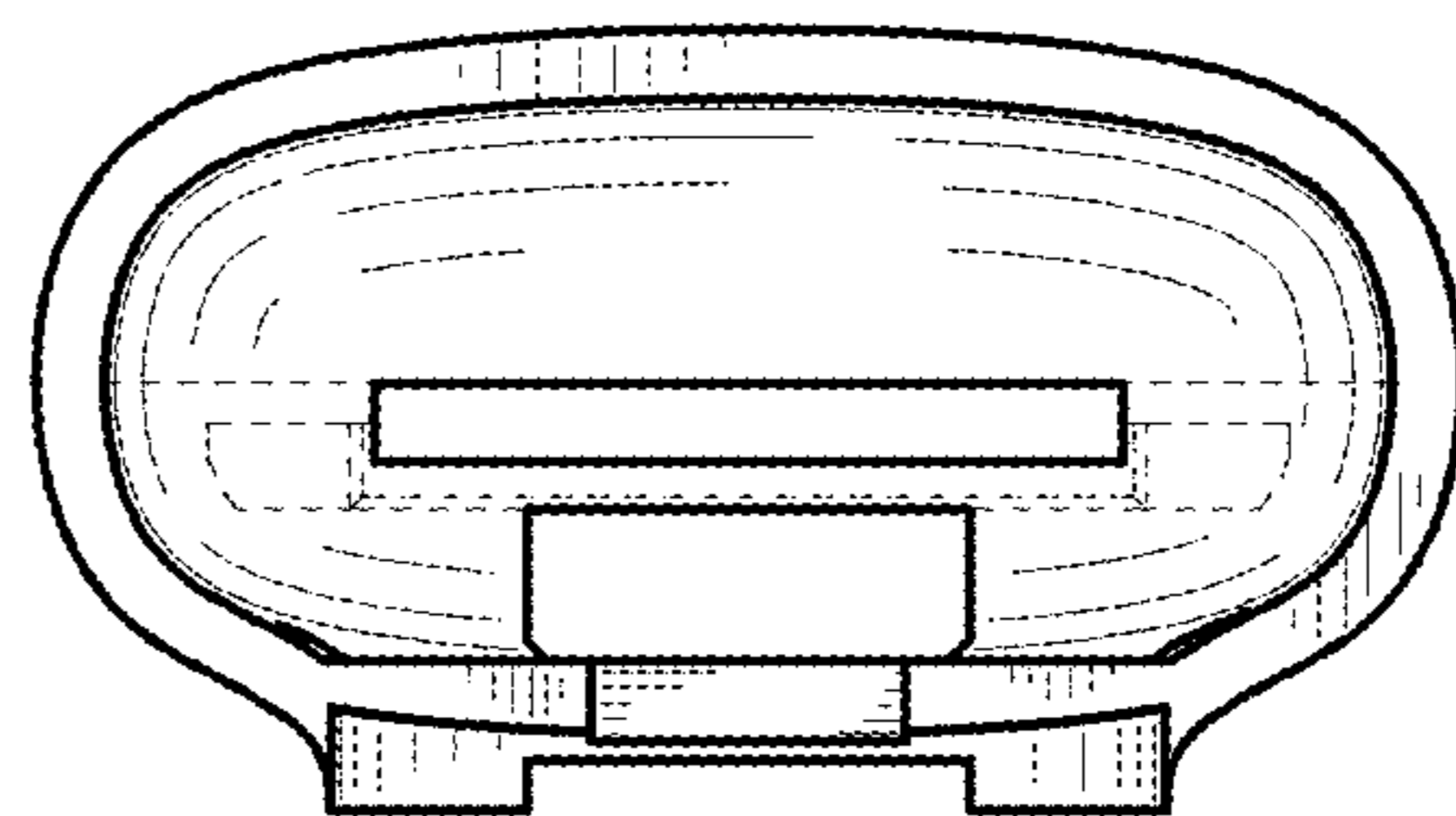
**Fig. 17**



**Fig. 18**

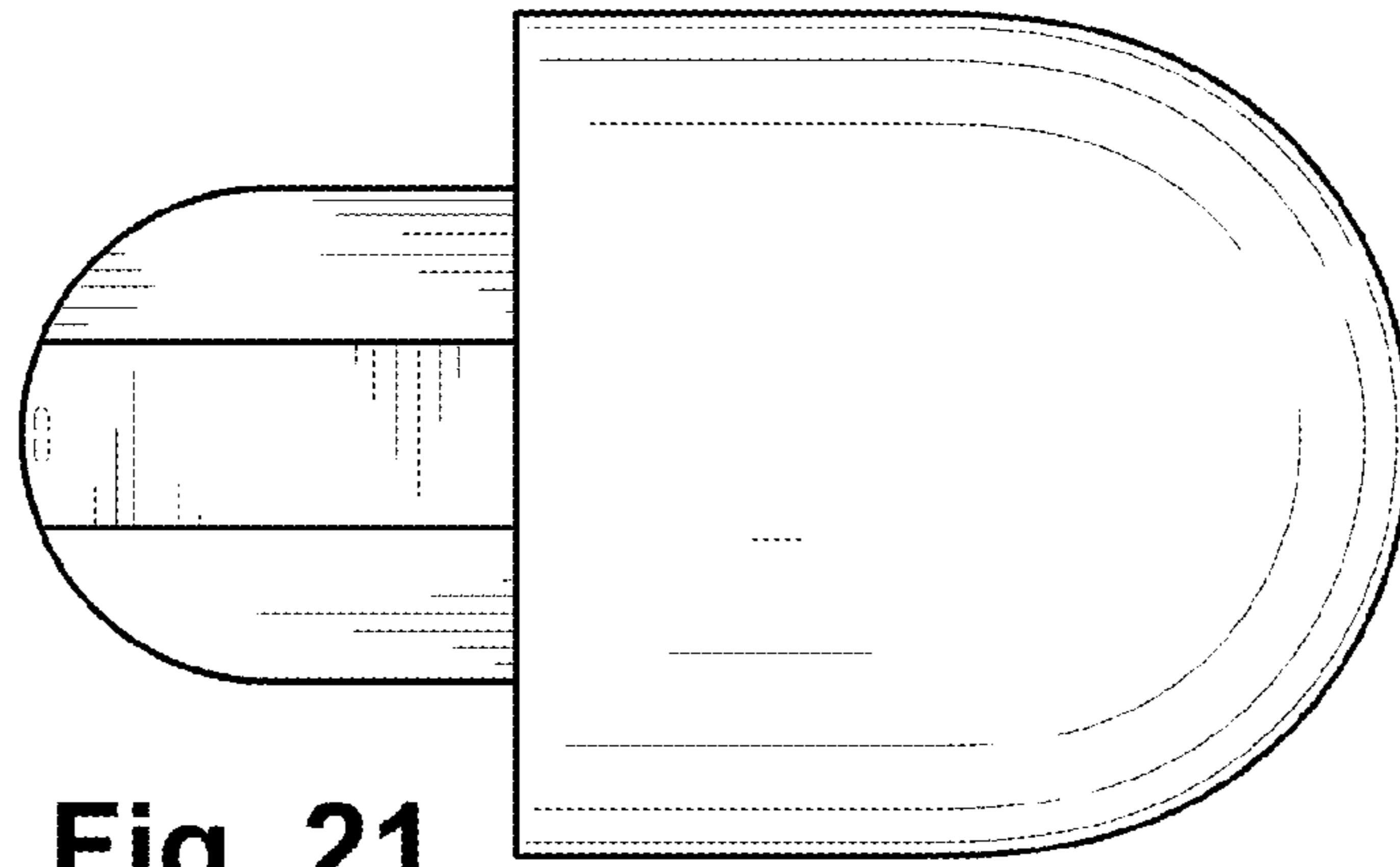


**Fig. 19**

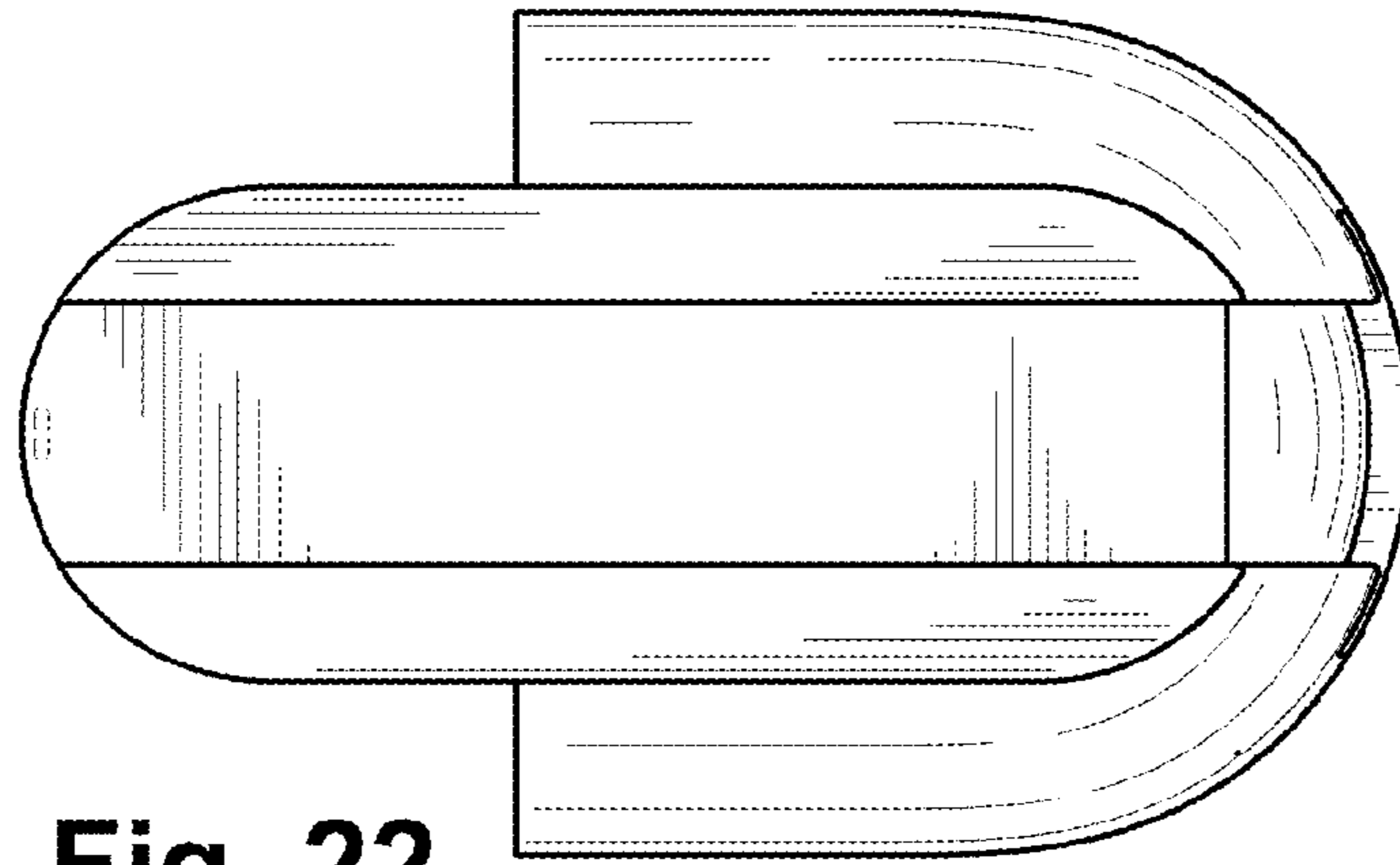


**Fig. 20**

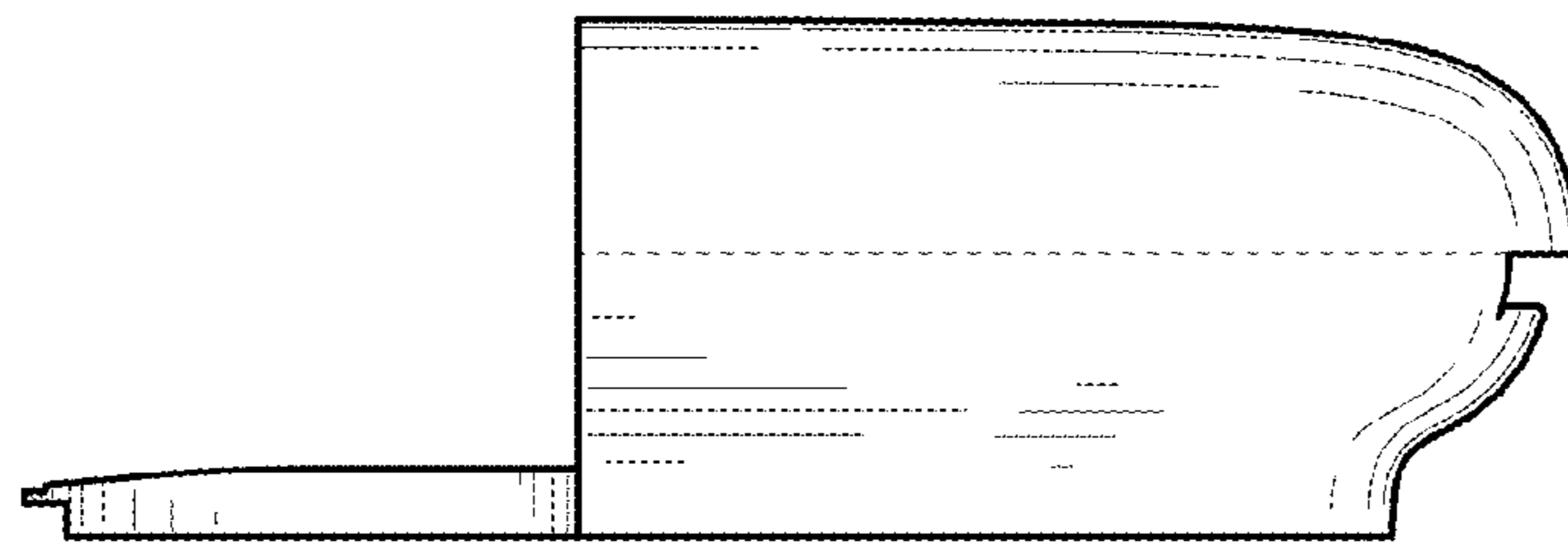




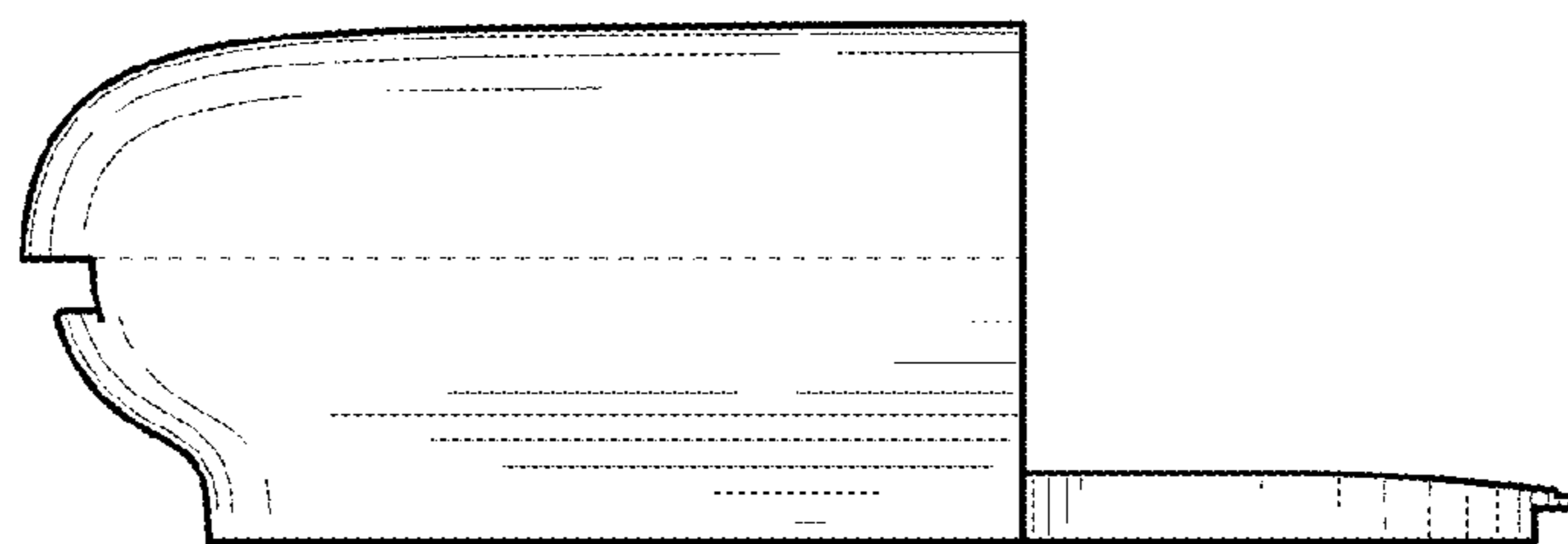
**Fig. 21**



**Fig. 22**

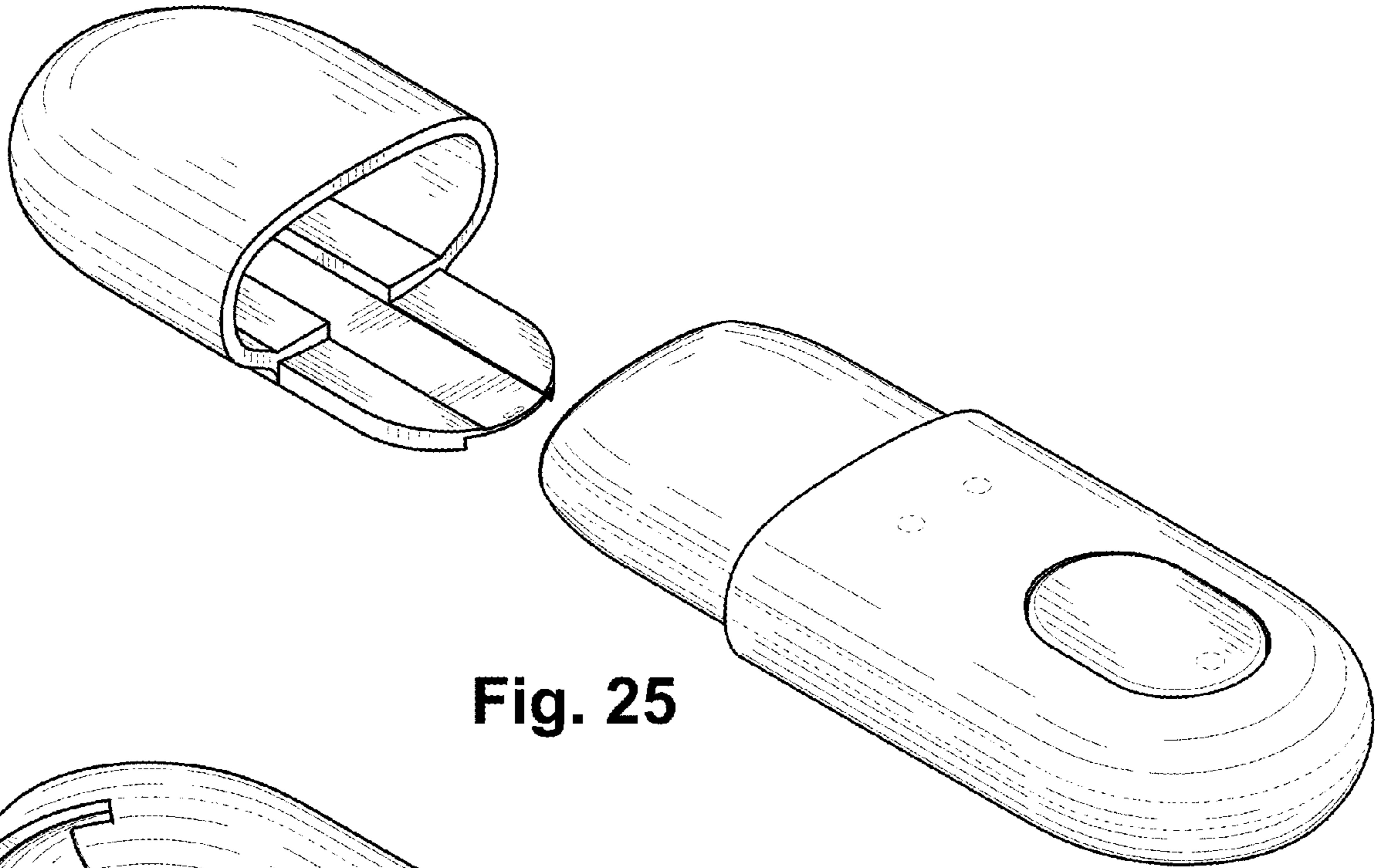


**Fig. 23**

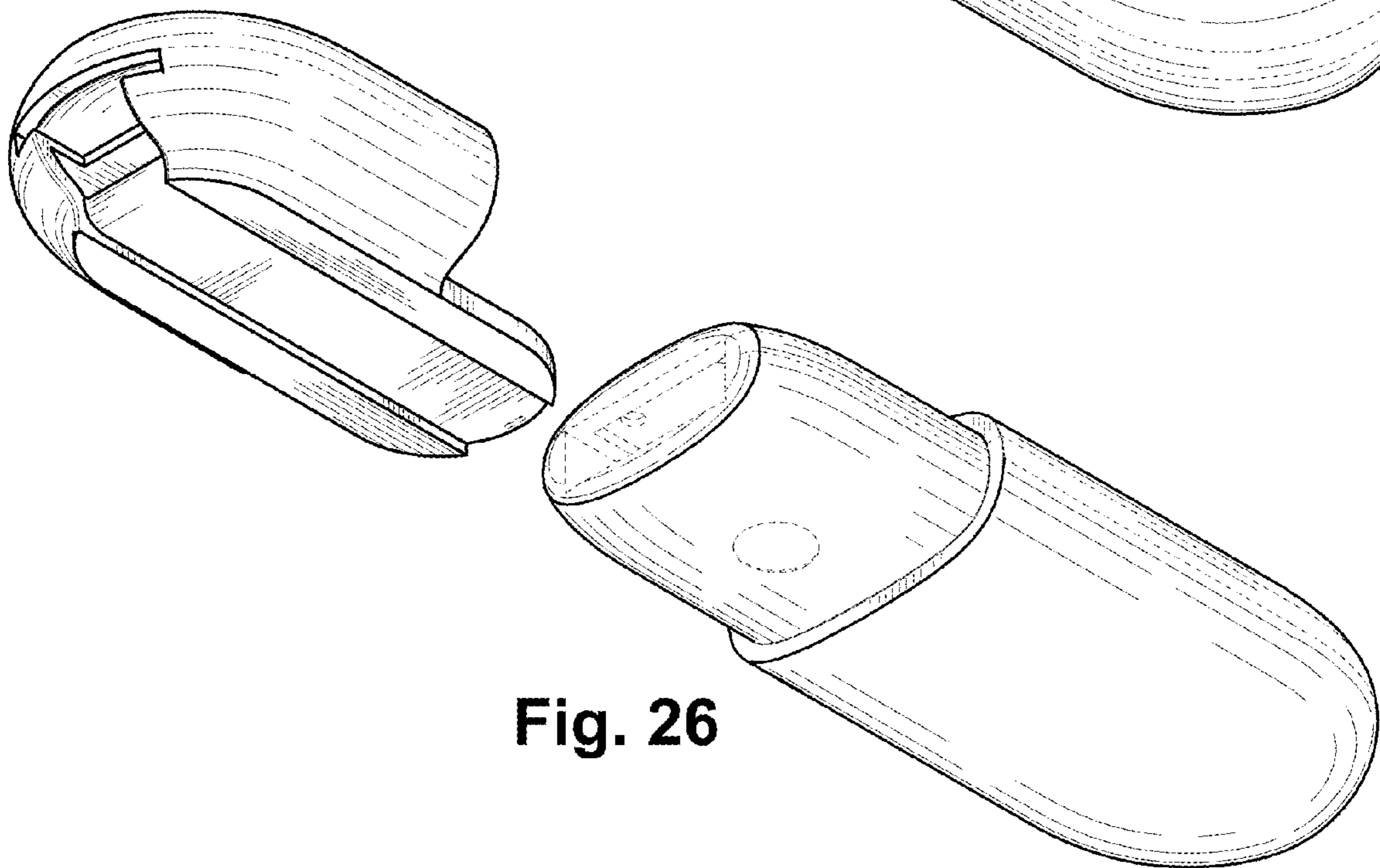


**Fig. 24**





**Fig. 25**



**Fig. 26**