



US00D945630S

(12) **United States Design Patent** (10) **Patent No.:** **US D945,630 S**
DaCosta et al. (45) **Date of Patent:** **** Mar. 8, 2022**

(54) **DARKENING DRAPE**

FOREIGN PATENT DOCUMENTS

(71) Applicant: **MolecuLight, Inc.**, Toronto (CA)

AU 2011242140 11/2011
CN 105954194 9/2016

(72) Inventors: **Ralph DaCosta**, Etobicoke (CA);
Garrett Vermey, Toronto (CA); **Nitesh Mistry**, Markham (CA); **Danielle Dunham**, Toronto (CA); **Simon Treadwell**, Toronto (CA); **Sonia Gulia**, Toronto (CA)

(Continued)

OTHER PUBLICATIONS

MolecuLight website, MolecuLight DarkDrape, Dec. 21, 2020, <https://molecuLight.com/molecuLight-darkdrape/> (Year: 2020).*

(Continued)

(73) Assignee: **MolecuLight, Inc.**, Toronto (CA)

Primary Examiner — Nathan M Johnston

(**) Term: **15 Years**

(74) *Attorney, Agent, or Firm* — Jones Robb, PLLC

(21) Appl. No.: **29/770,828**

(57) **CLAIM**

(22) Filed: **Feb. 17, 2021**

The ornamental design for a darkening drape, as shown and described.

Related U.S. Application Data

(62) Division of application No. 29/647,110, filed on May 9, 2018, now Pat. No. Des. 912,255.

DESCRIPTION

(51) **LOC (13) Cl.** **24-01**

(52) **U.S. Cl.**
USPC **D24/189**

(58) **Field of Classification Search**
USPC D24/189; D6/602
CPC ... A61B 46/00; A61B 2046/205; A61B 46/30;
A61B 2046/236; A61B 46/23; A61B
2046/201; A61B 2046/234
See application file for complete search history.

FIG. 1 is a front perspective view of an embodiment of a darkening drape showing our new design with an exemplary handheld imaging device mounted thereon.

FIG. 2 is a front view thereof.

FIG. 3 is a back view thereof.

FIG. 4 is a right side view thereof.

FIG. 5 is a left side view thereof.

FIG. 6 is a top view thereof; and,

FIG. 7 is a bottom view thereof.

The broken lines show portions of the darkening drape that form no part of the claimed design. The dash dot lines immediately adjacent to the claimed areas in the views represent the boundaries of the claimed design. None of the broken lines form any part of the claimed design.

The darkening drape is shown with a symbolic break in its length. The appearance of any portion of the darkening drape between the break lines forms no part of the claimed design.

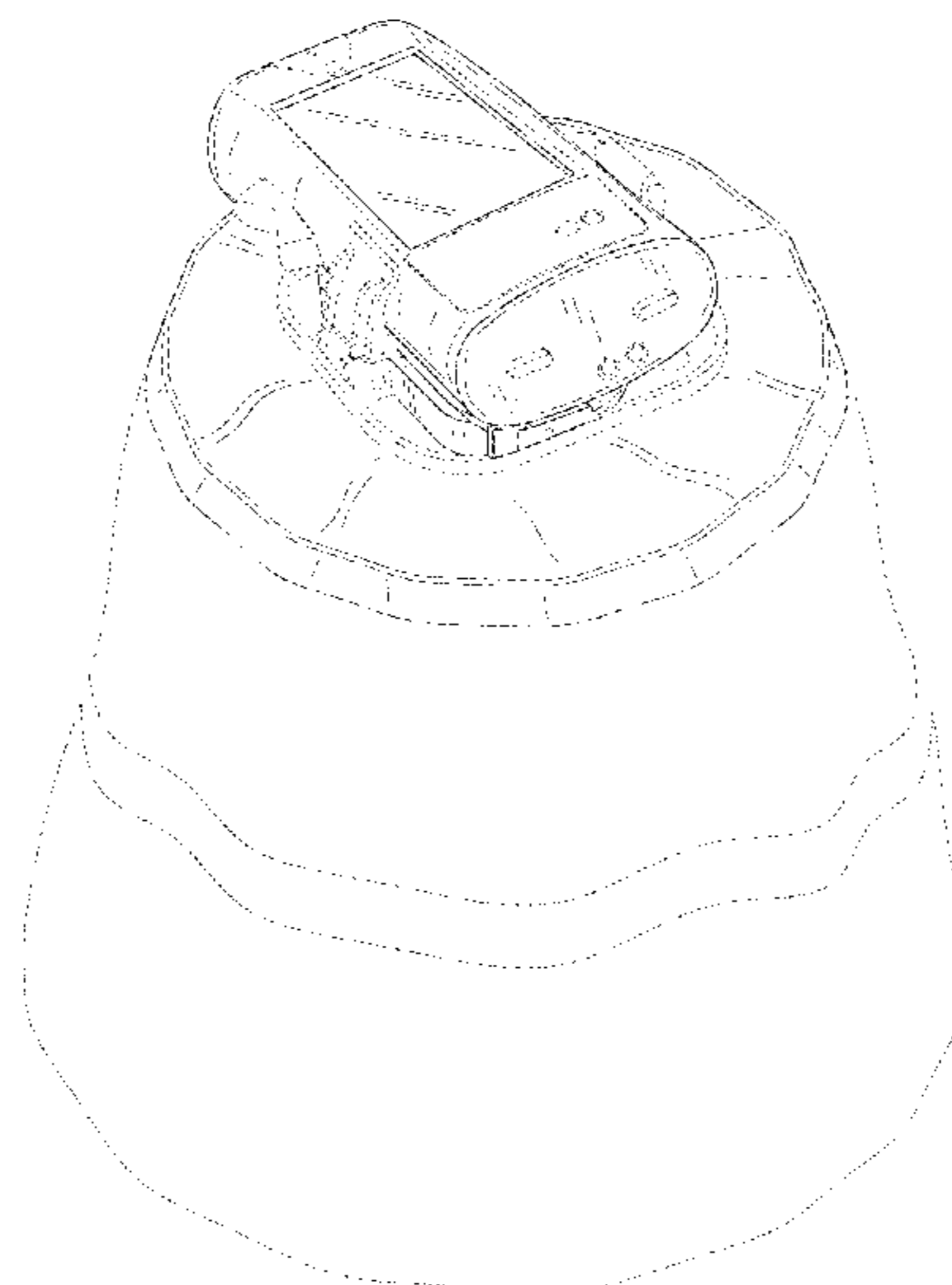
(56) **References Cited**

U.S. PATENT DOCUMENTS

D256,161 S 7/1980 Oliver
D260,492 S 9/1981 Acott
D295,221 S * 4/1988 Solomon D23/284
D318,920 S 8/1991 Bruhl
5,097,963 A 3/1992 Chernosky et al.
5,107,859 A 4/1992 Alcorn et al.
D333,517 S * 2/1993 Alcorn D24/117

(Continued)

1 Claim, 7 Drawing Sheets



(56)

References Cited

U.S. PATENT DOCUMENTS

5,279,743 A 1/1994 Ward et al.
 5,488,944 A 2/1996 Kennedy
 5,494,050 A * 2/1996 Reyes A61B 46/27
 128/849
 D382,203 S 8/1997 Fonville
 D456,518 S 4/2002 Ioannides
 6,413,240 B1 7/2002 Bierman et al.
 D467,049 S * 12/2002 Kohn D32/53.1
 D467,345 S 12/2002 Gingles
 D498,536 S 11/2004 Ewonce et al.
 D503,982 S 4/2005 Liedtke et al.
 D617,910 S 6/2010 Horton et al.
 D636,674 S * 4/2011 Golota D9/452
 D630,325 S 6/2011 Kirsch et al.
 D657,886 S * 4/2012 Mayfield D24/224
 8,196,739 B2 6/2012 Kirsch
 D703,044 S * 4/2014 Chou D9/435
 D716,444 S 10/2014 Khalaj
 D737,435 S * 8/2015 Ha D24/128
 D739,234 S * 9/2015 Antal, Sr. D9/445
 D796,036 S 8/2017 Ren
 D796,685 S 9/2017 Ohizep
 D800,917 S 10/2017 Cataldo et al.
 D802,755 S * 11/2017 Snyder A61M 37/0069
 D24/128
 D804,677 S 12/2017 Ramires et al.
 D804,678 S 12/2017 Ramires et al.
 D810,949 S 2/2018 Osher
 D820,457 S * 6/2018 Sommer D24/180

D849,533 S * 5/2019 Broyles D9/434
 D851,772 S 6/2019 Haines et al.
 D859,155 S 9/2019 Reiley et al.
 D864,718 S * 10/2019 Gibney D9/447
 10,441,749 B2 10/2019 Karim et al.
 D877,931 S 3/2020 DaCosta et al.
 D903,863 S 12/2020 DaCosta et al.
 D912,255 S 3/2021 DaCosta et al.
 2007/0017529 A1 1/2007 Lee et al.
 2014/0207003 A1 7/2014 Gilhuly et al.
 2014/0218687 A1 8/2014 Verdooner
 2015/0038912 A1 2/2015 Karim et al.

FOREIGN PATENT DOCUMENTS

EP 1252859 10/2002
 KR 200320485 7/2003
 KR 200342885 2/2004
 WO 2019/213737 11/2019

OTHER PUBLICATIONS

International Search Report from International Application No. PCT/CA2019/000061, dated Jul. 24, 2019.
 Written Opinion from International Application No. PCT/CA2019/000061, dated Jul. 24, 2019.
 Notice of Allowance in Design U.S. Appl. No. 29/676,893, dated Jul. 24, 2020.
 Notice of Allowance in Design U.S. Appl. No. 29/647,110, dated Oct. 30, 2020.

* cited by examiner

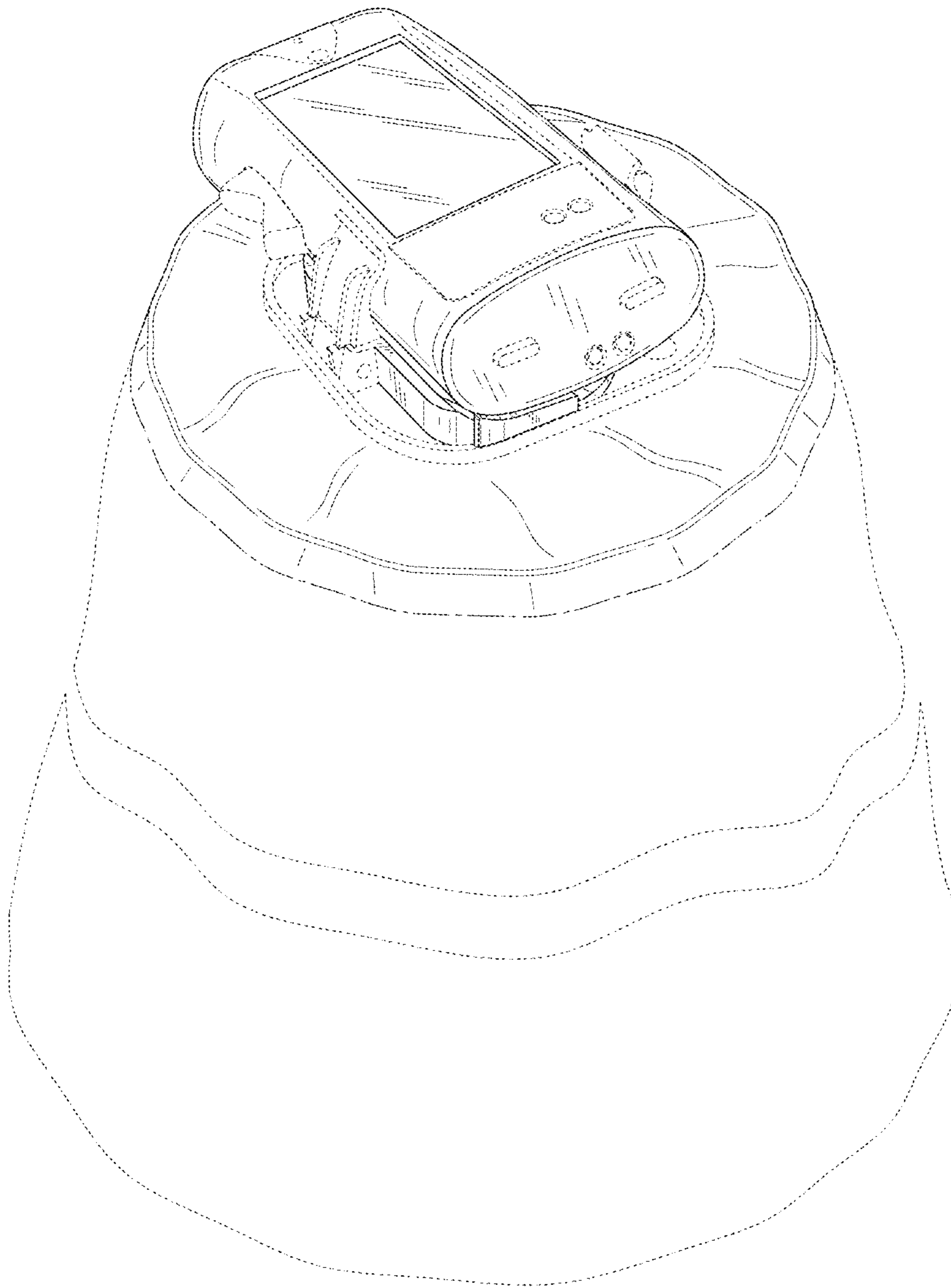


FIG. 1

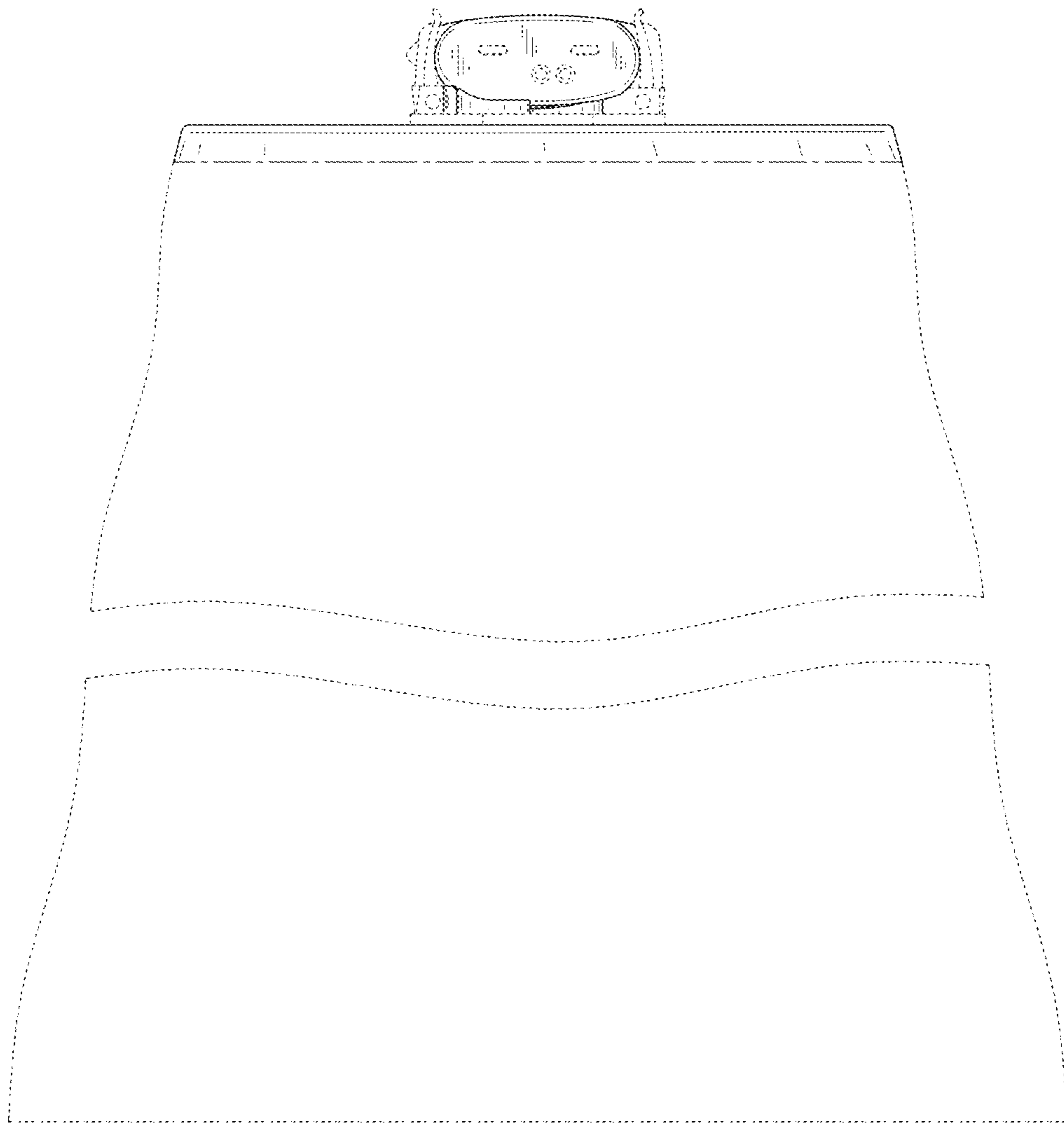


FIG. 2

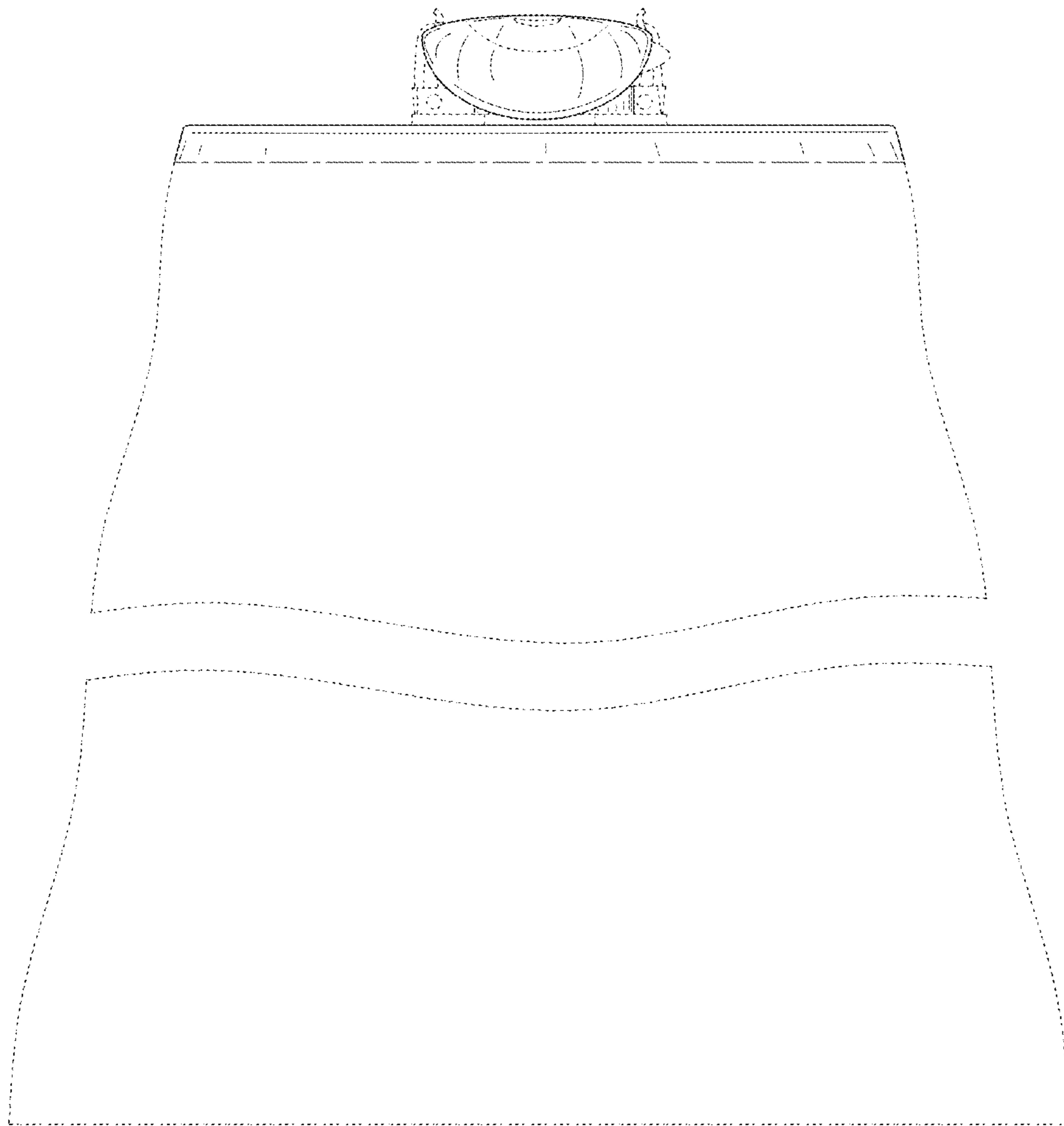


FIG. 3

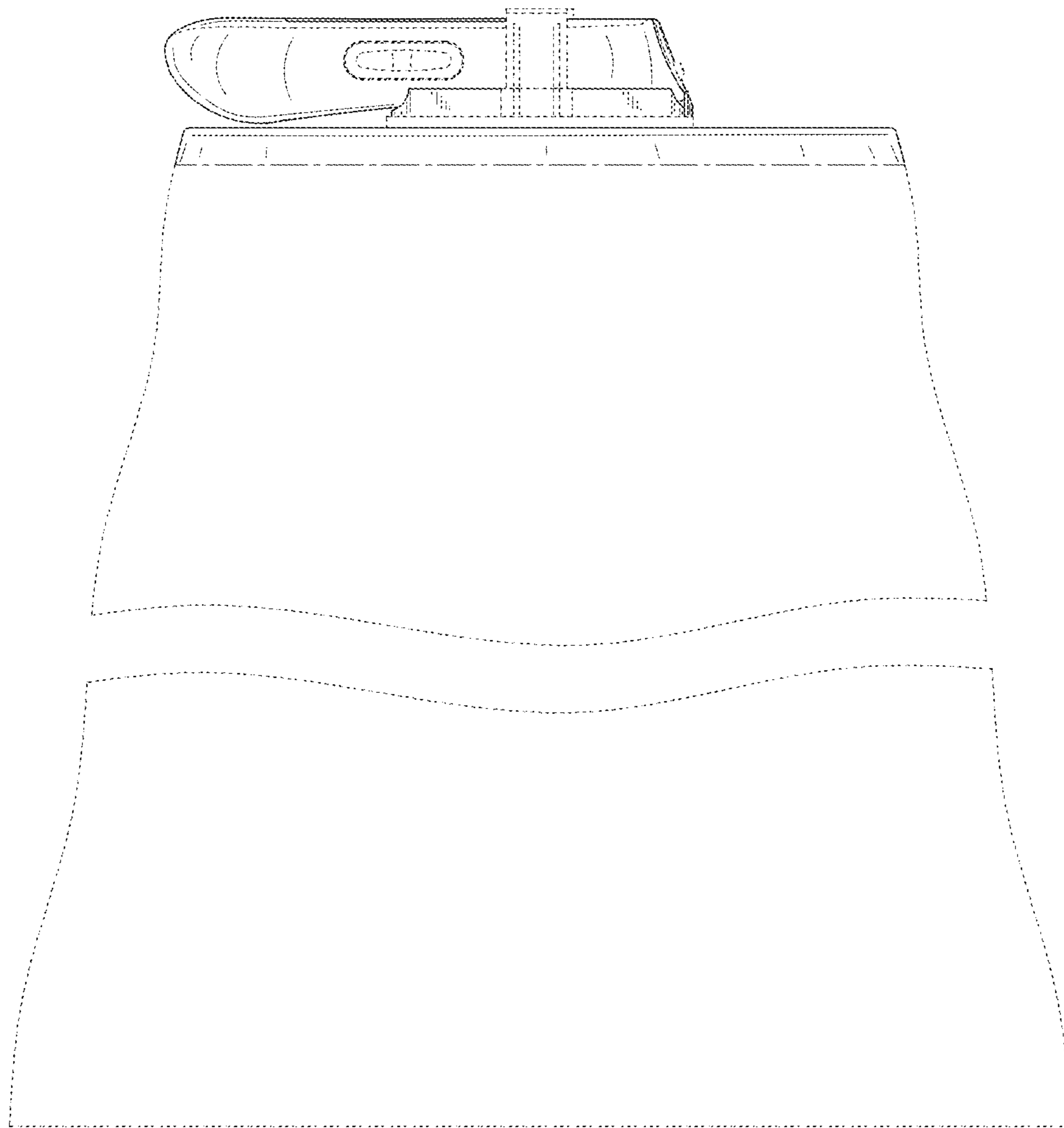


FIG. 4

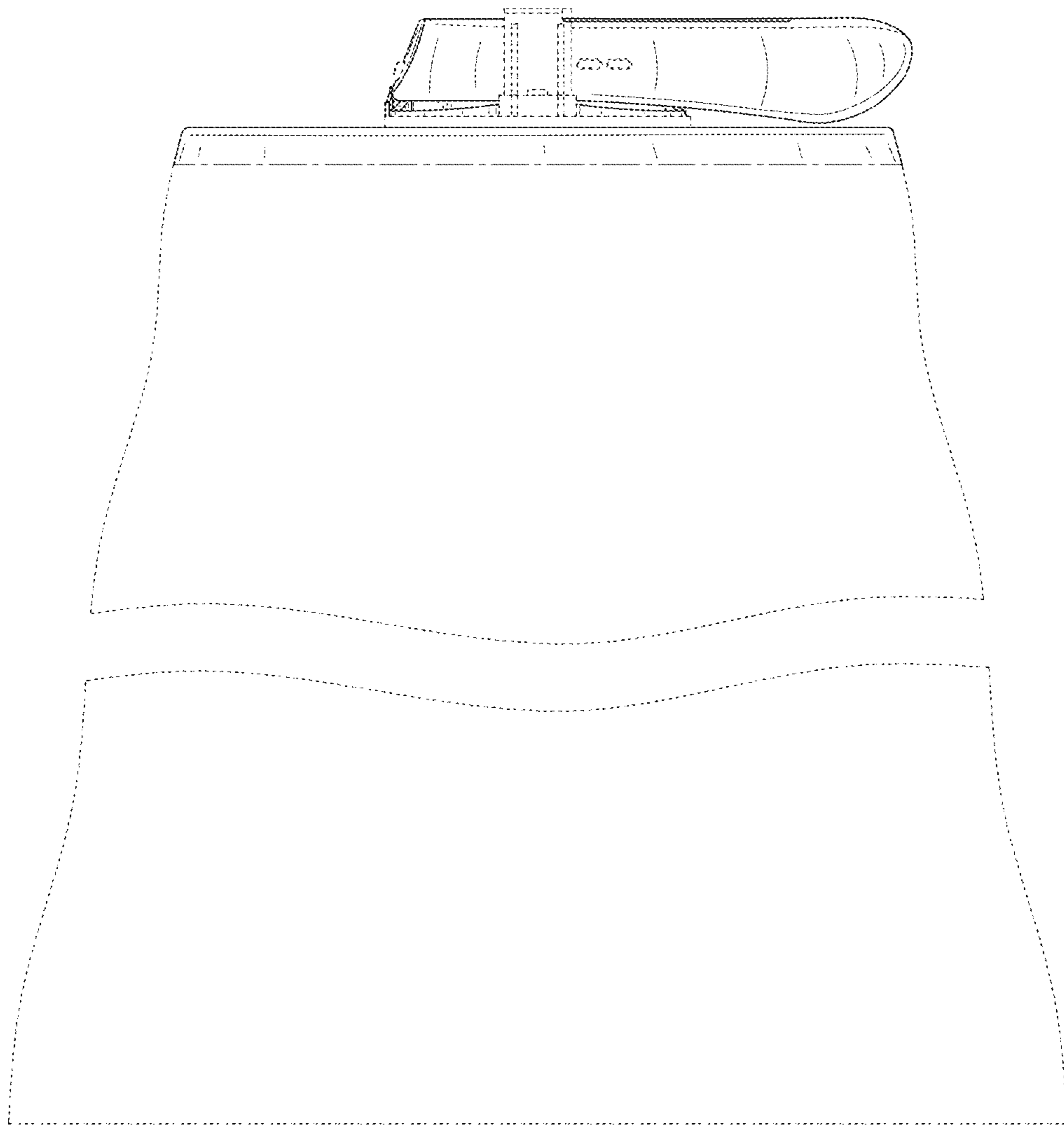


FIG. 5

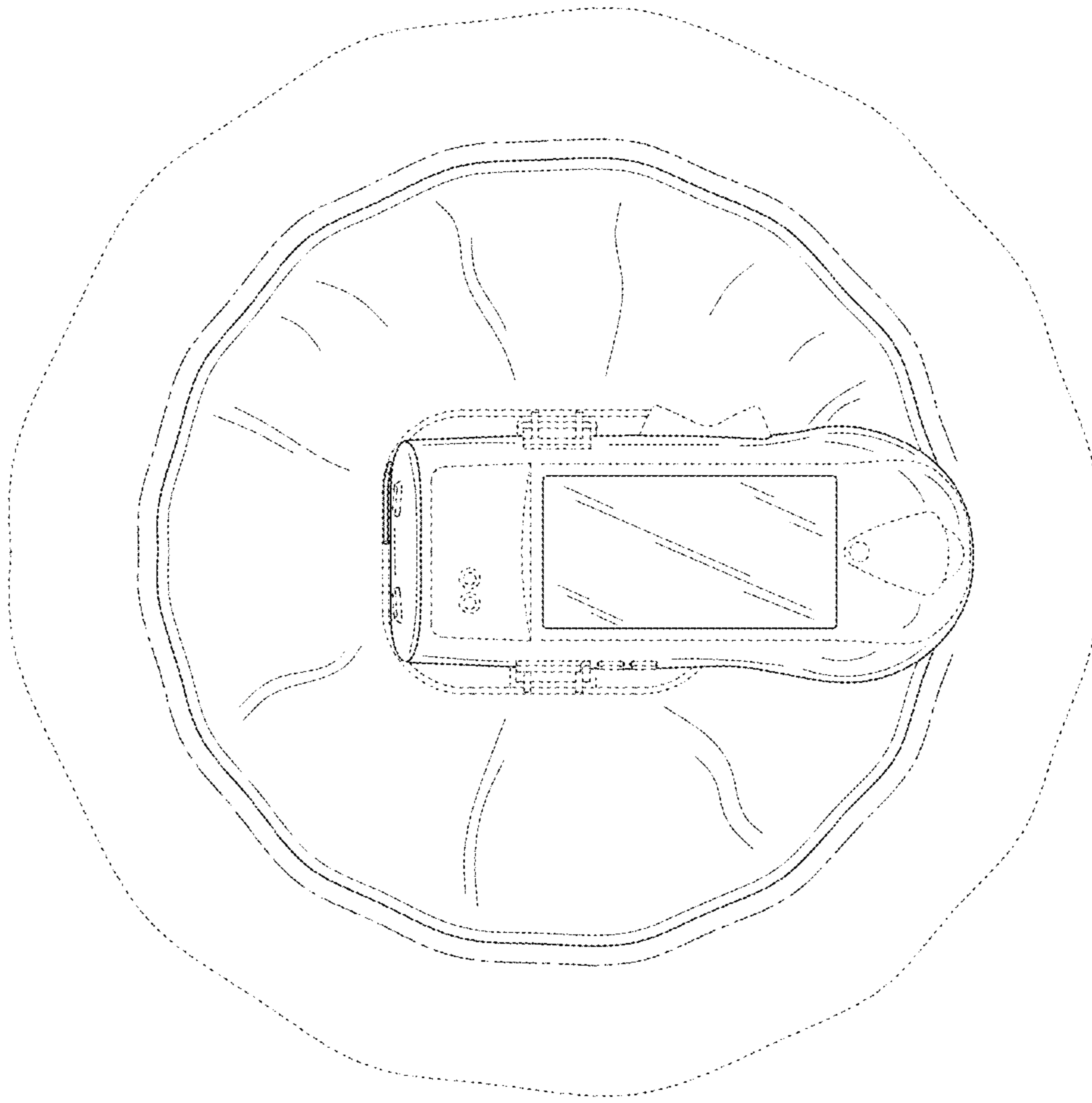


FIG. 6

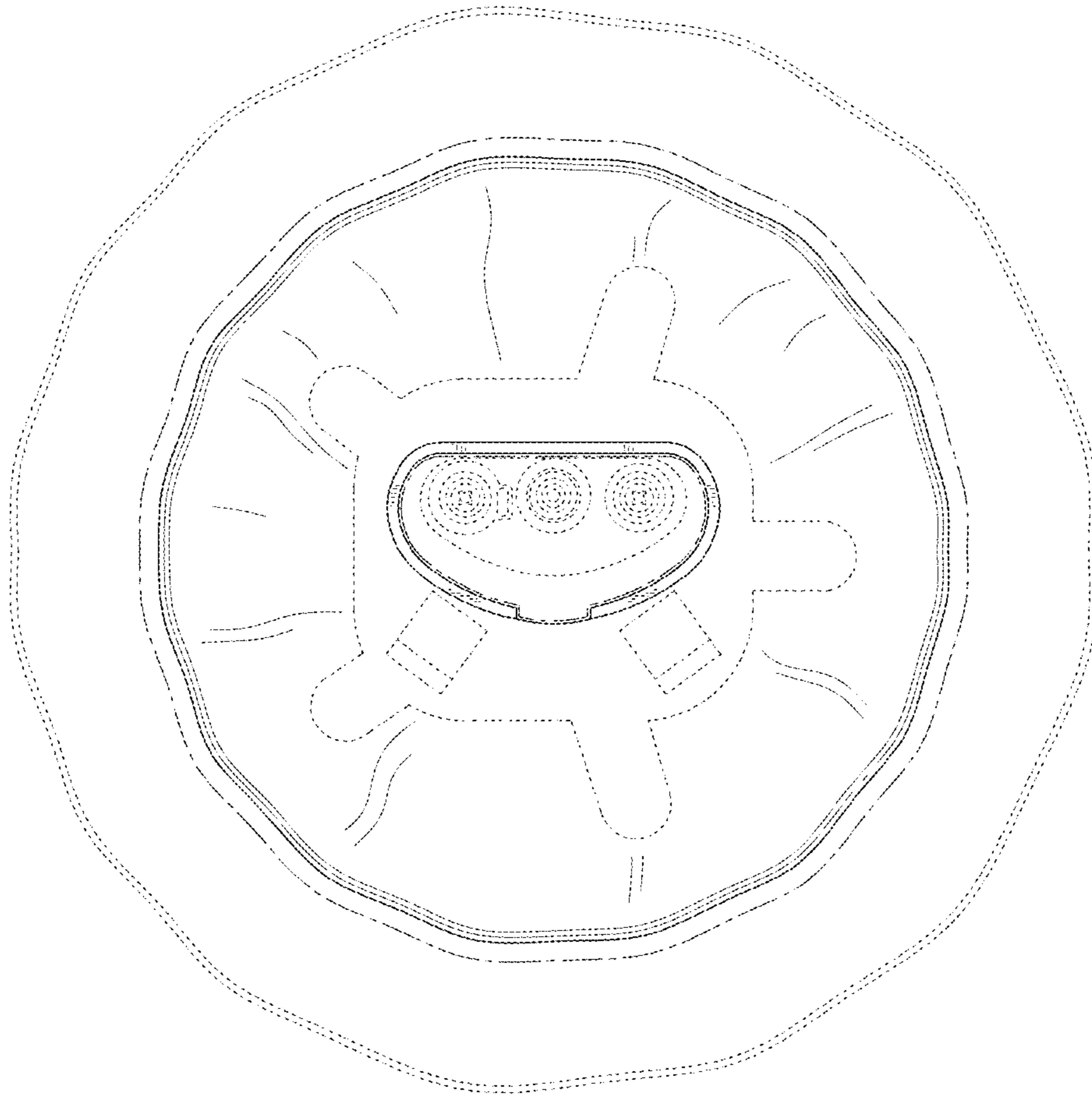


FIG. 7