



US00D945627S

(12) **United States Design Patent**  
**Naude**

(10) **Patent No.:** **US D945,627 S**  
(45) **Date of Patent:** **\*\* Mar. 8, 2022**

(54) **MULTI-SENSOR INTERACTIVE PATIENT CARE POD**

(71) Applicant: **Eddie Naude**, Kelowna (CA)

(72) Inventor: **Eddie Naude**, Kelowna (CA)

(\*\*) Term: **15 Years**

(21) Appl. No.: **29/714,211**

(22) Filed: **Nov. 21, 2019**

(51) **LOC (13) Cl.** ..... **24-02**

(52) **U.S. Cl.**  
USPC ..... **D24/186**

(58) **Field of Classification Search**  
USPC ..... D24/107, 165–169, 185, 186, 187, 200,  
D24/158, 183, 202; D10/70, 98;  
D6/382, 388, 389, 390  
CPC . A61B 5/02055; A61B 5/002; A61B 5/14552;  
A61B 5/7445; A61B 5/6888; A61B  
5/6891  
See application file for complete search history.

(56) **References Cited**

**U.S. PATENT DOCUMENTS**

D297,364 S *	8/1988	Slater	.....	D24/165
D317,650 S *	6/1991	Soder	.....	D24/202
D334,980 S *	4/1993	Pritchard	.....	D24/158
D408,915 S *	4/1999	Ogiwara	.....	D24/158
D457,642 S *	5/2002	Cunningham	.....	D24/200
D492,998 S *	7/2004	Juni	.....	D24/158
D564,663 S *	3/2008	Udagawa	.....	D24/158
D746,472 S *	12/2015	Morgan	.....	D24/186
D923,179 S *	6/2021	Fu	.....	D24/163
2020/0323605 A1 *	10/2020	Tawil	.....	A61B 5/7445
2021/0153753 A1 *	5/2021	Naude	.....	A61B 5/02055

**OTHER PUBLICATIONS**

AI Pods Developed in Duba Bring Health Checkups to Malls and Supermarkets | Voice of America. Posting date: Apr. 17, 2018. Retrieved from website: <https://www.voanews.com/episode/ai-pods-developed-dubai-bring-health-checkups-malls-and-supermarkets-3776756i>.\*

\* cited by examiner

*Primary Examiner* — Anhdao Doan

(74) *Attorney, Agent, or Firm* — Pharar Patents & Intellectual Property; Andrew A. Pharar

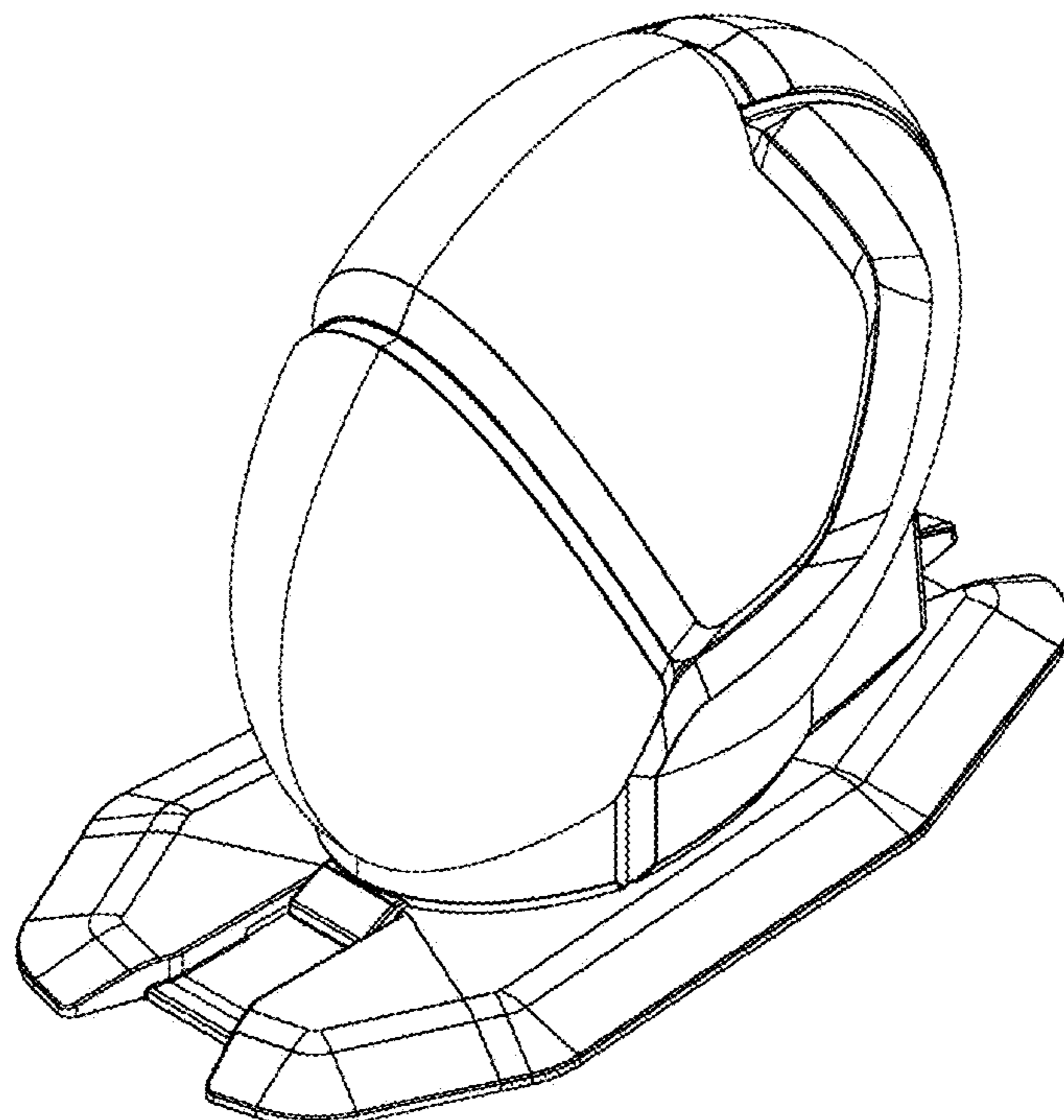
(57) **CLAIM**

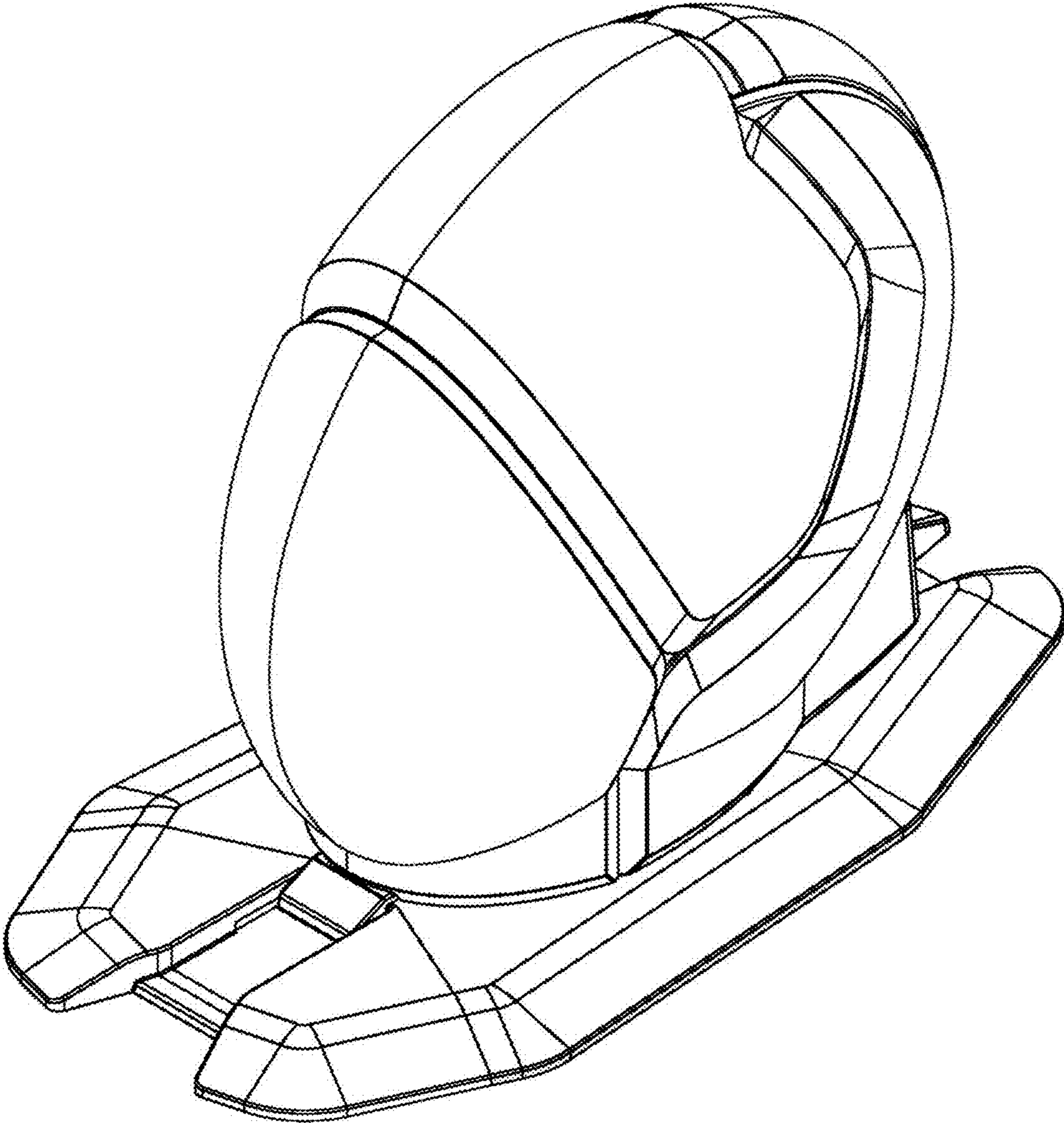
The ornamental design for a multi-sensor interactive patient care pod, as shown and described.

**DESCRIPTION**

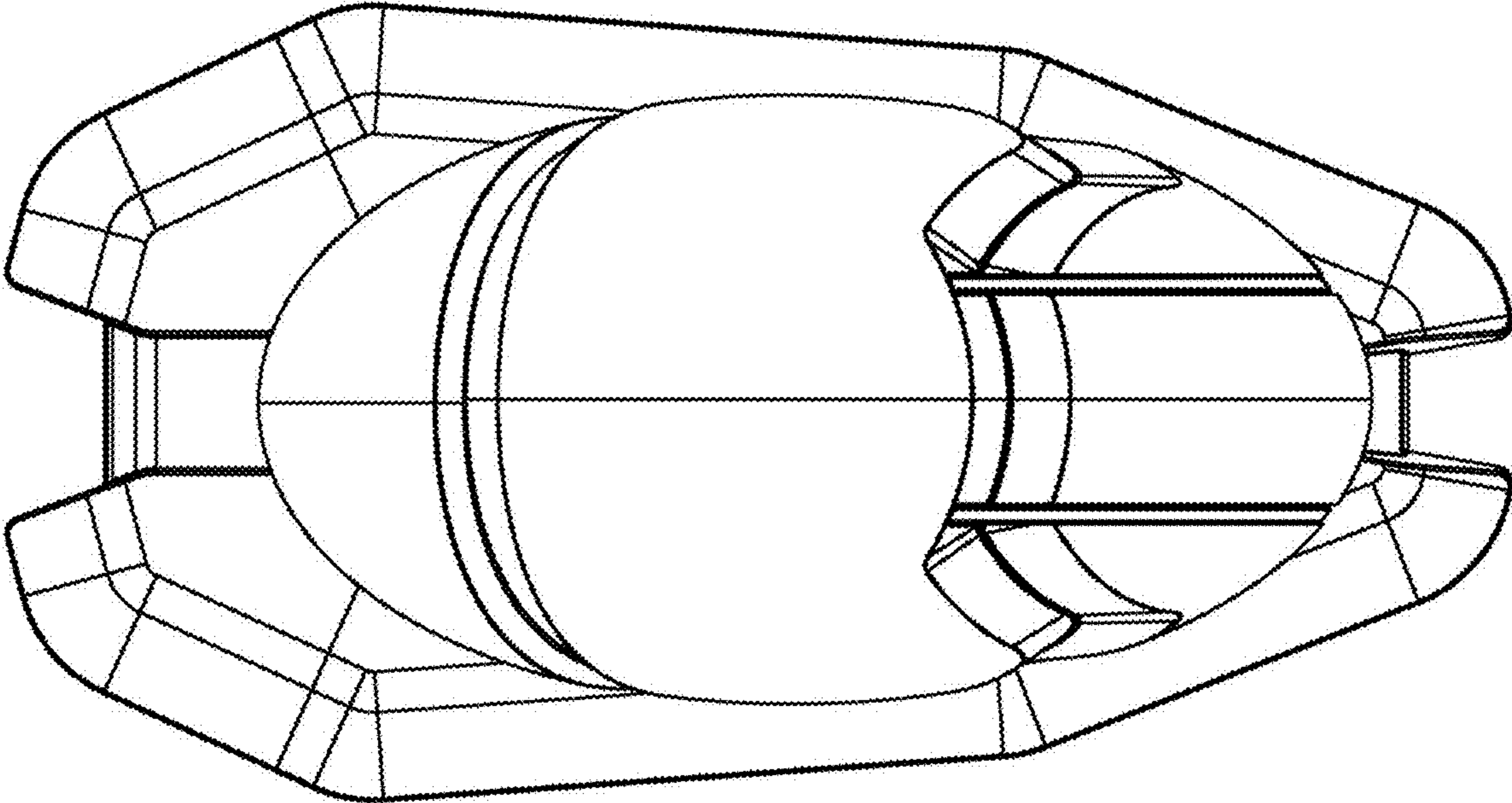
FIG. 1 is a front isometric perspective view of a multi-sensor interactive patient care pod in a closed orientation; FIG. 2 is a top plan view thereof; FIG. 3 is a front elevation view thereof; FIG. 4 is a left side elevation view thereof; FIG. 5 is a rear elevation view thereof; FIG. 6 is a right side elevation view thereof; FIG. 7 is a top view of the multi-sensor interactive patient care pod in an open orientation; FIG. 8 is a front elevation view thereof; FIG. 9 is a left side elevation view thereof; FIG. 10 is a rear elevation view thereof; and, FIG. 11 is a right side elevation view thereof. The broken lines illustrate portions of the multi-sensor interactive patient care pod that form no part of the claimed design.

**1 Claim, 11 Drawing Sheets**

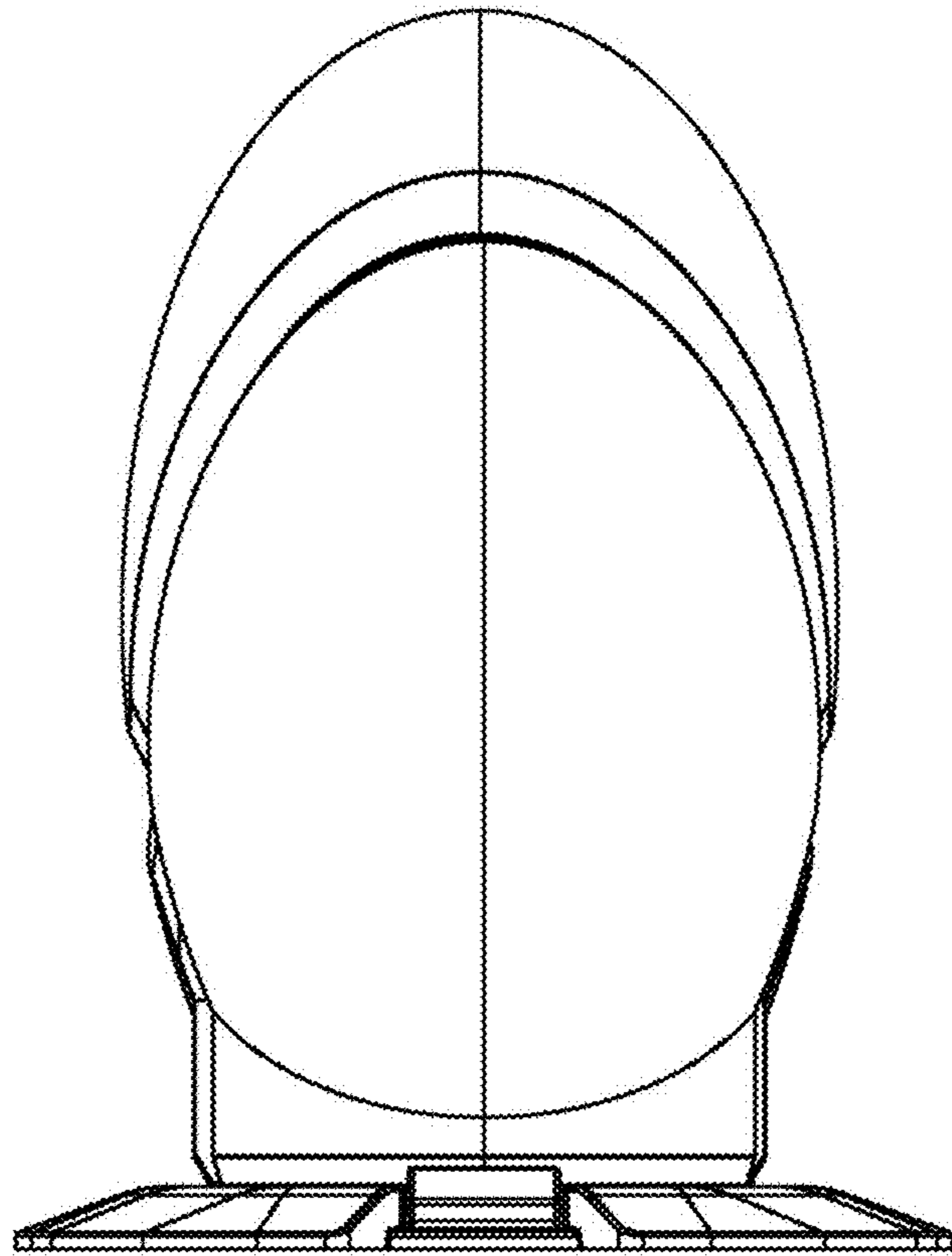




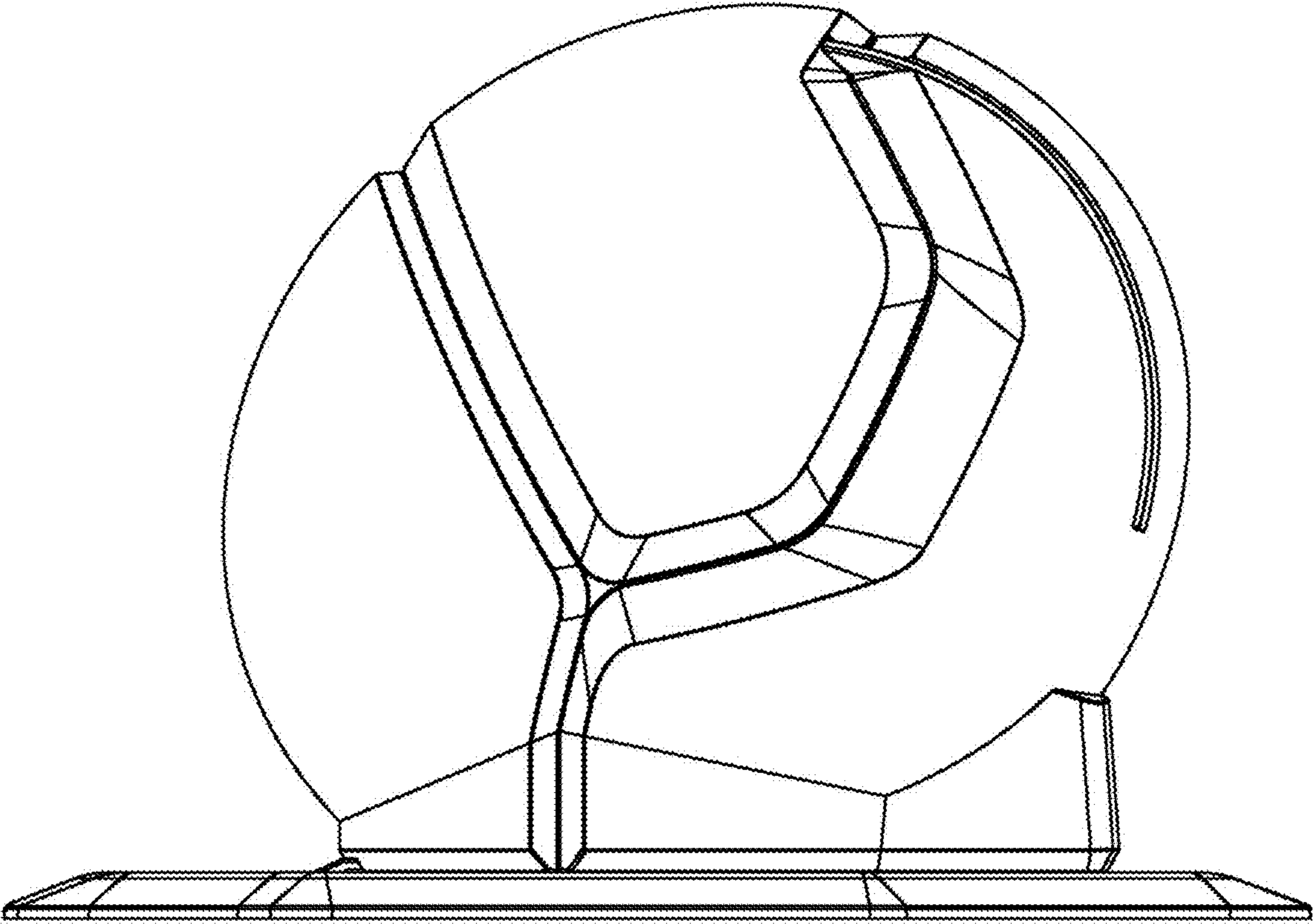
**FIG. 1**



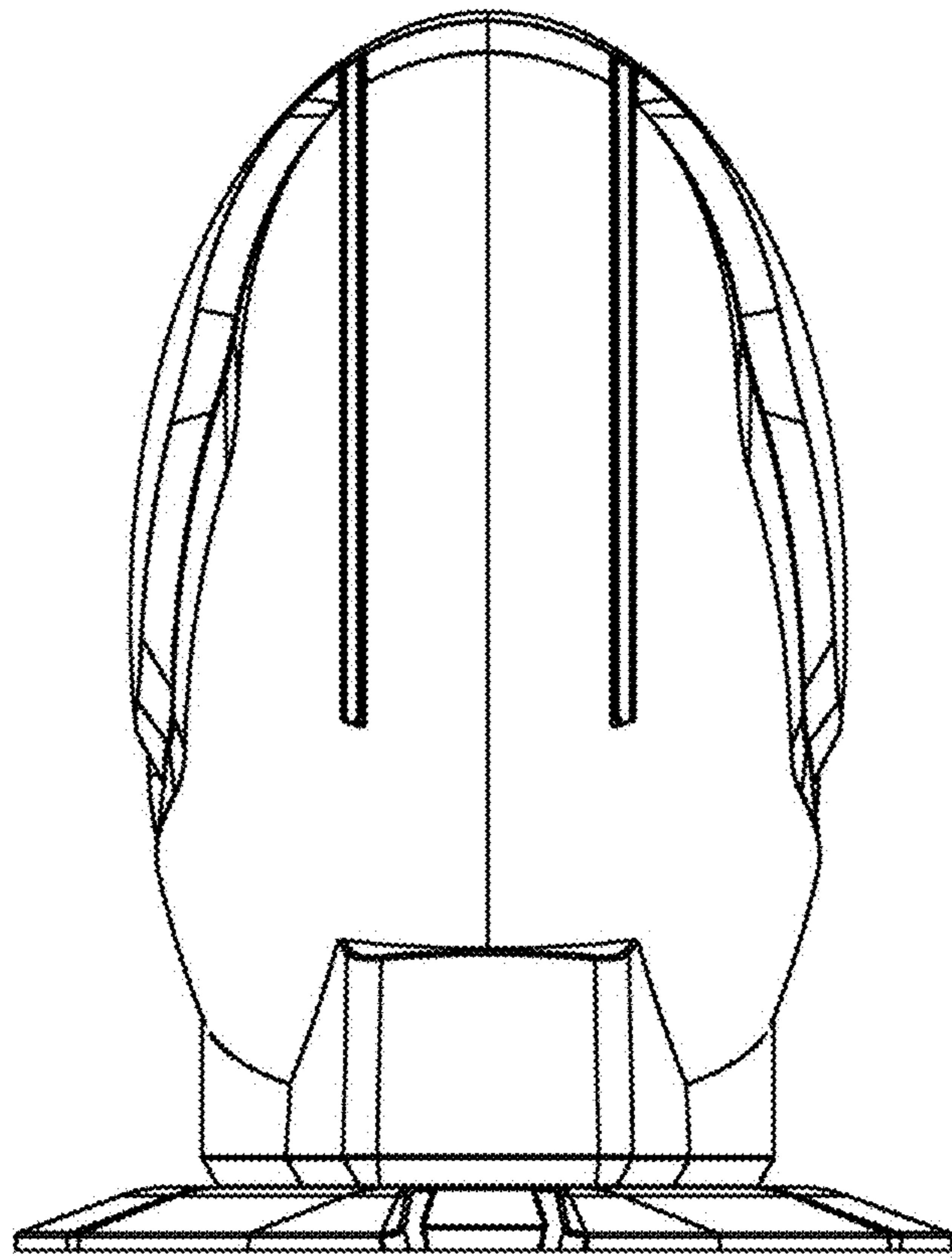
**FIG. 2**



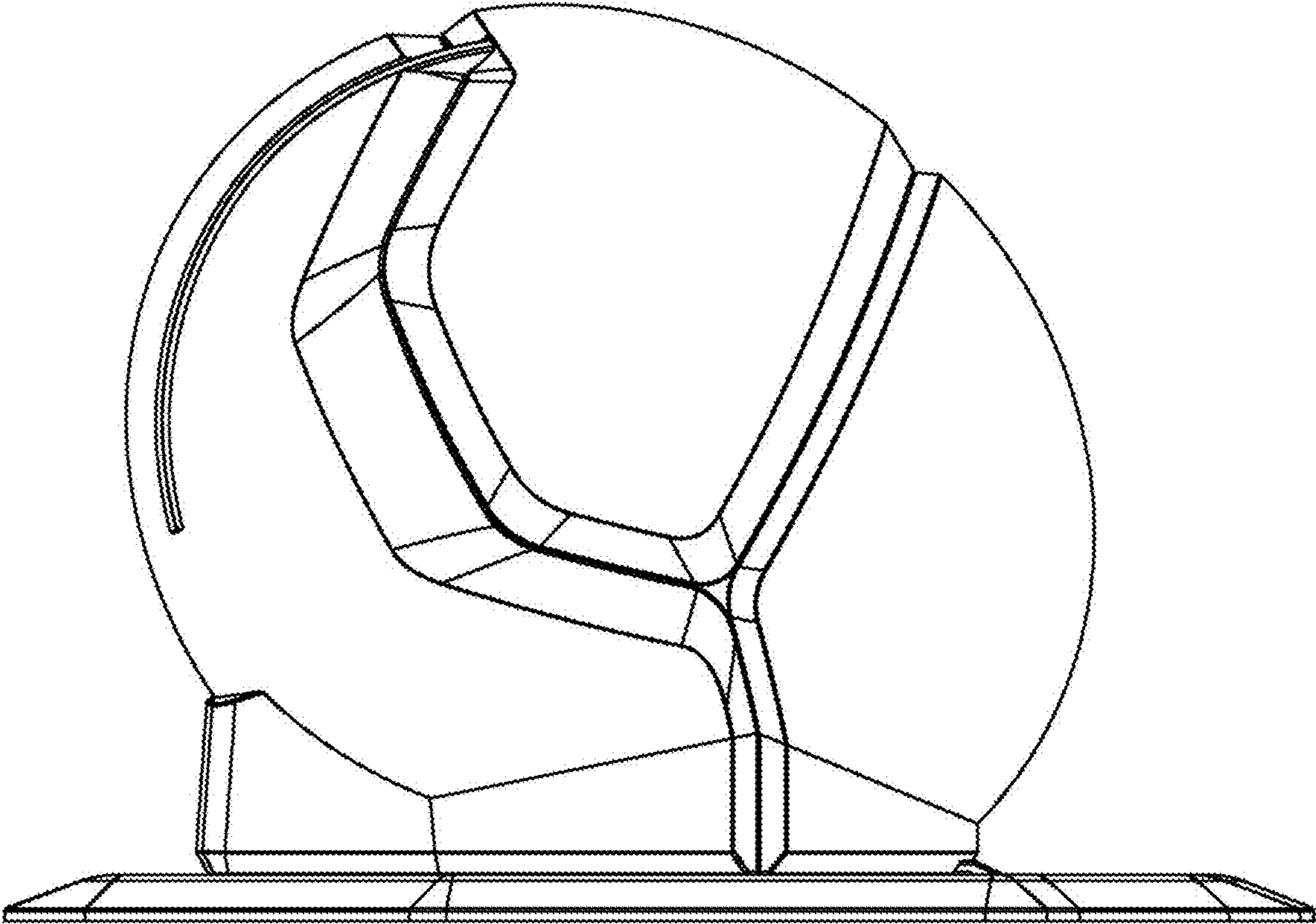
**FIG. 3**



**FIG. 4**



**FIG. 5**



**FIG. 6**

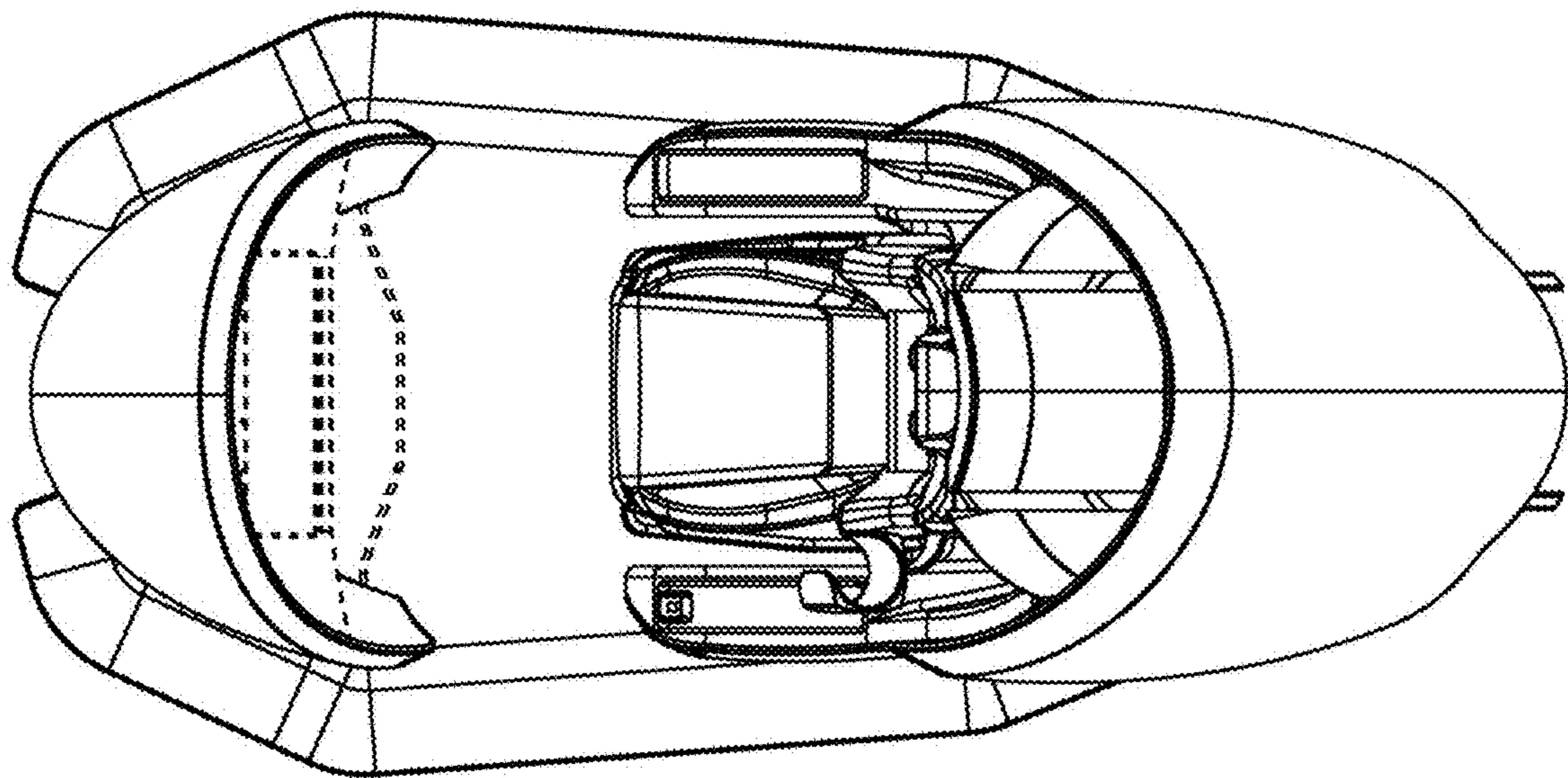


FIG. 7



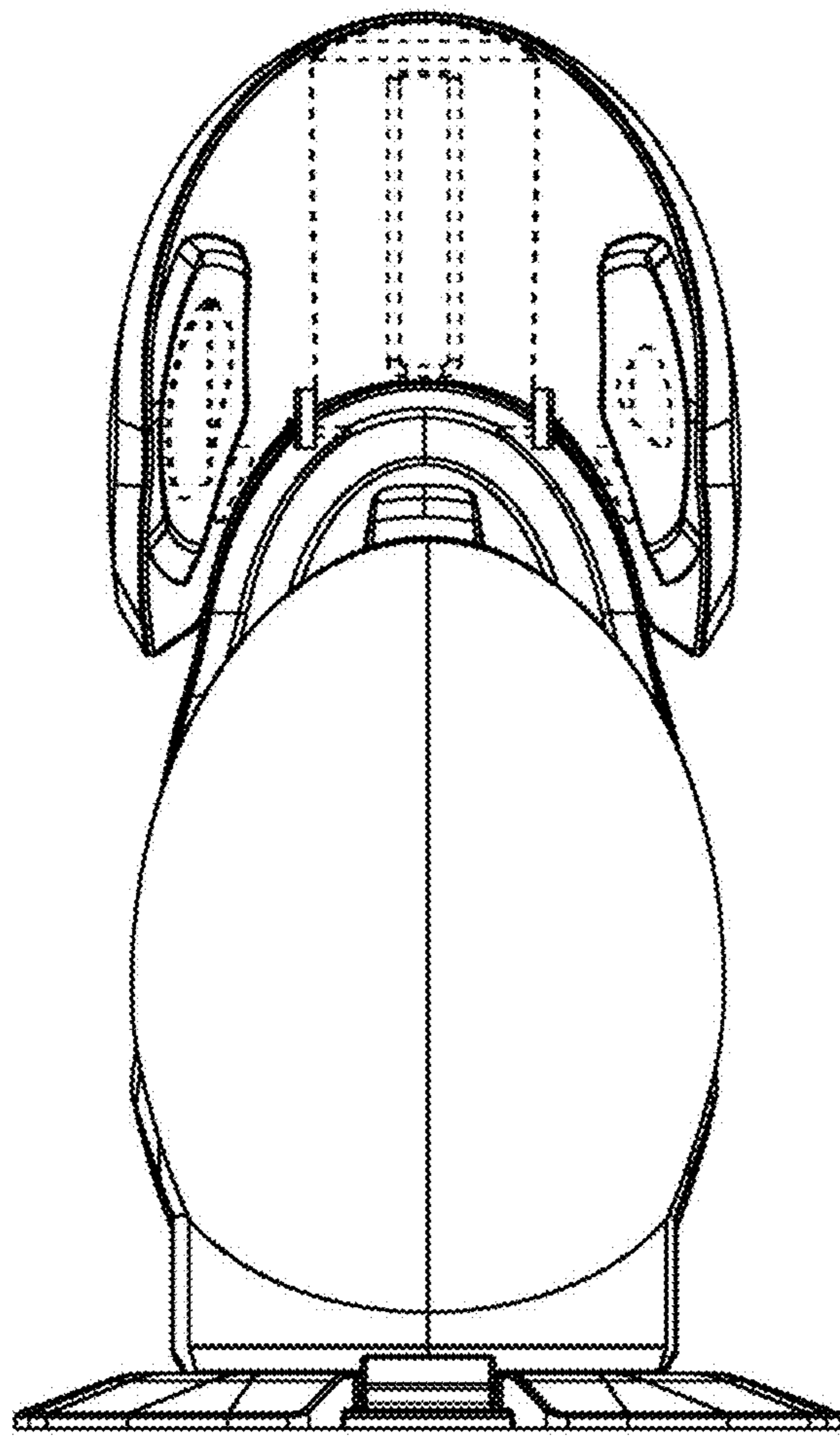


FIG. 8

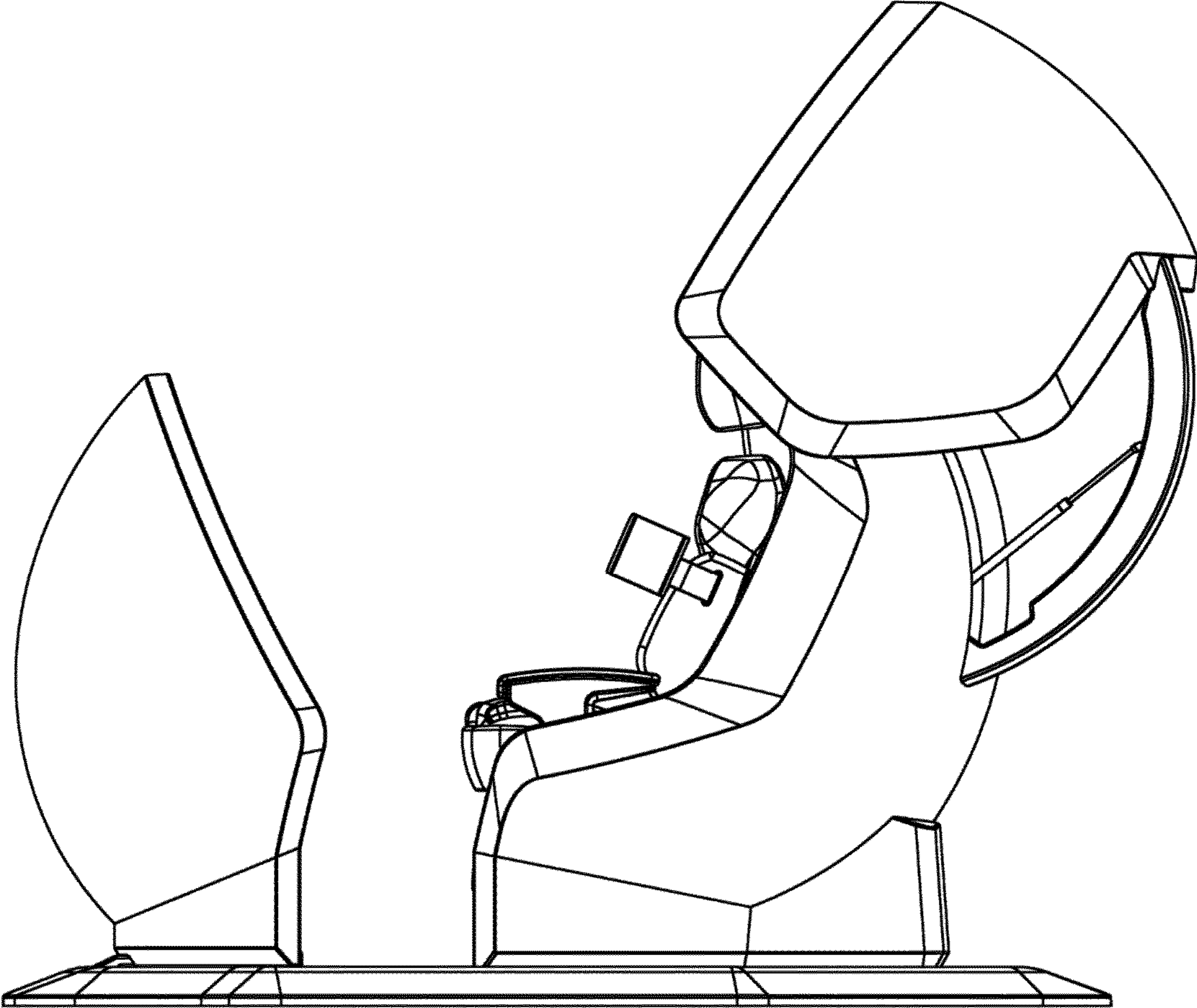
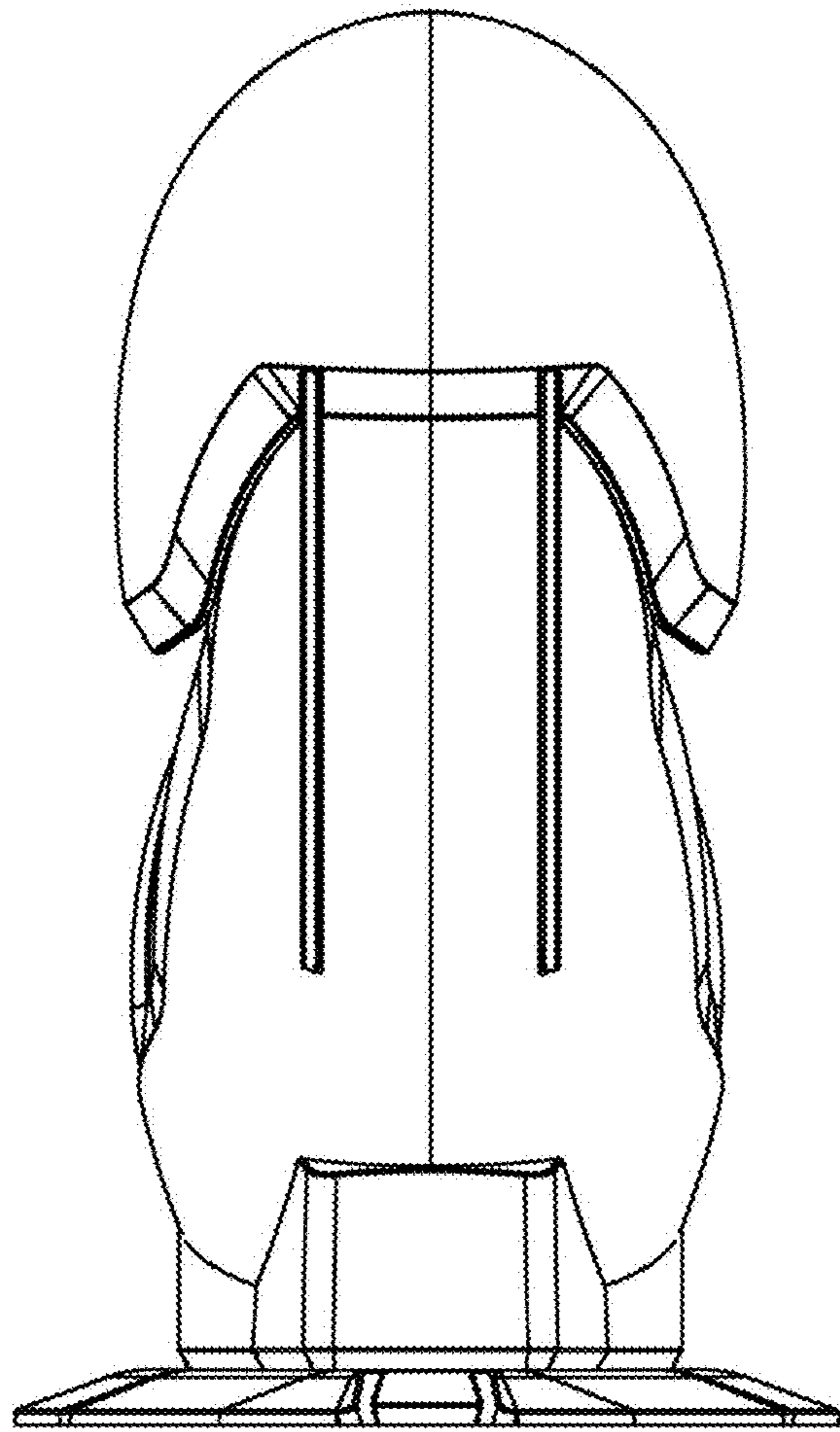
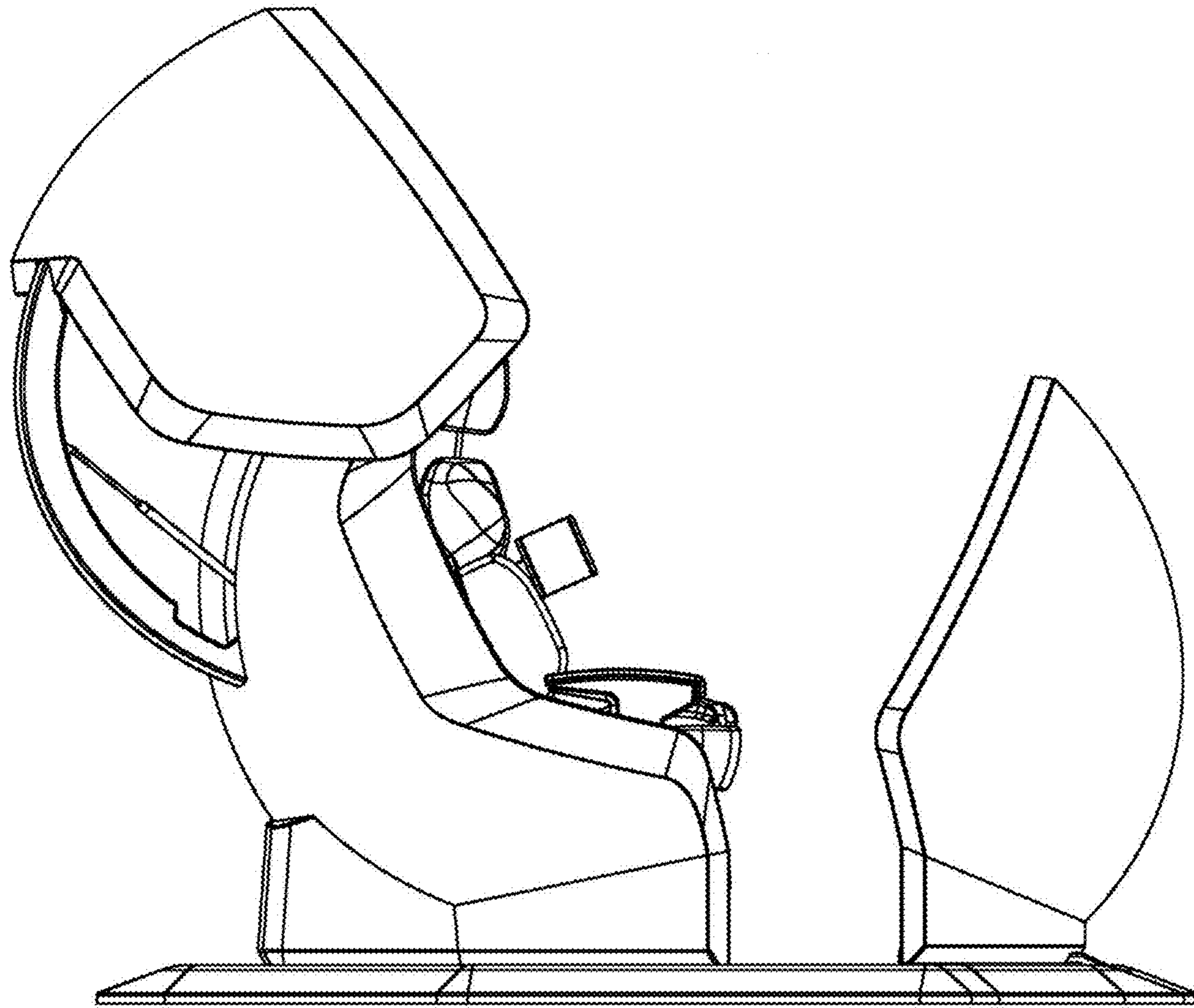


FIG. 9



**FIG. 10**



**FIG. 11**