



US00D945626S

(12) **United States Design Patent** (10) **Patent No.:** **US D945,626 S**  
**Waugh et al.** (45) **Date of Patent:** **\*\* Mar. 8, 2022**

(54) **MEDICATION DELIVERY CARTRIDGE**

(71) Applicant: **AceAge Inc.**, Burlington (CA)

(72) Inventors: **Donald Spencer Waugh**, Hamilton (CA); **Wesley van Ooyen**, Burlington (CA); **Dylan Horvath**, Toronto (CA); **Borys Chylinski**, Toronto (CA)

(73) Assignee: **AceAge Inc.**, Burlington (CA)

(\*\*) Term: **15 Years**

(21) Appl. No.: **29/717,593**

(22) Filed: **Dec. 18, 2019**

(51) **LOC (13) Cl.** ..... **24-02**

(52) **U.S. Cl.**  
USPC ..... **D24/185**

(58) **Field of Classification Search**  
USPC ..... D3/203.1, 203.2, 203.3; D6/332, 641, D6/642, 643, 643.1, 644, 645, 646, 647, D6/649, 650, 650.1, 655, 655.1, 655.11, D6/655.12, 655.13, 655.14, 655.15, D6/655.16, 655.17, 655.18, 655.19, 655.2, D6/655.21, 655.22, 655.23, 698, 700, D6/701, 553, 559, 561, 563; D10/40; D13/101, 112, 114, 118, 120, 121, 122; D14/300, 301, 302, 307, 313, 314; D15/199; D23/200, 202, 207, 209, 210, D23/499; D24/100, 133, 144, 158, 159, D24/160, 162, 163, 164, 170, 177, 183, D24/184, 185, 186, 187, 216, 217, 227, D24/228, 229, 230, 231, 232, 233, 234; D25/15; D34/12, 14  
CPC ..... A61B 17/00; A61B 2017/00013; A61B 2017/00199; A61B 2017/00212; A61B 17/00234; A61B 2017/00349; A61B 2017/00353; A61B 34/00; A61B 34/30; A61B 2034/301; A61B 2034/302; A61B 2034/303; A61B 2034/304; A61B 2034/305; A61B 2034/306; A61B 34/32; A61B 34/35; A61B 34/37; A61B 90/40; A61B 2090/401; A61B 50/00; A61B

50/10; A61B 2050/105; A61B 50/13; A61B 50/15; A61B 2050/185; A61B 50/20; A61B 2050/21; A61B 50/22; A61B 50/24; A61B 50/26; A61B 50/30; A61B 50/3001; A61B 2050/3004; A61B 2050/3005; A61B

(Continued)

(56) **References Cited**

U.S. PATENT DOCUMENTS

D427,315 S \* 6/2000 Saltzstein ..... D24/186  
D731,662 S \* 6/2015 Khan ..... D24/186

(Continued)

OTHER PUBLICATIONS

Youtube, "Karie: Medicine Made Simple", first available Apr. 11, 2017. (<https://www.youtube.com/watch?v=JlgT011LKSM>) (Year: 2017).\*

(Continued)

*Primary Examiner* — Lauren D McVey  
*Assistant Examiner* — Justin A Johnson  
(74) *Attorney, Agent, or Firm* — Stuart L. Wilkinson

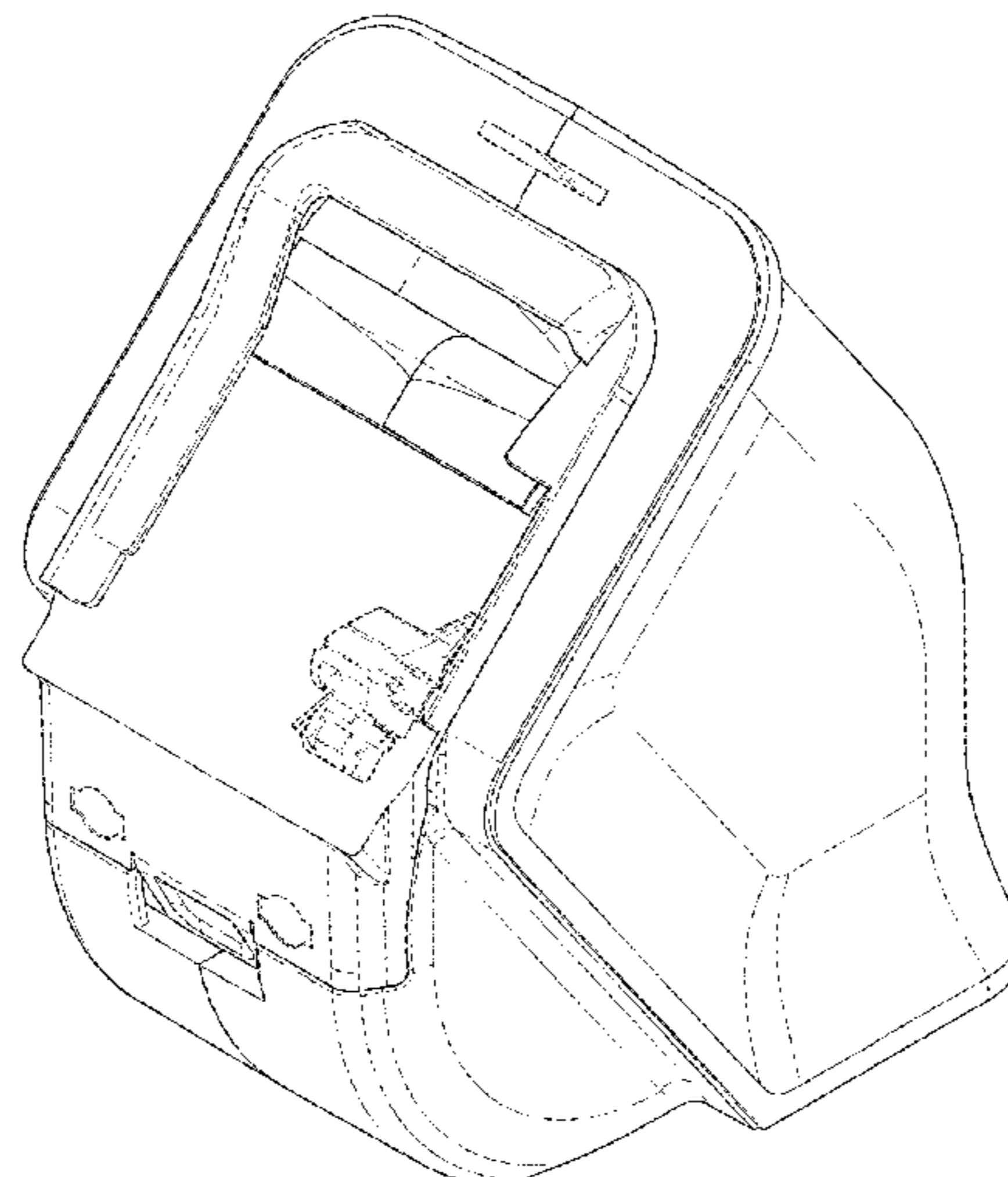
(57) **CLAIM**

The ornamental design for a medication delivery cartridge, as shown and described.

**DESCRIPTION**

FIG. 1 illustrates a perspective view of a medication delivery cartridge showing our new design.  
FIG. 2 illustrates a right side elevation view thereof.  
FIG. 3 illustrates a left side elevation view thereof.  
FIG. 4 illustrates a front elevation view thereof.  
FIG. 5 illustrates a rear elevation view thereof; and,  
FIG. 6 illustrates a top plan view thereof.  
The broken lines illustrating portions of the medication delivery cartridge form no part of the claimed design.

**1 Claim, 6 Drawing Sheets**



**(58) Field of Classification Search**

CPC ..... 2050/3006; A61B 2050/3007; A61B 2050/3008; A61B 2050/3009; A61B 2050/3011; A61B 34/20; A61B 50/33; A61B 50/34; A61B 5/0033; A61B 5/0035; A61B 5/0036; A61B 5/0037; A61B 5/004; A61B 5/0042; A61B 5/0044; A61G 12/00; A61G 12/001; A61G 12/002; A61G 12/004; A61G 12/005; A61G 12/007; A61G 12/008; A61J 7/00; A61J 7/0069; A61J 7/0076; A61J 7/0084; A61J 7/02; A61J 7/04; A61J 7/0409; A61J 7/0418; A61J 7/0427; A61J 7/0436; A61J 7/0445; A61J 7/0454; A61J 7/0463; A61J 7/0472; A61J 7/0481; A61J 7/049; A61J 7/03; A61J 2200/30; A61J 2205/10; B01L 3/502707; B01L 3/5027; B62B 3/00; B62B 3/002; B62B 3/02; B62B 5/06; B62B 5/061; B62B 5/064; B62B 5/065; B62B 5/066; B62B 5/067; B65D 83/04; B65D 83/0409; B65D 83/0418; B65D 83/0427; B65D 83/0436; B65D 83/0445; B65D 83/0454; B65D 83/0463; B65D 83/0472; B65D 83/0481; B65D 83/049; G02F 1/00; G02F 1/01; G09G 3/00; G09G 3/006; G09G 3/34; G09G 3/3406; G09G 3/3413; G09G 3/342; G09G 3/3426; G16H 20/00; G16H 20/10; G16H 20/13; G16H 20/17; G16H 20/30; G16H 20/40; G16H 20/60; G16H 20/70; G16H 20/90; G16H 40/00; G16H 40/60; Y10T 137/00

See application file for complete search history.

**(56)**

**References Cited**

U.S. PATENT DOCUMENTS

D773,175 S \* 12/2016 Fagen ..... D3/203.1  
 D782,466 S \* 3/2017 Yepez ..... D14/307  
 D800,320 S \* 10/2017 Nishikawa ..... D24/186  
 D812,462 S \* 3/2018 Xu ..... D9/420  
 D871,604 S \* 12/2019 Rein ..... G07F 11/54  
 D24/216  
 D872,072 S \* 1/2020 Anderson ..... A61J 7/0084  
 D14/253  
 D895,841 S \* 9/2020 Mathers ..... G06F 3/041  
 D24/232  
 D904,007 S \* 12/2020 Lavin ..... D3/203.1  
 2012/0259456 A1 \* 10/2012 Saltsov ..... A61J 7/0084  
 700/236  
 2016/0063953 A1 \* 3/2016 Sasaki ..... G06F 3/041  
 345/212  
 2018/0104153 A1 \* 4/2018 Wang ..... G07F 11/54

OTHER PUBLICATIONS

Youtube, "Introducing the RxPense", first available Jul. 31, 2018. ([https://www.youtube.com/watch?v=757RBGysKro&feature=emb\\_title](https://www.youtube.com/watch?v=757RBGysKro&feature=emb_title)) (Year: 2018).\*

Youtube, "Spencer—Medication Dispenser", first available Jan. 2, 2018. ([https://www.youtube.com/watch?v=ogzM3w\\_FPWk](https://www.youtube.com/watch?v=ogzM3w_FPWk)) (Year: 2018).\*

Twitter, "OCInnovation", first available Jun. 1, 2018. (<https://twitter.com/OCInnovation/status/1002535529387307008>) (Year: 2018).\*

Twitter, "RB33 Ron Beleno", first available Jun. 14, 2018. (<https://twitter.com/rb33canada/status/1007381697267027968>) (Year: 2018).\*

\* cited by examiner

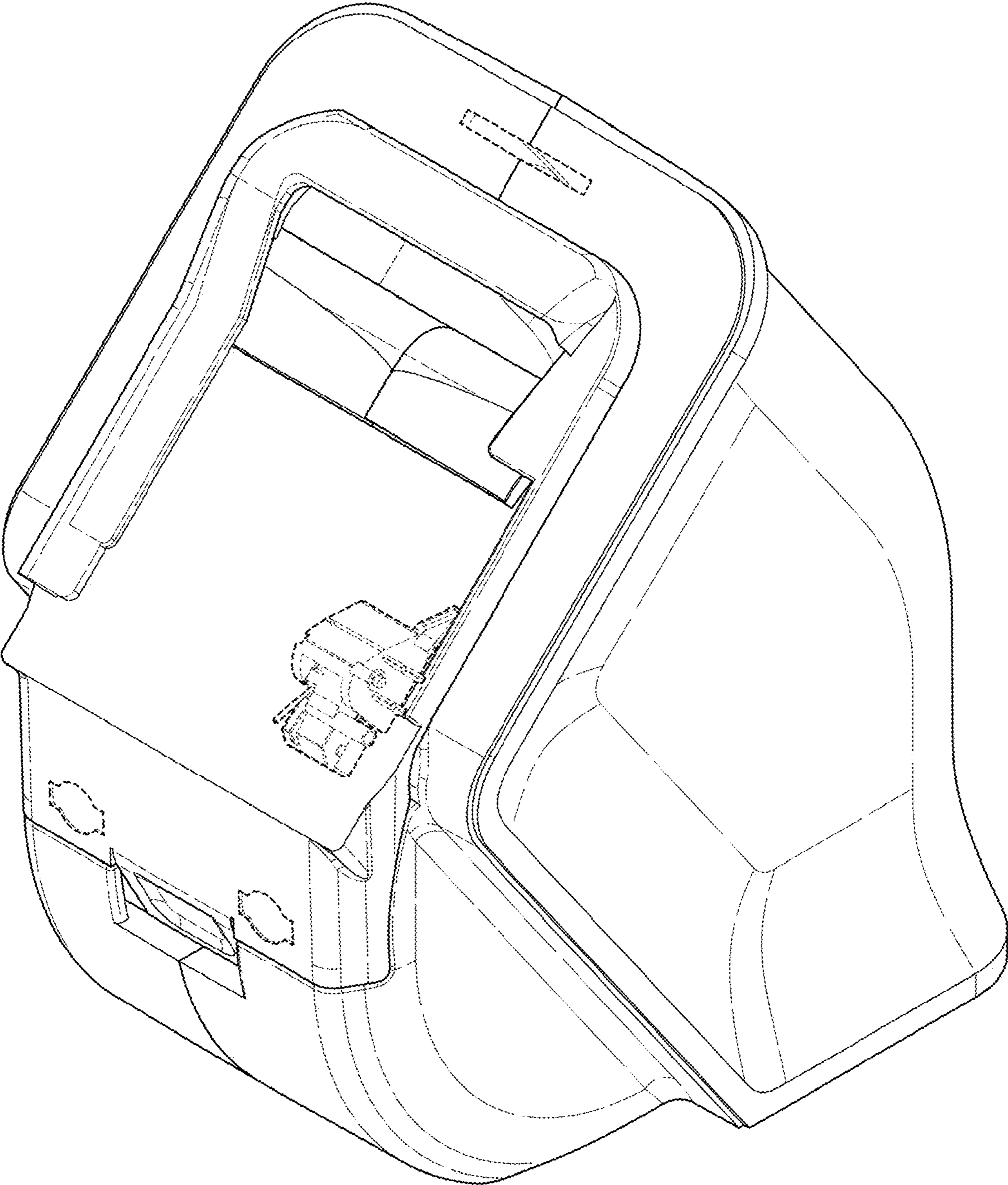


FIG. 1

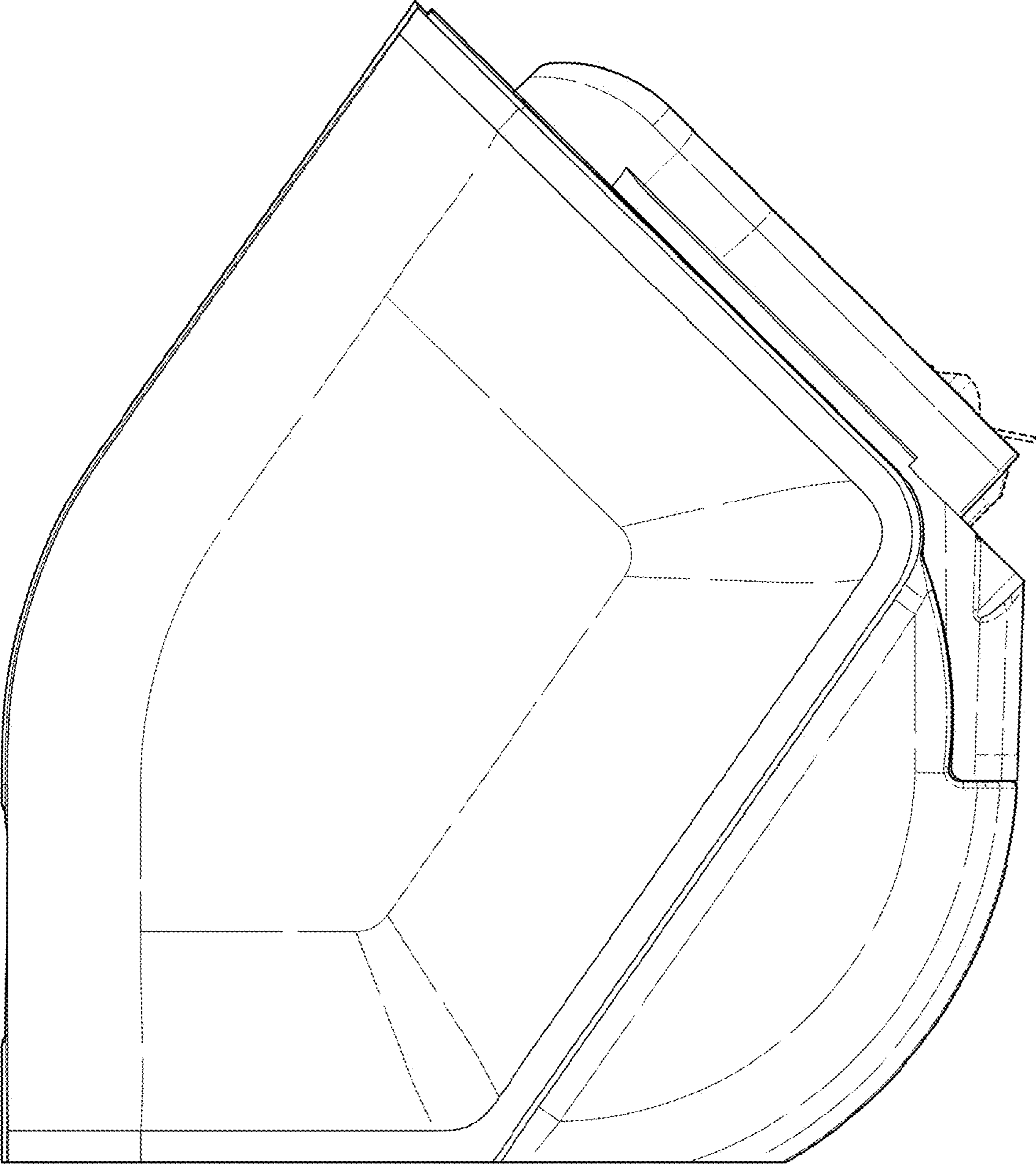


FIG. 2

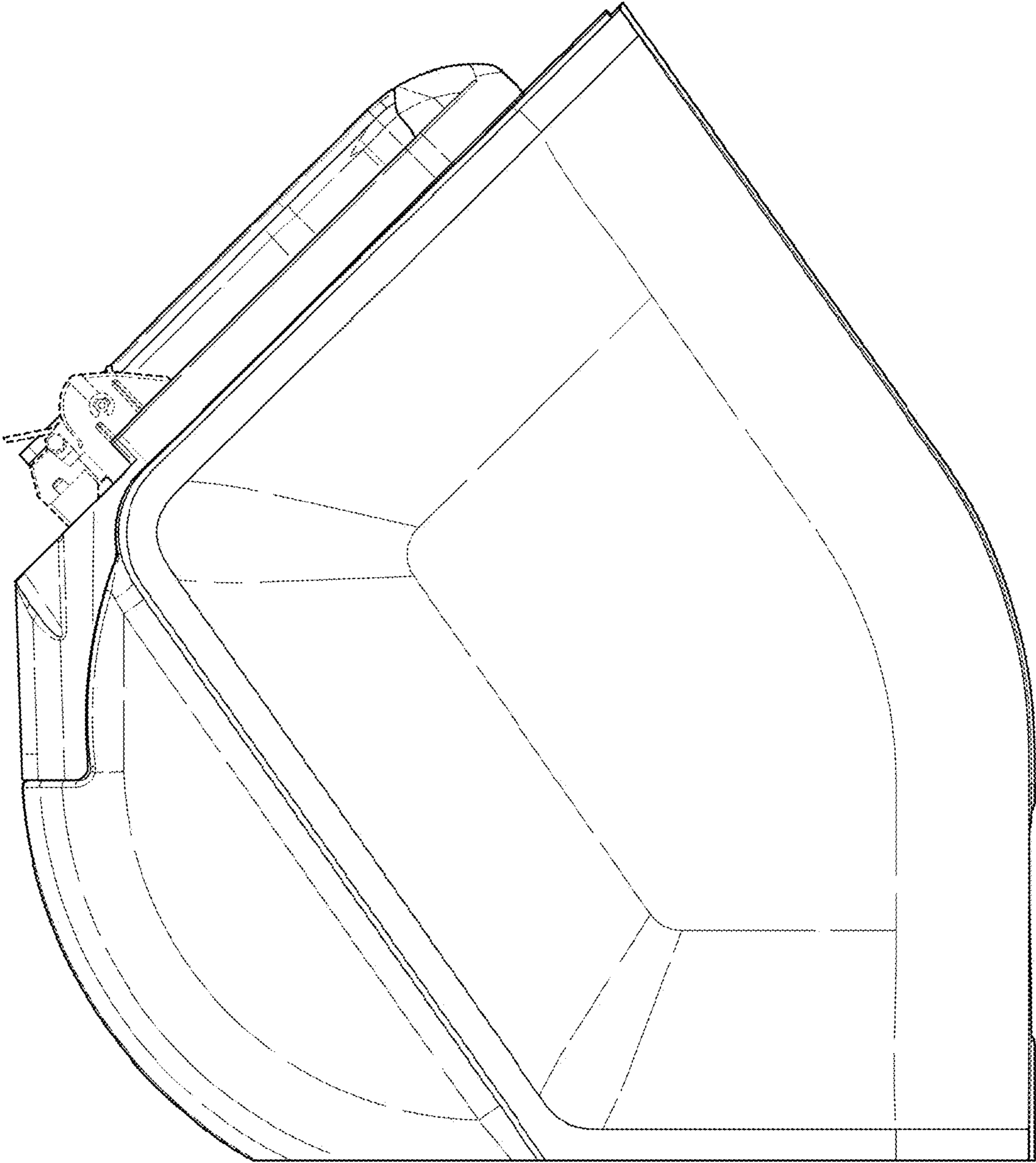


FIG. 3

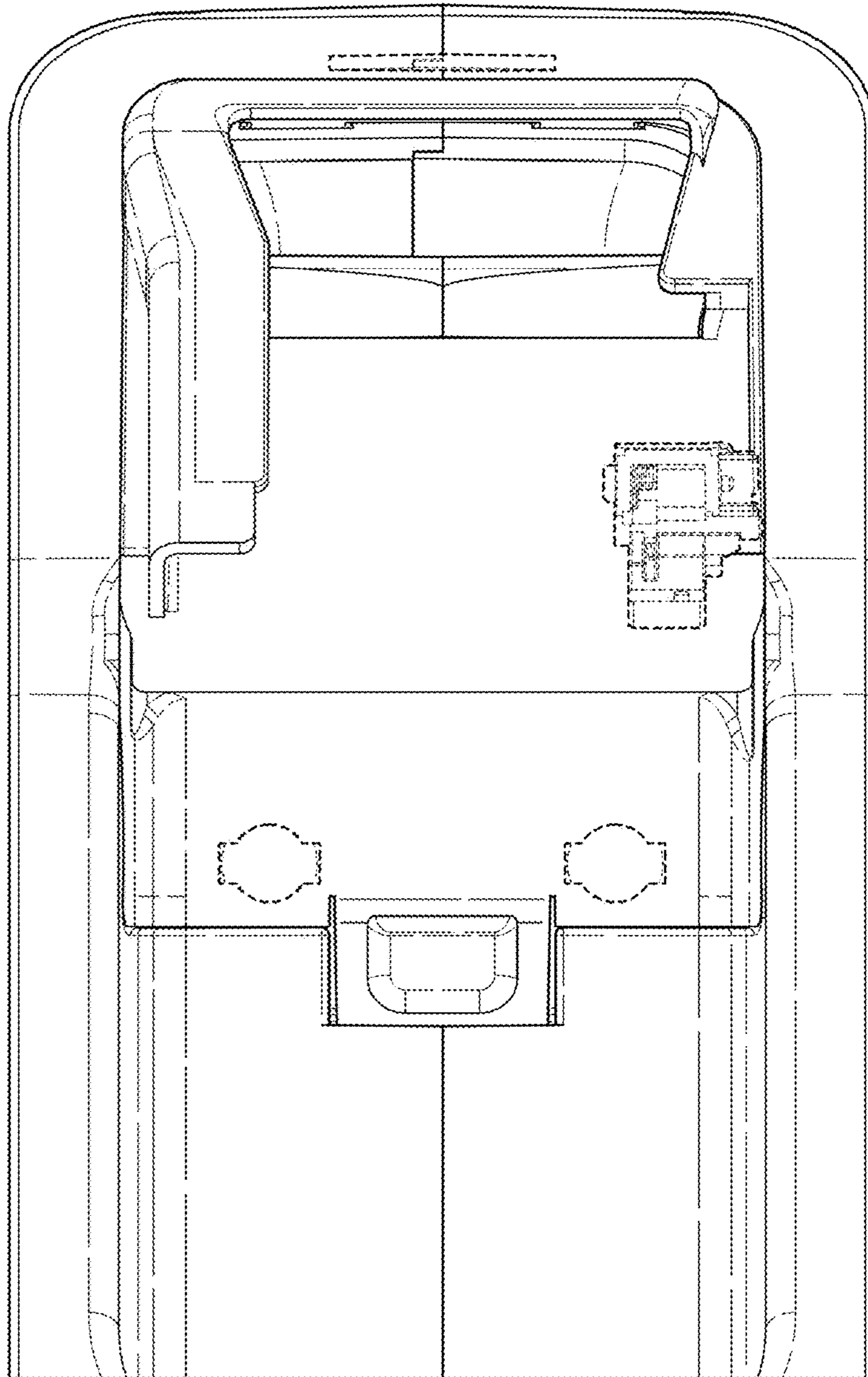


FIG. 4

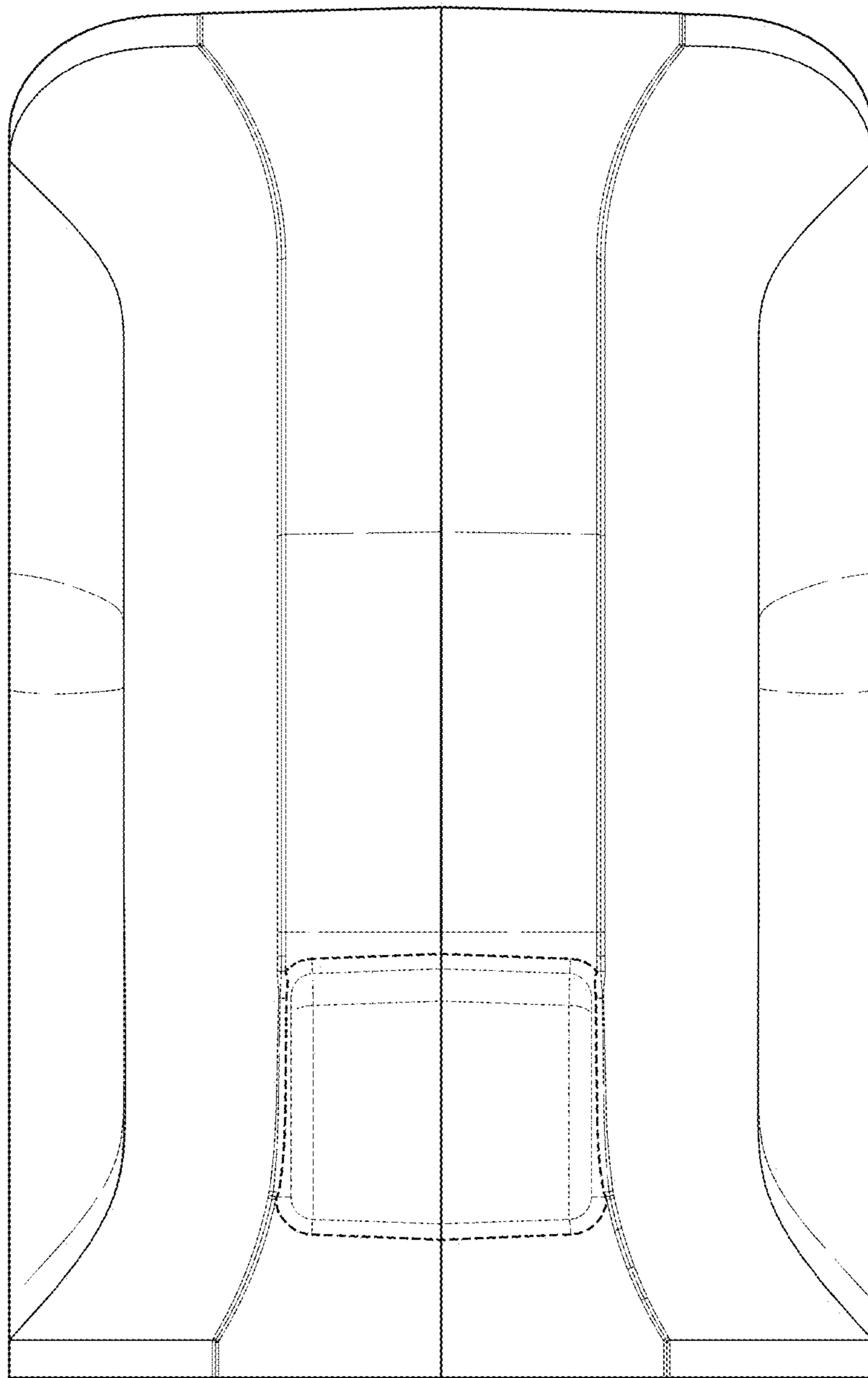


FIG. 5

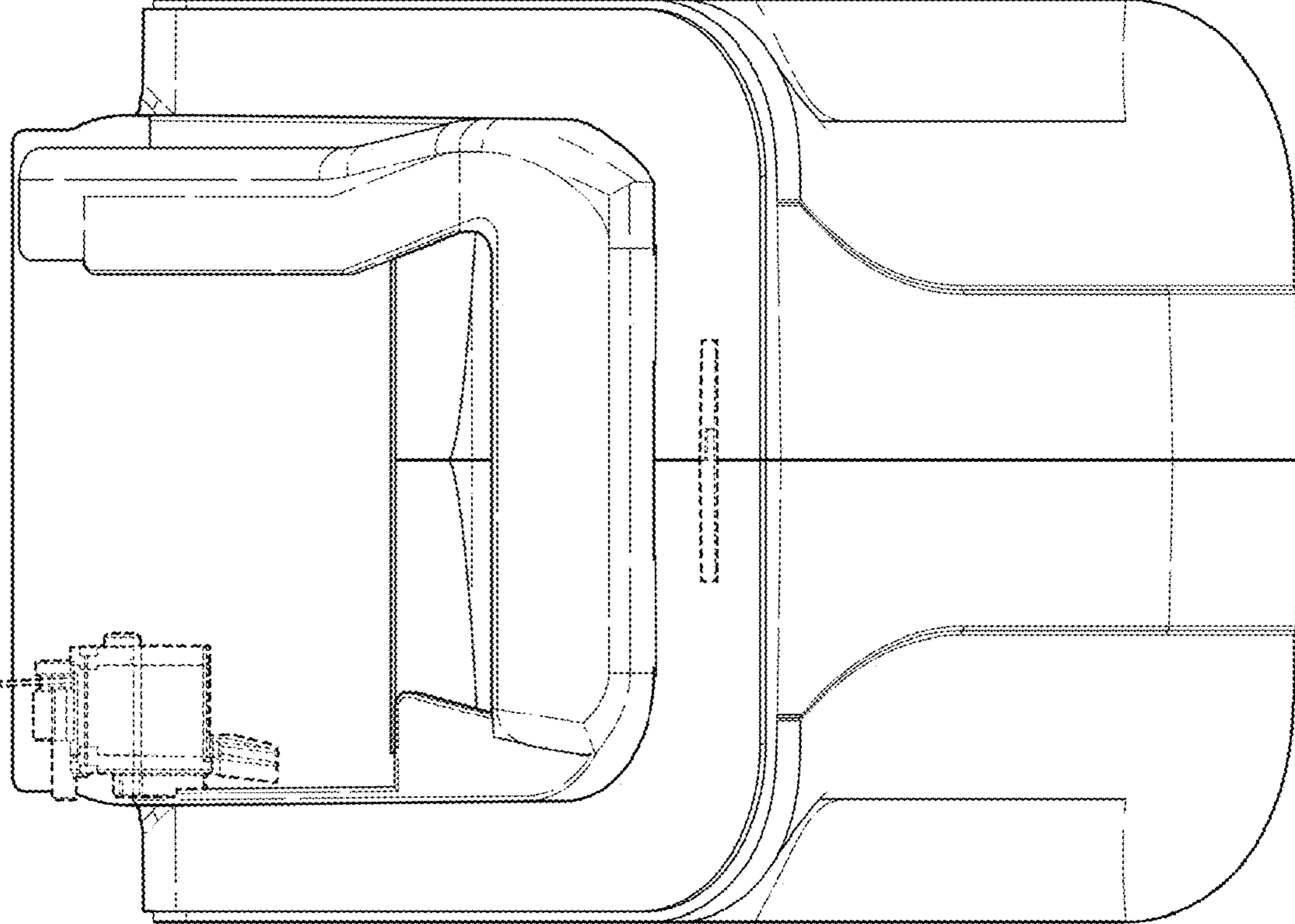


FIG. 6