



US00D945625S

(12) **United States Design Patent**
Haraden

(10) **Patent No.:** **US D945,625 S**

(45) **Date of Patent:** **** Mar. 8, 2022**

(54) **MATRIX BAND RING ASSEMBLY FOR DENTAL SURGERY**

(71) Applicant: **PINKBAND DENTAL SOLUTIONS, INC.**, Woodstock, IL (US)

(72) Inventor: **Robert E. Haraden**, Woodstock, IL (US)

(73) Assignee: **PINKBAND DENTAL SOLUTIONS, INC.**, Woodstock, IL (US)

(**) Term: **15 Years**

(21) Appl. No.: **29/707,680**

(22) Filed: **Sep. 30, 2019**

(51) **LOC (13) Cl.** **24-02**

(52) **U.S. Cl.**
USPC **D24/181**

(58) **Field of Classification Search**
USPC D24/180-182, 110, 110.5, 176; D29/108;
D8/394, 395

(Continued)

(56) **References Cited**

U.S. PATENT DOCUMENTS

5,425,635 A 6/1995 Croll
5,730,592 A 3/1998 Meyer

(Continued)

FOREIGN PATENT DOCUMENTS

EP 2257237 B1 4/2014
JP D1641373 * 8/2019

OTHER PUBLICATIONS

“Composi-Tight 3D Fusion Instructional video” by GarrisonDental. Youtube. Posting date: Mar. 31, 2017. Retrieval date: Jan. 26, 2021. Retrieved from internet: <https://www.youtube.com/watch?v=K4UlreqUW0w> (Year: 2017).*

(Continued)

Primary Examiner — Lilyana Bekic

Assistant Examiner — Lee D. Starr

(74) *Attorney, Agent, or Firm* — Marshall, Gerstein & Borun LLP

(57) **CLAIM**

The ornamental design for a matrix band ring assembly for dental surgery, as shown and described.

DESCRIPTION

FIG. 1 is a front perspective view of a matrix band ring assembly for dental surgery according to the first embodiment of the new design;

FIG. 2 is a front, bottom perspective view thereof;

FIG. 3 is a rear, bottom perspective view thereof;

FIG. 4 is a top plan view thereof;

FIG. 5 is a bottom plan view thereof;

FIG. 6 is a left side view thereof;

FIG. 7 is a right side view thereof;

FIG. 8 is a cross-sectional view taken along the line 8-8 of FIG. 5;

FIG. 9 is a front, top perspective view of a matrix band ring assembly for dental surgery according to a second embodiment of the new design;

FIG. 10 is a front, bottom perspective view thereof;

FIG. 11 is a rear, bottom perspective view thereof;

FIG. 12 is a top plan view thereof;

FIG. 13 is a bottom plan view thereof;

FIG. 14 is a left side view thereof;

FIG. 15 is a right side view thereof;

FIG. 16 is a cross-sectional view taken along the line 16-16 of FIG. 13;

FIG. 17 is a front perspective view of a matrix band ring assembly for dental surgery according to a third embodiment of the new design;

FIG. 18 is a front, bottom perspective view thereof;

FIG. 19 is a rear, bottom perspective view thereof;

FIG. 20 is a top plan view thereof;

FIG. 21 is a bottom plan view thereof;

FIG. 22 is a left side view thereof;

FIG. 23 is a right side view thereof;

FIG. 24 is a cross-sectional view taken along the line 24-24 of FIG. 21;

(Continued)

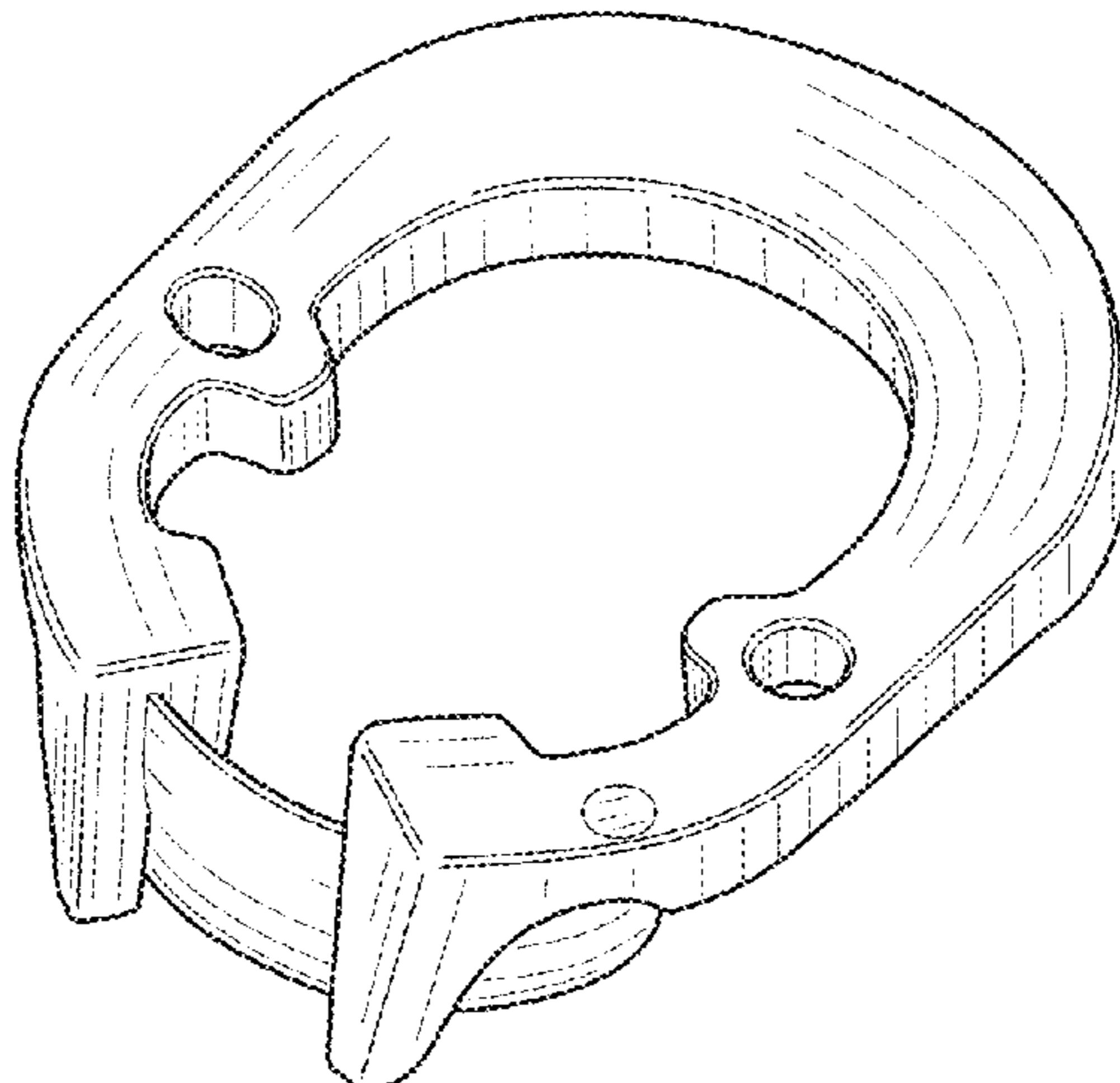


FIG. 25 is a front perspective view of a matrix band ring assembly for dental surgery according to a fourth embodiment of the new design;

FIG. 26 is a front, bottom perspective view thereof;

FIG. 27 is a rear, bottom perspective view thereof;

FIG. 28 is a top plan view thereof;

FIG. 29 is a bottom plan view thereof;

FIG. 30 is a left side view thereof;

FIG. 31 is a right side view thereof; and,

FIG. 32 is a cross-sectional view taken along the line 32-32 of FIG. 29.

The dash-dash broken lines in the drawings illustrate portions of the matrix band ring assembly for dental surgery and form no part of the claimed design. The dash-dot broken lines in FIG. 32 define the bounds of the claimed design and form no part thereof.

1 Claim, 23 Drawing Sheets

(58) **Field of Classification Search**

CPC A61C 5/00; A61C 5/30; A61C 5/35; A61C 5/80; A61C 5/82; A61C 5/85; A61C 5/88

See application file for complete search history.

(56)

References Cited

U.S. PATENT DOCUMENTS

6,074,210	A	6/2000	Garrison	
6,142,778	A	11/2000	Summer	
6,234,793	B1	5/2001	Brattesani et al.	
6,325,625	B1	12/2001	Meyer	
6,350,122	B1	2/2002	Meyer	
6,749,429	B1	6/2004	Haraden et al.	
7,175,432	B2	2/2007	McDonald	
D595,414	S	6/2009	McDonald	
D599,020	S	8/2009	McDonald	
D599,021	S	8/2009	McDonald	
D599,022	S	8/2009	McDonald	
D604,854	S *	11/2009	McDonald	D24/181
D605,298	S	12/2009	McDonald	
D690,423	S	9/2013	Pieroni et al.	
D698,924	S	2/2014	Pieroni et al.	
8,899,979	B2	12/2014	Anderson et al.	
9,173,720	B2	11/2015	McDonald	
D747,809	S *	1/2016	Anderson	D24/181

D756,522	S	5/2016	Anderson et al.	
D763,449	S *	8/2016	Andersen	D24/181
D770,050	S *	10/2016	Anderson	D24/181
D773,053	S *	11/2016	Garrison	D24/181
9,517,110	B2	12/2016	McDonald	
9,629,692	B2	4/2017	McDonald	
RE46,553	E	9/2017	McDonald	
D808,020	S *	1/2018	Andersen	D24/181
9,877,802	B2	1/2018	McDonald	
9,883,922	B2	2/2018	McDonald	
D822,213	S *	7/2018	Hull	D24/181
D823,473	S *	7/2018	Frymark	D24/181
D838,856	S *	1/2019	Frymark	D24/181
D854,401	S *	7/2019	Adelman	D8/356
10,441,394	B2	10/2019	McDonald	
D902,410	S *	11/2020	Hemmert	D24/181
2004/0265779	A1 *	12/2004	McDonald	A61C 5/88 433/155
2005/0118554	A1 *	6/2005	Kilcher	A61C 5/80 433/141
2005/0147941	A1 *	7/2005	McDonald	A61C 5/85 433/153
2007/0172793	A1 *	7/2007	Doenges	A61C 5/85 433/139
2007/0254263	A1	11/2007	McDonald	
2008/0090205	A1 *	4/2008	Kilcher	A61C 5/82 433/139
2011/0311945	A1 *	12/2011	Bertolotti	A61C 5/85 433/139
2013/0252198	A1 *	9/2013	Boos	A61C 5/85 433/39
2013/0252199	A1 *	9/2013	Clark	A61C 5/85 433/39
2013/0344455	A1 *	12/2013	Hull	A61C 5/88 433/29
2014/0242544	A1 *	8/2014	Anderson	A61C 5/82 433/136
2015/0216625	A1 *	8/2015	McDonald	A61C 5/85 433/155
2017/0231720	A1	8/2017	McDonald	
2018/0263728	A1 *	9/2018	Frymark	A61C 5/85

OTHER PUBLICATIONS

“Using the Triodent V3 System” by Ultradent Products, Inc. Youtube. Posting date: Apr. 3, 2012. Retrieval date: Jan. 26, 2021. Retrieved from internet: <https://www.youtube.com/watch?v=EujJwCvcPQk> (Year: 2012).*

* cited by examiner

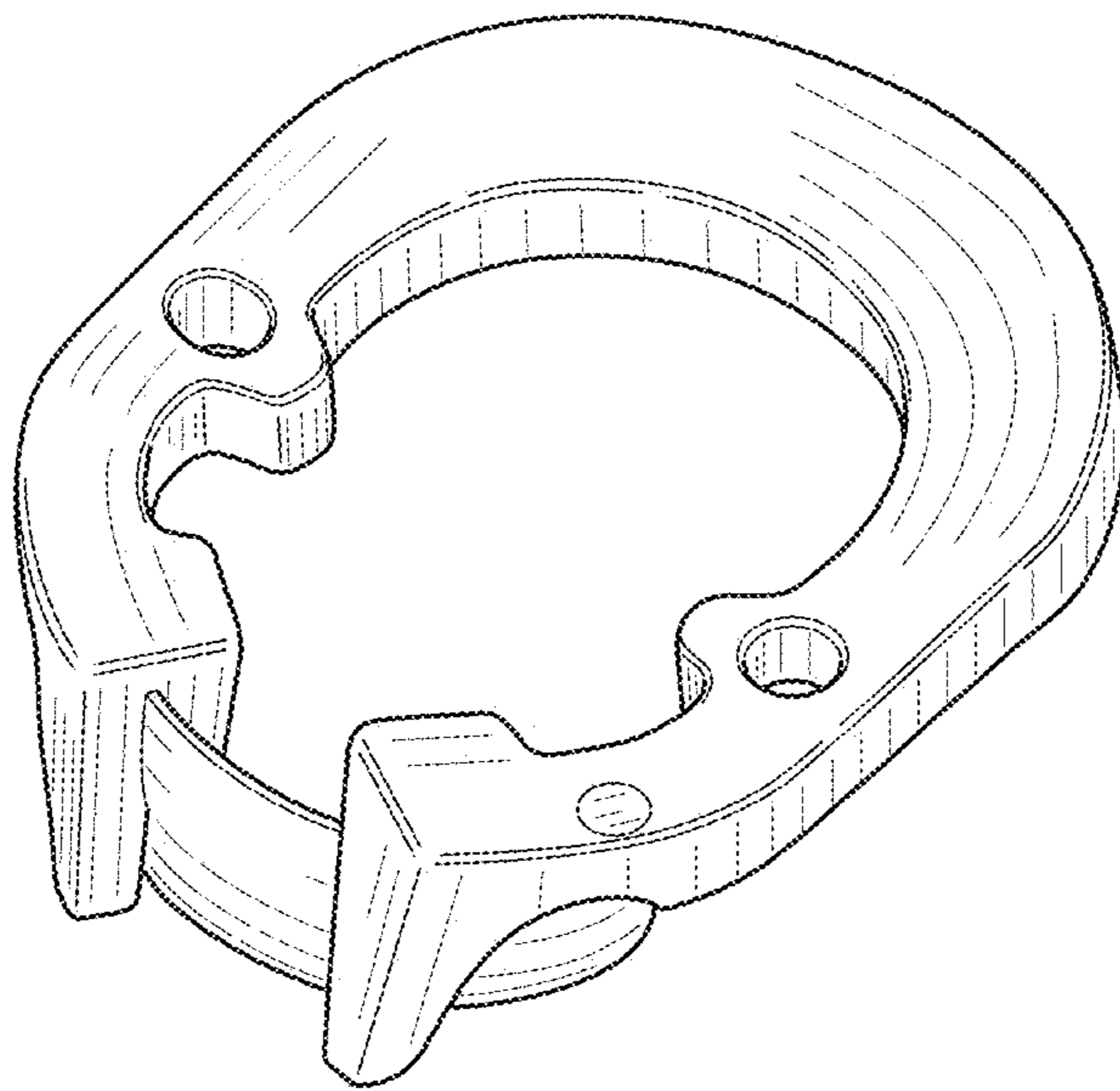


FIG. 1

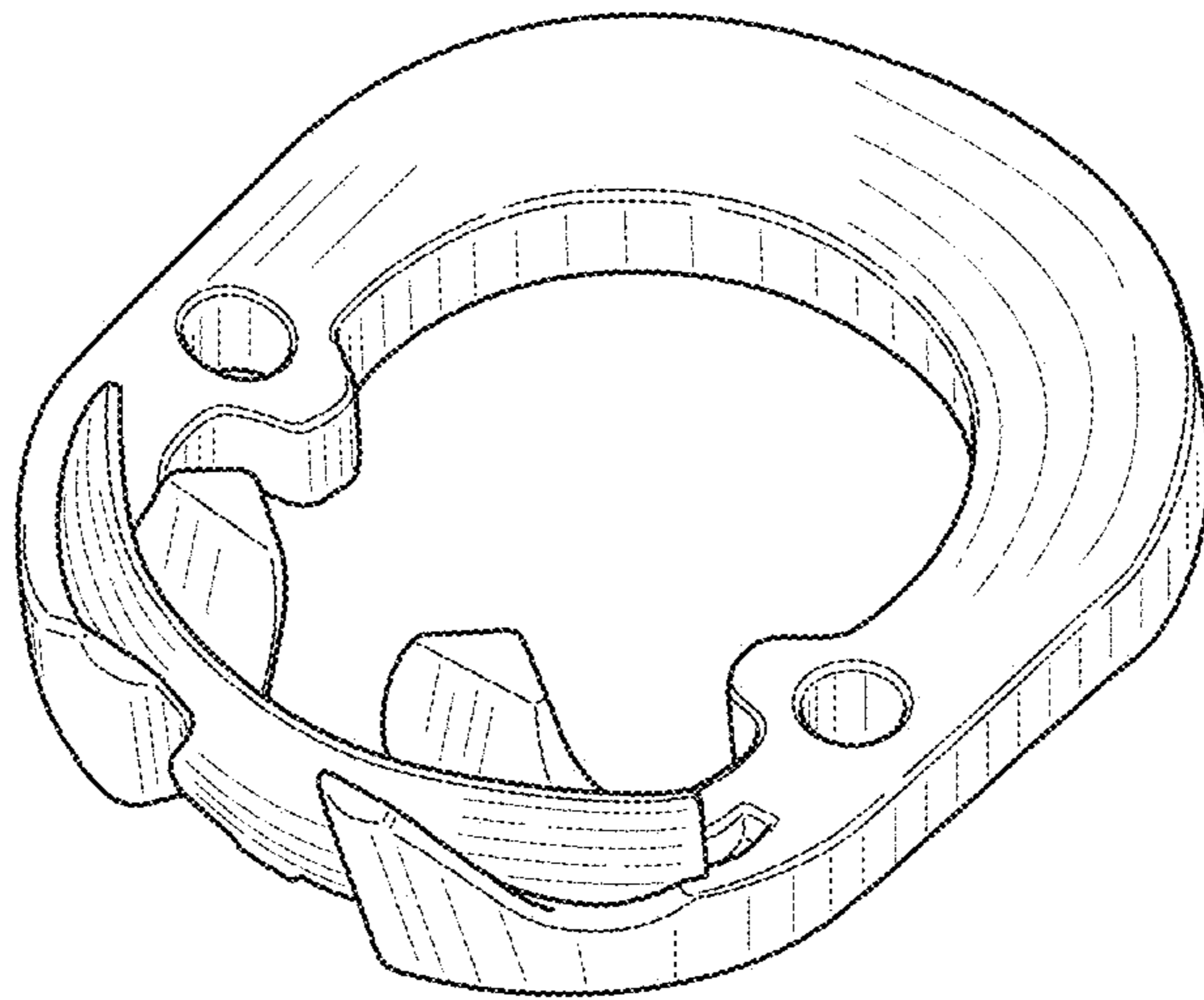


FIG. 2

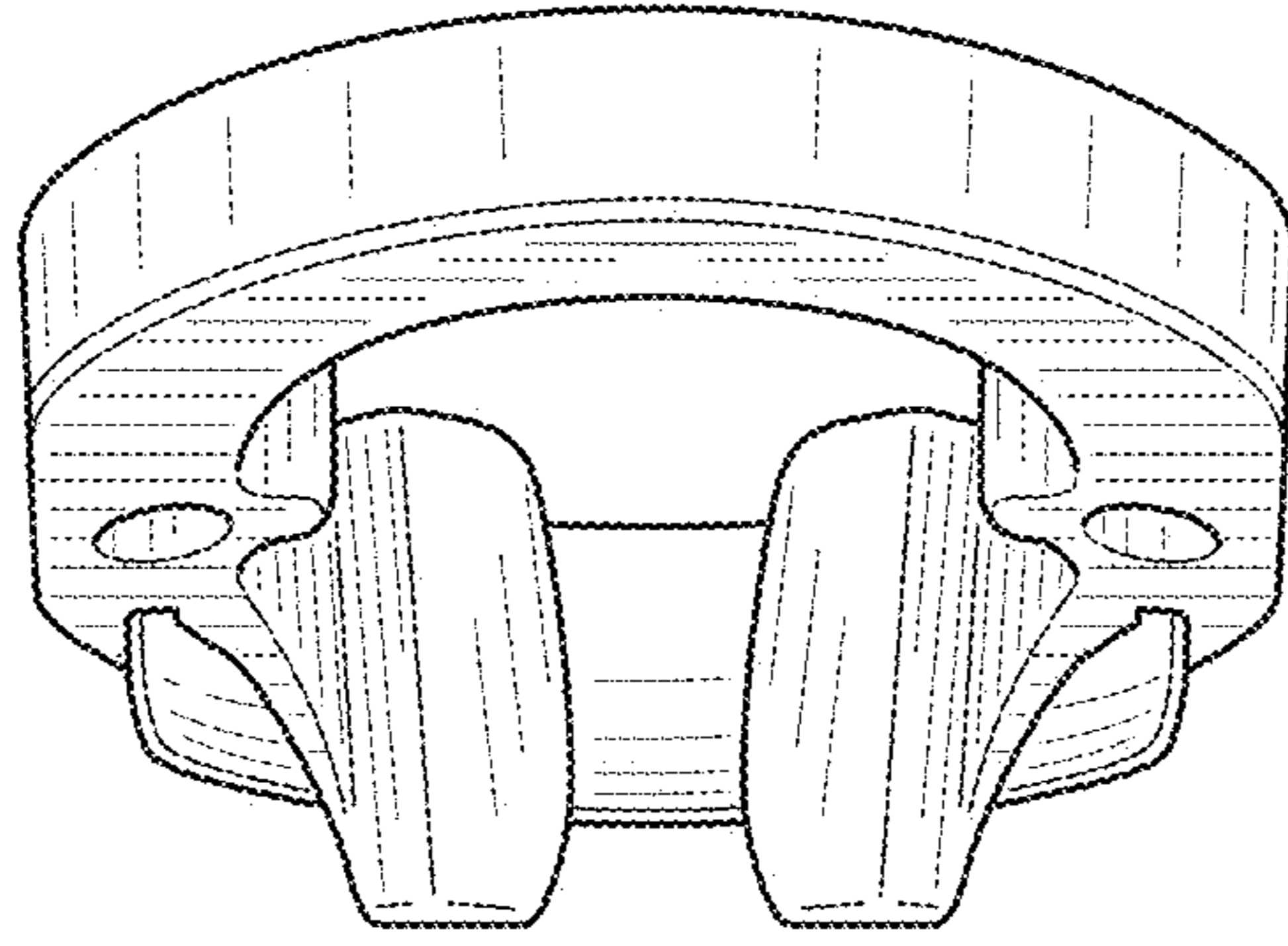


FIG. 3

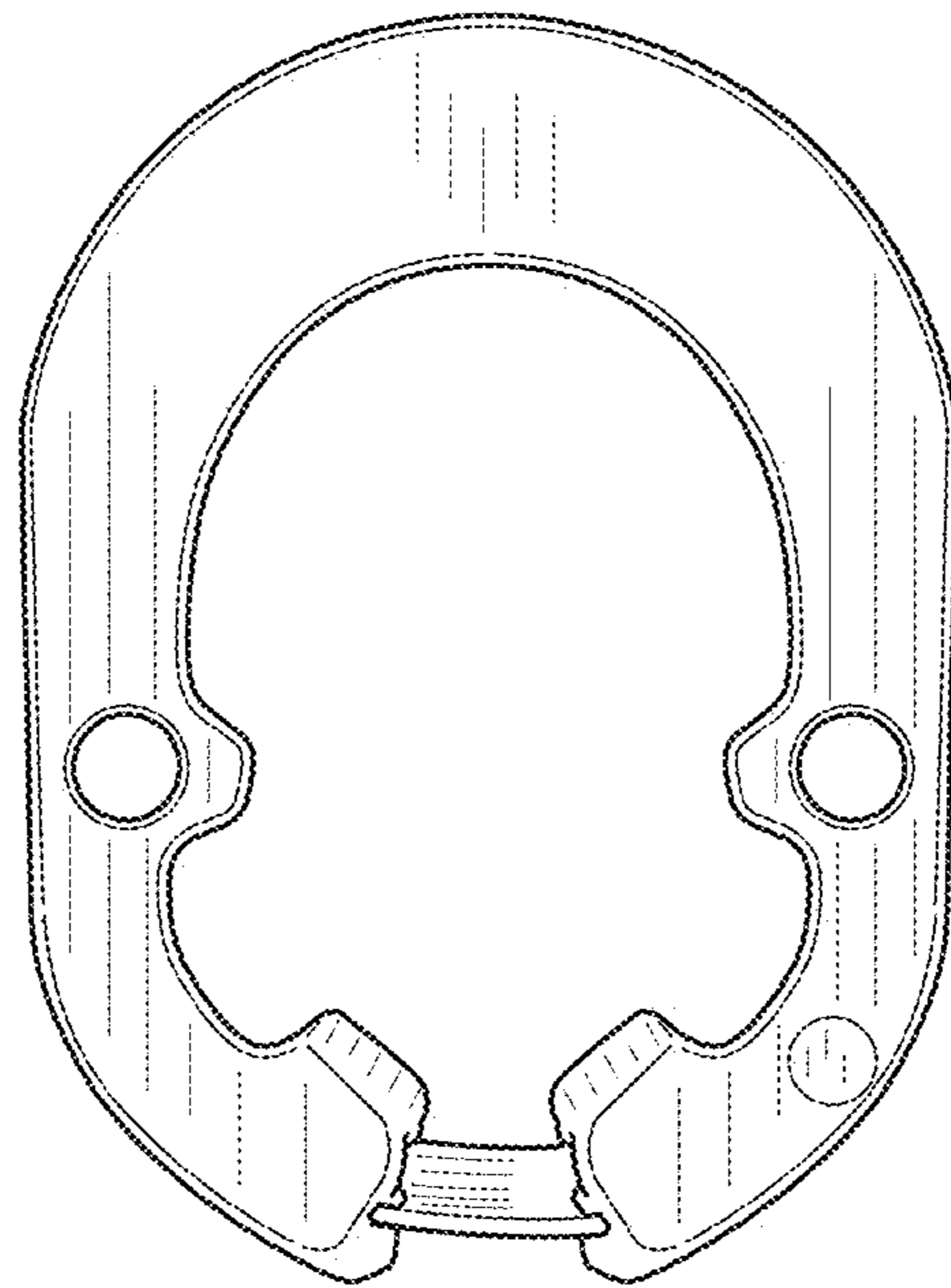


FIG. 4

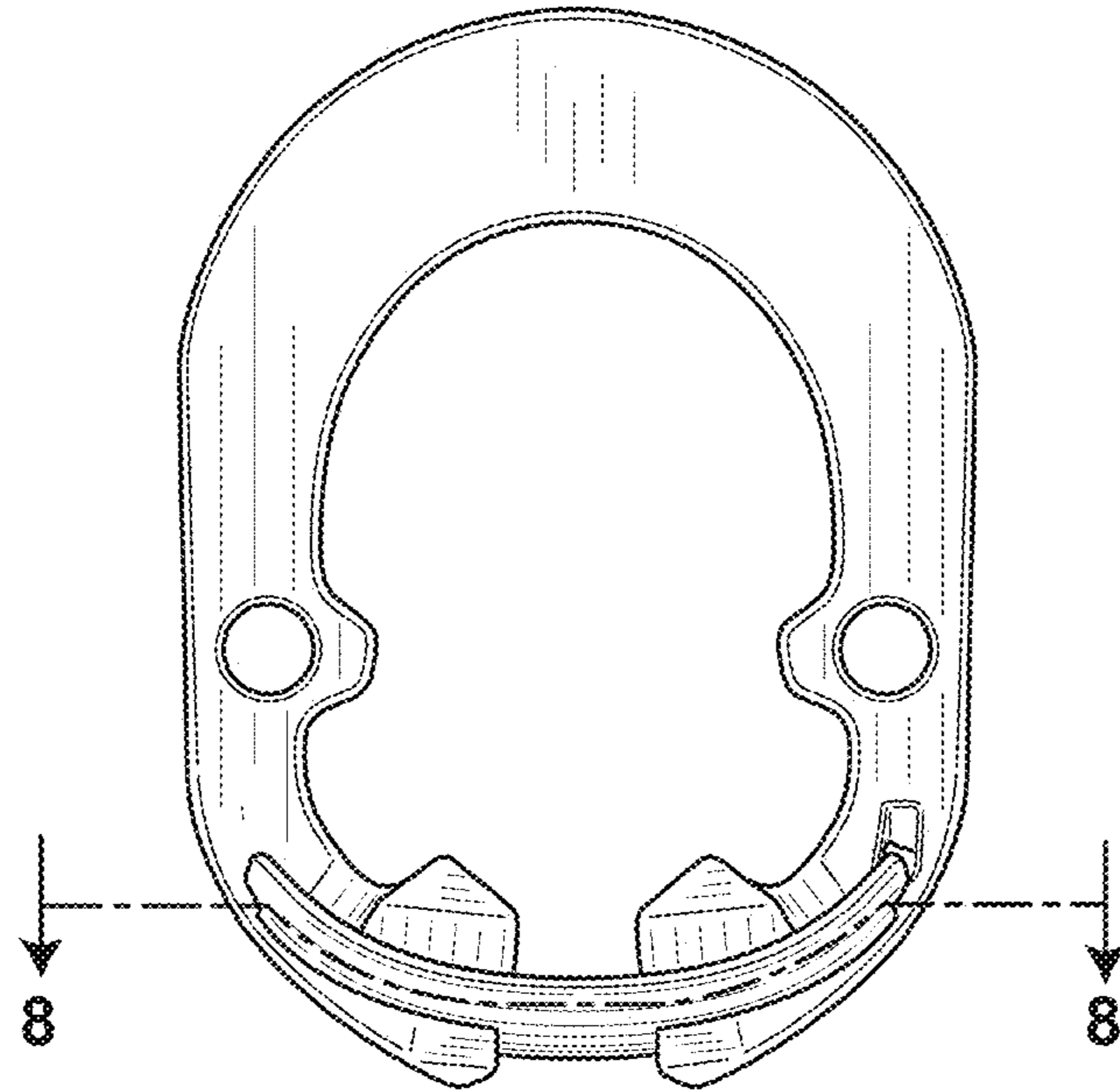


FIG. 5

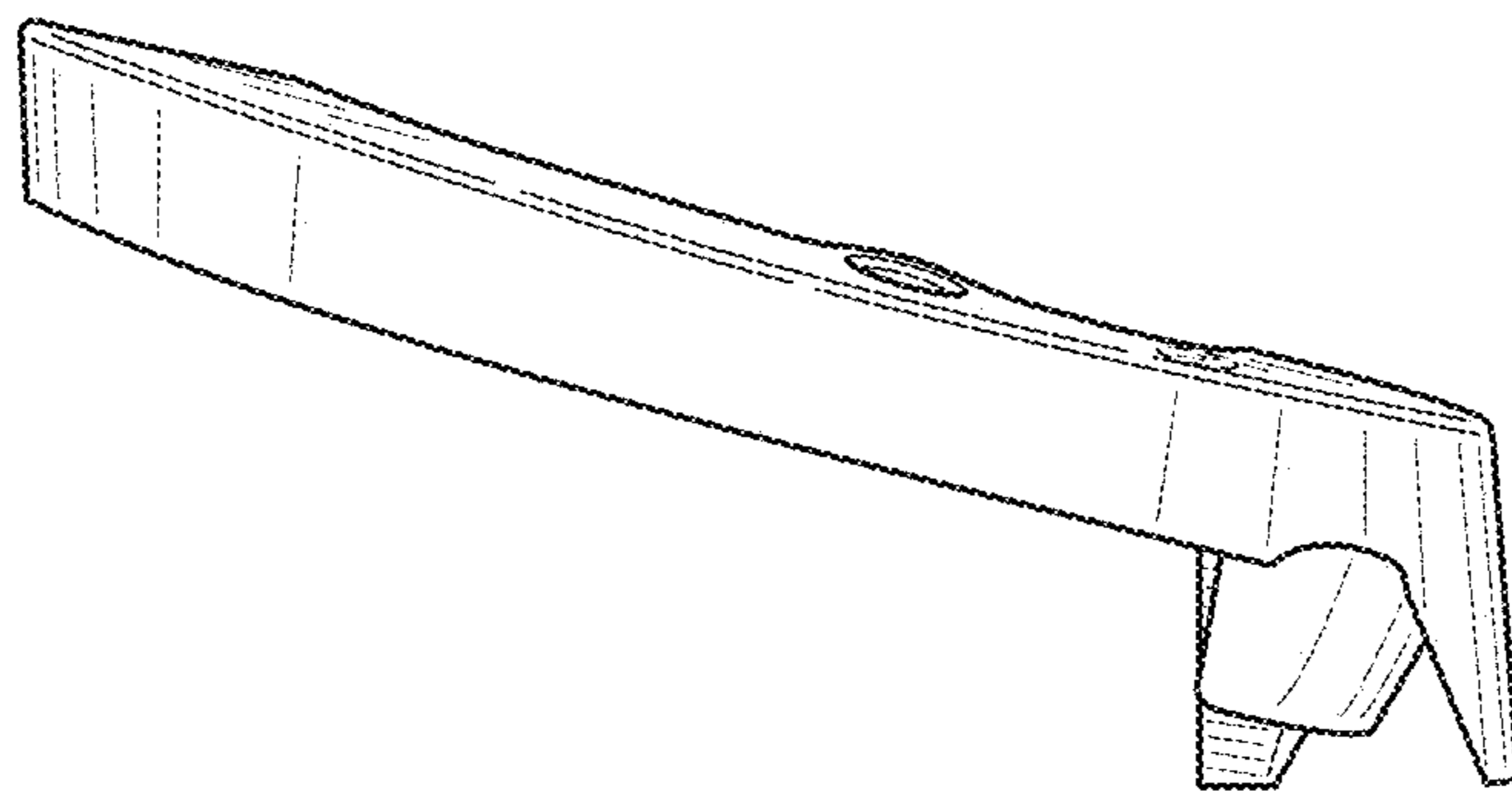


FIG. 6

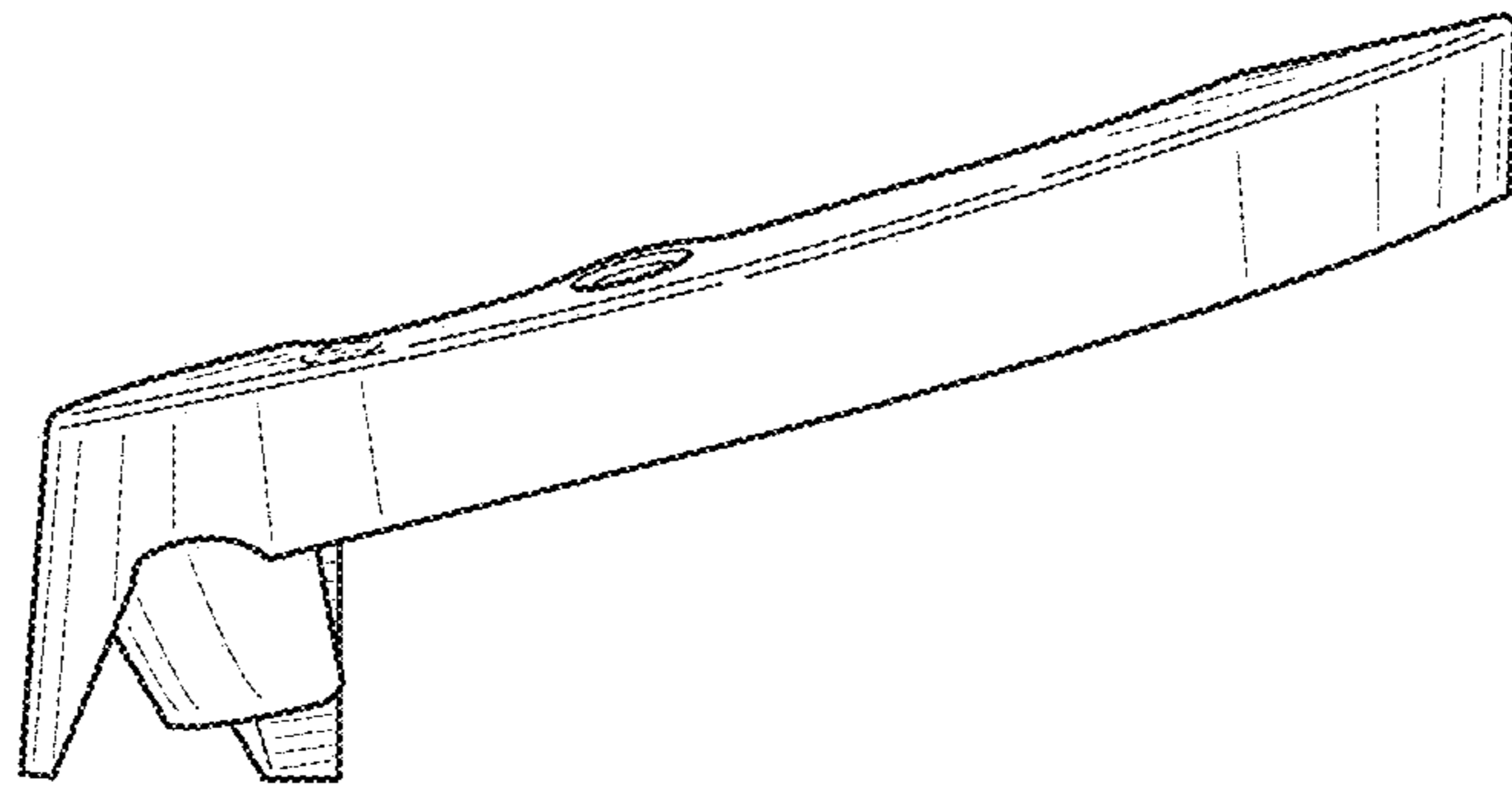


FIG. 7

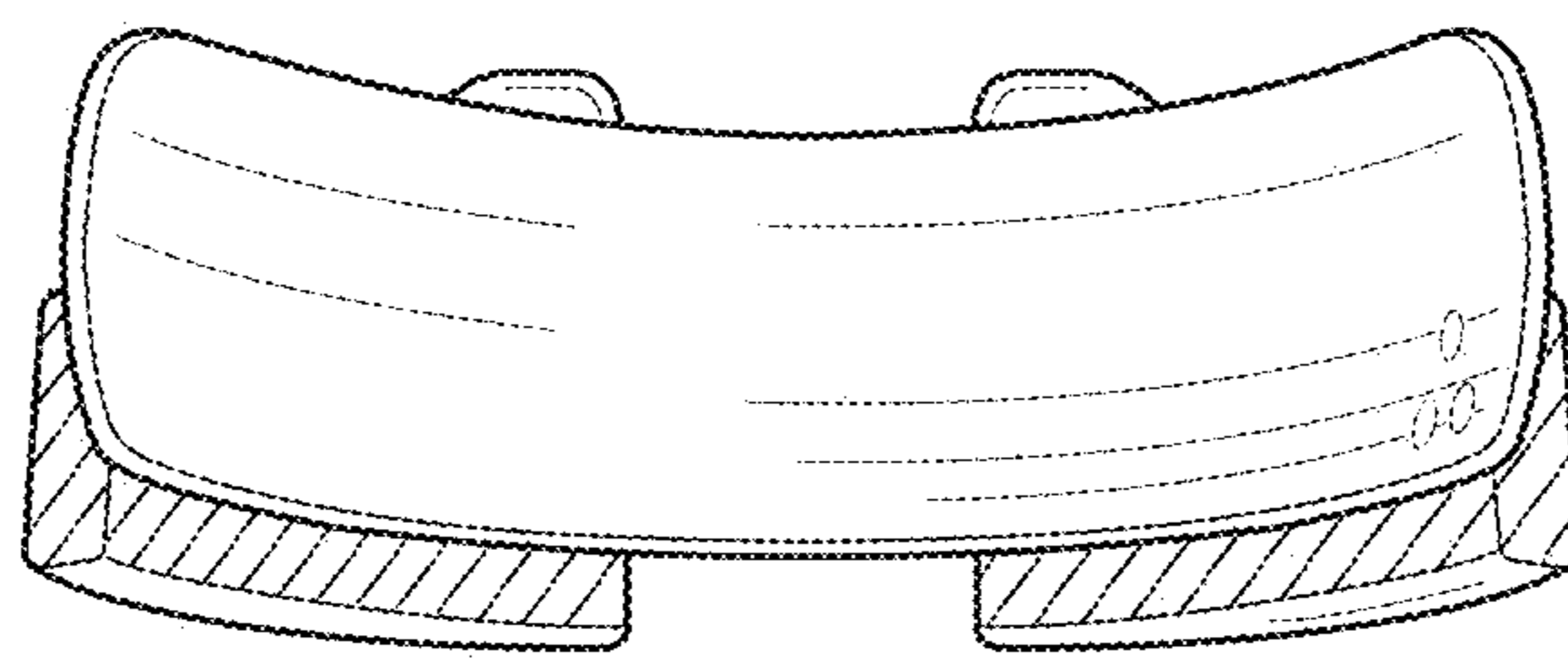


FIG. 8

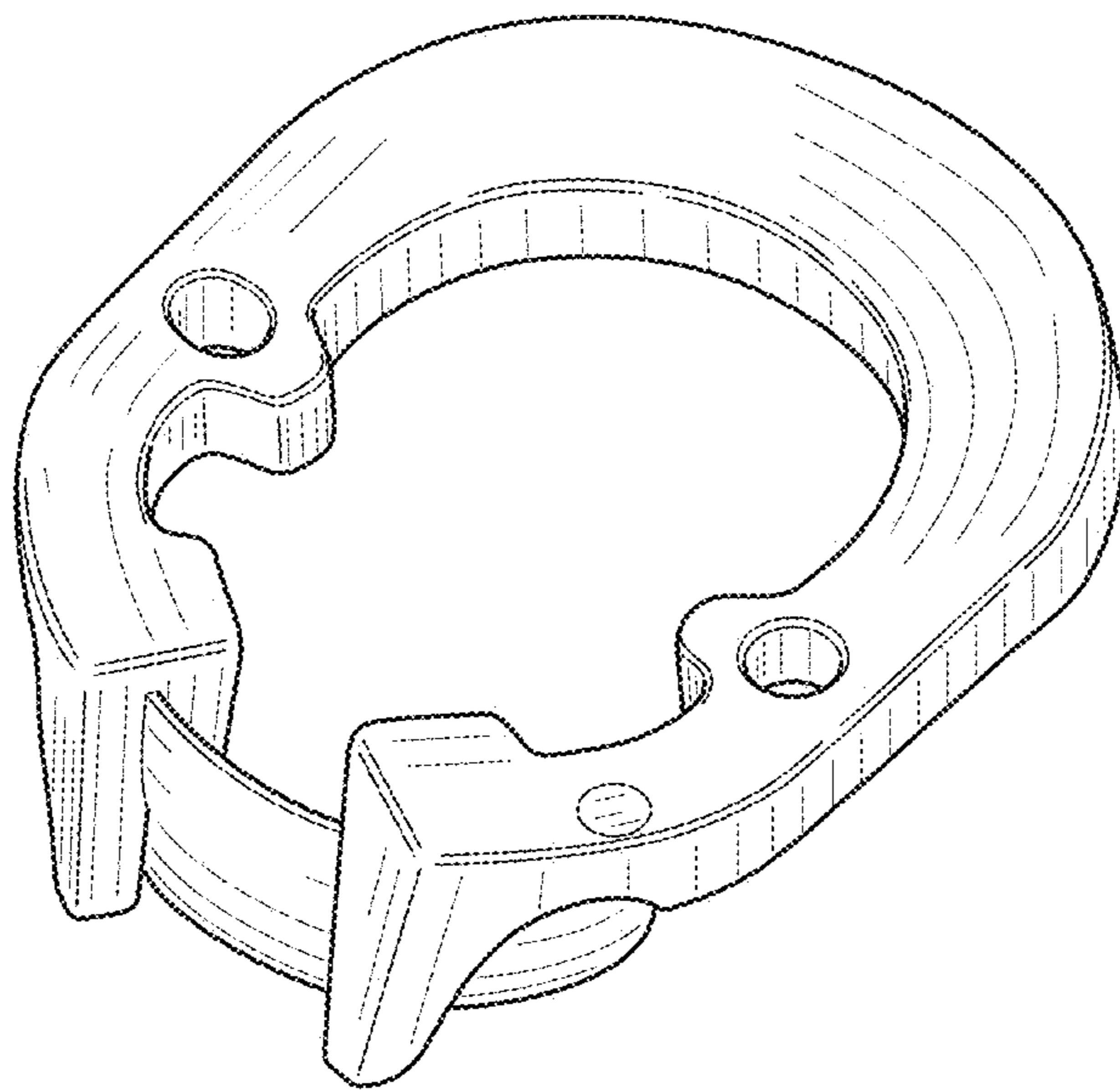


FIG. 9

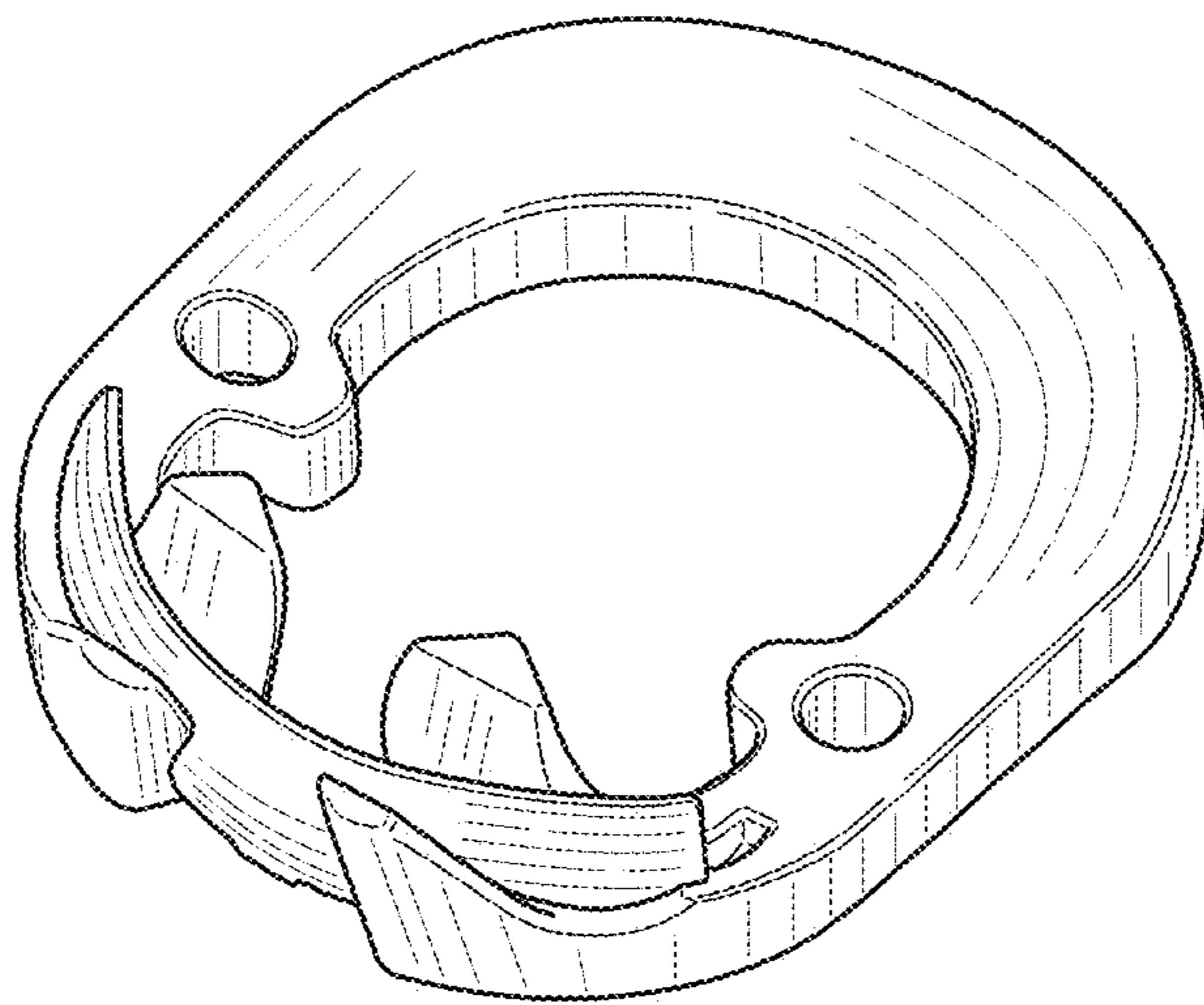


FIG. 10

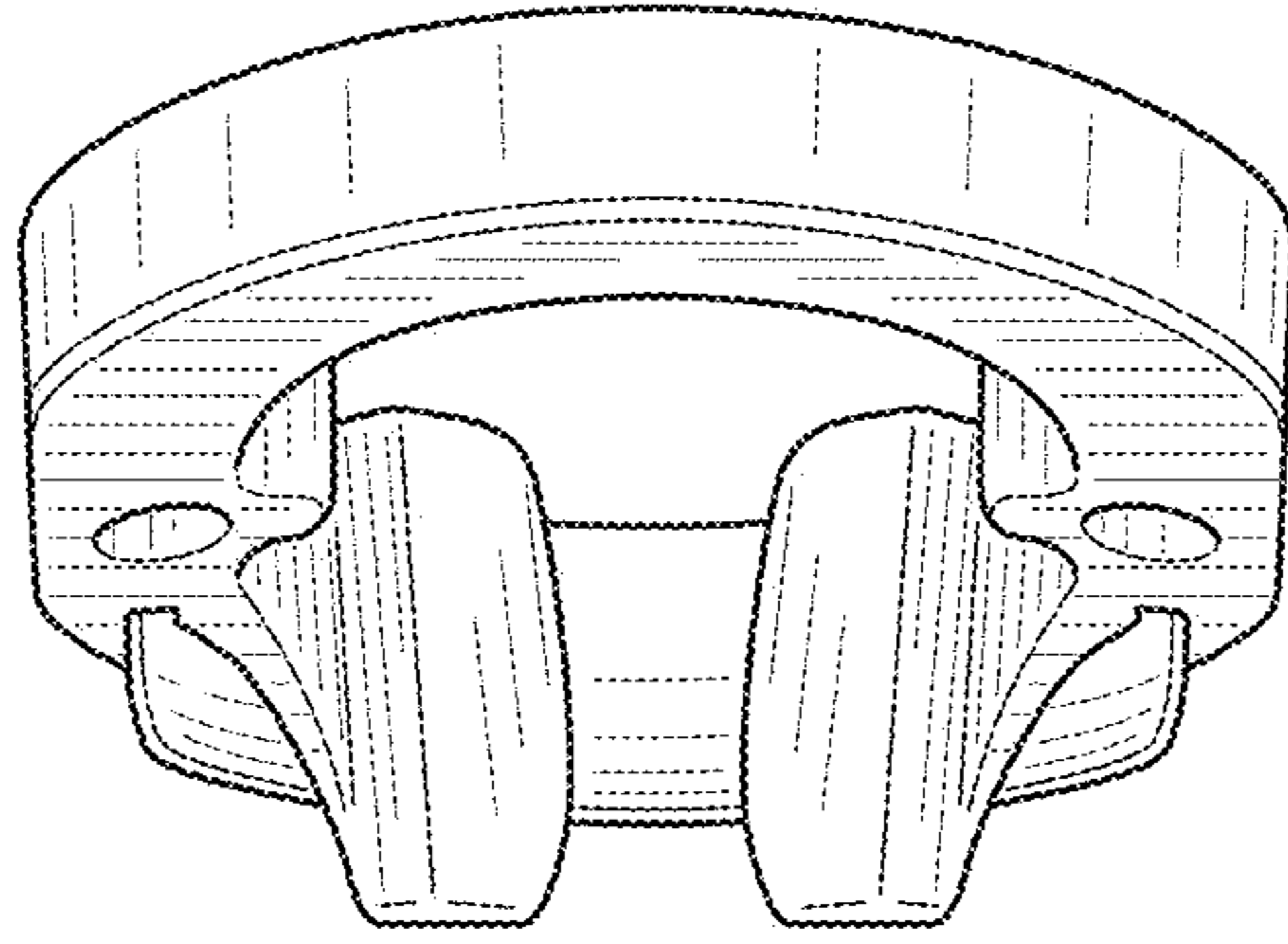


FIG. 11

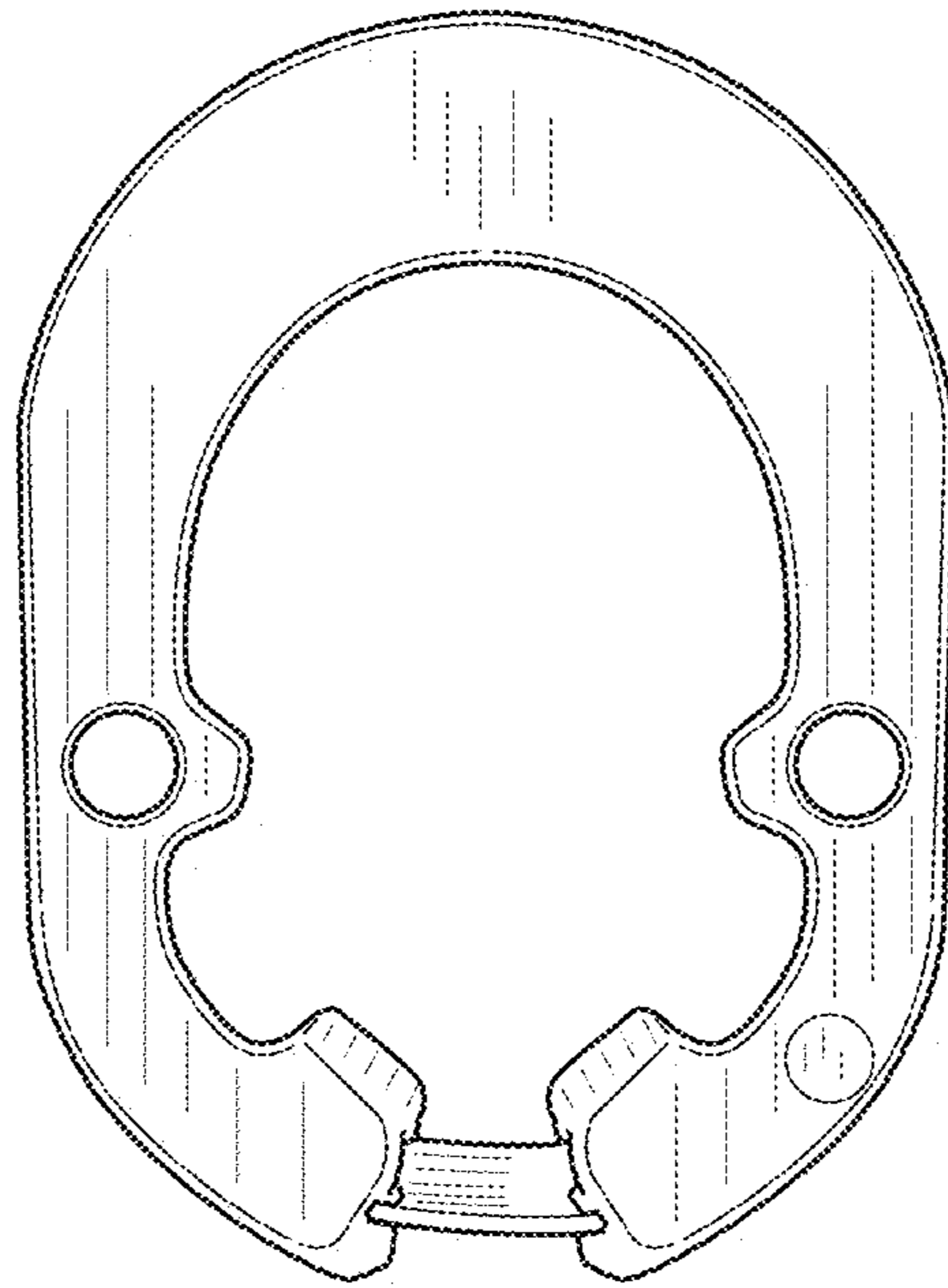


FIG. 12

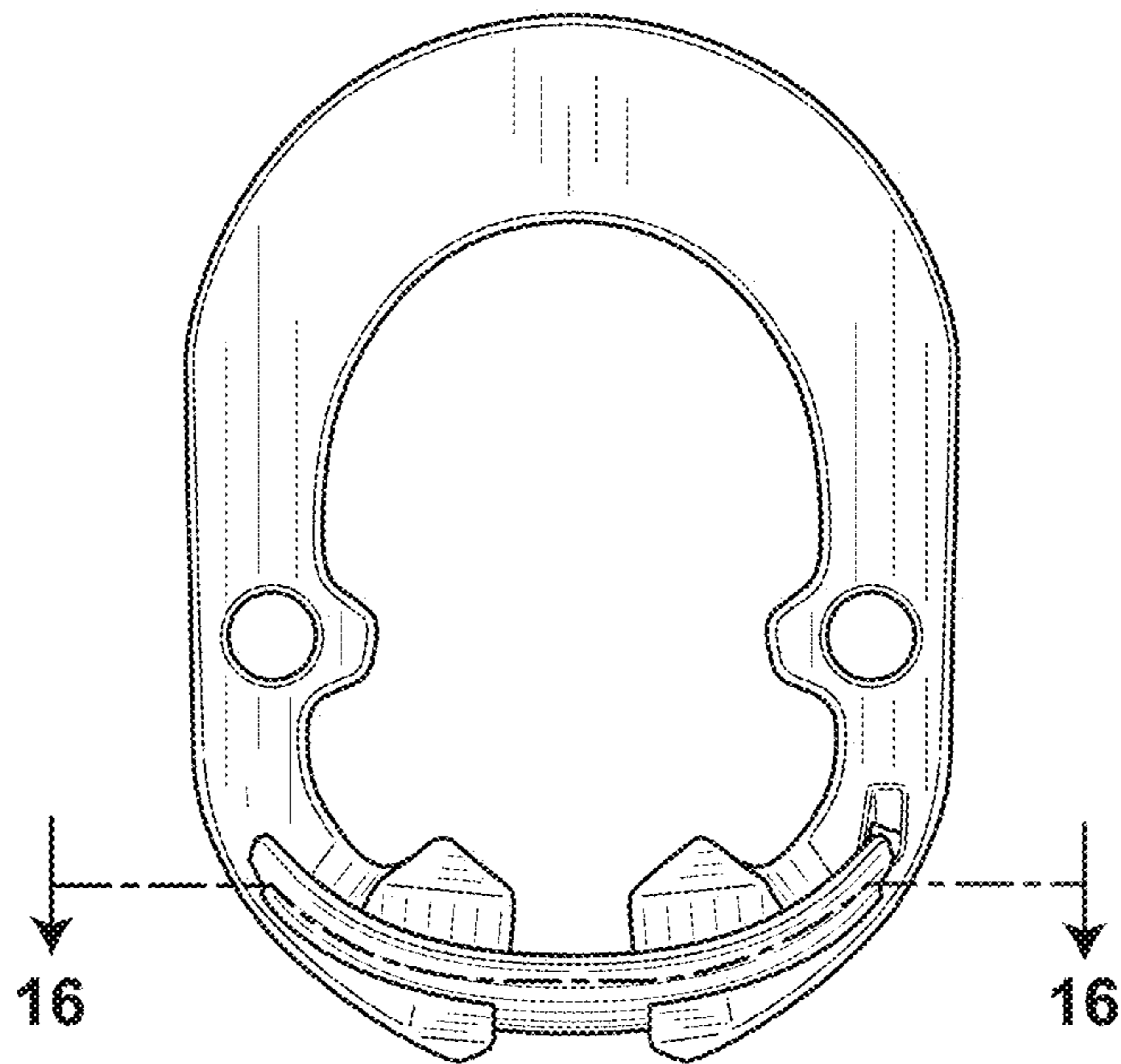


FIG. 13

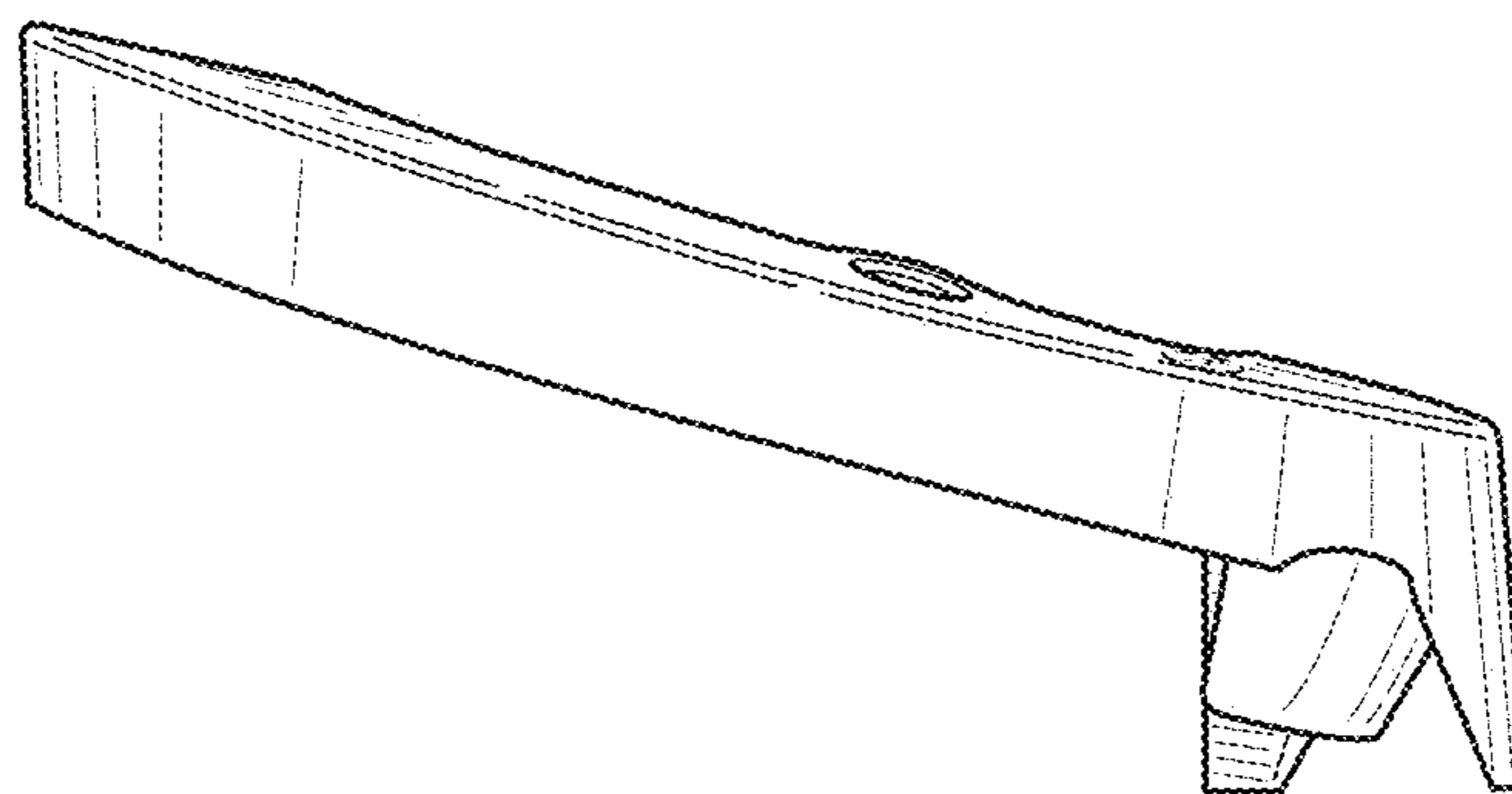


FIG. 14

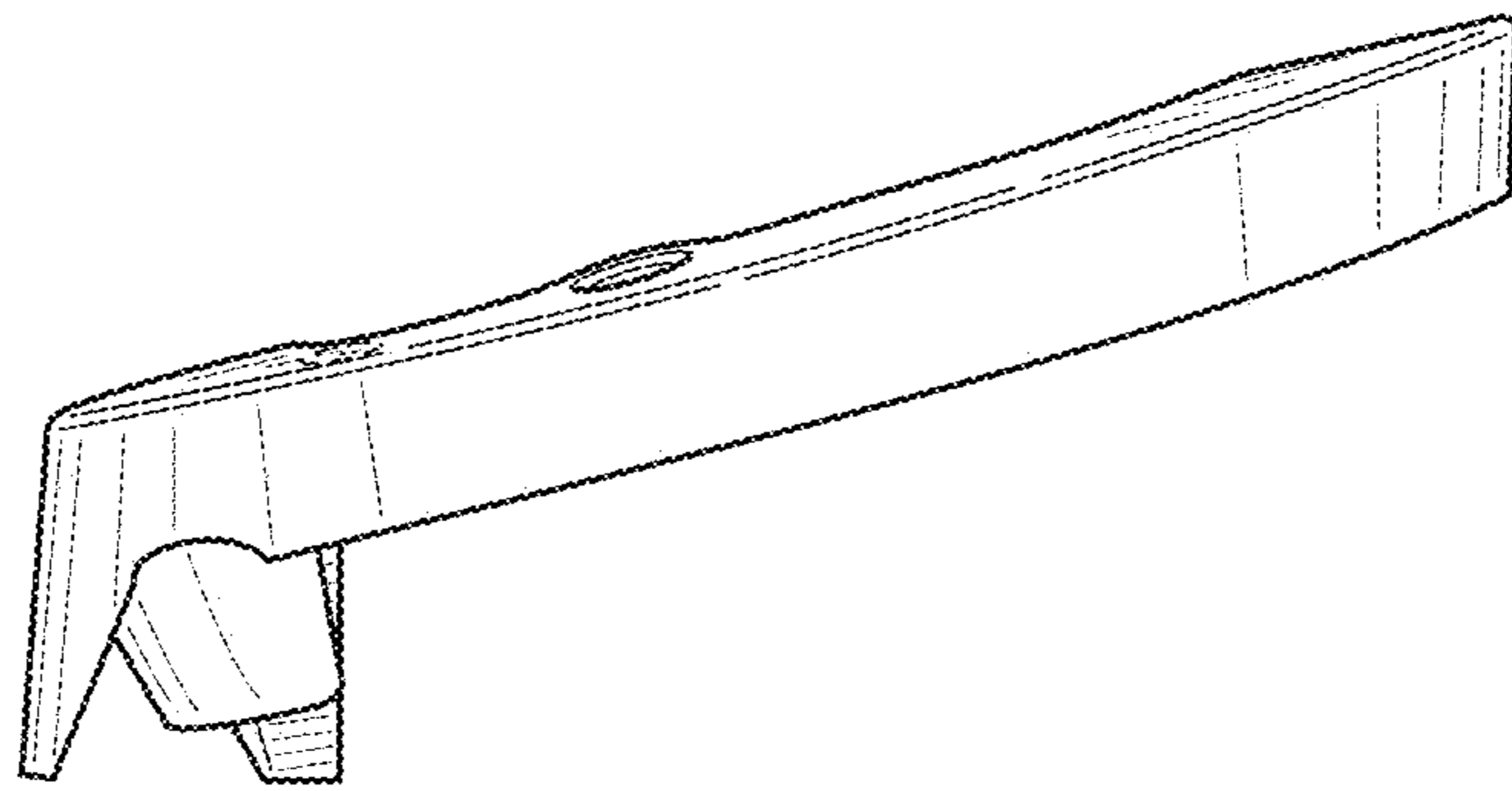


FIG. 15

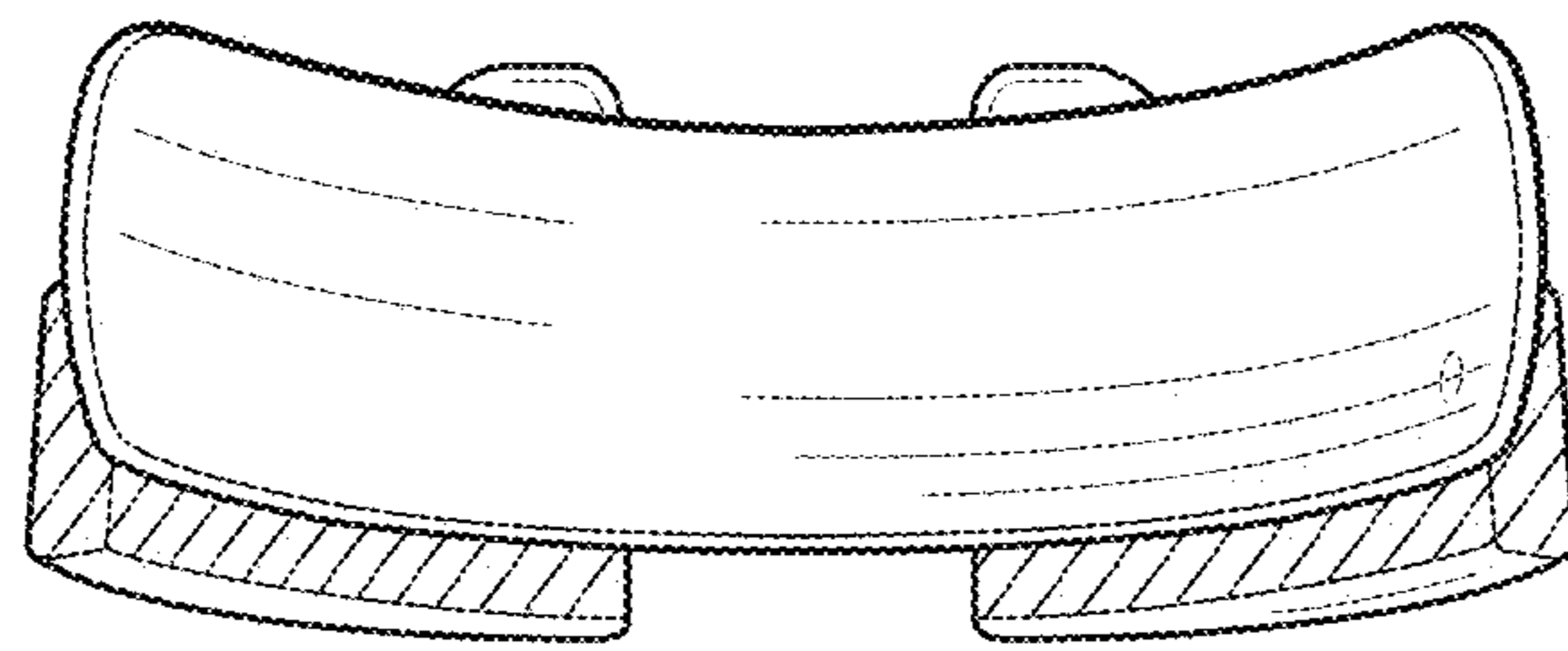


FIG. 16

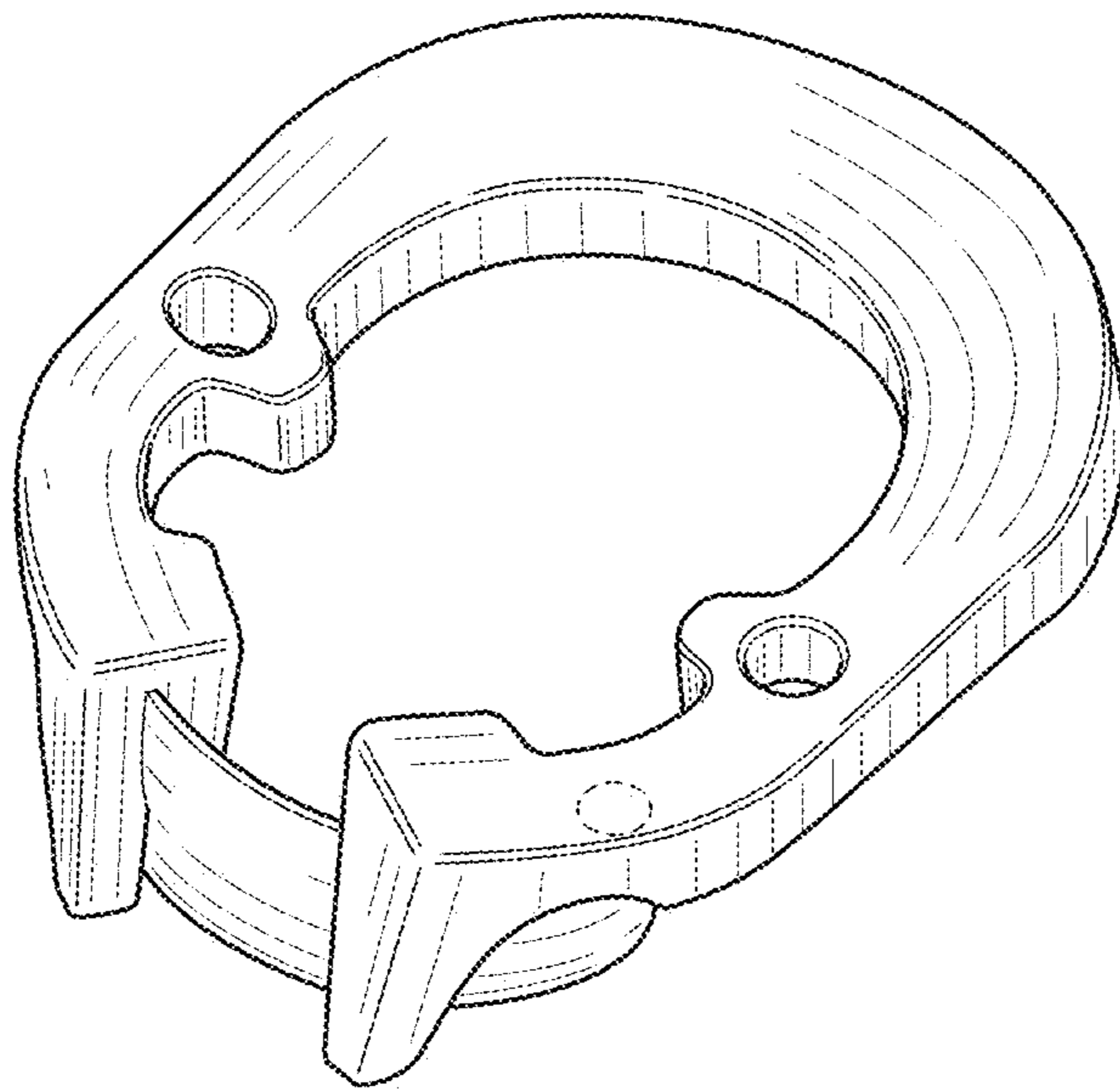


FIG. 17

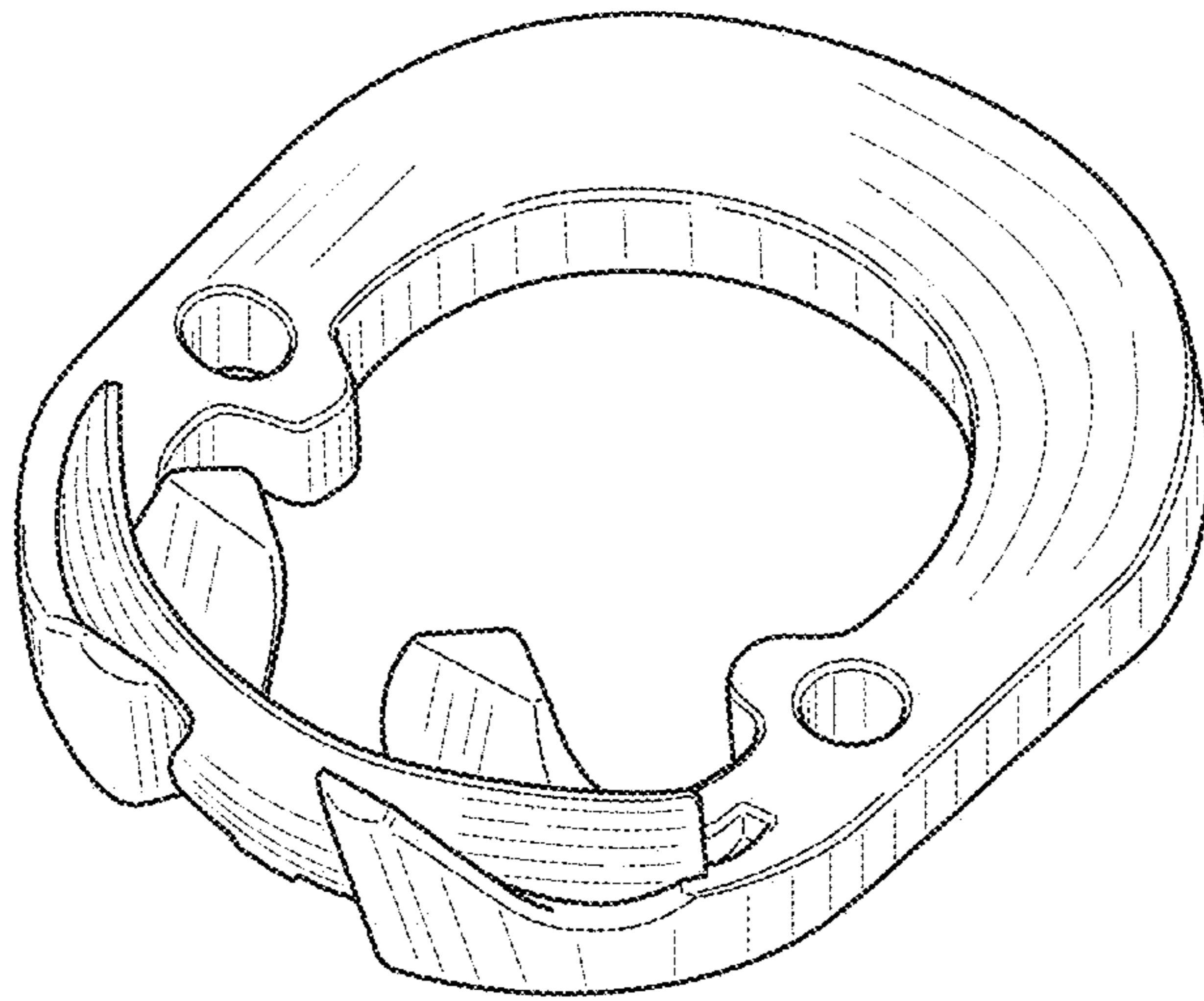


FIG. 18

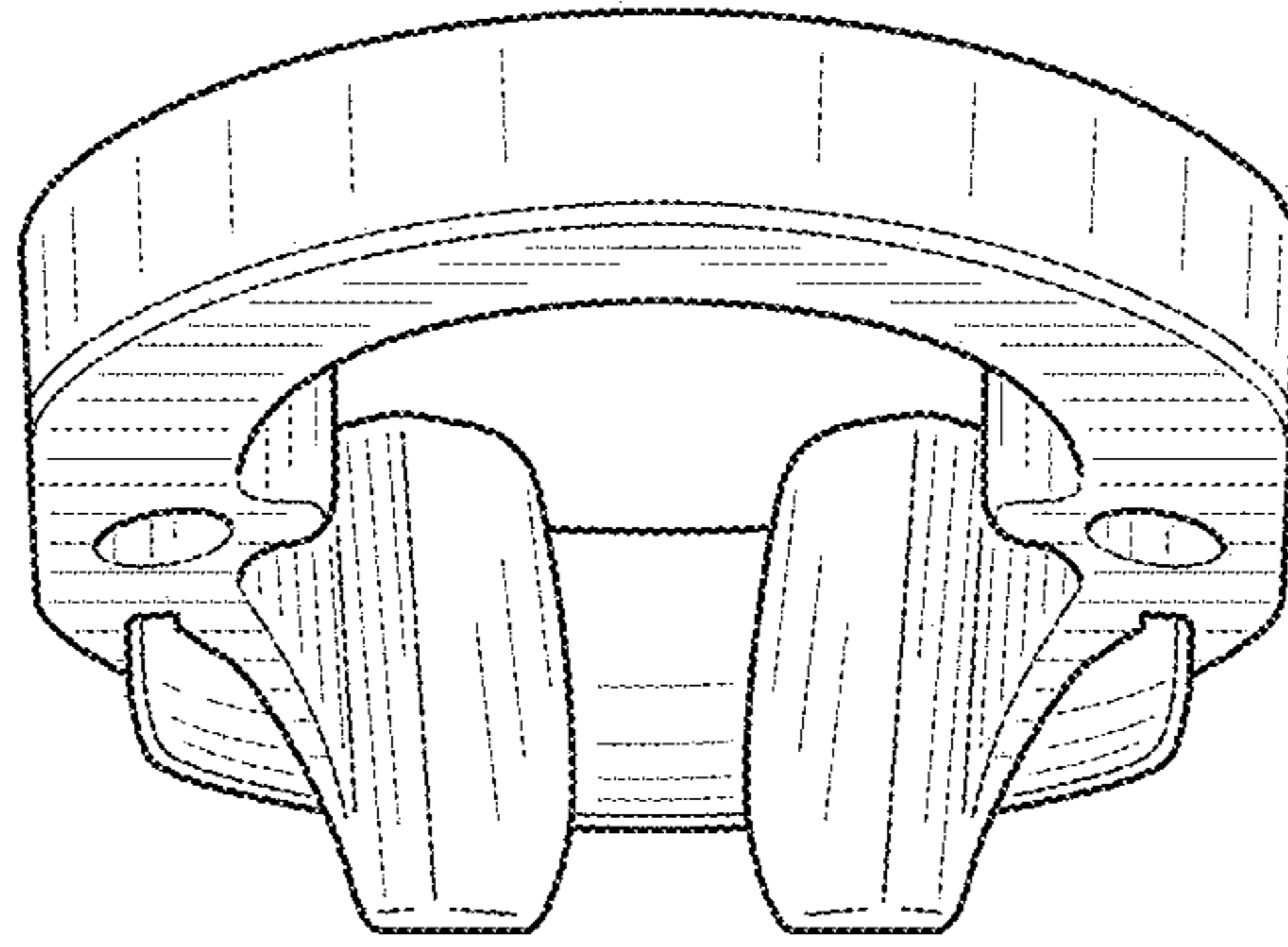


FIG. 19

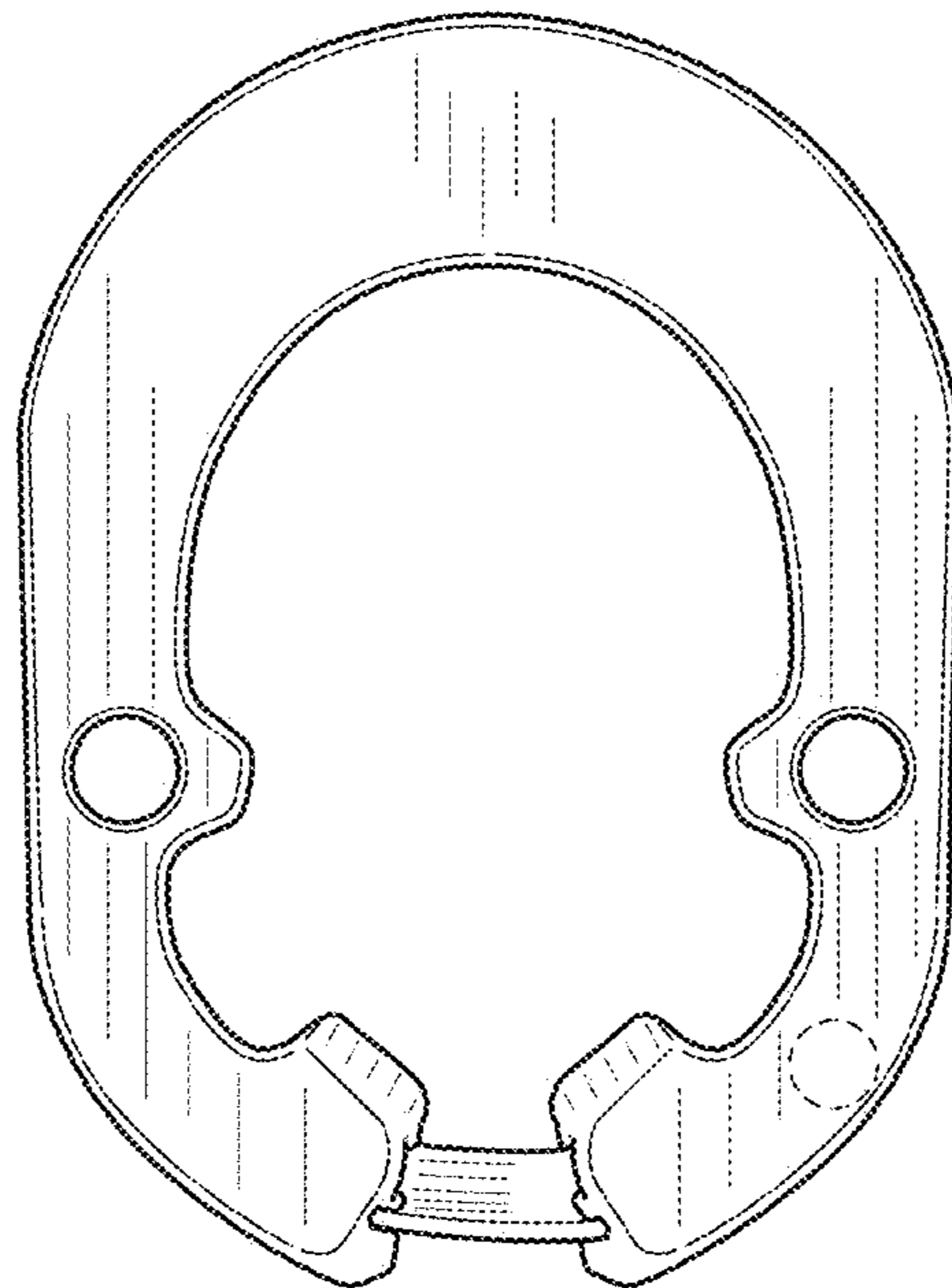


FIG. 20

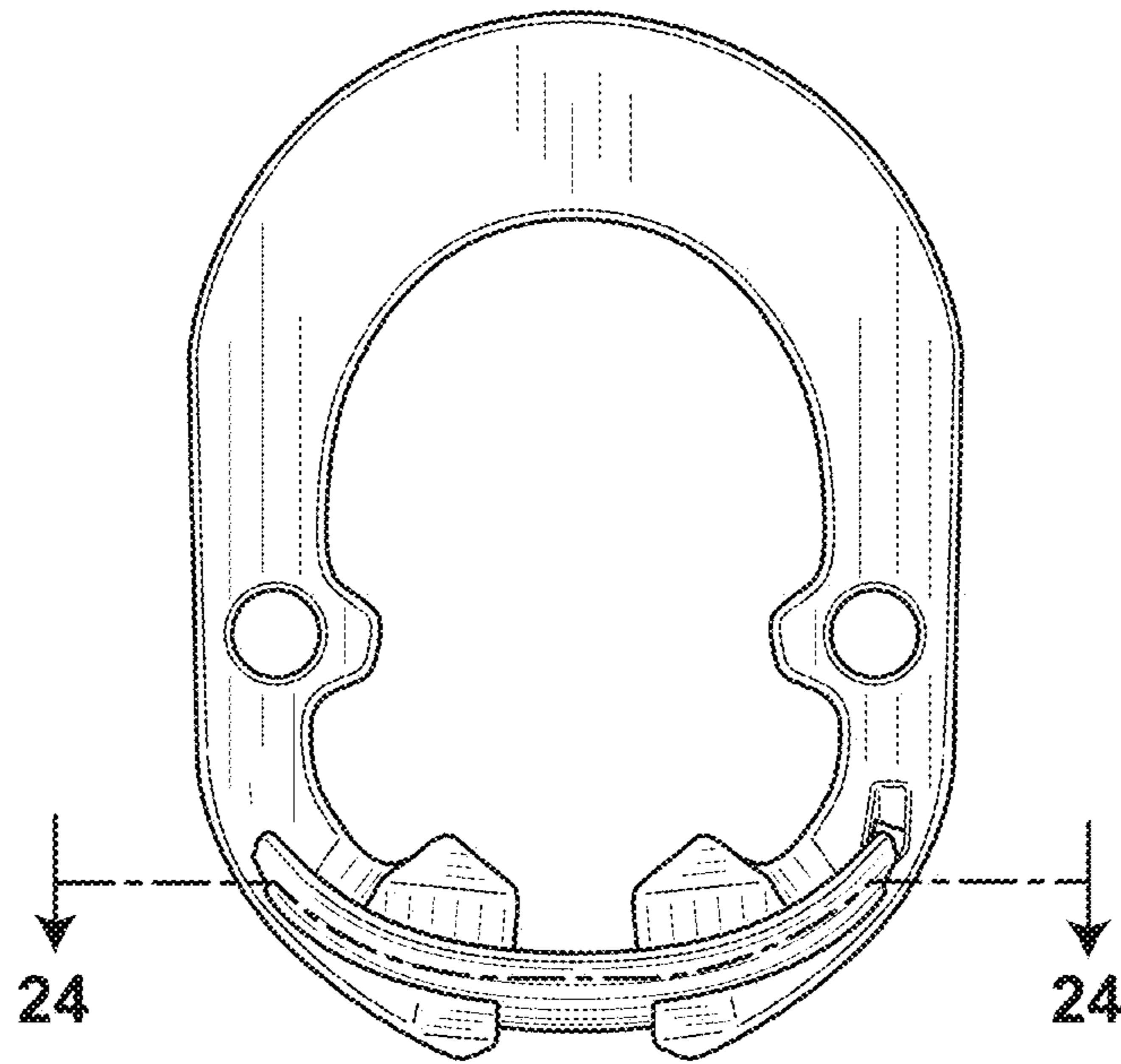


FIG. 21

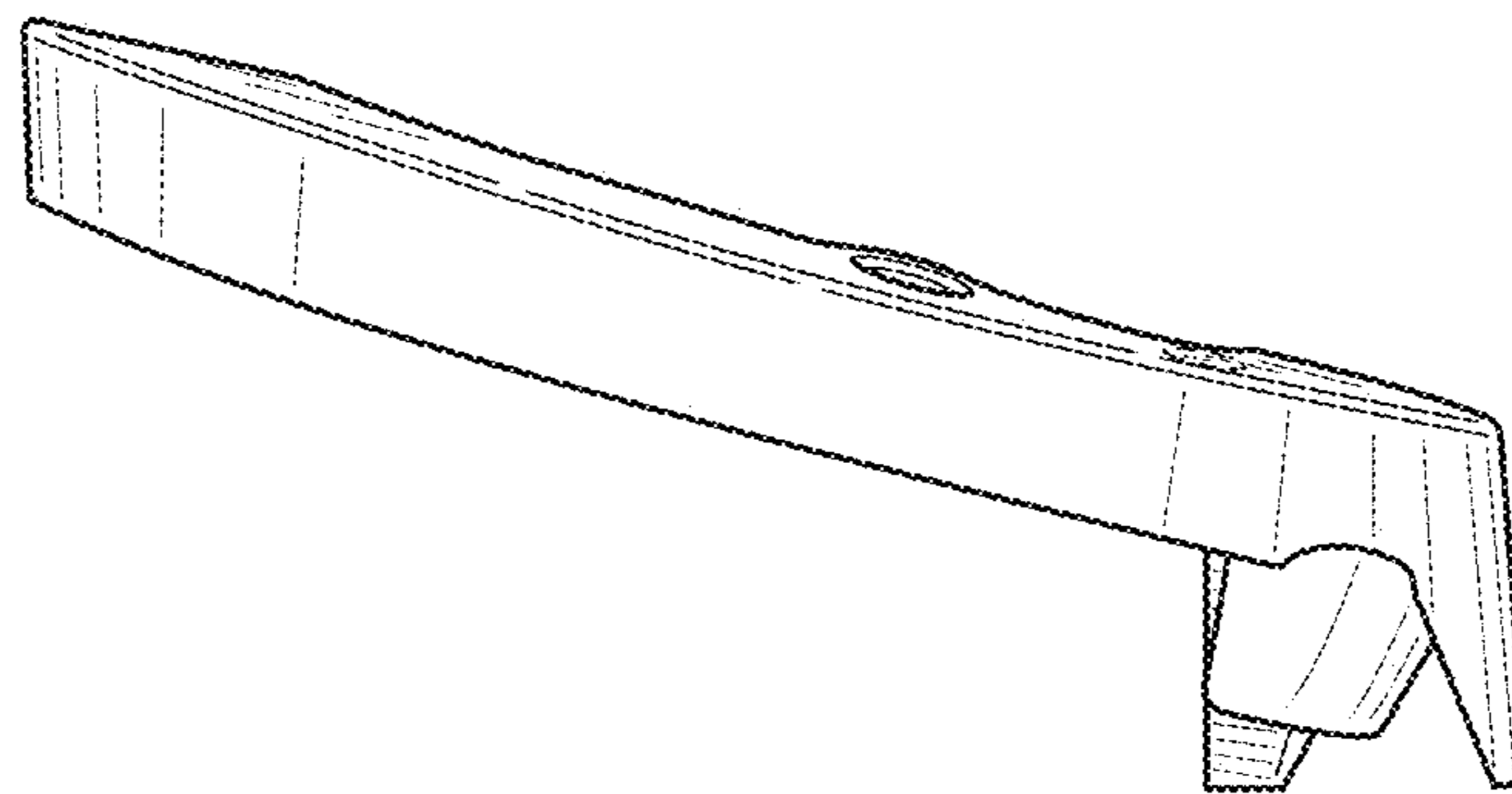


FIG. 22

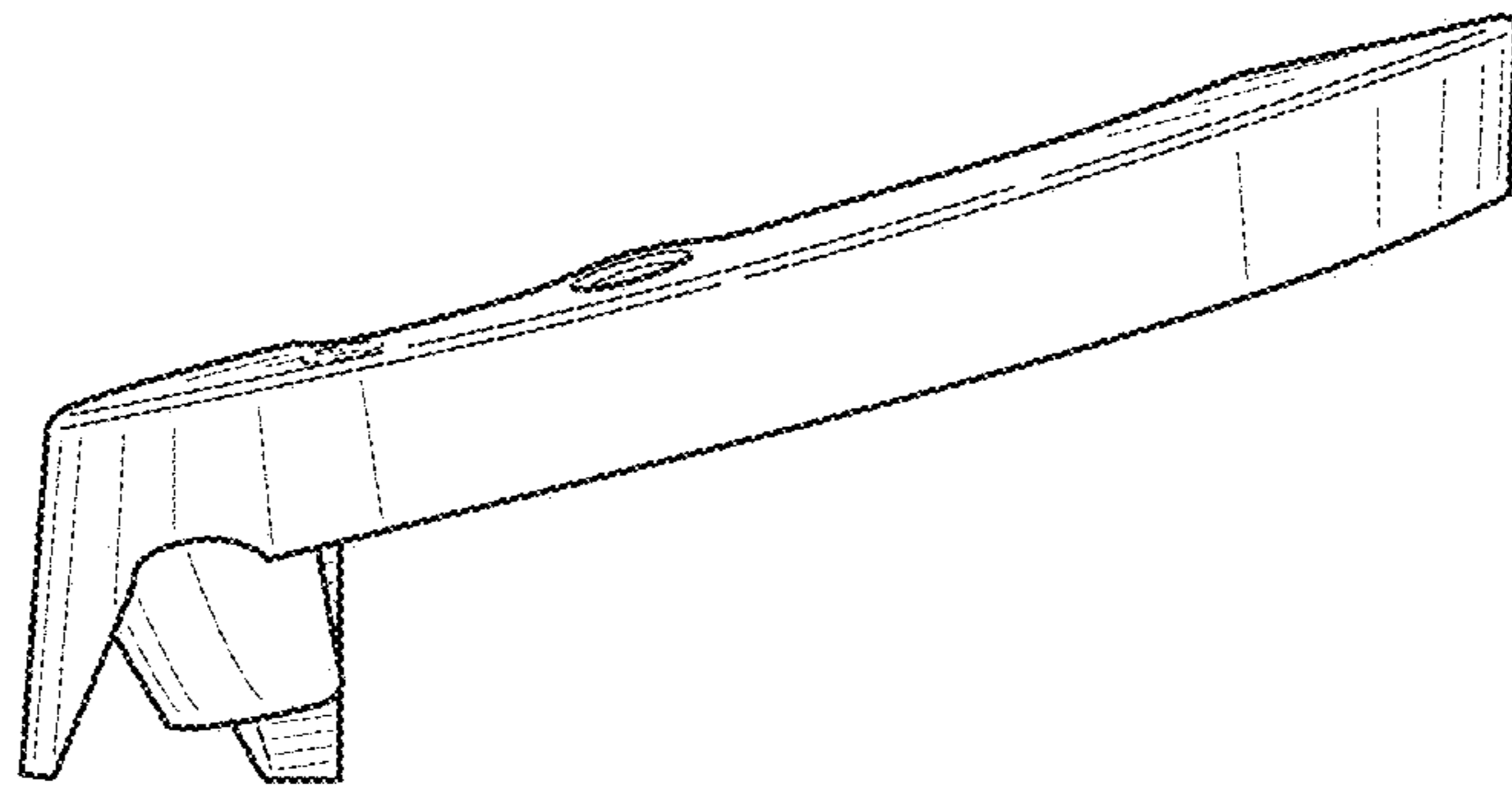


FIG. 23

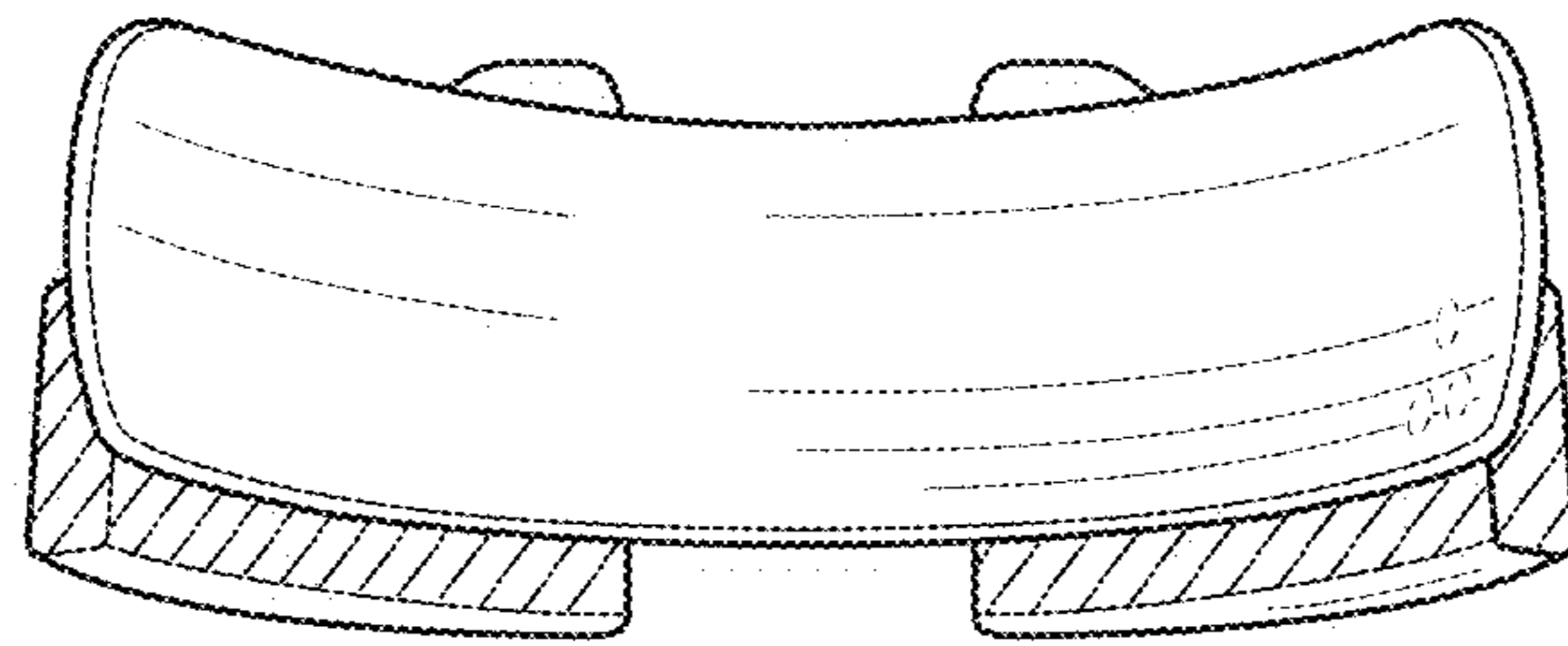


FIG. 24

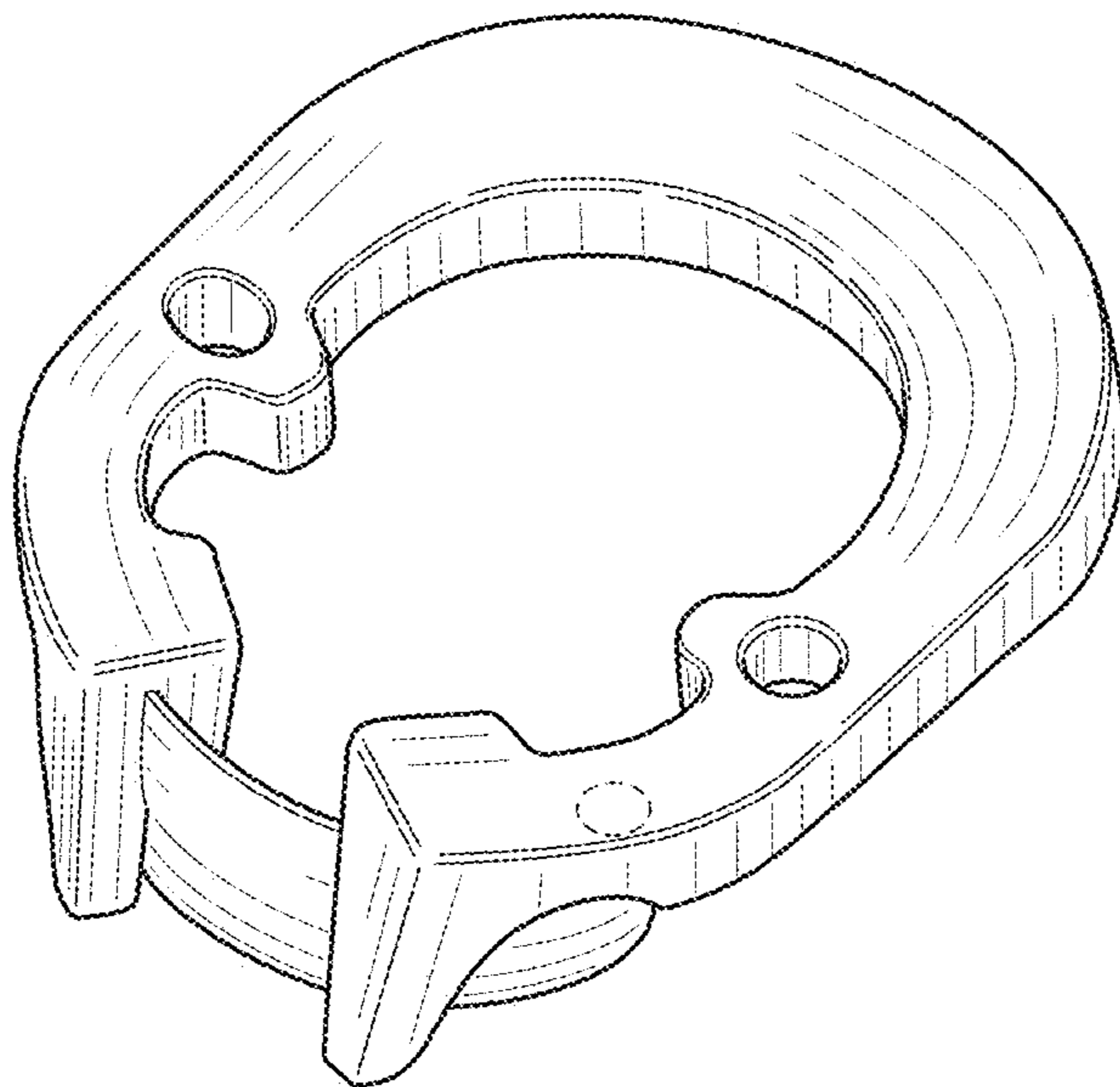


FIG. 25

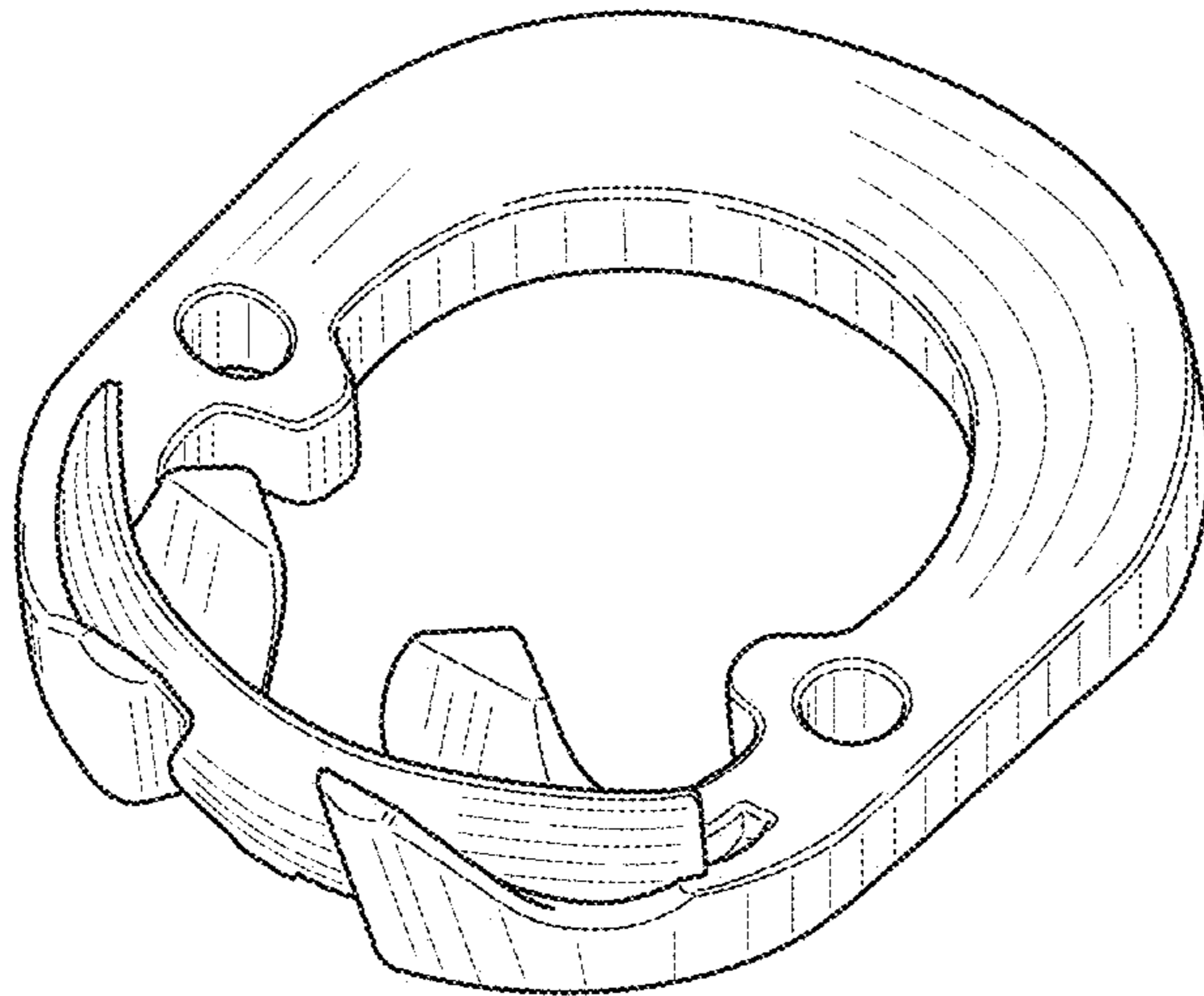


FIG. 26

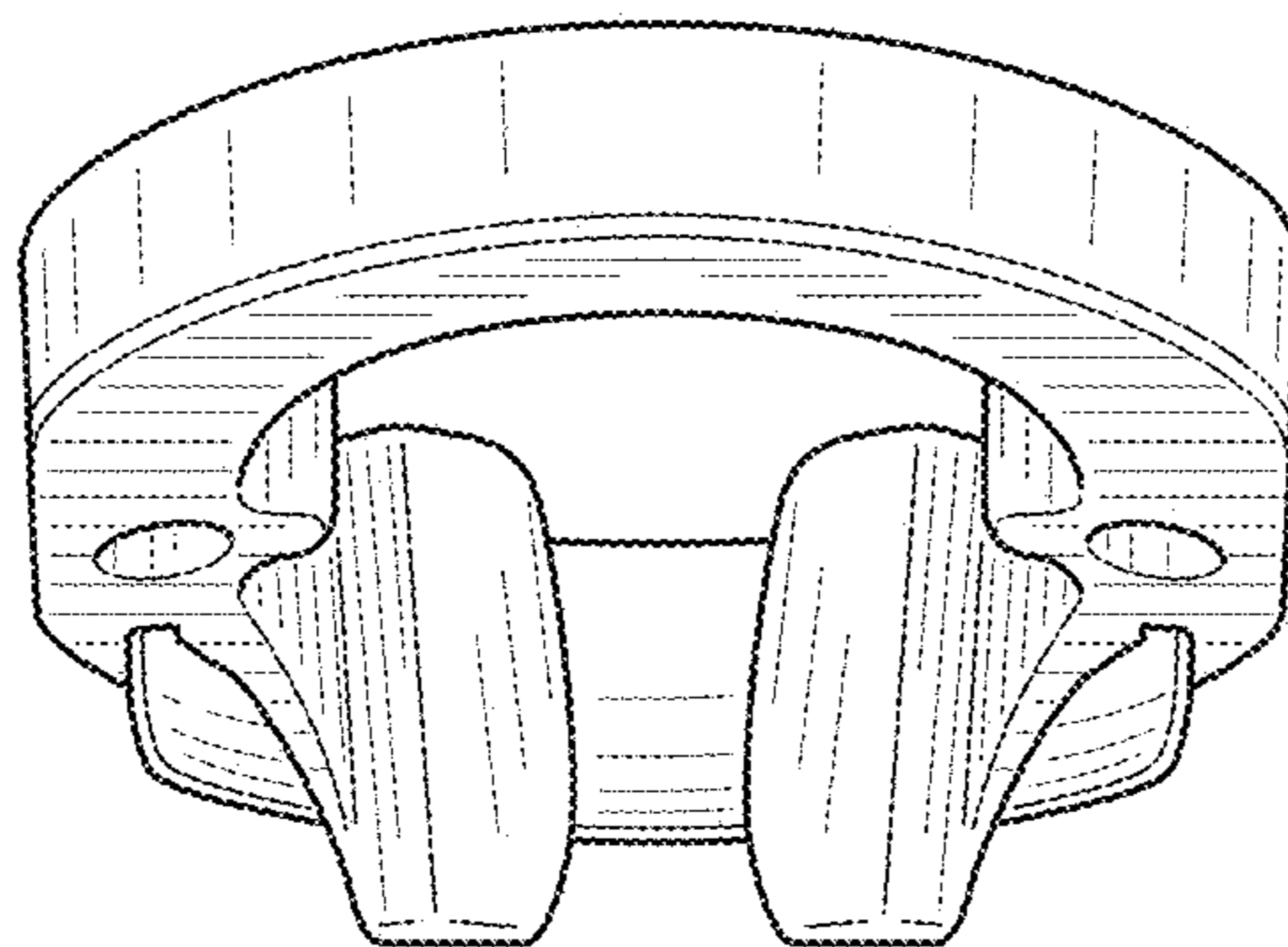


FIG. 27

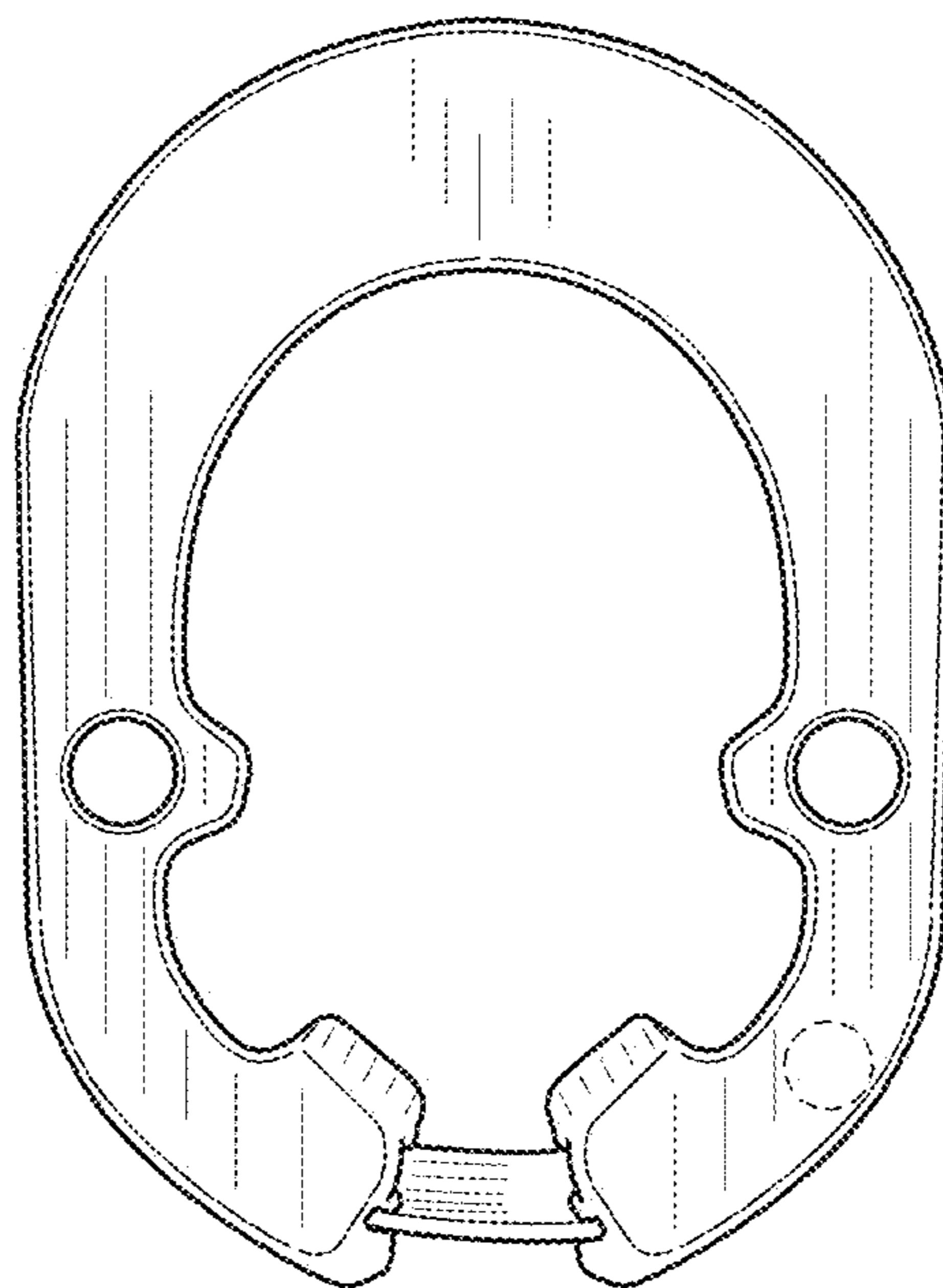


FIG. 28

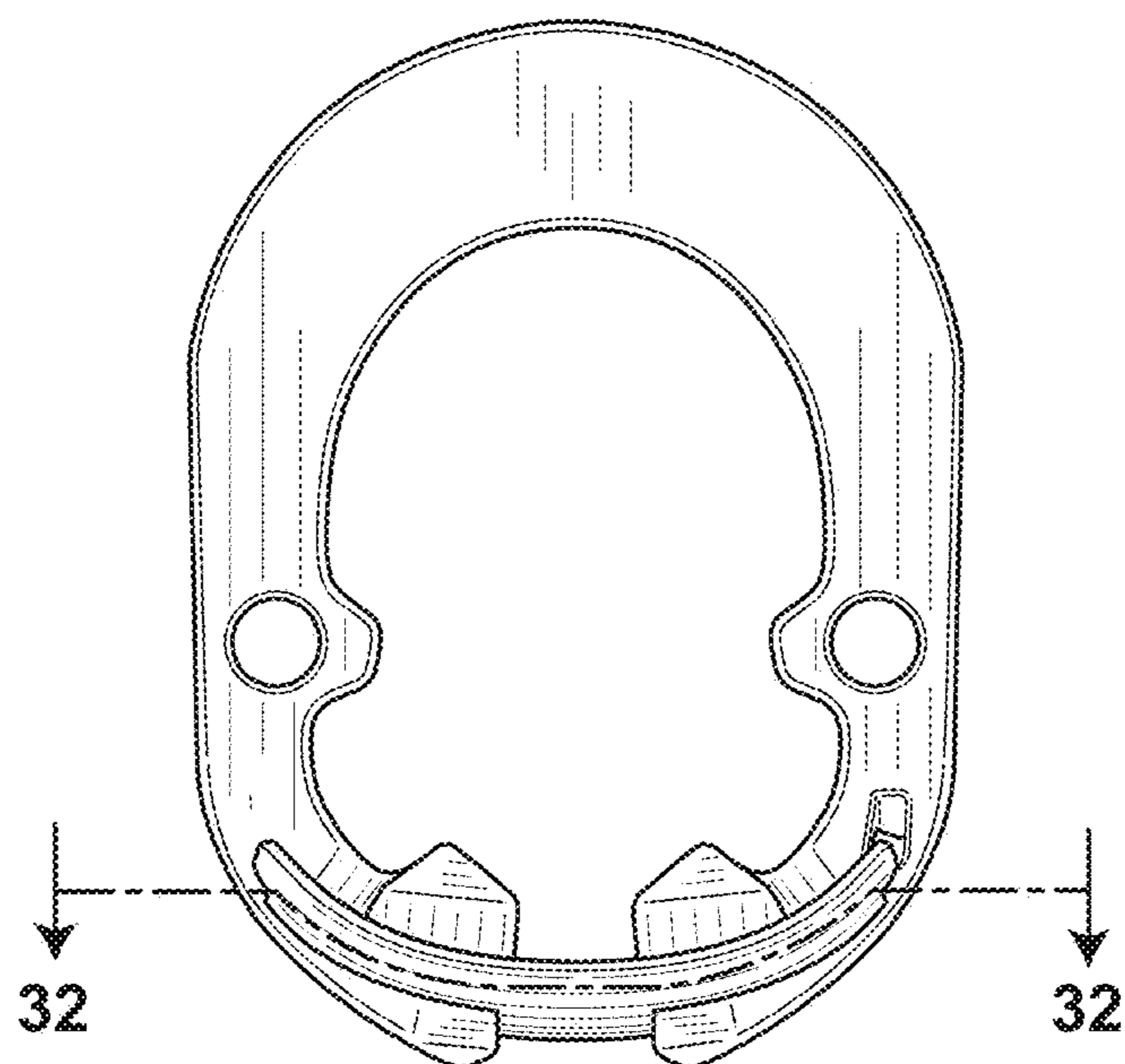


FIG. 29

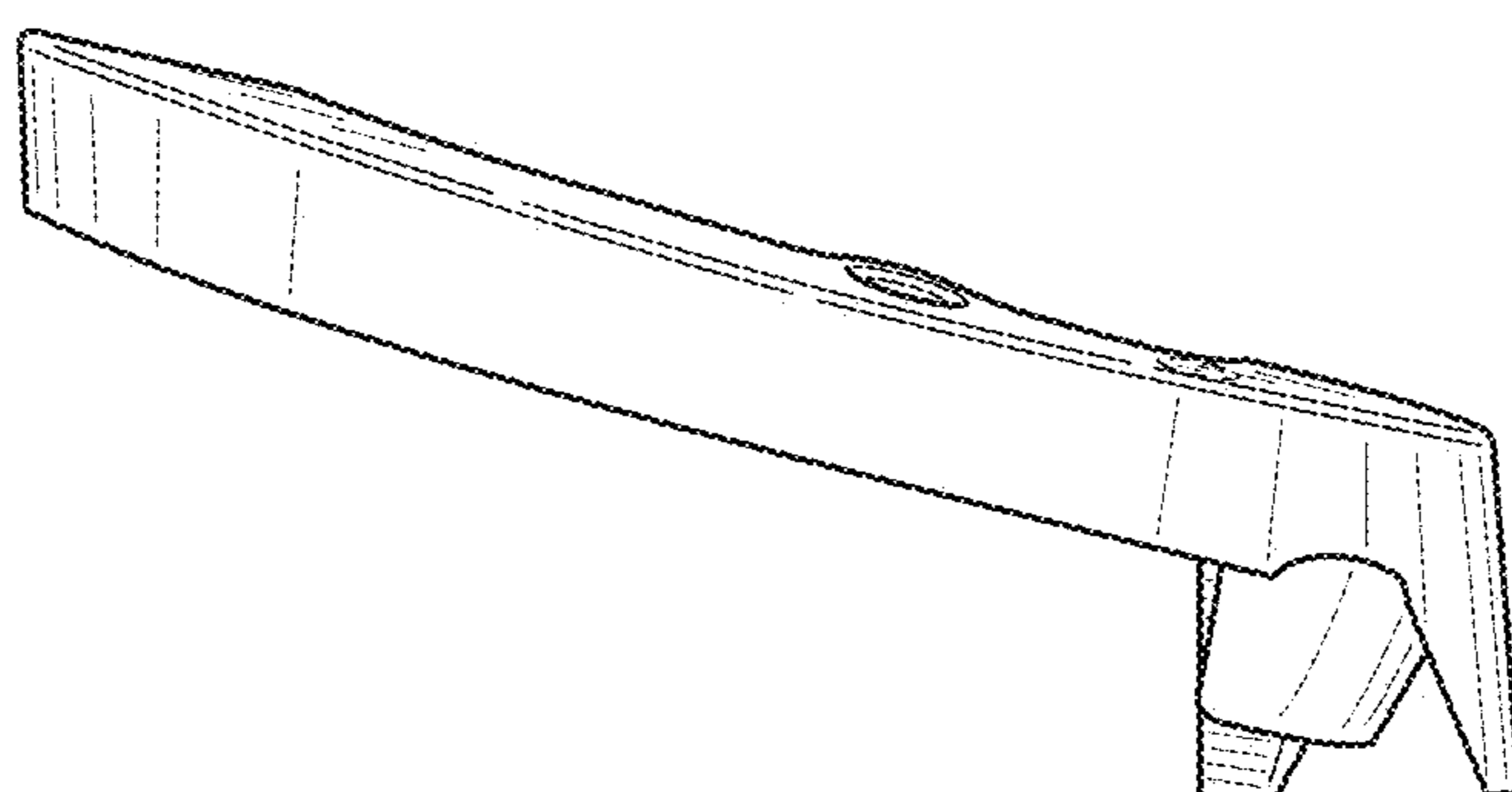


FIG. 30

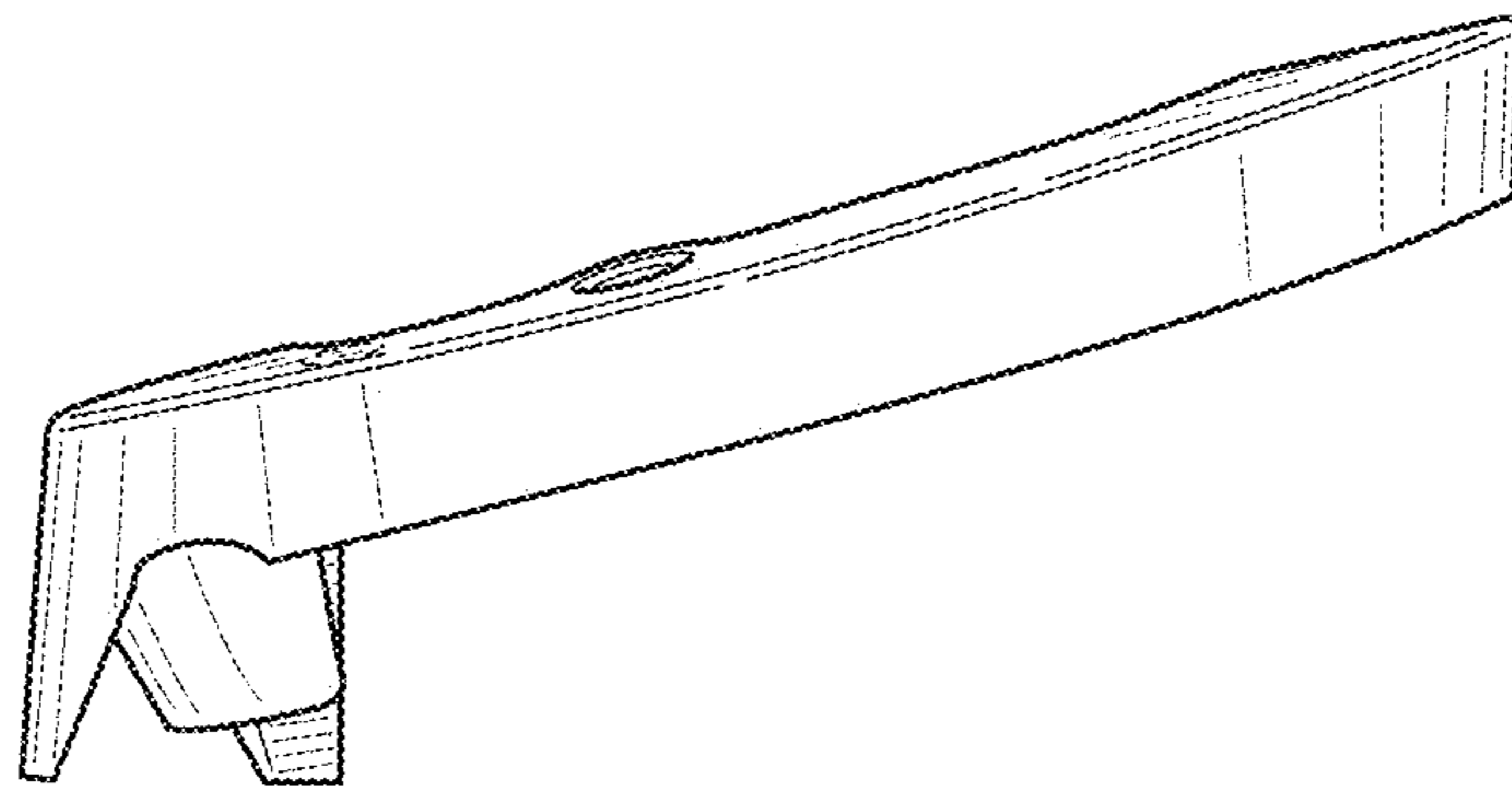


FIG. 31

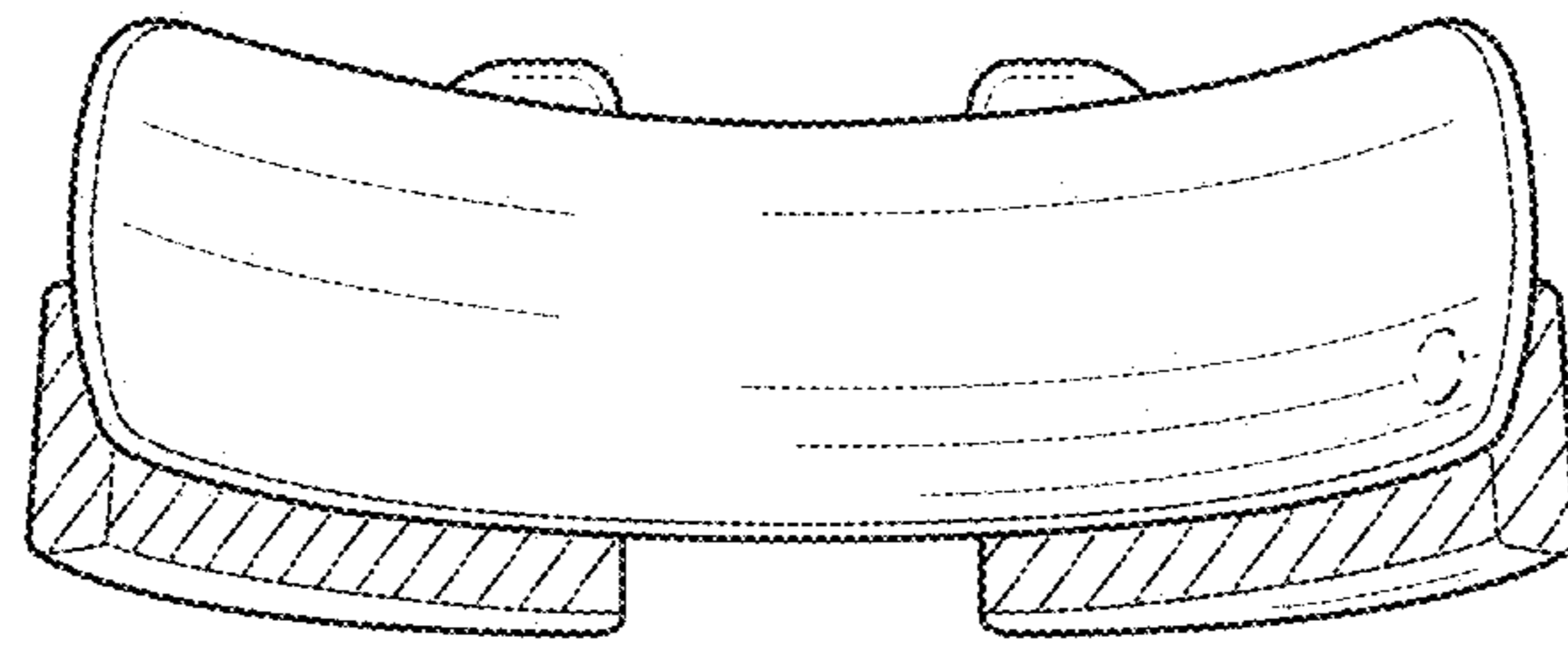


FIG. 32