



US00D945624S

(12) **United States Design Patent** (10) **Patent No.:** **US D945,624 S**
Marteau et al. (45) **Date of Patent:** **** Mar. 8, 2022**

(54) **CONTROLLER**

(71) Applicant: **GE Precision Healthcare LLC**,
Milwaukee, WI (US)

(72) Inventors: **Jean-Michel Marteau**, Le Plessis
Robinson (FR); **Julien Marcotte**,
Saint-Vrain (FR); **Aurelie Boudier**,
Bois d'Arcy (FR); **Julie Manzano**,
Malakoff (FR); **Stephane Vandroux**,
Paris (FR)

(73) Assignee: **GE Precision Healthcare LLC**,
Milwaukee, WI (US)

(**) Term: **15 Years**

(21) Appl. No.: **29/789,260**

(22) Filed: **Sep. 13, 2021**

Related U.S. Application Data

(63) Continuation-in-part of application No. 29/733,912,
filed on May 7, 2020, now Pat. No. Des. 933,231.

(51) **LOC (13) Cl.** **24-01**

(52) **U.S. Cl.**
USPC **D24/158**

(58) **Field of Classification Search**

USPC D14/388, 389, 390, 396, 397, 398, 399,
D14/400, 401, 454, 455, 356, 357, 496,
D14/217, 218, 239, 168, 415;
D21/324-333, 566; D13/162, 162.1, 163,
D13/168; D10/106.9, 106.95; D12/174;
D24/113, 158, 160, 177, 185, 186;
D15/199, 28, 78, 122, 138; D16/237
CPC A61B 1/00002; A61B 1/00009; A61B
1/0052; A61B 1/045; A61B 6/54; A61B
6/548; A61B 8/54; A61B 2017/00199;
A61B 2017/00212; A61B 2018/0094;
A61B 2018/00946; A61B 2018/00952;

(Continued)

(56) **References Cited**

U.S. PATENT DOCUMENTS

D122,838 S * 10/1940 Graves D24/158
D181,522 S * 11/1957 Ensign D24/158

(Continued)

Primary Examiner — Marie D. Fast Horse

(74) *Attorney, Agent, or Firm* — McCoy Russell LLP

(57) **CLAIM**

The ornamental design for a controller, as shown and
described.

DESCRIPTION

FIG. 1 is a front perspective view of a controller according
to the claimed design.

FIG. 2 is a rear perspective view of the controller.

FIG. 3 is a top view of the controller.

FIG. 4 is a bottom view of the controller.

FIG. 5 is a front view of the controller.

FIG. 6 is a rear view of the controller.

FIG. 7 is a left side view of the controller.

FIG. 8 is a right side view of the controller.

FIG. 9 is a cross-sectional view of the controller taken along
line 9-9 in FIG. 3; and,

FIG. 10 is an enlarged view of the enclosed portion in FIG.
9.

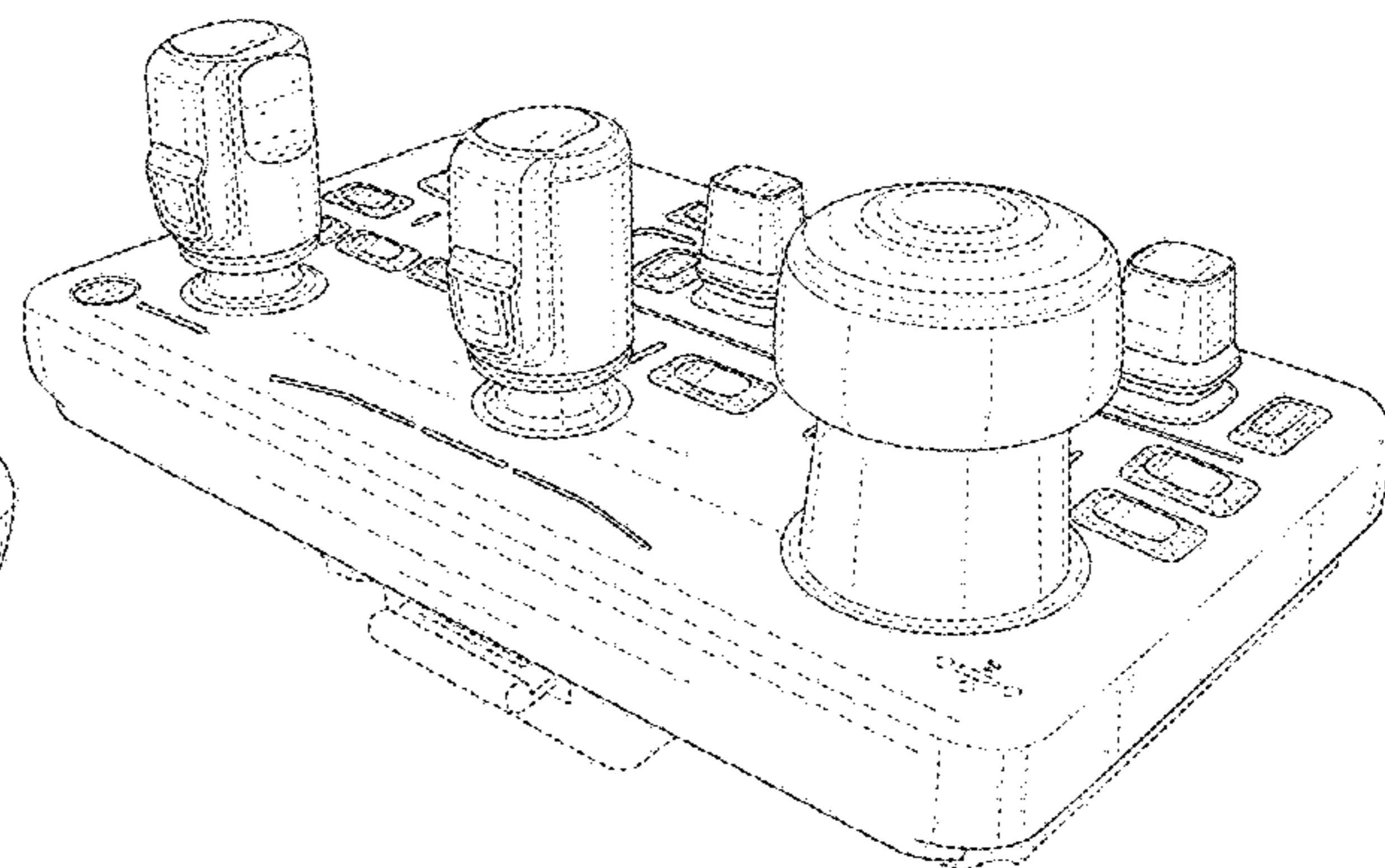
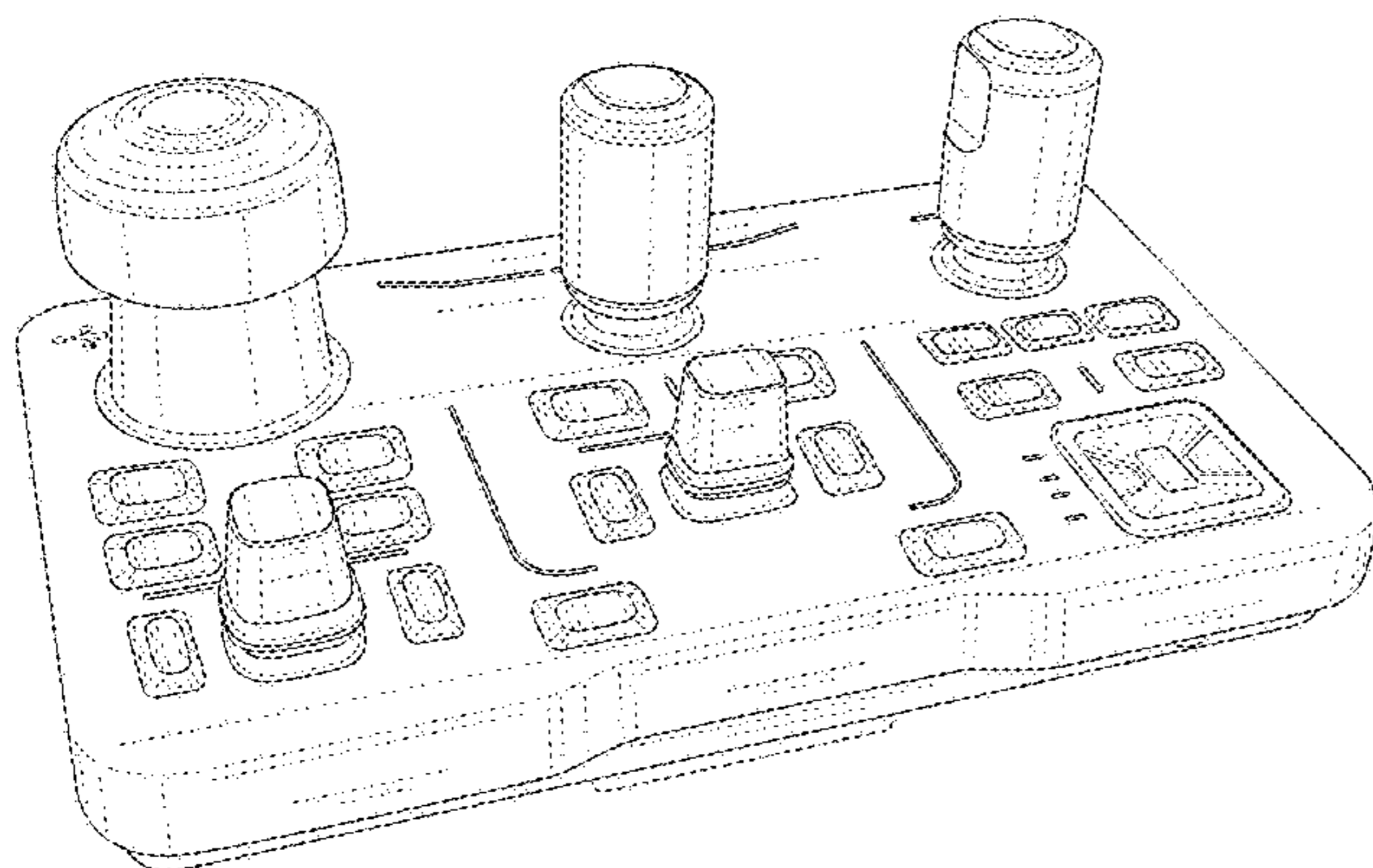
The dash-dash broken lines in the drawings illustrate por-
tions of the controller and environmental subject matter that
form no part of the claimed design.

The interior portions of the controller illustrated with dashed
hatch shading in FIGS. 9-10 of the drawings form no part of
the claimed design, but the exterior surfaces illustrated with
solid lines in FIGS. 9-10 are claimed.

The dash-dot broken lines in FIGS. 3 and 9-10 of the
drawings showing the section lines and enclosed portions
form no part of the claimed design.

The surface line shading is included for clarification pur-
poses.

1 Claim, 10 Drawing Sheets



- (58) **Field of Classification Search**
 CPC . G06T 11/80; G06F 3/02; G06F 3/033; G06F
 3/0338; G06F 1/169; B25J 13/00; B25J
 13/06; B25J 13/084
 See application file for complete search history.

(56) **References Cited**

U.S. PATENT DOCUMENTS

D288,820	S	*	3/1987	Couch	D14/300
D334,062	S	*	3/1993	Davis	D24/160
D340,916	S	*	11/1993	Imura	D13/162
D366,261	S	*	1/1996	Splane, Jr.	D14/217
D395,285	S	*	6/1998	Allon	D14/388
D411,530	S	*	6/1999	Carter	D14/400
D421,038	S	*	2/2000	Hisatsune	D13/168
D449,292	S	*	10/2001	Miyazaki	D14/217
D463,401	S	*	9/2002	Miyazaki	D14/217
D480,810	S	*	10/2003	Gumisawa	D24/158
D545,434	S	*	6/2007	Ogiwara	D24/158
D545,966	S	*	7/2007	Ogiwara	D24/158
D548,344	S	*	8/2007	Ogiwara	D24/158
D550,359	S	*	9/2007	Ogiwara	D24/158
D554,258	S	*	10/2007	Ogiwara	D24/158
D560,807	S	*	1/2008	Kitayama	D24/158
D571,011	S	*	6/2008	Otoha	D24/158
D609,349	S	*	2/2010	Pelissier	D24/186
D626,235	S	*	10/2010	Smith	D24/158
D626,236	S	*	10/2010	Ninomiya	D24/185
D630,752	S	*	1/2011	Suzuki	D24/158
D648,370	S	*	11/2011	Yoshida	D16/237
D648,855	S	*	11/2011	Smith	D24/158
D650,482	S	*	12/2011	Kim	D24/158
D662,208	S	*	6/2012	Otoha	D24/185
D687,151	S	*	7/2013	Yokoyama	D24/160
D695,898	S	*	12/2013	Chung	D24/158
D697,212	S	*	1/2014	Chung	D24/158
D697,620	S	*	1/2014	Chung	D24/158
D697,622	S	*	1/2014	Chung	D24/158
D699,852	S	*	2/2014	Chung	D24/158

D708,333	S	*	7/2014	Kim	D24/158
D711,539	S	*	8/2014	Hunt	D24/158
D716,949	S	*	11/2014	Baba	D24/160
D723,168	S	*	2/2015	Tong	D24/158
D723,693	S	*	3/2015	Banryu	D24/158
D726,923	S	*	4/2015	Baba	D24/158
D727,504	S	*	4/2015	Ninomiya	D24/158
D727,506	S	*	4/2015	Tan	D24/158
D728,791	S	*	5/2015	Ninomiya	D24/158
D731,657	S	*	6/2015	Tong	D24/158
D743,558	S	*	11/2015	Kim	D24/186
D767,537	S	*	9/2016	Matsubayashi	D14/217
D771,595	S	*	11/2016	Medas	D14/217
D781,249	S	*	3/2017	Park	D13/168
D789,425	S	*	6/2017	Smith	D15/28
D804,673	S	*	12/2017	Shin	D24/186
D810,295	S	*	2/2018	Kim	D24/158
D815,064	S	*	4/2018	Garncarz	D14/217
D822,833	S	*	7/2018	Doerre	D24/158
D825,763	S	*	8/2018	Lim	D24/160
D832,822	S	*	11/2018	Cho	D14/217
D840,541	S	*	2/2019	Yanagihara	D24/160
D843,580	S	*	3/2019	Eckert	D24/158
D850,411	S	*	6/2019	Rowe	D14/217
D852,962	S	*	7/2019	Chang	D24/185
D855,190	S	*	7/2019	Wu	D24/185
D868,969	S	*	12/2019	Avranches	D24/158
D872,863	S	*	1/2020	Henderson	D24/160
D875,253	S	*	2/2020	Moon	D24/160
D876,633	S	*	2/2020	Moon	D24/160
D884,900	S	*	5/2020	Shin	D24/158
D901,018	S	*	11/2020	Swen	D24/185
D907,782	S	*	1/2021	Bailey	D24/185
10,921,395	B2	*	2/2021	Foo	A61B 5/0035
D933,231	S	*	10/2021	Marteau	D24/158
2007/0270694	A1	*	11/2007	Pelissier	A61B 8/00 600/443
2008/0132789	A1	*	6/2008	Malchow	A61B 8/0833 600/443

* cited by examiner

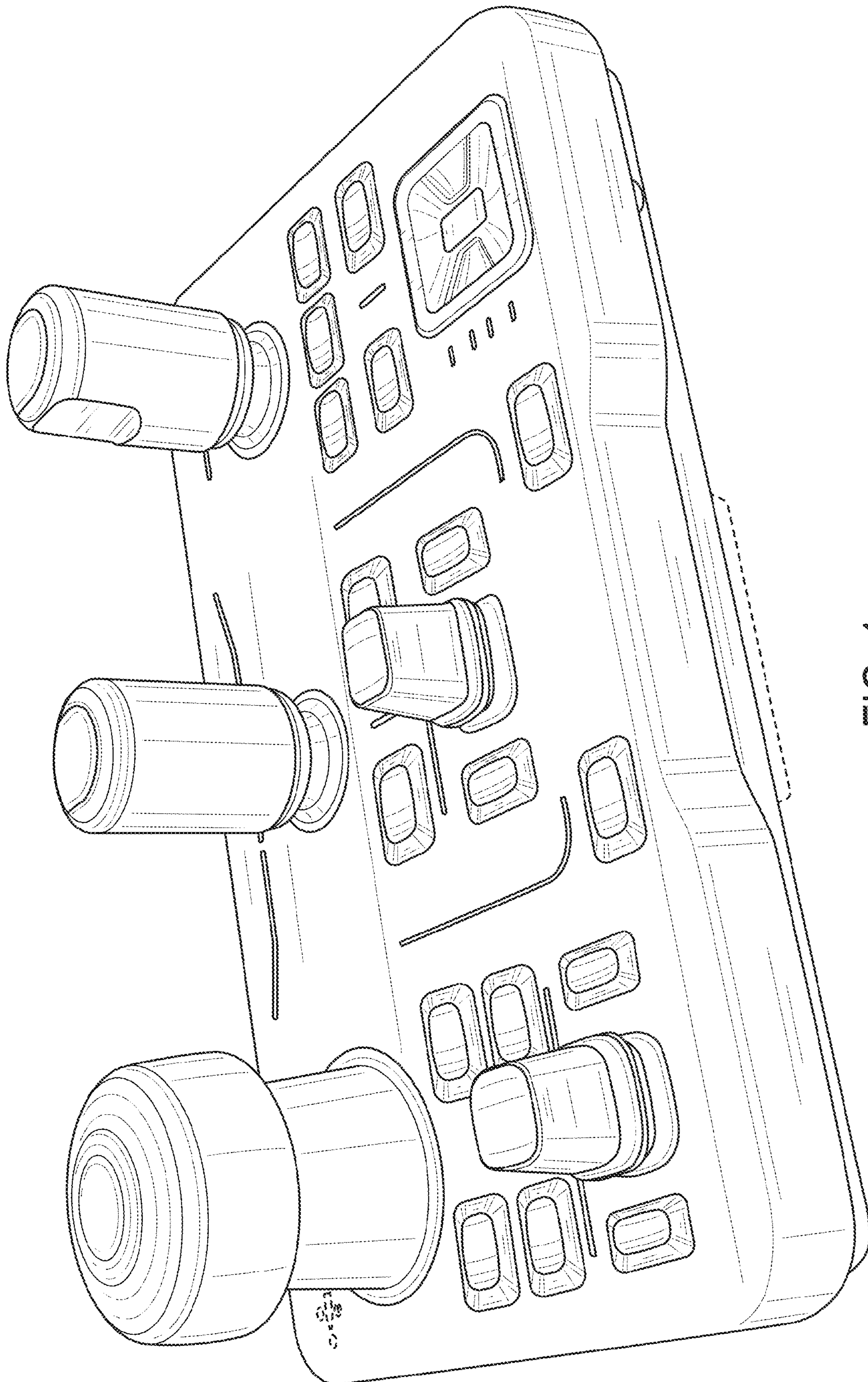


FIG. 1

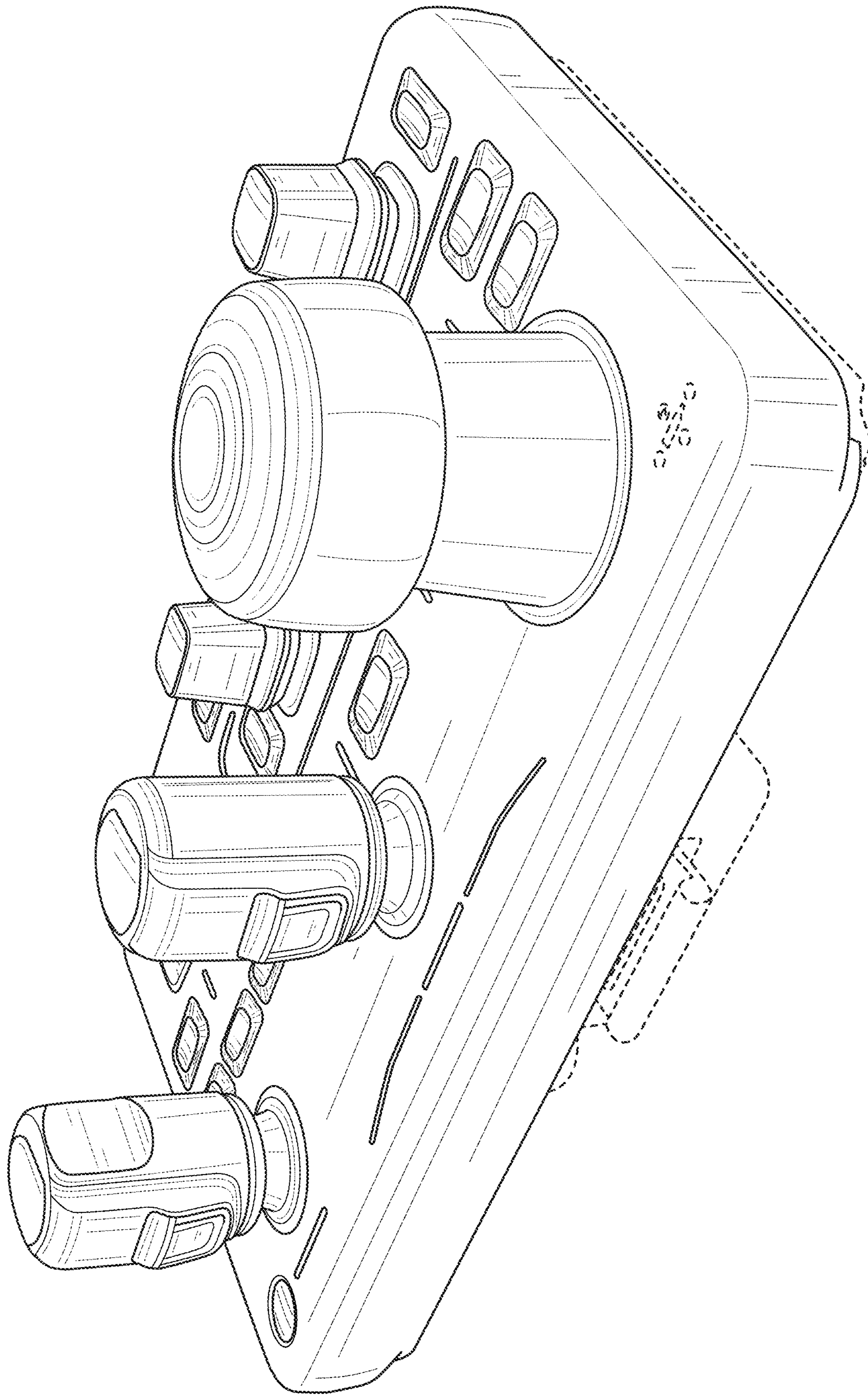


FIG. 2

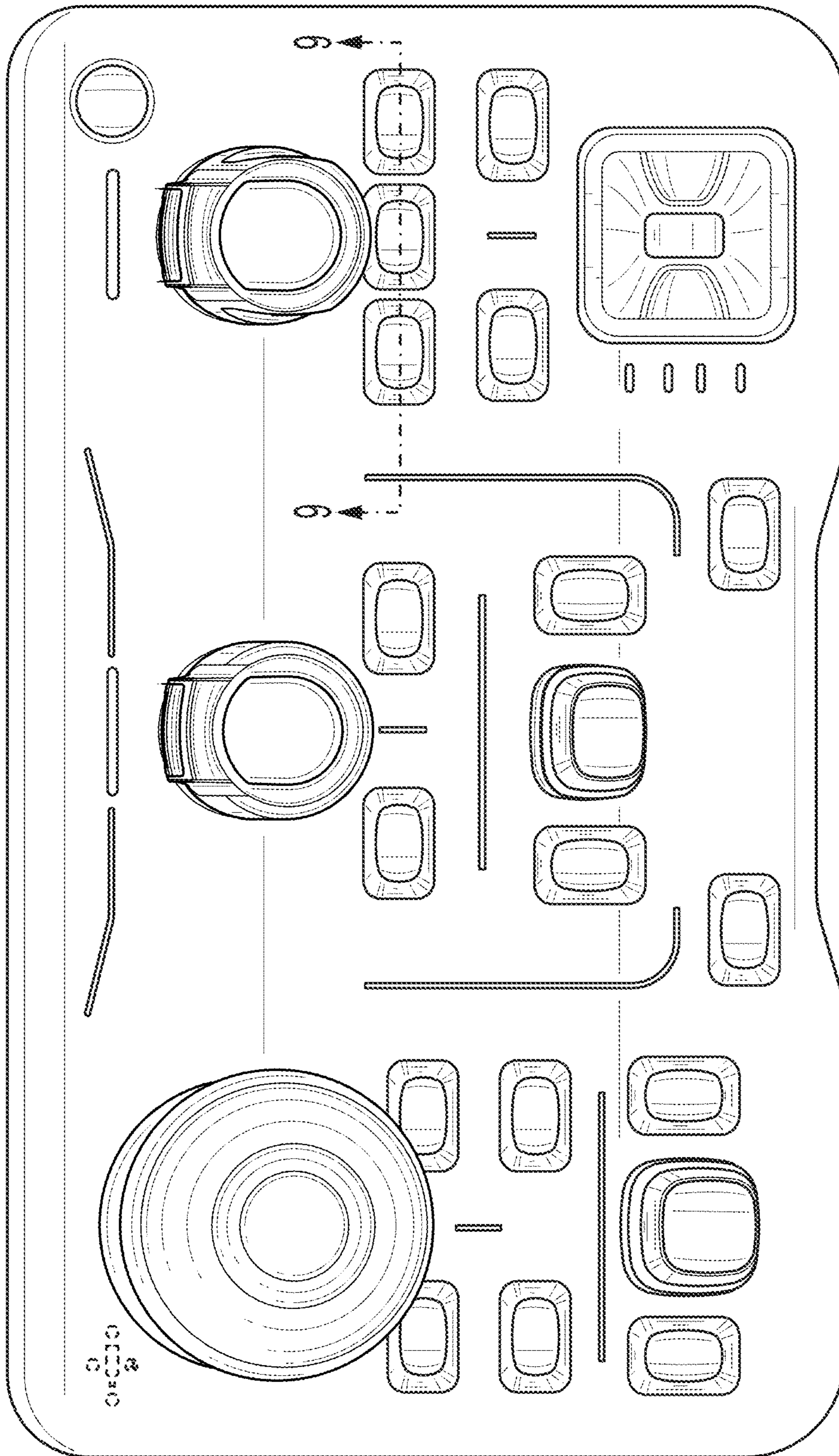


FIG. 3

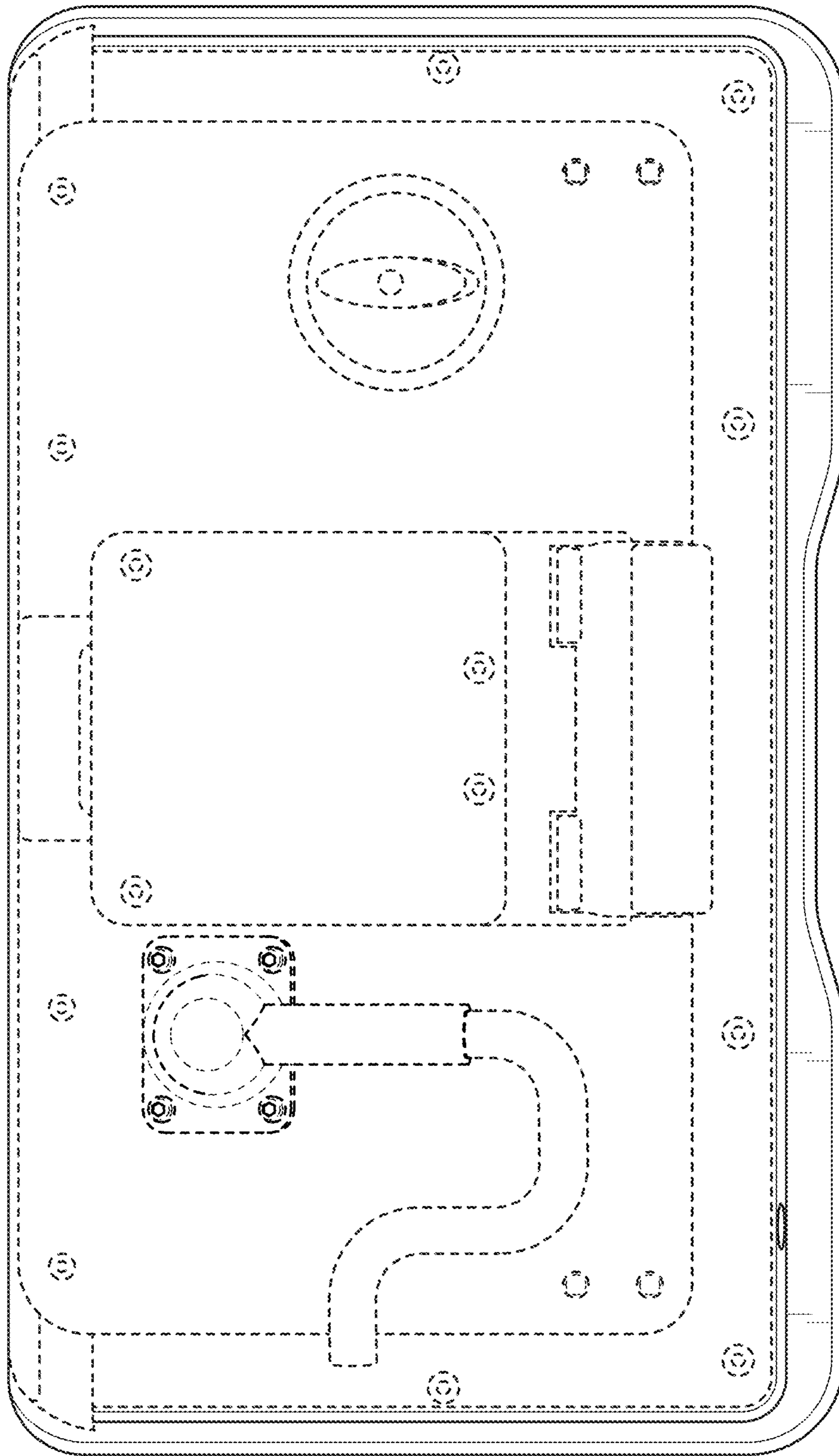


FIG. 4

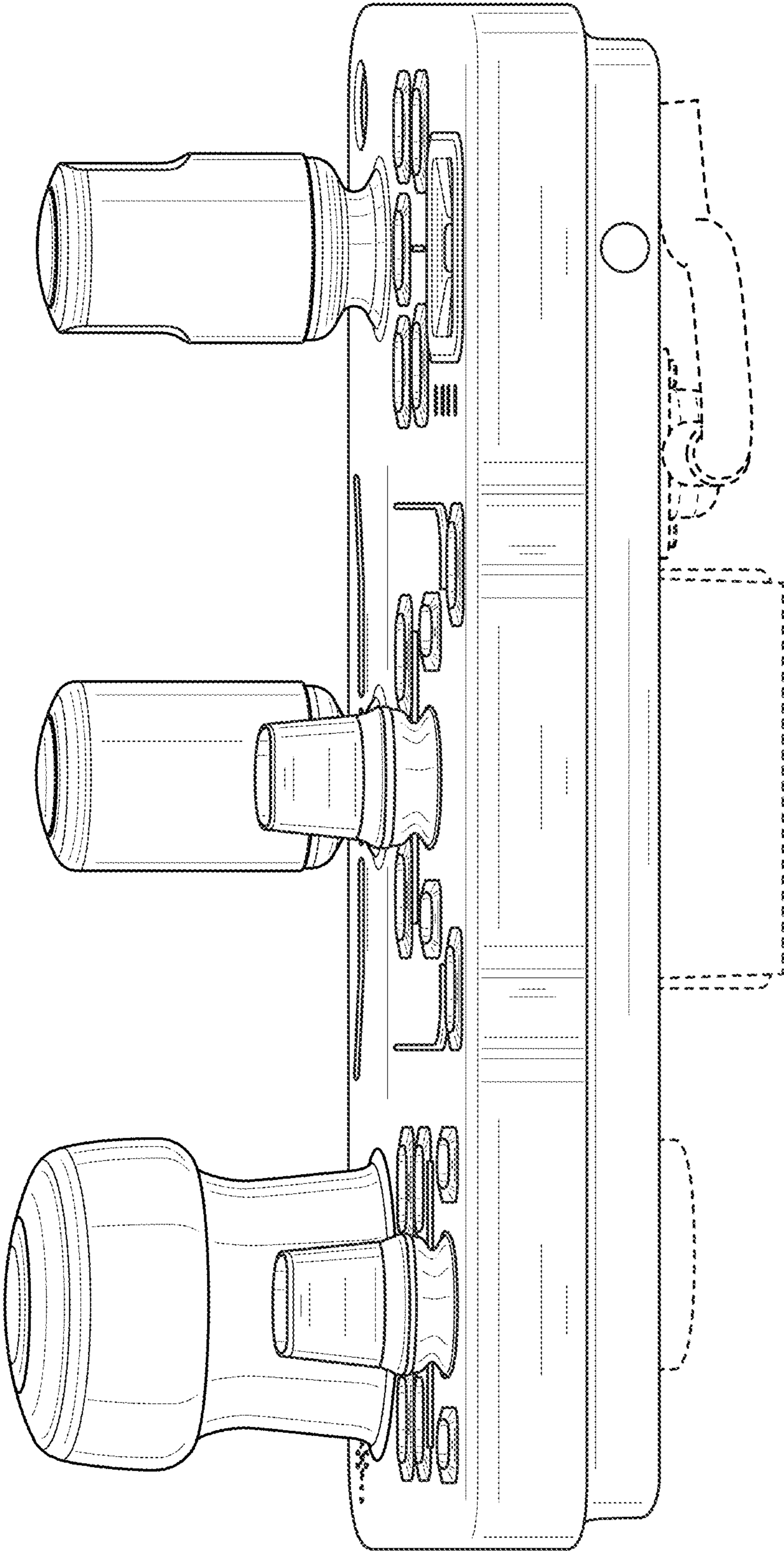


FIG. 5

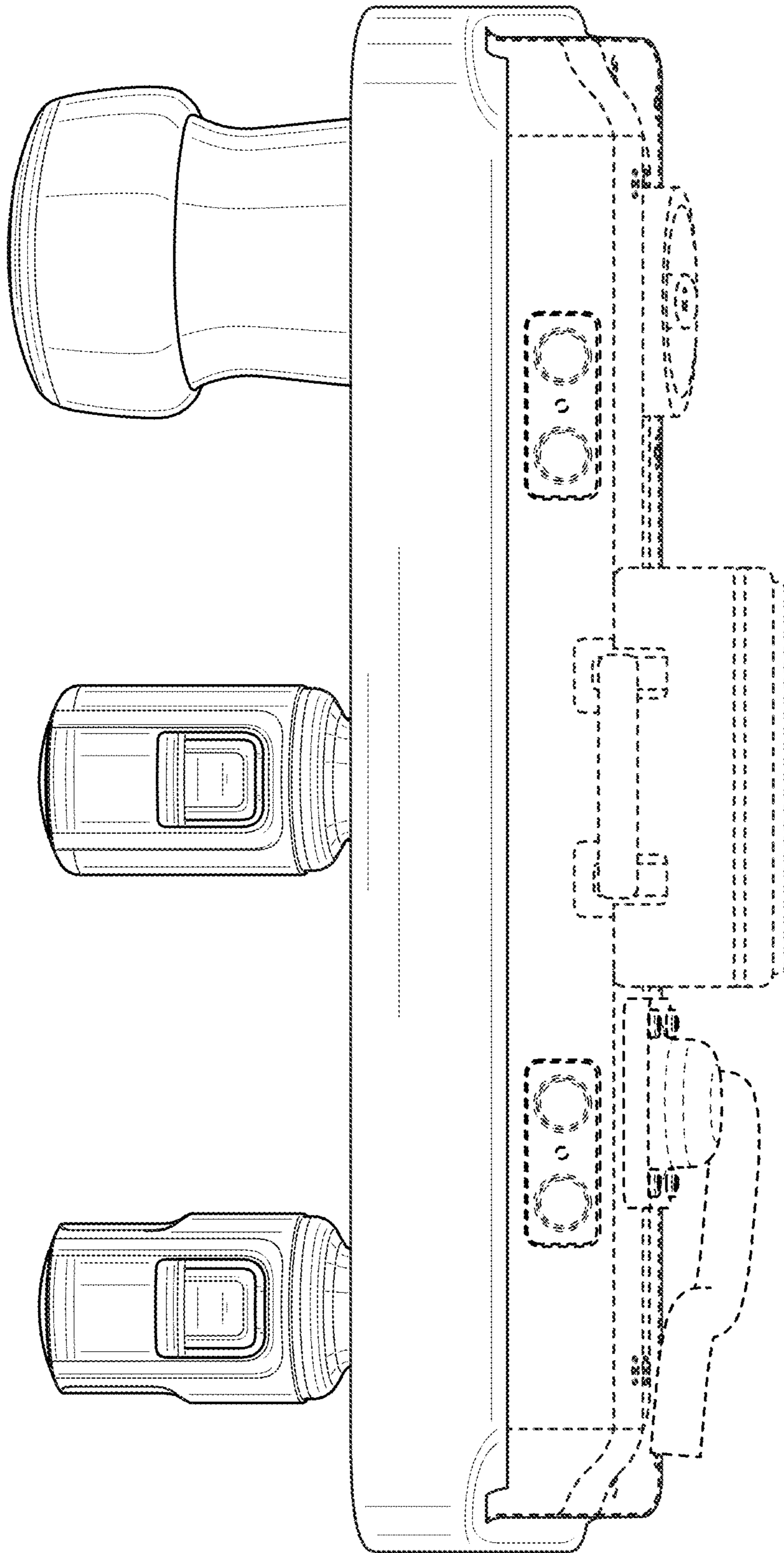


FIG. 6

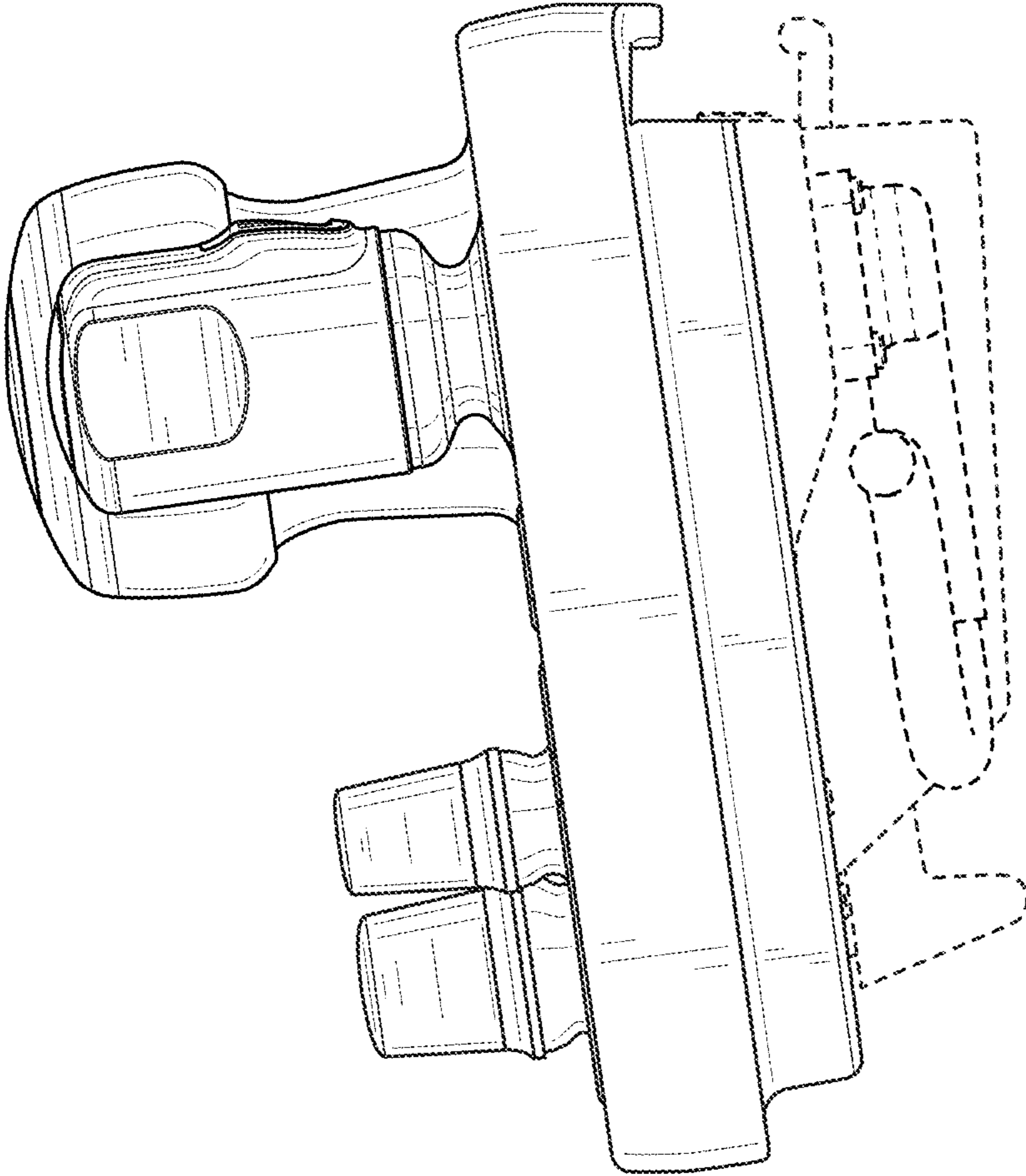


FIG. 7

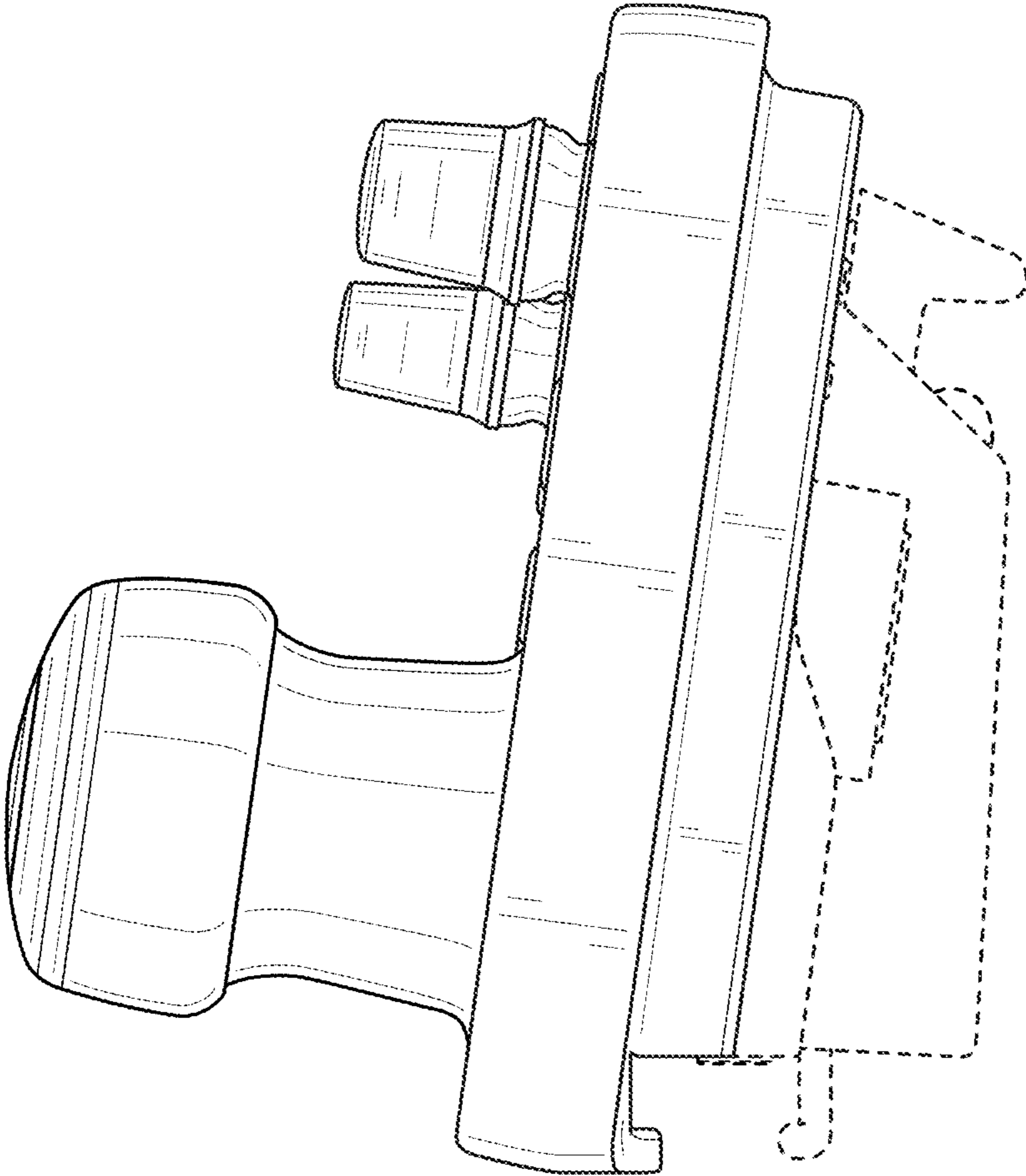


FIG. 8

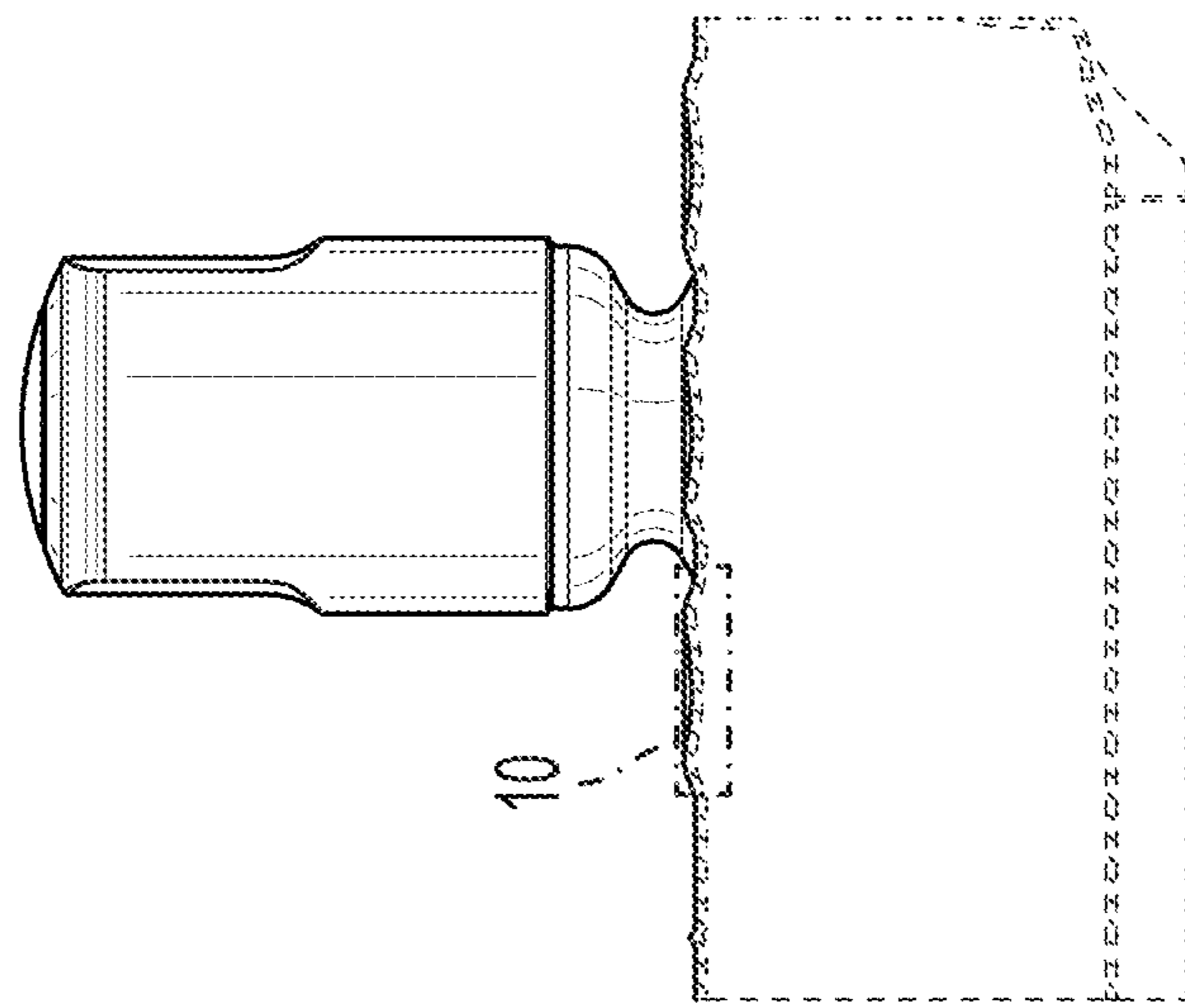


FIG. 9

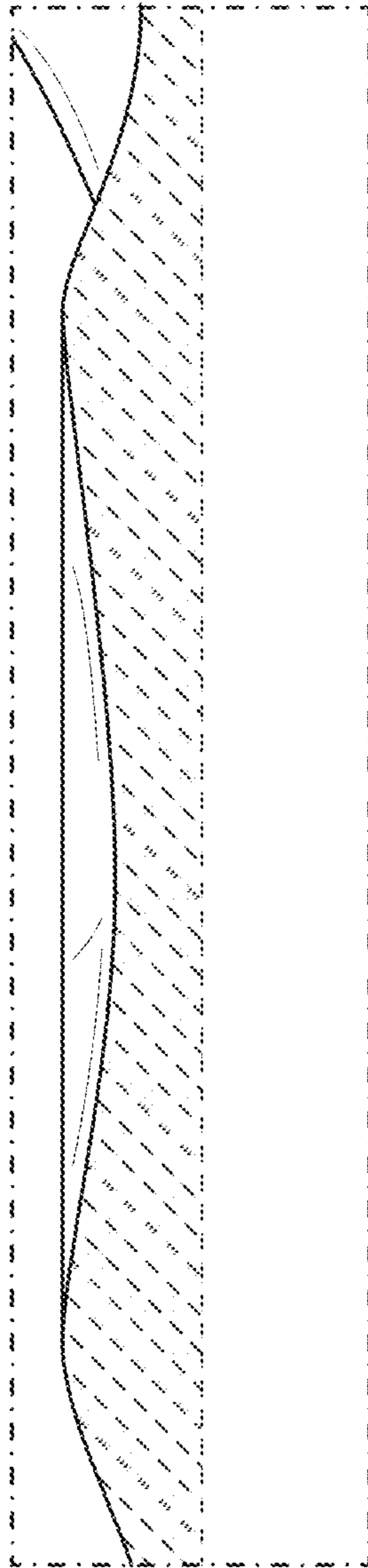


FIG. 10