

US00D945621S

(12) **United States Design Patent**
Phan

(10) **Patent No.:** **US D945,621 S**
(45) **Date of Patent:** **** Mar. 8, 2022**

(54) **SPINAL CAGE**

(71) Applicant: **PROVIDENCE MEDICAL TECHNOLOGY, INC.**, Pleasanton, CA (US)

(72) Inventor: **Christopher U. Phan**, Dublin, CA (US)

(73) Assignee: **Providence Medical Technology, Inc.**, Pleasanton, CA (US)

(**) Term: **15 Years**

(21) Appl. No.: **29/725,912**

(22) Filed: **Feb. 27, 2020**

(51) **LOC (13) Cl.** **24-03**

(52) **U.S. Cl.**
USPC **D24/155**

(58) **Field of Classification Search**
USPC D2/617; D3/201, 203.1, 203.6, 203.7, D3/304, 306, 314; D8/382; D14/205, D14/223; D15/199; D24/101, 102, 104, D24/133, 141, 155, 171, 188, 190, 193, D24/194, 196, 216, 224, 227, 228, 229, D24/231; D29/123
CPC .. A41D 19/00; A41D 19/0017; A41D 19/015; A41D 19/0055; A61B 17/80; A61B 2017/00292; A61B 2017/00796; A61B 2017/00969; A61B 50/30; A61B 50/33; A61B 17/8033; A61B 17/8038; A61B 17/8042; A61B 17/8047; A61B 17/8052; A61B 17/8057; A61B 17/8061; A61B 17/86; A61B 17/68; A61B 17/683; A61B 2017/564; A61F 2/00; A61F 2/02; A61F

(Continued)

(56) **References Cited**

U.S. PATENT DOCUMENTS

1,934,962 A 11/1933 Barry
2,708,376 A 5/1955 Booth

(Continued)

FOREIGN PATENT DOCUMENTS

DE G9304368.6 U1 5/2003
FR 2722980 A1 2/1996

(Continued)

OTHER PUBLICATIONS

US 7,063,700 B2, 06/2006, Michelson (withdrawn)

(Continued)

Primary Examiner — Lauren D McVey

Assistant Examiner — Justin A Johnson

(74) *Attorney, Agent, or Firm* — Dorsey & Whitney LLP

(57) **CLAIM**

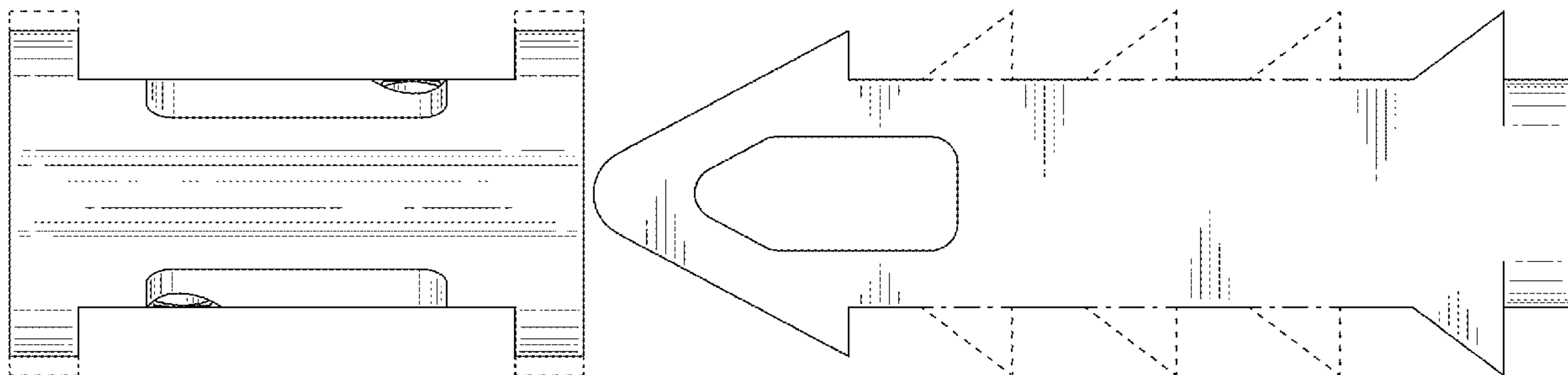
The ornamental design for a spinal cage, as shown and described.

DESCRIPTION

FIG. 1 shows a front-top isometric view of a spinal cage; FIG. 2 shows a rear-bottom isometric view of the spinal cage of FIG. 1

FIG. 3 shows a front view of the spinal cage of FIG. 1; FIG. 4 shows a rear view of the spinal cage of FIG. 1; FIG. 5 shows a right side view of the spinal cage of FIG. 1; FIG. 6 shows a left side view of the spinal cage of FIG. 1; FIG. 7 shows a top view of the spinal cage of FIG. 1; and, FIG. 8 shows a bottom view of the spinal cage of FIG. 1. The broken lines in the drawings illustrate portions of the spinal cage and form no part of the claimed design. The dash-dash broken lines illustrate portions of the spinal cage. The dot-dash lines illustrate the bounds of the claim. None of the broken lines form part of the claimed design.

1 Claim, 6 Drawing Sheets



(58) **Field of Classification Search**

CPC 2002/046; A61F 2/12; A61F 2/20; A61F 2/203; A61F 2/26; A61F 2/28; A61F 2002/2853; A61F 2/30; A61F 2/50; A61F 2002/5038; A61F 2002/5058; A61F 2002/5064; A61F 2/52; A61F 2002/526; A61F 2/54; A61F 2/58; A61F 2/583; A61F 2/60; A61F 2/604; A61F 2/64; A61F 2/66; A61F 2002/6614; A61F 2002/6621; A61F 2002/6628; A61F 2/82; A61F 2/86; A61F 2/88; A61F 2/885; A61F 2/4014; A61F 2002/4018; A61F 2002/4022; A61F 2002/4029; A61F 2002/4033; A61F 2002/4037; A61F 2002/4044; A61F 2002/4051; A61F 2/4059; A61F 2002/4062; A61F 2002/4066; A61F 2002/407; A61F 2002/4074; A61F 2002/4077; A61F 2/4081; A61F 2002/4085; A61F 2002/4088; A61F 2002/4092; A61F 2002/4096; A61F 2/442; A61F 2/4425; A61F 2/4455; A61F 2/4465; A61F 2/447; A61F 2/4611; A61F 2002/2817; A61F 2002/2835; A61F 2002/3083; A61F 2002/30092; A61F 2002/30523; A61F 2002/30538; A61F 2/30771; A61F 2/30942; A61F 2002/30617; A61F 2002/30774; A61F 2002/30784; A61F 2002/30892; A61F 2002/30828; A61F 2002/3008; A61F 2002/30428; A61F 2002/30471; A61F 2002/30507; A61F 2002/30904; A61F 2002/30421; A61F 2002/443; A61N 1/05; A61N 1/0551; A61N 1/20; A61M 16/04

5,772,661 A 6/1998 Michelson
 5,792,044 A 8/1998 Foley et al.
 5,797,909 A 8/1998 Michelson
 5,836,948 A 11/1998 Zucherman et al.
 5,879,353 A 3/1999 Terry
 5,885,299 A 3/1999 Winslow et al.
 5,891,147 A 4/1999 Moskovitz
 5,895,426 A 4/1999 Scarborough et al.
 5,899,908 A 5/1999 Kuslich et al.
 5,928,238 A 7/1999 Scarborough et al.
 5,953,820 A 9/1999 Vasudeva
 5,961,522 A 10/1999 Mehdizadeh
 5,976,146 A 11/1999 Ogawa et al.
 6,008,433 A 12/1999 Stone
 6,033,405 A 3/2000 Winslow et al.
 6,045,580 A 4/2000 Scarborough et al.
 6,063,088 A 5/2000 Winslow
 RE36,758 E 6/2000 Fitz
 6,080,155 A 6/2000 Michelson
 6,090,143 A 7/2000 Meriwether et al.
 6,096,038 A 8/2000 Michelson
 6,099,531 A 8/2000 Bonutti
 6,102,950 A 8/2000 Vaccaro
 6,113,602 A 9/2000 Sand
 6,149,650 A 11/2000 Michelson
 RE37,005 E 12/2000 Michelson et al.
 6,159,245 A 12/2000 Meriwether et al.
 6,176,882 B1 1/2001 Biedermann et al.
 6,179,873 B1 1/2001 Zientek
 6,190,388 B1 2/2001 Michelson et al.
 6,190,414 B1 2/2001 Young et al.
 6,193,757 B1 2/2001 Foley et al.
 6,200,322 B1 3/2001 Branch et al.
 6,210,412 B1 4/2001 Michelson
 RE37,161 E 5/2001 Michelson et al.
 6,224,595 B1 5/2001 Michelson
 6,224,607 B1 5/2001 Michelson
 6,224,630 B1 5/2001 Bao et al.
 6,245,108 B1 6/2001 Biscup
 6,248,110 B1 6/2001 Reiley et al.
 D444,878 S 7/2001 Walter
 D445,188 S 7/2001 Walter
 6,264,656 B1 7/2001 Michelson
 6,267,763 B1 7/2001 Castro
 6,270,498 B1 8/2001 Michelson
 6,283,966 B1 9/2001 Bouffburg
 6,315,795 B1 11/2001 Scarborough et al.
 6,325,827 B1 12/2001 Lin
 6,371,984 B1 4/2002 Van Dyke et al.
 6,371,988 B1 4/2002 Pafford et al.
 6,402,784 B1 6/2002 Wardlaw
 6,423,063 B1 7/2002 Bonutti
 6,423,083 B2 7/2002 Reiley et al.
 6,425,919 B1 7/2002 Lambrecht
 6,436,098 B1 8/2002 Michelson
 6,436,142 B1 8/2002 Paes et al.
 6,443,988 B2 9/2002 Felt et al.
 6,451,023 B1 9/2002 Salazar et al.
 6,454,807 B1 9/2002 Jackson
 6,478,796 B2 11/2002 Zucherman et al.
 6,500,206 B1 12/2002 Bryan
 6,514,256 B2 2/2003 Zucherman et al.
 6,530,955 B2 3/2003 Boyle et al.
 6,558,390 B2 5/2003 Cragg
 6,565,574 B2 5/2003 Michelson
 6,565,605 B2 5/2003 Fallin et al.
 6,569,186 B1 5/2003 Winters et al.
 6,575,919 B1 6/2003 Reiley et al.
 6,575,979 B1 6/2003 Cragg
 6,579,319 B2 6/2003 Goble et al.
 6,582,432 B1 6/2003 Michelson
 6,582,467 B1 6/2003 Teitelbaum et al.
 6,607,530 B1 8/2003 Carl et al.
 6,610,091 B1 8/2003 Reiley
 6,626,905 B1 9/2003 Schmiel et al.
 6,632,235 B2 10/2003 Weikel et al.
 6,635,060 B2 10/2003 Hanson et al.
 6,641,582 B1 11/2003 Hanson et al.
 6,648,893 B2 11/2003 Dudasik

See application file for complete search history.

(56) **References Cited**

U.S. PATENT DOCUMENTS

2,984,241 A	5/1961	Carlson	6,371,984 B1	4/2002	Van Dyke et al.
3,486,505 A	12/1969	Morrison	6,371,988 B1	4/2002	Pafford et al.
4,479,491 A	10/1984	Martin	6,402,784 B1	6/2002	Wardlaw
4,530,355 A	7/1985	Griggs	6,423,063 B1	7/2002	Bonutti
4,604,995 A	8/1986	Stephens et al.	6,423,083 B2	7/2002	Reiley et al.
4,772,287 A	9/1988	Ray et al.	6,425,919 B1	7/2002	Lambrecht
4,877,020 A	10/1989	Vich	6,436,098 B1	8/2002	Michelson
4,878,915 A	11/1989	Brantigan	6,436,142 B1	8/2002	Paes et al.
5,015,247 A	5/1991	Michelson	6,443,988 B2	9/2002	Felt et al.
5,026,373 A	6/1991	Ray et al.	6,451,023 B1	9/2002	Salazar et al.
5,100,405 A	3/1992	McLaren	6,454,807 B1	9/2002	Jackson
5,135,528 A	8/1992	Winston	6,478,796 B2	11/2002	Zucherman et al.
5,192,327 A	3/1993	Brantigan	6,500,206 B1	12/2002	Bryan
5,236,460 A	8/1993	Barber	6,514,256 B2	2/2003	Zucherman et al.
5,443,514 A	8/1995	Steffee	6,530,955 B2	3/2003	Boyle et al.
5,484,437 A	1/1996	Michelson	6,558,390 B2	5/2003	Cragg
5,489,307 A	2/1996	Kuslich et al.	6,565,574 B2	5/2003	Michelson
5,505,732 A	4/1996	Michelson	6,565,605 B2	5/2003	Fallin et al.
5,527,312 A	6/1996	Ray	6,569,186 B1	5/2003	Winters et al.
5,549,679 A	8/1996	Kuslich et al.	6,575,919 B1	6/2003	Reiley et al.
5,554,191 A	9/1996	Lahille et al.	6,575,979 B1	6/2003	Cragg
5,571,191 A	11/1996	Fitz	6,579,319 B2	6/2003	Goble et al.
5,584,832 A	12/1996	Schlapfer et al.	6,582,432 B1	6/2003	Michelson
5,593,409 A	1/1997	Michelson	6,582,467 B1	6/2003	Teitelbaum et al.
5,632,747 A	5/1997	Scarborough et al.	6,607,530 B1	8/2003	Carl et al.
5,649,945 A	7/1997	Ray et al.	6,610,091 B1	8/2003	Reiley
5,653,763 A	8/1997	Errico et al.	6,626,905 B1	9/2003	Schmiel et al.
5,665,122 A	9/1997	Kambin	6,632,235 B2	10/2003	Weikel et al.
5,674,295 A	10/1997	Ray et al.	6,635,060 B2	10/2003	Hanson et al.
5,720,748 A	2/1998	Kuslich et al.	6,641,582 B1	11/2003	Hanson et al.
5,741,253 A	4/1998	Michelson	6,648,893 B2	11/2003	Dudasik

(56)

References Cited

U.S. PATENT DOCUMENTS

6,652,584 B2	11/2003	Michelson	7,491,240 B1	2/2009	Carver et al.
6,663,647 B2	12/2003	Reiley et al.	7,500,992 B2	3/2009	Li
6,666,866 B2	12/2003	Martz et al.	7,517,358 B2	4/2009	Peterson
6,679,886 B2	1/2004	Weikel et al.	7,524,333 B2	4/2009	Lambrecht et al.
6,682,535 B2	1/2004	Hoogland	7,569,054 B2	8/2009	Michelson
6,685,742 B1	2/2004	Jackson	7,569,057 B2	8/2009	Liu et al.
6,709,458 B2	3/2004	Michelson	7,580,743 B2	8/2009	Bourlion et al.
6,712,853 B2	3/2004	Kuslich	7,591,851 B2	9/2009	Winslow et al.
6,719,773 B1	4/2004	Boucher et al.	7,601,170 B2	10/2009	Winslow et al.
6,719,794 B2	4/2004	Gerber et al.	7,608,077 B2	10/2009	Cragg et al.
6,723,095 B2	4/2004	Hammerslag	7,608,107 B2	10/2009	Michelson
6,733,534 B2	5/2004	Sherman	7,615,079 B2	11/2009	Flickinger et al.
6,740,093 B2	5/2004	Hochschuler et al.	7,618,451 B2	11/2009	Berez et al.
6,751,875 B2	6/2004	Jones	7,632,291 B2	12/2009	Stephens et al.
6,770,074 B2	8/2004	Michelson	7,641,664 B2	1/2010	Pagano
6,793,679 B2	9/2004	Michelson	7,648,509 B2	1/2010	Stark
6,805,715 B2	10/2004	Reuter et al.	7,648,523 B2	1/2010	Mirkovic et al.
6,808,537 B2	10/2004	Michelson	7,655,027 B2	2/2010	Michelson
6,823,871 B2	11/2004	Schmieding	7,655,043 B2	2/2010	Peterman et al.
6,840,941 B2	1/2005	Rogers et al.	7,662,173 B2	2/2010	Cragg et al.
6,851,430 B2	2/2005	Tsou	D611,147 S	3/2010	Hanson et al.
6,875,213 B2	4/2005	Michelson	7,682,378 B2	3/2010	Truckai et al.
6,899,719 B2	5/2005	Reiley et al.	7,686,805 B2	3/2010	Michelson
6,921,403 B2	7/2005	Cragg et al.	7,686,807 B2	3/2010	Padget et al.
6,923,813 B2	8/2005	Phillips et al.	7,699,878 B2	4/2010	Pavlov et al.
6,958,077 B2	10/2005	Suddaby	D615,653 S	5/2010	Horton
6,962,606 B2	11/2005	Michelson	7,708,761 B2	5/2010	Petersen
6,964,686 B2	11/2005	Gordon	7,722,619 B2	5/2010	Michelson
6,966,930 B2	11/2005	Arnin et al.	D619,719 S	7/2010	Pannu
6,972,035 B2	12/2005	Michelson	D620,113 S *	7/2010	Courtney D24/155
6,974,478 B2	12/2005	Reiley et al.	7,763,024 B2	7/2010	Bertagnoli et al.
6,979,333 B2	12/2005	Hammerslag	7,763,050 B2	7/2010	Winslow et al.
6,986,772 B2	1/2006	Michelson	7,776,090 B2	8/2010	Winslow et al.
7,001,385 B2	2/2006	Bonutti	D623,748 S	9/2010	Horton et al.
7,008,453 B1	3/2006	Michelson	D623,749 S	9/2010	Horton et al.
7,033,362 B2	4/2006	McGahan et al.	7,789,898 B2	9/2010	Peterman
7,033,392 B2	4/2006	Schmiel et al.	D627,468 S	11/2010	Richter et al.
7,033,394 B2	4/2006	Michelson	7,824,431 B2	11/2010	McCormack
7,066,961 B2	6/2006	Michelson	7,837,713 B2	11/2010	Peterson
D524,443 S	7/2006	Blain	7,846,183 B2	12/2010	Blain
7,083,623 B2	8/2006	Michelson	7,846,184 B2	12/2010	Sasso et al.
7,090,698 B2	8/2006	Fallin et al.	7,850,733 B2	12/2010	Baynham et al.
7,096,972 B2	8/2006	Orozco, Jr.	7,862,589 B2	1/2011	Thramann
7,101,398 B2	9/2006	Dooris et al.	7,867,277 B1	1/2011	Tohmeh
7,115,128 B2	10/2006	Michelson	D631,967 S	2/2011	Horton
7,118,598 B2	10/2006	Michelson	7,879,098 B1	2/2011	Simmons, Jr.
7,128,760 B2	10/2006	Michelson	7,887,565 B2	2/2011	Michelson
7,156,877 B2	1/2007	Lotz et al.	7,892,261 B2	2/2011	Bonutti
7,166,110 B2	1/2007	Yundt	7,892,286 B2	2/2011	Michelson
7,175,023 B2	2/2007	Martin	7,896,803 B2	3/2011	Schara et al.
7,179,263 B2	2/2007	Zdeblick et al.	7,896,903 B2	3/2011	Link
7,207,991 B2	4/2007	Michelson	7,901,439 B2	3/2011	Horton
D541,940 S	5/2007	Blain	7,914,530 B2	3/2011	Michelson
7,220,280 B2	5/2007	Kast et al.	7,918,891 B1	4/2011	Curran et al.
7,255,703 B2	8/2007	Mujwid et al.	7,922,729 B2	4/2011	Michelson
7,261,739 B2	8/2007	Ralph et al.	7,922,766 B2	4/2011	Grob et al.
7,264,622 B2	9/2007	Michelson	7,935,136 B2	5/2011	Alamin et al.
7,273,498 B2	9/2007	Bianchi et al.	7,938,857 B2	5/2011	Krueger et al.
7,288,093 B2	10/2007	Michelson	7,942,903 B2	5/2011	Moskowitz et al.
7,291,149 B1	11/2007	Michelson	7,988,712 B2	8/2011	Hale et al.
7,300,440 B2	11/2007	Zdeblick et al.	7,988,714 B2	8/2011	Puekert et al.
7,326,211 B2	2/2008	Padget et al.	7,998,174 B2	8/2011	Malandain et al.
7,326,214 B2	2/2008	Michelson	8,007,534 B2	8/2011	Michelson
7,371,238 B2	5/2008	Soboleski et al.	8,029,540 B2	10/2011	Winslow et al.
7,399,303 B2	7/2008	Michelson	8,043,334 B2	10/2011	Fisher et al.
7,410,501 B2	8/2008	Michelson	8,052,728 B2	11/2011	Hestad
7,431,722 B1	10/2008	Michelson	8,062,303 B2	11/2011	Berry et al.
7,445,636 B2	11/2008	Michelson	8,066,705 B2	11/2011	Michelson
7,452,359 B1	11/2008	Michelson	D650,481 S	12/2011	Gottlieb et al.
7,452,369 B2	11/2008	Barry	8,097,034 B2	1/2012	Michelson
7,465,304 B1	12/2008	Haufe et al.	8,100,944 B2	1/2012	Laurysen et al.
7,476,226 B2	1/2009	Weikel et al.	D653,757 S	2/2012	Binder
7,476,251 B2	1/2009	Zucherman et al.	8,114,158 B2	2/2012	Carl et al.
7,479,160 B2	1/2009	Branch et al.	8,118,838 B2	2/2012	Winslow et al.
7,491,205 B1	2/2009	Michelson	8,128,660 B2	3/2012	Mitchel et al.
			8,133,261 B2	3/2012	Fisher et al.
			8,142,503 B2	3/2012	Malone
			8,147,553 B2	4/2012	Vresilovic et al.
			8,162,981 B2	4/2012	Vestgaarden

(56)

References Cited

U.S. PATENT DOCUMENTS

8,172,877 B2	5/2012	Winslow et al.	2002/0068941 A1	6/2002	Hanson et al.
8,177,872 B2	5/2012	Nelson et al.	2002/0107519 A1	8/2002	Dixon et al.
8,197,513 B2	6/2012	Fisher et al.	2002/0143343 A1	10/2002	Castro
8,206,418 B2	6/2012	Triplett et al.	2002/0147496 A1	10/2002	Belef et al.
8,267,966 B2	9/2012	McCormack et al.	2002/0147497 A1	10/2002	Belef et al.
D674,900 S	1/2013	Janice et al.	2002/0165612 A1	11/2002	Gerber et al.
8,348,979 B2	1/2013	McCormack	2002/0169471 A1	11/2002	Ferdinand
8,361,152 B2	1/2013	McCormack et al.	2002/0177866 A1	11/2002	Weikel et al.
8,366,748 B2	2/2013	Kleiner	2003/0023312 A1	1/2003	Thalgott
8,382,767 B2	2/2013	Wassinger et al.	2003/0028251 A1	2/2003	Mathews
D677,791 S	3/2013	Danacioglu et al.	2003/0032962 A1	2/2003	McGahan et al.
8,394,107 B2	3/2013	Fanger et al.	2003/0033017 A1	2/2003	Lotz et al.
8,394,129 B2	3/2013	Morgenstern et al.	2003/0105526 A1	6/2003	Bryant et al.
D681,205 S	4/2013	Farris et al.	2003/0109928 A1	6/2003	Pasquet et al.
8,425,558 B2	4/2013	McCormack et al.	2003/0139816 A1	7/2003	Michelson
8,512,347 B2	8/2013	McCormack et al.	2003/0144737 A1	7/2003	Sherman
8,523,908 B2	9/2013	Malone	2003/0149438 A1	8/2003	Nichols et al.
8,529,609 B2	9/2013	Helgerson et al.	2003/0158553 A1	8/2003	Michelson
8,623,054 B2	1/2014	McCormack et al.	2003/0225416 A1	12/2003	Bonvallet et al.
8,668,722 B2	3/2014	Pavlov et al.	2004/0059337 A1	3/2004	Hanson et al.
8,753,345 B2	6/2014	McCormack et al.	2004/0073217 A1	4/2004	Michelson
8,753,347 B2	6/2014	McCormack et al.	2004/0087948 A1	5/2004	Suddaby
8,764,755 B2	7/2014	Michelson	2004/0087956 A1	5/2004	Weikel et al.
8,828,062 B2	9/2014	McCormack et al.	2004/0106999 A1	6/2004	Mathews
8,834,530 B2	9/2014	McCormack	2004/0133277 A1	7/2004	Michelson
8,845,727 B2	9/2014	Gottlieb et al.	2004/0133280 A1	7/2004	Trieu
8,870,882 B2	10/2014	Kleiner	2004/0162562 A1	8/2004	Martz
D723,690 S	3/2015	McCormack et al.	2004/0215344 A1	10/2004	Hochshculer et al.
D723,691 S	3/2015	McCormack et al.	2005/0010294 A1	1/2005	Michelson
8,998,905 B2	4/2015	Marik et al.	2005/0015097 A1	1/2005	Mujwid et al.
9,005,288 B2	4/2015	Mccormack et al.	2005/0015149 A1	1/2005	Michelson
9,011,492 B2	4/2015	McCormack et al.	2005/0027358 A1	2/2005	Suddaby
D732,667 S	6/2015	McCormack et al.	2005/0033432 A1	2/2005	Gordon et al.
9,186,193 B2	11/2015	Kleiner et al.	2005/0038511 A1	2/2005	Martz et al.
D745,156 S	12/2015	McCormack et al.	2005/0049705 A1	3/2005	Hale et al.
9,211,198 B2	12/2015	Michelson	2005/0055096 A1	3/2005	Serhan et al.
9,220,608 B2	12/2015	McKay	2005/0065518 A1	3/2005	Michelson
D750,249 S	2/2016	Grimberg, Jr. et al.	2005/0065519 A1	3/2005	Michelson
9,271,765 B2	3/2016	Blain	2005/0065608 A1	3/2005	Michelson
9,333,086 B2 *	5/2016	McCormack A61F 2/4405	2005/0065609 A1	3/2005	Wardlaw
9,358,127 B2	6/2016	Duffield et al.	2005/0080422 A1	4/2005	Otte et al.
9,381,049 B2 *	7/2016	McCormack A61B 17/025	2005/0090829 A1	4/2005	Martz et al.
9,427,264 B2	8/2016	Kleiner et al.	2005/0090901 A1	4/2005	Studer
9,504,583 B2	11/2016	Blain	2005/0119680 A1	6/2005	Dykes
9,622,791 B2	4/2017	Mccormack et al.	2005/0124993 A1	6/2005	Chappuis
9,622,873 B2	4/2017	Mccormack	2005/0149192 A1	7/2005	Zucherman et al.
9,622,874 B2	4/2017	Mccormack et al.	2005/0159650 A1	7/2005	Raymond et al.
9,629,665 B2	4/2017	Mccormack et al.	2005/0159746 A1	7/2005	Grob et al.
9,717,403 B2	8/2017	Kleiner et al.	2005/0177240 A1	8/2005	Blain
9,937,053 B2 *	4/2018	Melkent A61F 2/4455	2005/0182417 A1	8/2005	Pagano
10,039,649 B2	8/2018	Mccormack et al.	2005/0209698 A1	9/2005	Gordon et al.
10,149,673 B2	12/2018	Mccormack et al.	2005/0216018 A1	9/2005	Sennett
10,172,721 B2	1/2019	Mccormack et al.	2005/0234455 A1	10/2005	Binder et al.
D841,165 S *	2/2019	McCormack D24/155	2005/0240188 A1	10/2005	Chow et al.
D841,167 S *	2/2019	Ricca D24/155	2005/0251146 A1	11/2005	Martz et al.
10,201,375 B2	2/2019	Mccormack et al.	2005/0251257 A1	11/2005	Mitchell et al.
10,206,787 B2	2/2019	Voellmicke	2005/0267480 A1	12/2005	Suddaby
10,219,910 B2	3/2019	Mccormack	2006/0004367 A1	1/2006	Alamin et al.
10,226,285 B2	3/2019	Mccormack et al.	2006/0015184 A1	1/2006	Winterbottom et al.
10,238,501 B2	3/2019	Mccormack et al.	2006/0036243 A1	2/2006	Sasso et al.
10,327,913 B2 *	6/2019	Palmatier A61F 2/447	2006/0036247 A1	2/2006	Michelson
10,456,175 B2	10/2019	McCormack et al.	2006/0036323 A1	2/2006	Carl et al.
10,568,666 B2	2/2020	Mccormack et al.	2006/0041311 A1	2/2006	McLeer
D877,909 S *	3/2020	Linder D24/155	2006/0058793 A1	3/2006	Michelson
10,588,672 B2	3/2020	Mccormack et al.	2006/0058878 A1	3/2006	Michelson
D884,895 S	5/2020	Mccormack et al.	2006/0069442 A1	3/2006	Michelson
10,653,535 B2 *	5/2020	McCormack A61B 17/7074	2006/0079905 A1	4/2006	Beyar et al.
D887,552 S *	6/2020	Tanaka D24/155	2006/0079962 A1	4/2006	Michelson
10,682,243 B2	6/2020	Phan et al.	2006/0085068 A1	4/2006	Barry
D911,525 S *	2/2021	Tanaka D24/155	2006/0085074 A1	4/2006	Raiszadeh
RE48,501 E *	4/2021	McCormack D24/155	2006/0095028 A1	5/2006	Bleich
2001/0004710 A1	6/2001	Felt et al.	2006/0095036 A1	5/2006	Hammerslag
2001/0047208 A1	11/2001	Michelson	2006/0111779 A1	5/2006	Peterson
2001/0053914 A1	12/2001	Landry et al.	2006/0111780 A1	5/2006	Petersen
2002/0026195 A1	2/2002	Layne et al.	2006/0111781 A1	5/2006	Petersen
			2006/0142762 A1	6/2006	Michelson
			2006/0149279 A1	7/2006	Mathews
			2006/0149289 A1	7/2006	Winslow et al.
			2006/0184172 A1	8/2006	Michelson

(56)

References Cited

U.S. PATENT DOCUMENTS

2006/0189991	A1	8/2006	Bickley	2008/0255667	A1	10/2008	Horton
2006/0190081	A1	8/2006	Kraus et al.	2008/0275455	A1	11/2008	Berry et al.
2006/0195109	A1	8/2006	McGahan et al.	2008/0287955	A1	11/2008	Michelson
2006/0200137	A1	9/2006	Soboleski et al.	2008/0300685	A1	12/2008	Carls et al.
2006/0200138	A1	9/2006	Michelson	2008/0306537	A1	12/2008	Culbert
2006/0200139	A1	9/2006	Michelson	2008/0312744	A1	12/2008	Vresilovic et al.
2006/0206118	A1	9/2006	Kim et al.	2009/0131986	A1	5/2009	Lee et al.
2006/0217812	A1	9/2006	Lambrecht et al.	2009/0138053	A1	5/2009	Assell et al.
2006/0229627	A1	10/2006	Hunt et al.	2009/0177205	A1	7/2009	McCormack et al.
2006/0235391	A1	10/2006	Sutterlin, III	2009/0177215	A1	7/2009	Stack et al.
2006/0241597	A1	10/2006	Mitchell et al.	2009/0177237	A1	7/2009	Zucherman et al.
2006/0241626	A1	10/2006	McGahan et al.	2009/0234397	A1	9/2009	Petersen
2006/0241758	A1	10/2006	Peterman et al.	2009/0248076	A1	10/2009	Reynolds et al.
2006/0247632	A1	11/2006	Winslow et al.	2009/0263461	A1	10/2009	McKay
2006/0247633	A1	11/2006	Winslow et al.	2009/0270929	A1	10/2009	Suddaby et al.
2006/0247650	A1	11/2006	Yerby et al.	2009/0275994	A1	11/2009	Phan et al.
2006/0259142	A1	11/2006	Dooris et al.	2009/0306671	A1	12/2009	McCormack et al.
2006/0271195	A1	11/2006	Thramann	2009/0312763	A1	12/2009	McCormack et al.
2006/0276790	A1	12/2006	Dawson et al.	2010/0069912	A1	3/2010	McCormack et al.
2006/0276801	A1	12/2006	Yerby et al.	2010/0082065	A1	4/2010	Butler et al.
2006/0276897	A1	12/2006	Winslow et al.	2010/0086185	A1	4/2010	Weiss
2006/0293663	A1	12/2006	Walkenhorst et al.	2010/0093829	A1	4/2010	Gorman
2007/0016195	A1	1/2007	Winslow et al.	2010/0111829	A1	5/2010	Drapeau et al.
2007/0016196	A1	1/2007	Winslow et al.	2010/0114318	A1	5/2010	Gittings et al.
2007/0016218	A1	1/2007	Winslow et al.	2010/0145391	A1	6/2010	Kleiner
2007/0032871	A1	2/2007	Michelson	2010/0145459	A1	6/2010	McDonough et al.
2007/0043362	A1	2/2007	Malandain et al.	2010/0191241	A1	7/2010	McCormack et al.
2007/0050031	A1	3/2007	Khosrowshahi	2010/0211104	A1	8/2010	Moumene et al.
2007/0055245	A1	3/2007	Sasso et al.	2010/0286783	A1	11/2010	Lechmann et al.
2007/0055263	A1	3/2007	Way et al.	2011/0004247	A1	1/2011	Lechmann et al.
2007/0073402	A1	3/2007	Vresilovic et al.	2011/0022089	A1	1/2011	Assell et al.
2007/0083265	A1	4/2007	Malone	2011/0054613	A1	3/2011	Hansen
2007/0123863	A1	5/2007	Winslow et al.	2011/0077686	A1	3/2011	Mishra et al.
2007/0123888	A1	5/2007	Bleich et al.	2011/0082548	A1	4/2011	Assell et al.
2007/0135814	A1	6/2007	Farris	2011/0144755	A1	6/2011	Baynham et al.
2007/0135921	A1	6/2007	Park	2011/0184470	A1	7/2011	Gorek et al.
2007/0149976	A1	6/2007	Hale et al.	2011/0190821	A1	8/2011	Chin et al.
2007/0149983	A1	6/2007	Link	2011/0245930	A1	10/2011	Alley et al.
2007/0150061	A1	6/2007	Trieu	2011/0295327	A1	12/2011	Moskowitz et al.
2007/0161991	A1	7/2007	Altarac et al.	2011/0307061	A1	12/2011	Assell et al.
2007/0162138	A1	7/2007	Heinz	2012/0010659	A1	1/2012	Angert et al.
2007/0179617	A1	8/2007	Brown et al.	2012/0010662	A1	1/2012	O'Neil et al.
2007/0179619	A1	8/2007	Grob et al.	2012/0010669	A1	1/2012	O'Neil et al.
2007/0191861	A1	8/2007	Allard et al.	2012/0065613	A1	3/2012	Pepper et al.
2007/0225721	A1	9/2007	Thelen et al.	2012/0130496	A1	5/2012	Duffield et al.
2007/0225812	A1	9/2007	Gill	2012/0143334	A1	6/2012	Boyce et al.
2007/0244483	A9	10/2007	Winslow et al.	2012/0179259	A1	7/2012	McDonough et al.
2007/0250167	A1	10/2007	Bray et al.	2012/0215259	A1	8/2012	Cannestra
2007/0276491	A1	11/2007	Ahrens	2012/0265250	A1	10/2012	Ah
2007/0282441	A1	12/2007	Stream et al.	2012/0283776	A1	11/2012	Mishra
2007/0288014	A1	12/2007	Shaddock et al.	2012/0323242	A1	12/2012	Tsuang et al.
2007/0293949	A1	12/2007	Salerni et al.	2013/0006364	A1	1/2013	McCormack et al.
2007/0299451	A1	12/2007	Tulkis	2013/0012994	A1	1/2013	McCormack et al.
2008/0015581	A1	1/2008	Eckman	2013/0013070	A1	1/2013	McCormack et al.
2008/0021457	A1	1/2008	Anderson et al.	2013/0018474	A1	1/2013	McCormack et al.
2008/0021464	A1	1/2008	Morin et al.	2013/0023889	A1	1/2013	Blain et al.
2008/0058954	A1	3/2008	Trieu	2013/0023995	A1	1/2013	McCormack et al.
2008/0065219	A1	3/2008	Dye	2013/0023996	A1	1/2013	McCormack et al.
2008/0097436	A1	4/2008	Culbert et al.	2013/0030440	A1	1/2013	McCormack et al.
2008/0108996	A1	5/2008	Padget et al.	2013/0030532	A1	1/2013	McCormack et al.
2008/0140207	A1	6/2008	Olmos et al.	2013/0110168	A1	5/2013	McCormack et al.
2008/0154377	A1	6/2008	Voellmicke	2013/0110243	A1	5/2013	Patterson et al.
2008/0161810	A1	7/2008	Melkent	2013/0123922	A1	5/2013	McCormack et al.
2008/0161929	A1	7/2008	McCormack et al.	2013/0144389	A1	6/2013	Bonutti
2008/0167657	A1	7/2008	Greenhaigh	2013/0226239	A1	8/2013	Altarac et al.
2008/0177311	A1	7/2008	Winslow et al.	2013/0238095	A1	9/2013	Pavento et al.
2008/0208341	A1	8/2008	McCormack et al.	2013/0253649	A1	9/2013	Davis
2008/0216846	A1	9/2008	Levin	2013/0274763	A1	10/2013	Drapeau et al.
2008/0234677	A1	9/2008	Dahners et al.	2013/0310839	A1	11/2013	McCormack et al.
2008/0234758	A1	9/2008	Fisher et al.	2013/0310878	A1	11/2013	McCormack et al.
2008/0249571	A1	10/2008	Sasso et al.	2013/0310943	A1	11/2013	McCormack et al.
2008/0255564	A1	10/2008	Michelson	2013/0317548	A1	11/2013	Malone
2008/0255618	A1	10/2008	Fisher et al.	2013/0338720	A1	12/2013	Kleiner
2008/0255622	A1	10/2008	Mickiewicz et al.	2014/0012318	A1	1/2014	Goel
2008/0255666	A1	10/2008	Fisher et al.	2014/0025113	A1	1/2014	McCormack et al.
				2014/0100657	A1	4/2014	McCormack et al.
				2014/0114415	A1	4/2014	Tyber
				2014/0135930	A1	5/2014	Georges
				2014/0172103	A1	6/2014	O'neil et al.

(56)

References Cited

U.S. PATENT DOCUMENTS

2014/0228959 A1 8/2014 Niemiec et al.
 2014/0296916 A1 10/2014 McCormack et al.
 2014/0379087 A1 12/2014 McCormack
 2015/0025635 A1 1/2015 Laubert
 2015/0100129 A1 4/2015 Waugh et al.
 2015/0201977 A1 7/2015 McCormack et al.
 2015/0297357 A1 10/2015 McCormack et al.
 2015/0328005 A1 11/2015 Padovani et al.
 2015/0328010 A1 11/2015 Martynova et al.
 2015/0342648 A1 12/2015 McCormack et al.
 2015/0342649 A1 12/2015 McCormack et al.
 2016/0008040 A1 1/2016 McCormack et al.
 2016/0242754 A1 8/2016 McCormack et al.
 2016/0250035 A1 9/2016 De Villiers et al.
 2016/0317316 A1* 11/2016 McCormack A61B 17/1659
 2016/0331553 A1 11/2016 Liou et al.
 2017/0027713 A1 2/2017 Kleiner
 2017/0135733 A1 5/2017 Donner et al.
 2017/0189199 A1 7/2017 Maier et al.
 2017/0216044 A1 8/2017 McCormack
 2017/0281360 A1 10/2017 Seifert
 2017/0348027 A1 12/2017 McCormack et al.
 2017/0354444 A1 12/2017 McCormack et al.
 2017/0360571 A1 12/2017 Mesiwala
 2018/0161077 A1 6/2018 McCormack et al.
 2018/0303631 A1 10/2018 Phan et al.
 2019/0209151 A1 7/2019 McCormack et al.
 2019/0239932 A1* 8/2019 McCormack A61F 2/28
 2019/0240041 A1 8/2019 McCormack et al.
 2019/0247099 A1 8/2019 McCormack et al.
 2019/0307571 A1 10/2019 McCormack
 2019/0307572 A1 10/2019 McCormack et al.
 2019/0350626 A1 11/2019 McCormack et al.
 2020/0085475 A1 3/2020 McCormack et al.
 2020/0155205 A1 5/2020 Tanaka et al.
 2020/0289285 A1 9/2020 Siemionow et al.
 2020/0375633 A1 12/2020 McCormack et al.
 2021/0022881 A1 1/2021 McCormack et al.
 2021/0059833 A1 3/2021 Tanaka et al.

FOREIGN PATENT DOCUMENTS

JP H11508781 A 8/1999
 JP 2004523288 A 8/2004
 JP 2008509735 A 4/2008
 JP 2008522787 A 7/2008
 JP 2012501234 A 1/2012
 JP 2014516268 A 7/2014
 WO 9641582 A1 12/1996
 WO 99/49818 A1 10/1999
 WO 00/35388 A1 6/2000
 WO 0053126 A1 9/2000

WO 01/01895 A1 1/2001
 WO 02/34120 A2 5/2002
 WO 02/38062 A2 5/2002
 WO 02/076335 A2 10/2002
 WO 2006058221 A2 6/2006
 WO 2006130791 A2 12/2006
 WO 2007120903 A2 10/2007
 WO 2008083349 A1 7/2008
 WO 2008127978 A2 10/2008
 WO 2008153732 A1 12/2008
 WO 2009089367 A2 7/2009
 WO 2009148619 A2 12/2009
 WO 2010030994 A2 3/2010
 WO 2010074714 A2 7/2010
 WO 2010107692 A1 9/2010
 WO 2011050140 A1 4/2011
 WO 2013043584 A2 3/2013
 WO 2014188280 A2 11/2014
 WO 2016049784 A1 4/2016

OTHER PUBLICATIONS

Spinal News International, "FDA clears Renovis Surgical 3D-printed titanium standalone cervical cage", first available Apr. 11, 2016. <https://spinalnewsinternational.com/fda-clears-renovis-surgical-3d-printed-titanium-standalone-cervical-cage/> (Year: 2016).*

Research Gate, "DTRAX Posterior Cervical Cage", first available Jul. 2016. (https://www.researchgate.net/figure/DTRAX-Posterior-Cervical-Cage-Note-The-cervical-cages-are-manufactured-from-implant_fig3_305314436) (Year: 2016).*

Providence Medical Technology, "Cavux Cervical Cages", first available Oct. 5, 2016. (<https://web.archive.org/web/20161005063842/https://providencemt.com/cavux-cervical-cages/>) (Year: 2016).*

Providence Medical Technology, "Posterior Cervical Stabilization System (PCSS)", first available Jun. 21, 2020. (<https://web.archive.org/web/20200621181620/https://providencemt.com/pcss/>) (Year: 2020).*

Atul Goel, Facetal distraction as treatment for single- and multilevel cervical spondylotic radiculopathy and myelopathy: a preliminary report, J Neurosurg Spine, Jun. 2011, pp. 689-696.

Press Release, Interventional Spine, Inc., Interventional Spine, Inc. Introduces the PERPOS Fusion Facet Prep Kit, Oct. 14, 2008, 1 Page.

Press Release, minSURG Corp., Orthopedic Development Corporation's TruFUSE Procedure Tops 1,750 Patients in First Year, Sep. 24, 2007, 1 Page.

Press Release, Interventional Spine, Inc., FDA Grants Conditional Approval to Interventional Spine's PercuDyn System IDE Application, Jul. 1, 2008, 1 Page.

Stein, et al., "Percutaneous Facet Joint Fusion: Preliminary Experience," Journal of Vascular and Interventional Radiology, Jan.-Feb. 1993, pp. 69-74, vol. 4, No. 1.

* cited by examiner

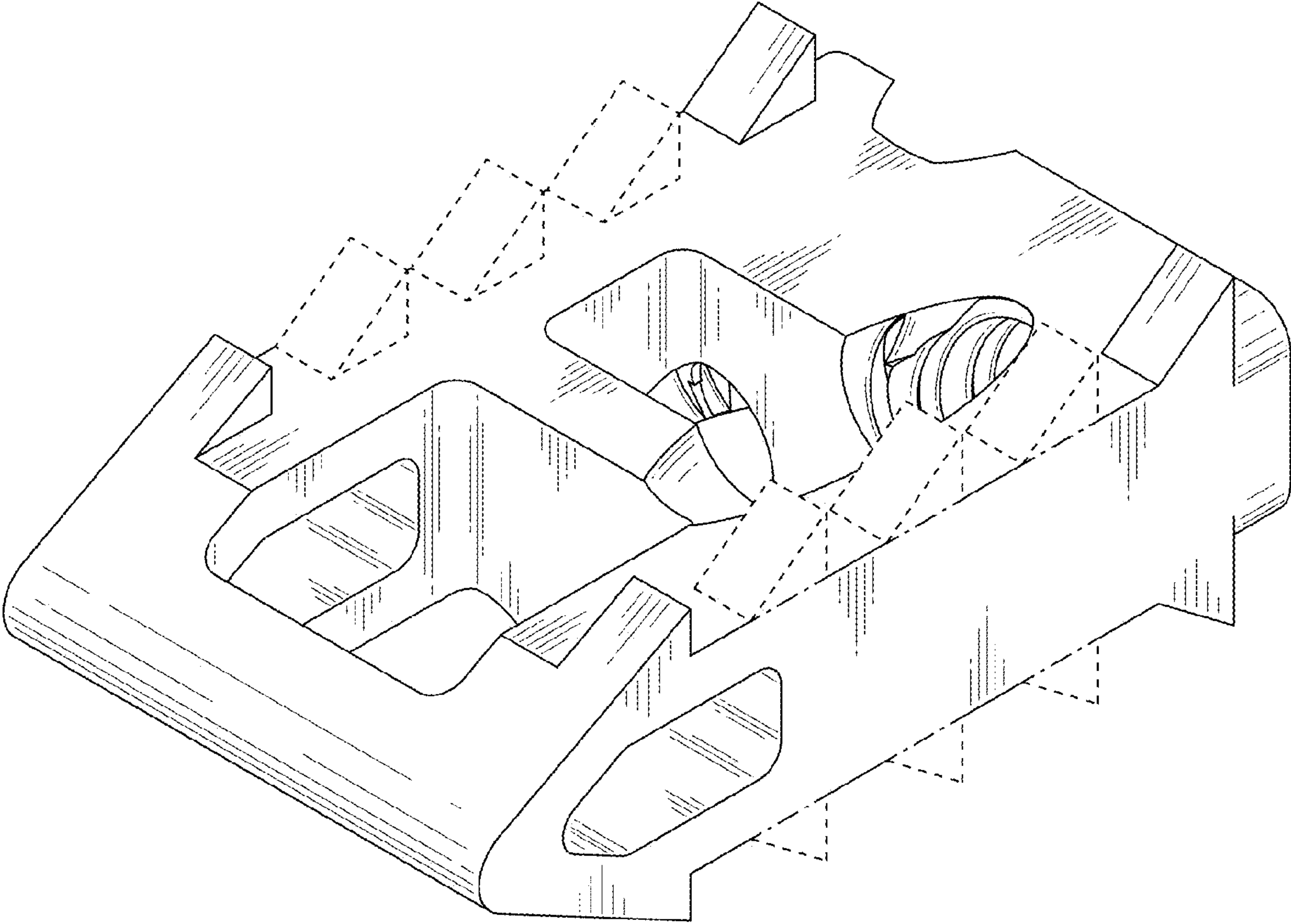


FIG. 1

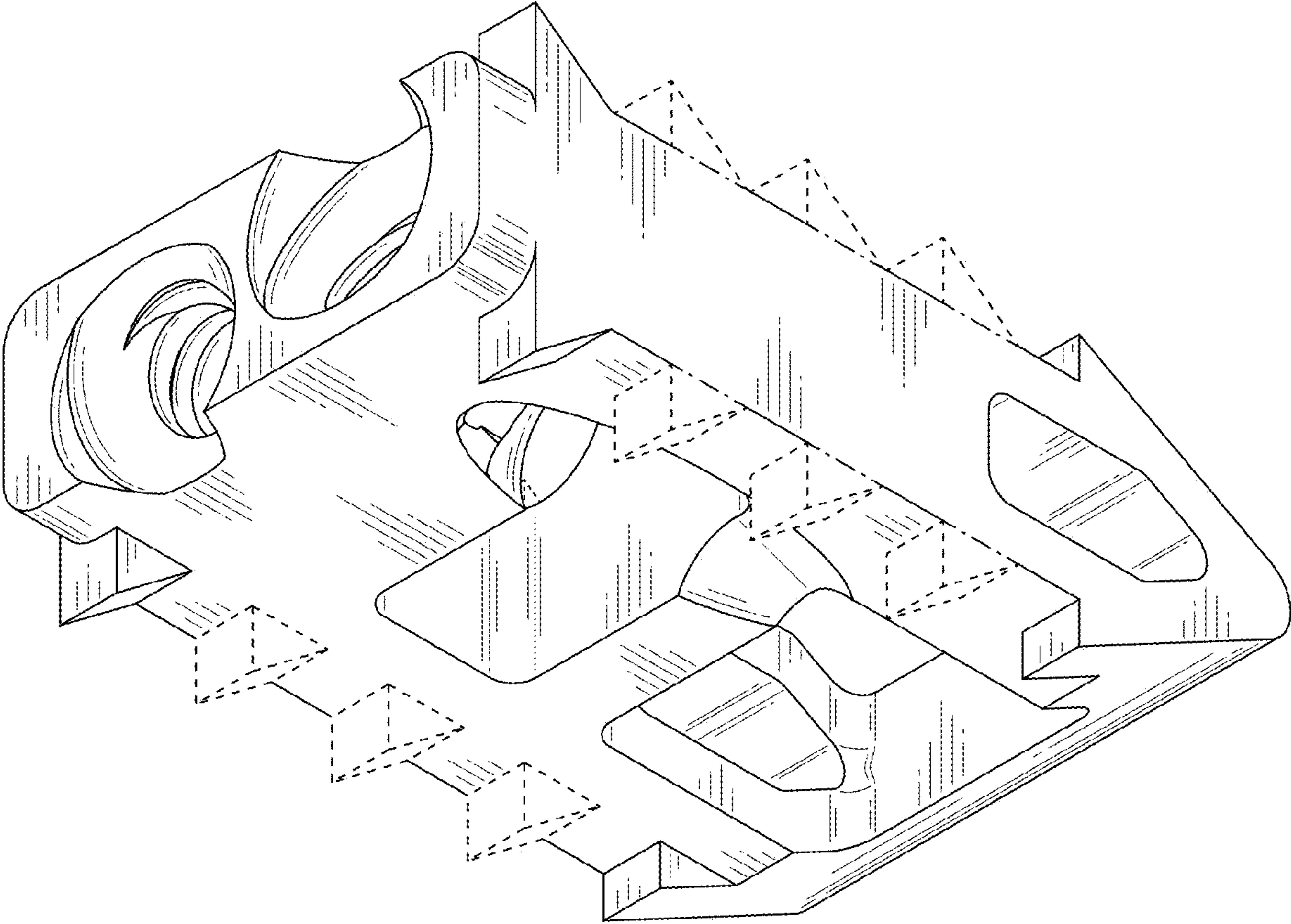


FIG. 2

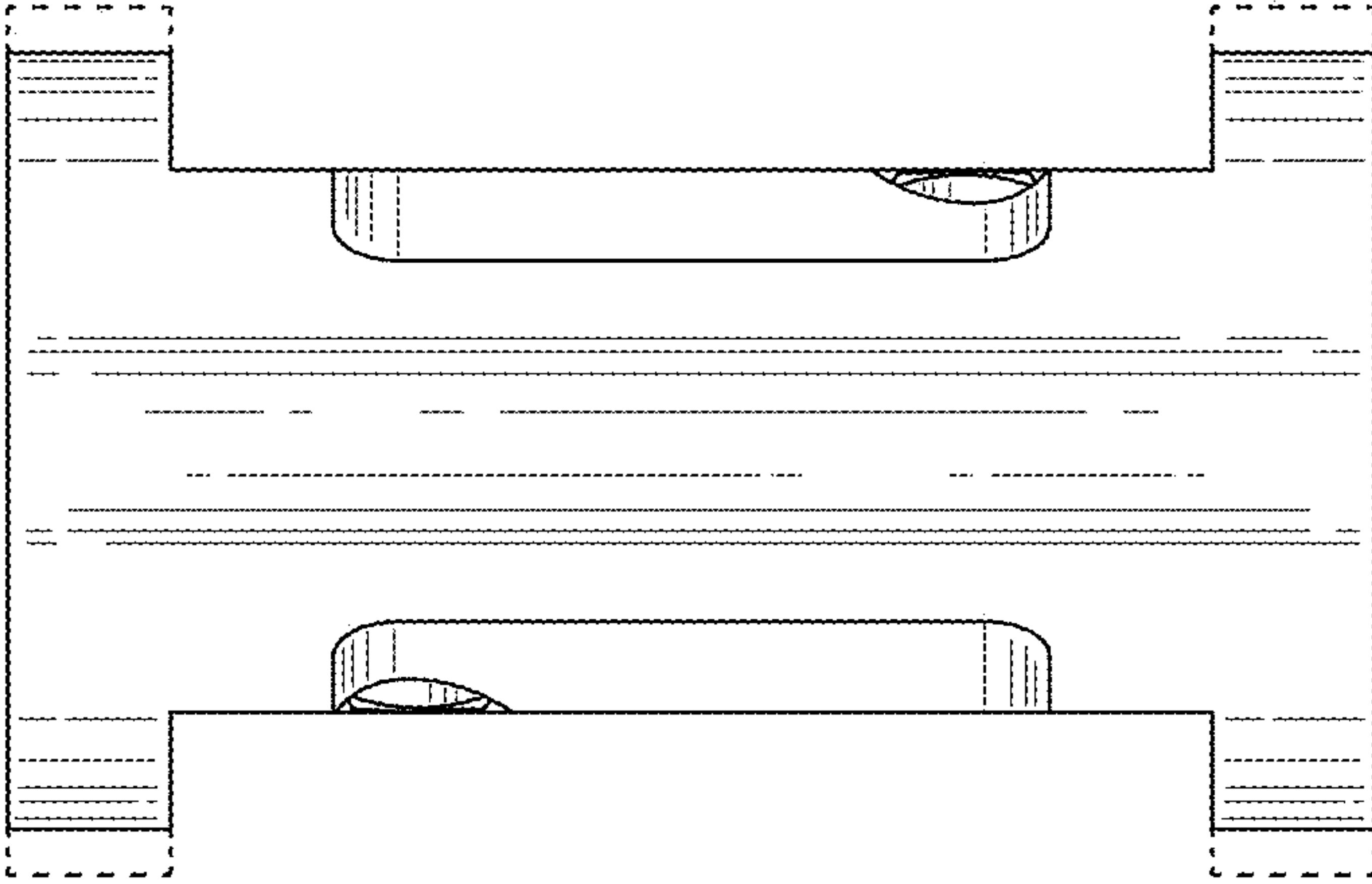


FIG. 3

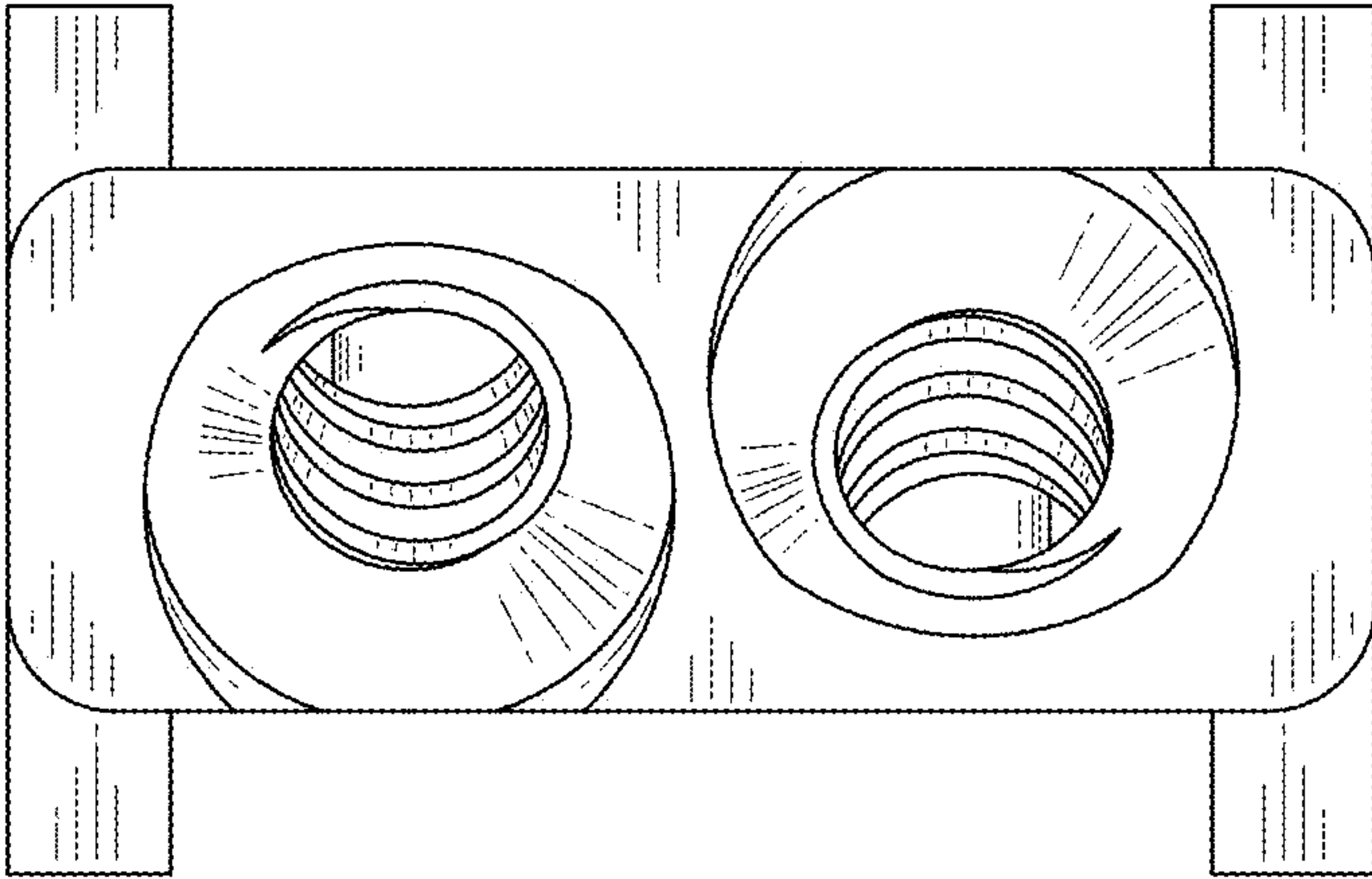


FIG. 4

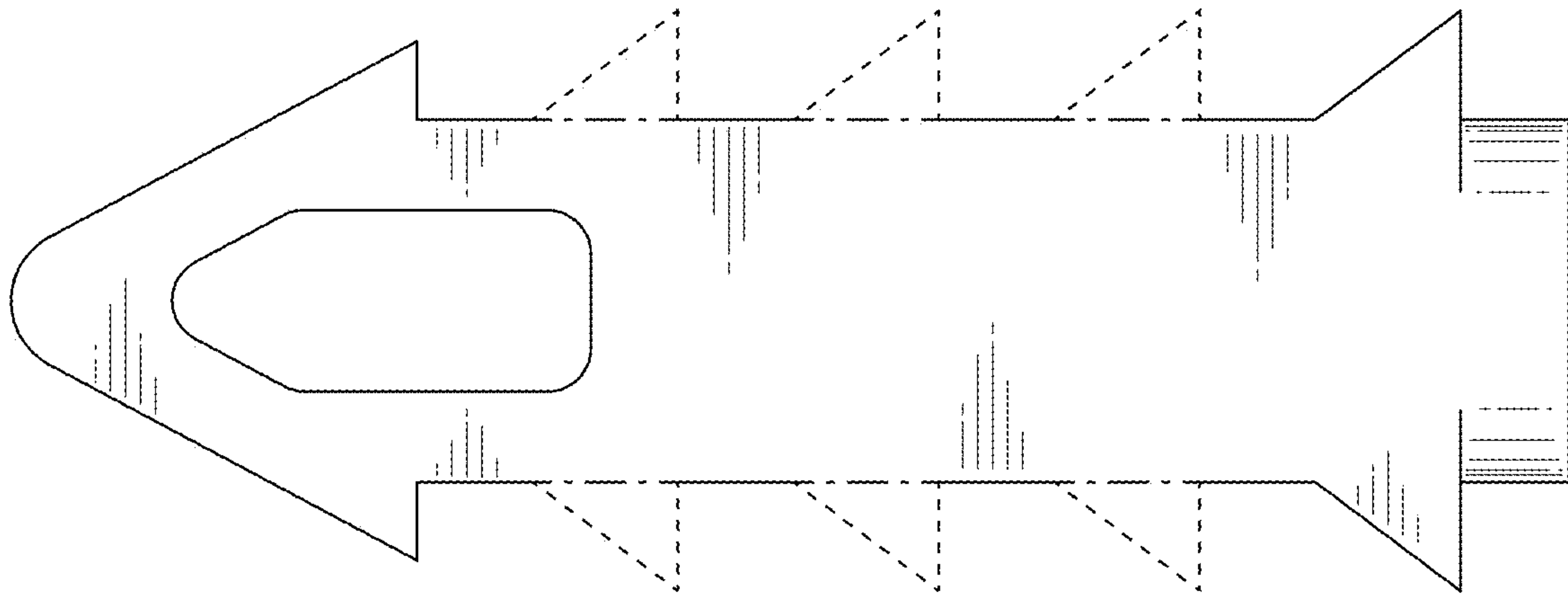


FIG. 5

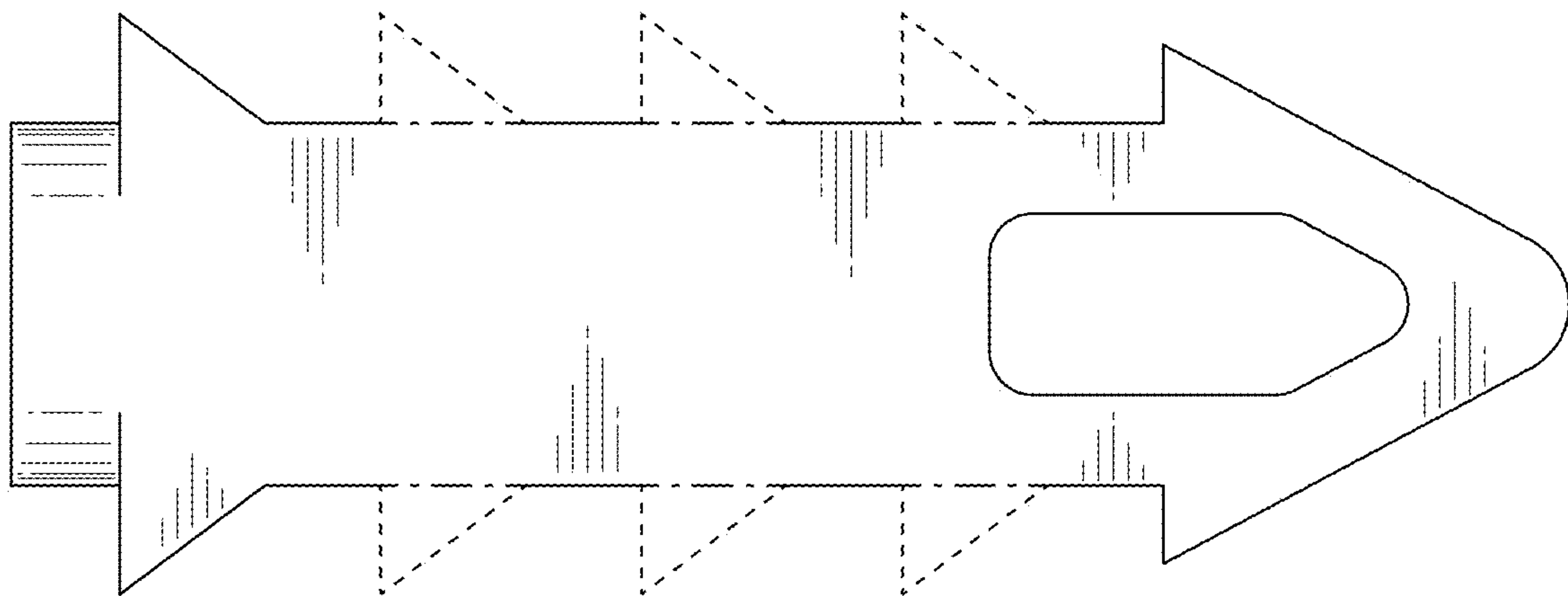


FIG. 6

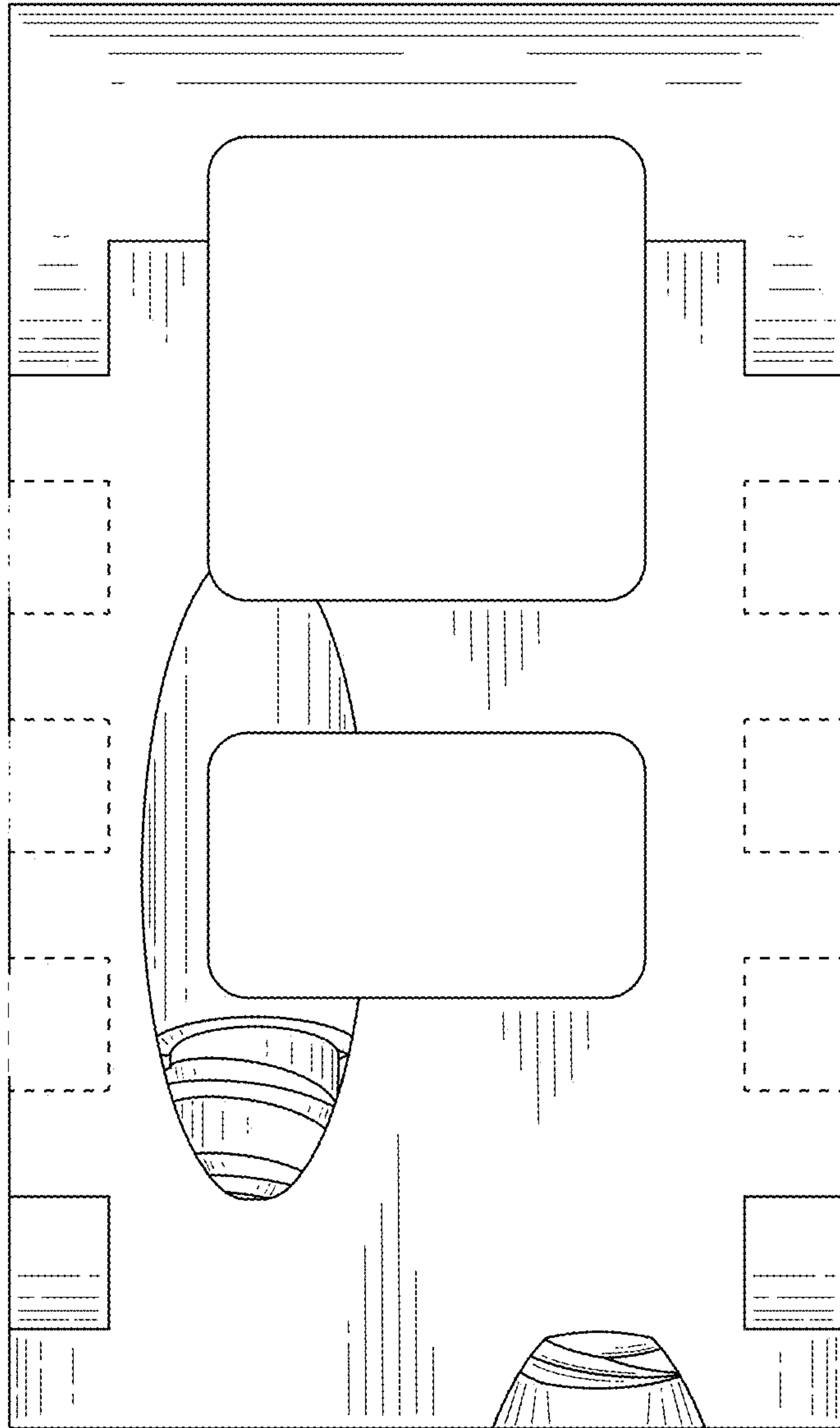


FIG. 7

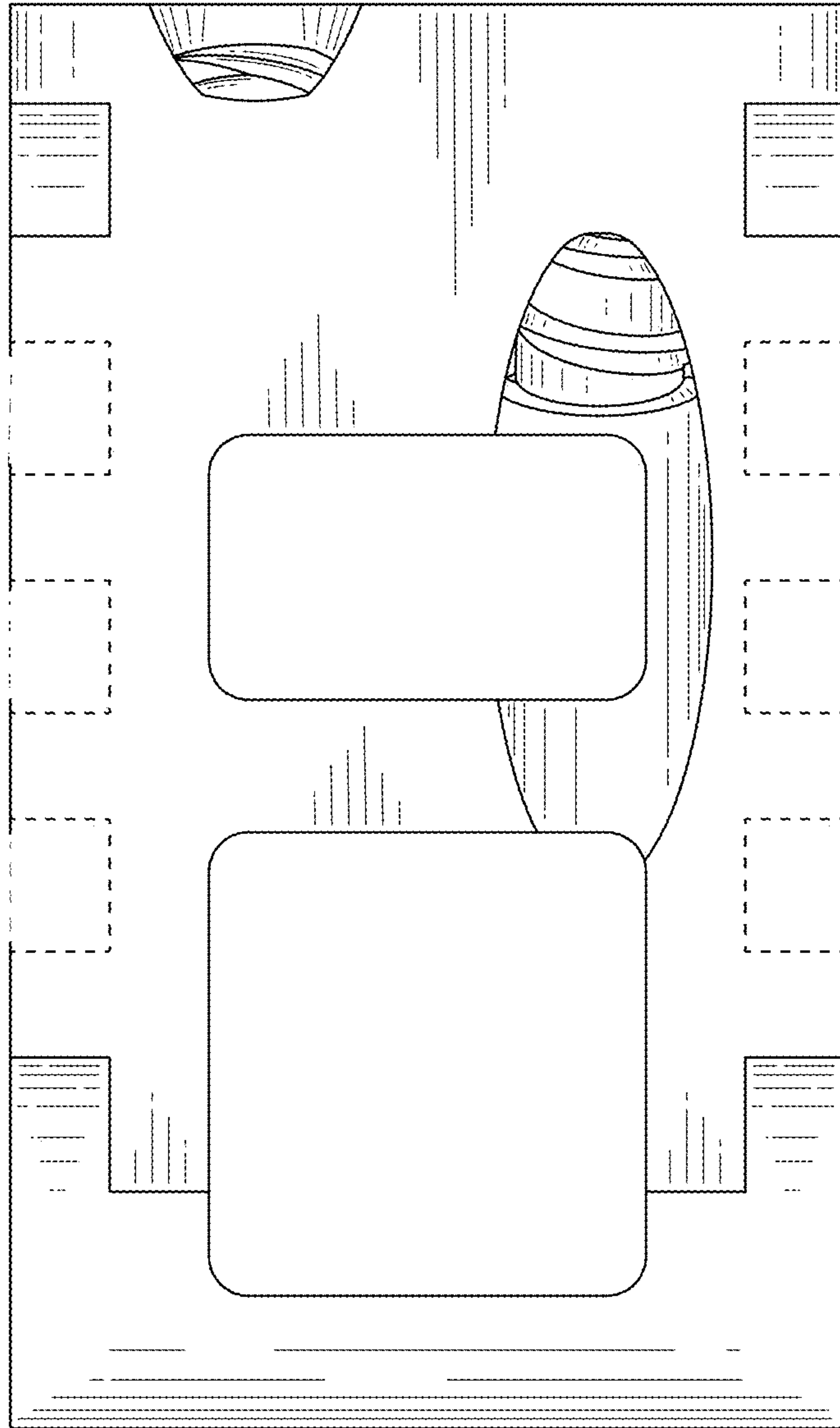


FIG. 8