

US00D945617S

(12) **United States Design Patent** (10) **Patent No.:** **US D945,617 S**
Wright (45) **Date of Patent:** **** Mar. 8, 2022**

(54) **KNIFE BLADE SURGICAL TOOL**

OTHER PUBLICATIONS

(71) Applicant: **Mark B. Wright**, Jackson, ID (US)

Parallel Graft Knife Blade, 11mm. Arthrex.com. Date viewed: Aug. 24, 2021. Retrieved from internet: <https://www.arthrex.com/products/AR-2285-11> (Year: 2021).*

(72) Inventor: **Mark B. Wright**, Jackson, ID (US)

* cited by examiner

(**) Term: **15 Years**

Primary Examiner — Eric L Goodman

(21) Appl. No.: **29/720,161**

Assistant Examiner — Lee D. Starr

(22) Filed: **Jan. 10, 2020**

(74) *Attorney, Agent, or Firm* — Richard D. Clarke

(51) **LOC (13) Cl.** **24-02**

(57) **CLAIM**

(52) **U.S. Cl.**
USPC **D24/146**

I claim the ornamental design for a knife blade surgical tool, as shown and described.

(58) **Field of Classification Search**

DESCRIPTION

USPC D24/146, 147, 133, 127; D8/7, 8, 70, 90, D8/98; D7/693–697, 649, 650
CPC A61B 17/14; A61B 17/142; A61B 17/144; A61B 17/147; A61B 17/32; A61B 17/320056; A61B 17/320064; A61B 17/320068; A61B 17/320082; A61B 17/3209

FIG. 1 is a top perspective view of the knife blade surgical tool;

See application file for complete search history.

FIG. 2 is a top plan view of the knife blade surgical tool shown in FIG. 1;

(56) **References Cited**

U.S. PATENT DOCUMENTS

D308,618 S * 6/1990 Shenouda D7/697
4,969,267 A * 11/1990 Anenberg B26B 3/04
30/304
D726,317 S * 4/2015 DeLaRosa D24/147
D728,100 S * 4/2015 Hasebe D24/147
D852,955 S * 7/2019 Pfeffer D24/146
D923,788 S * 6/2021 Sweitzer D24/146
2018/0263635 A1 * 9/2018 Zhan A61B 17/32
2019/0254696 A1 * 8/2019 Sun A61B 17/1615

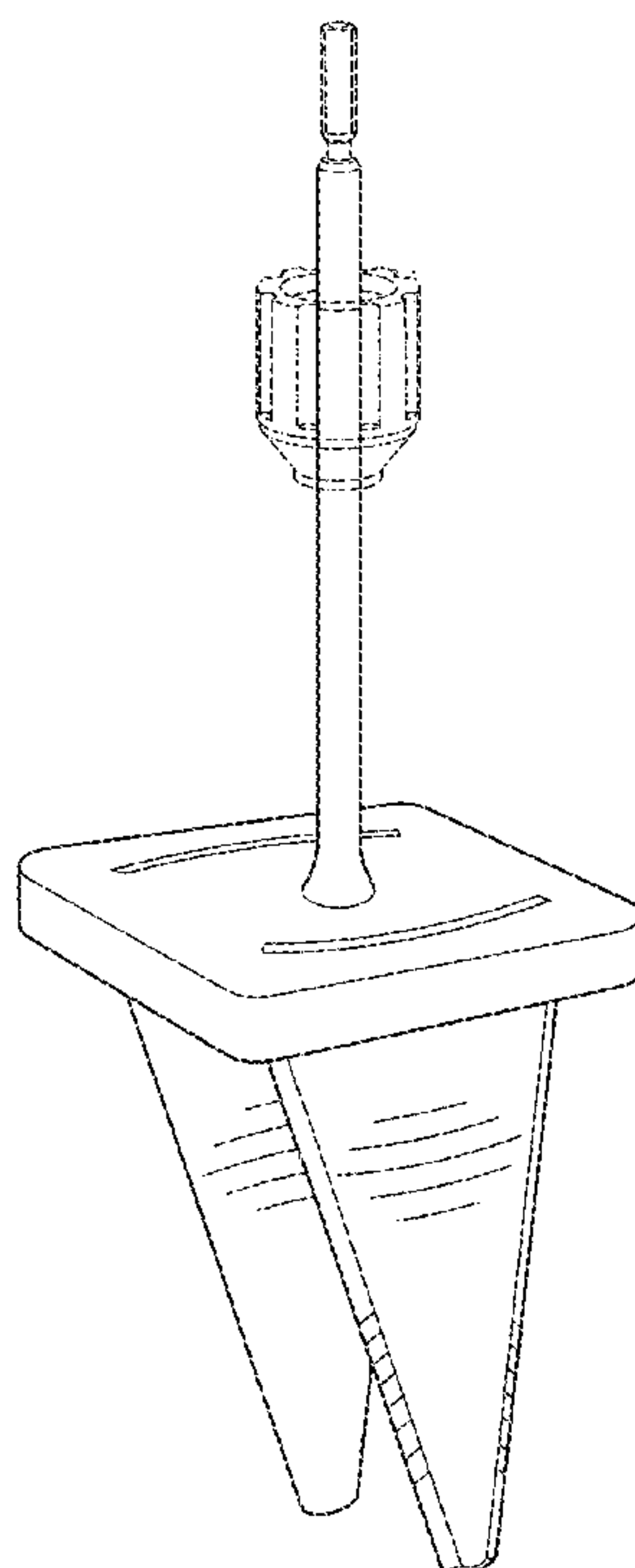
FIG. 3 is a right side elevation view of the knife blade surgical tool shown in FIG. 1, wherein the left side elevation view is a mirror image of this FIG. 3;

FIG. 4 is a front elevation view of the knife blade surgical tool shown in FIG. 1, wherein the rear elevation view is a mirror image of this FIGS. 4; and,

FIG. 5 is a bottom view of the knife blade surgical tool shown in FIG. 1.

The broken line showing of the ribbed circular connecting feature depicts environmental subject matter and forms no part of the claim. All other broken lines in the drawings depict portions of the knife blade surgical tool that form no part of the claimed design.

1 Claim, 2 Drawing Sheets



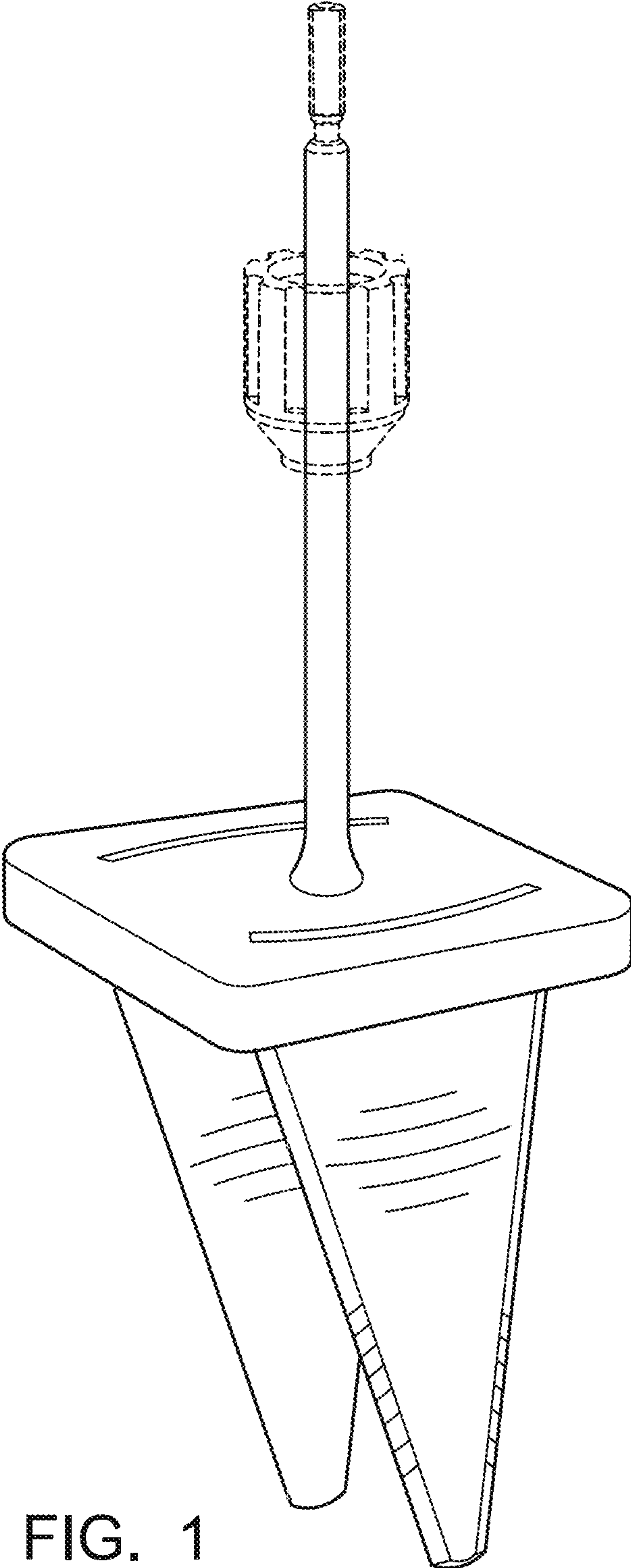


FIG. 1

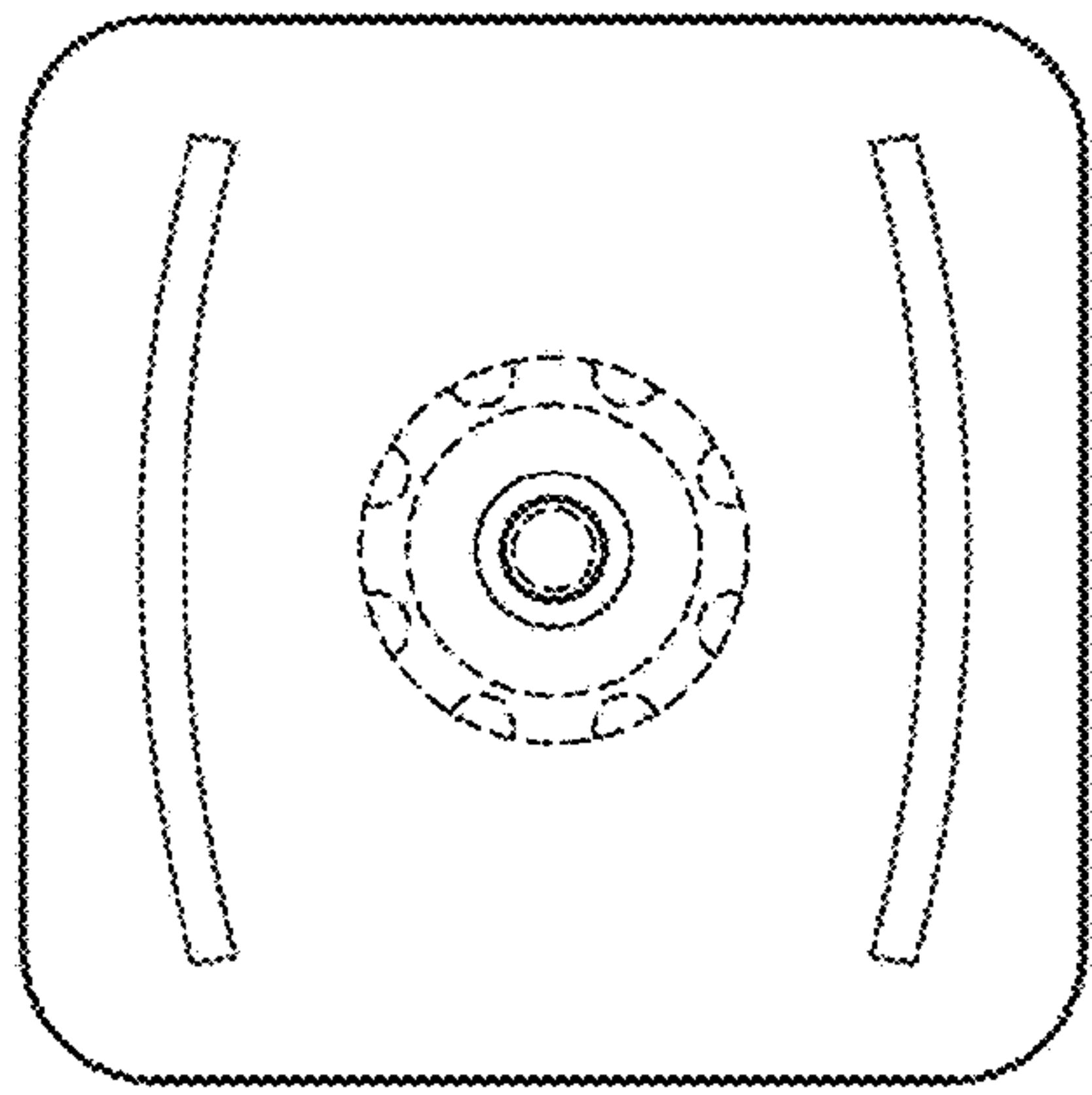


FIG. 2

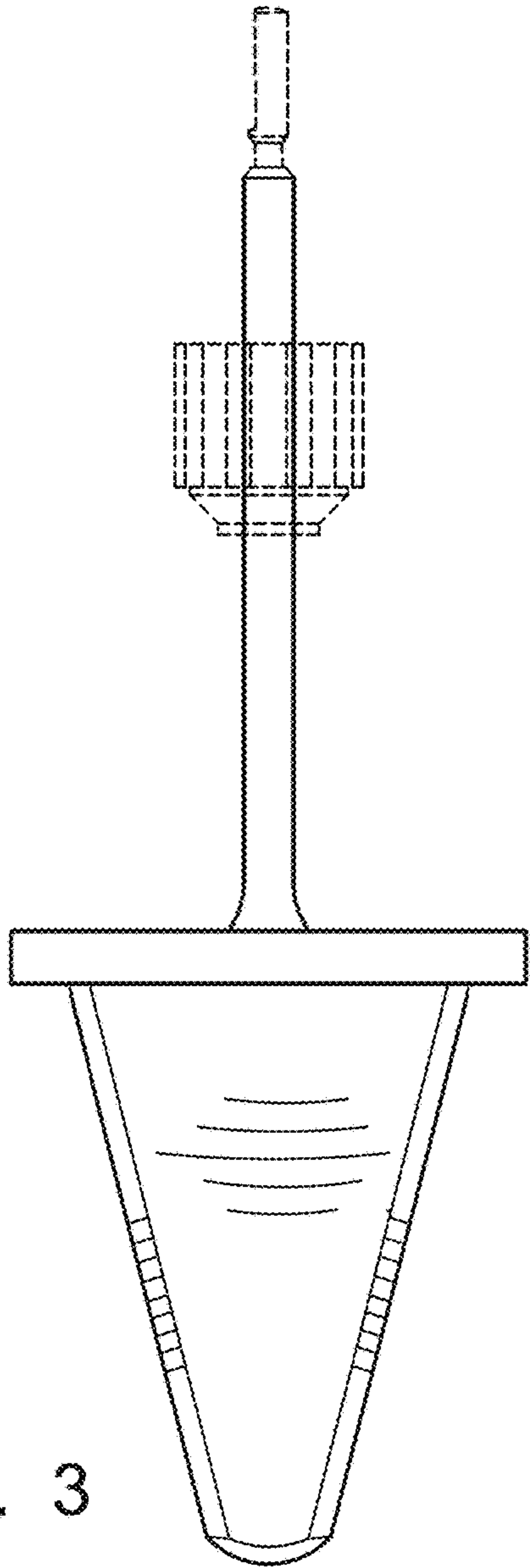


FIG. 3

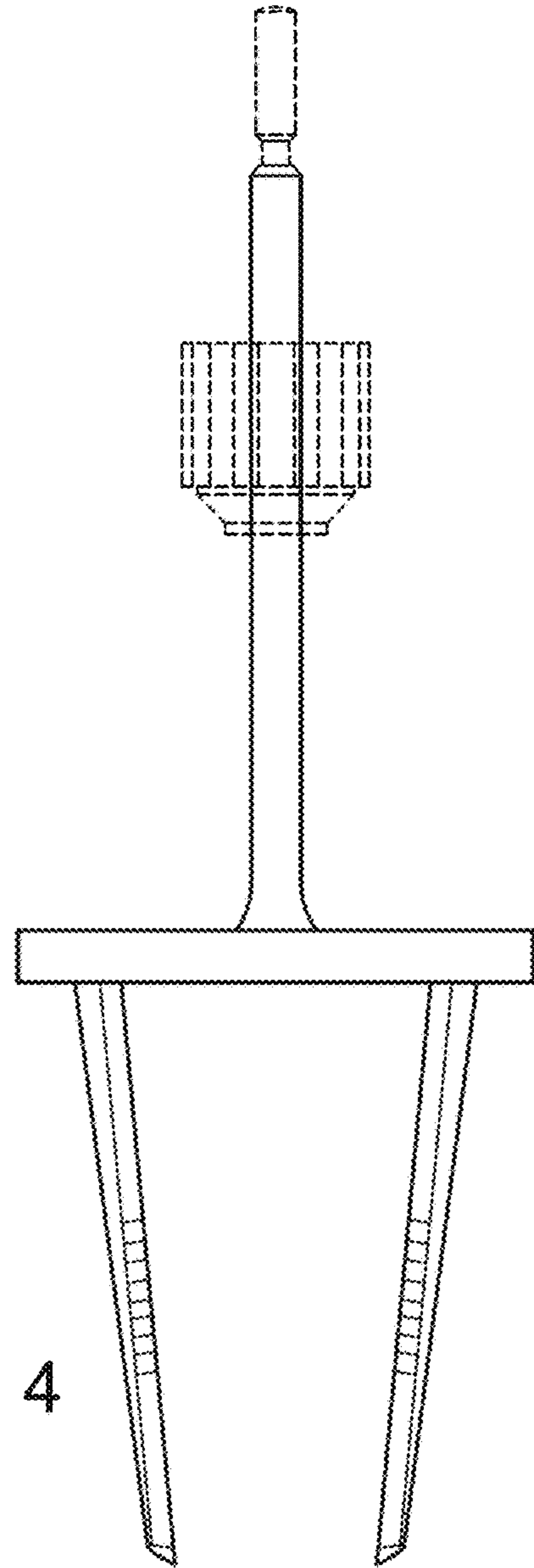


FIG. 4

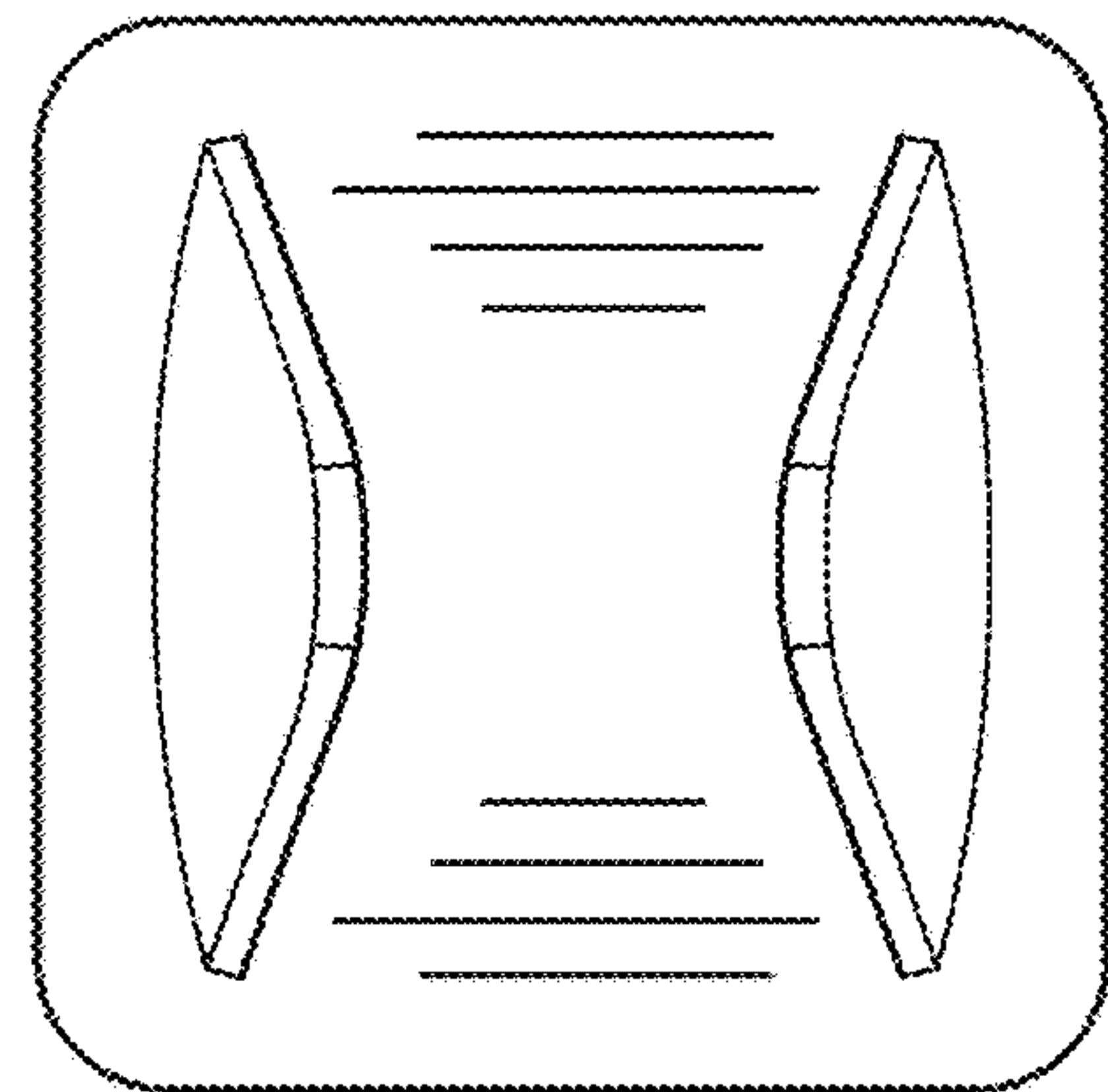


FIG. 5