



US00D945615S

(12) **United States Design Patent**  
**Shin et al.**

(10) **Patent No.:** **US D945,615 S**

(45) **Date of Patent:** **\*\* Mar. 8, 2022**

(54) **MEDICAL LASER FOR DISC  
DECOMPRESSION SURGERY**

(56) **References Cited**

U.S. PATENT DOCUMENTS

(71) Applicant: **REV-MED, INC.**, Seongnam-si (KR)

D238,905 S	*	2/1976	Sokol .....	D24/186
D351,655 S	*	10/1994	Smith .....	D24/143
D411,622 S	*	6/1999	Hall .....	D24/170
D481,123 S	*	10/2003	Hayamizu .....	D24/107
D534,654 S	*	1/2007	Hayamizu .....	D24/107
D564,094 S	*	3/2008	Hayashi .....	D24/107
D598,098 S	*	8/2009	Tanaka .....	D24/107
D631,160 S	*	1/2011	Schurg .....	D24/144
D873,999 S	*	1/2020	Di Sessa .....	D24/144
D904,622 S	*	12/2020	Kuester .....	D24/186
D905,249 S	*	12/2020	He .....	D24/185
D908,892 S	*	1/2021	Duignan .....	D24/186
D912,639 S	*	3/2021	Chang .....	D14/129
D926,995 S	*	8/2021	He .....	D24/185
D928,328 S	*	8/2021	Zehnder .....	D24/185
D928,970 S	*	8/2021	Sato .....	D24/186

(72) Inventors: **Bong Geun Shin**, Suwon-si (KR);  
**Yong Man Cho**, Seoul (KR)

(73) Assignee: **REV-MED, INC.**, Seongnam-si (KR)

(\*\*) Term: **15 Years**

(21) Appl. No.: **35/510,091**

(22) Filed: **Dec. 11, 2019**

(80) **Hague Agreement Data**

Int. Filing Date: **Dec. 11, 2019**  
Int. Reg. No.: **DM/209737**  
Int. Reg. Date: **Dec. 11, 2019**  
Int. Reg. Pub. Date: **Aug. 21, 2020**

\* cited by examiner

*Primary Examiner* — Michael A. Pratt

(74) *Attorney, Agent, or Firm* — United One Law Group  
LLC; Kongsik Kim; Jongwoo Peck

(30) **Foreign Application Priority Data**

Dec. 10, 2019 (KR) ..... 30-2019-0059756

(51) **LOC (13) Cl.** ..... **24-02**

(52) **U.S. Cl.**  
USPC ..... **D24/144**

(58) **Field of Classification Search**  
USPC ..... D24/144, 146, 133, 107, 112, 130,  
D24/185–186, 152, 176; D14/341, 485,  
D14/487–488; D18/26; D16/134  
CPC ..... A61B 18/20; A61B 18/201; A61B 18/22;  
A61B 2018/202; A61B 2017/00199;  
A61B 5/00

See application file for complete search history.

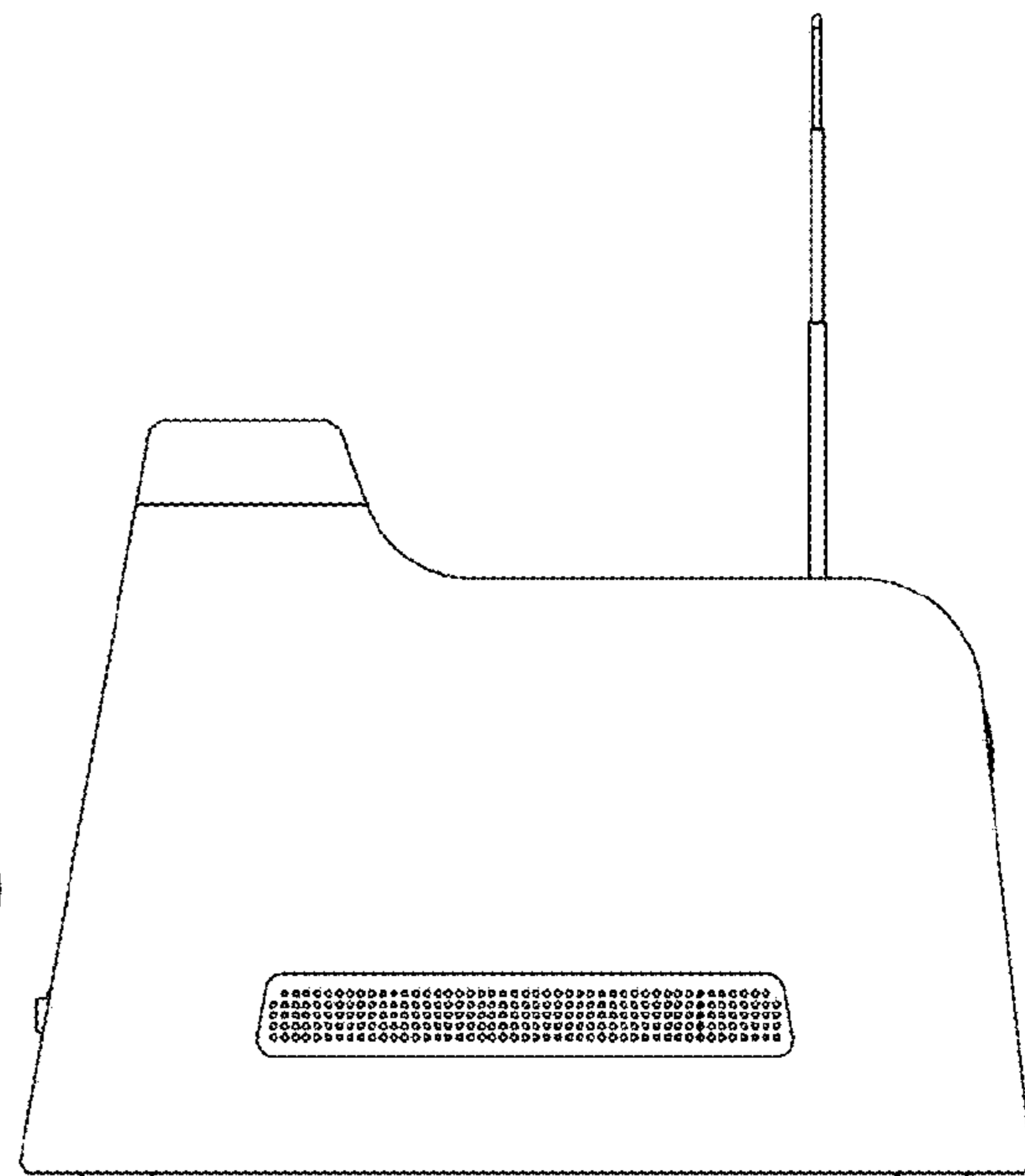
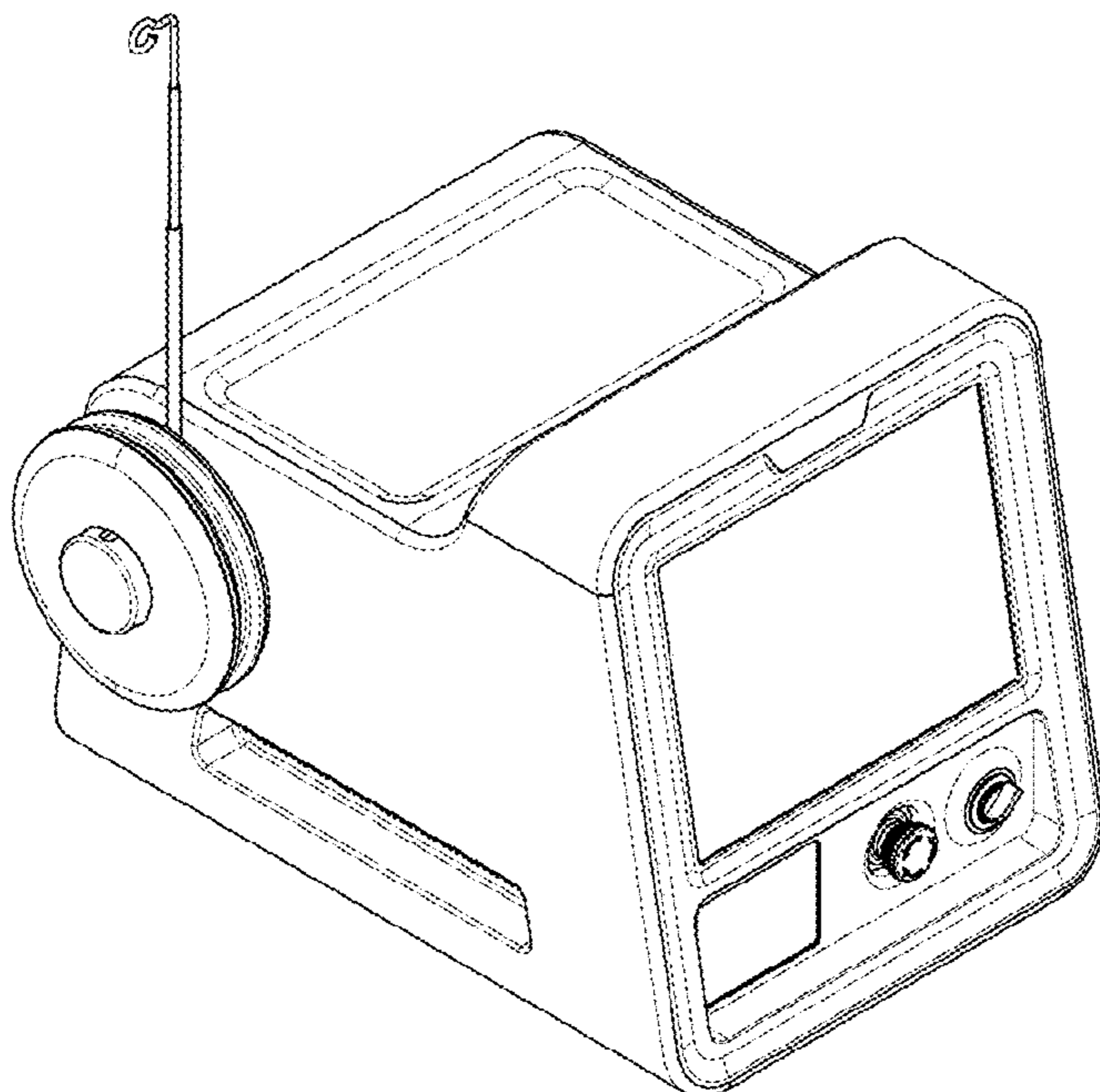
(57) **CLAIM**

The ornamental design for a medical laser for disc decompression surgery, as shown and described.

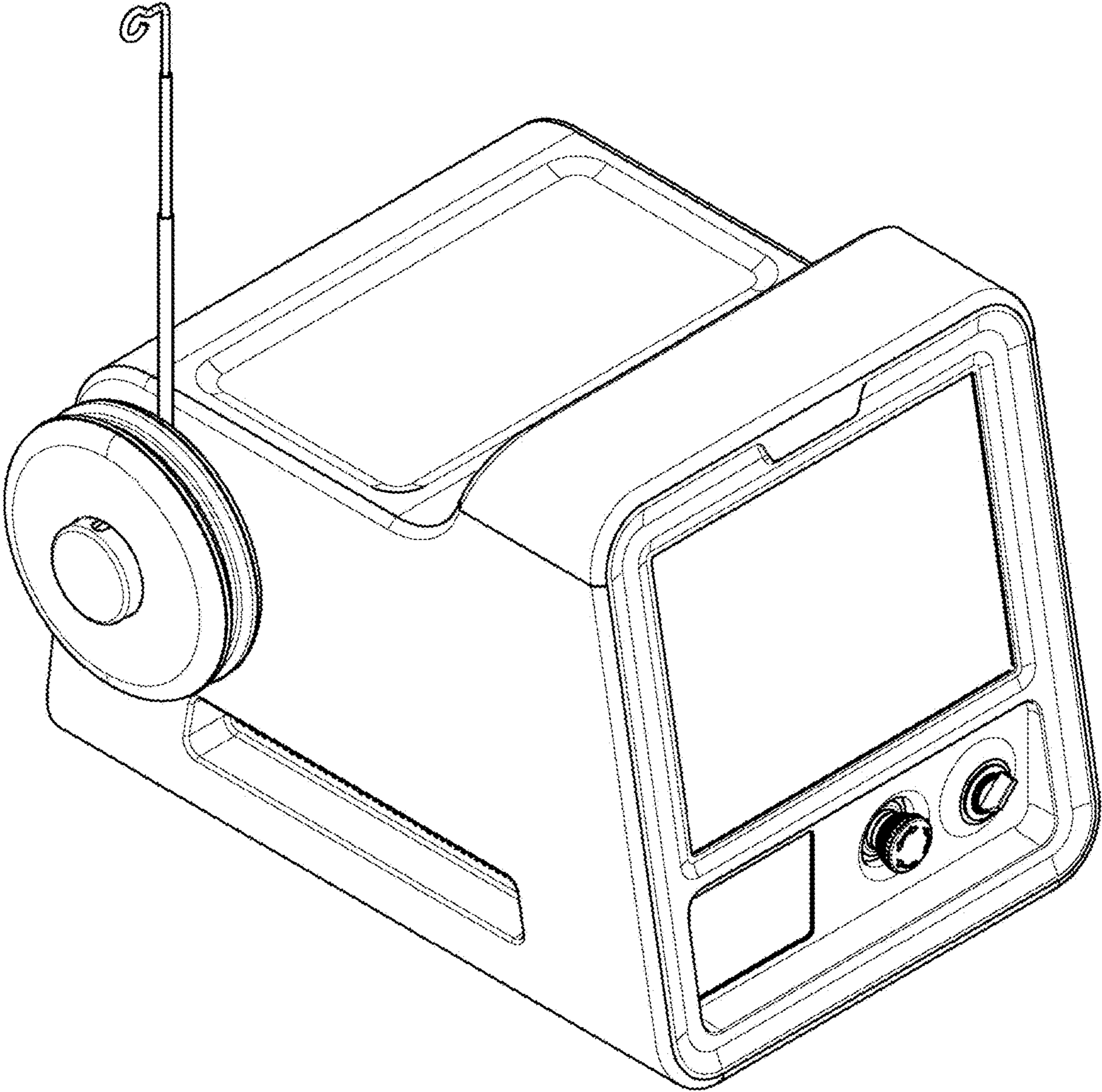
**DESCRIPTION**

1. Medical laser for disc decompression surgery
- 1.1 : Perspective
- 1.2 : Front
- 1.3 : Back
- 1.4 : Left
- 1.5 : Right
- 1.6 : Top
- 1.7 : Bottom

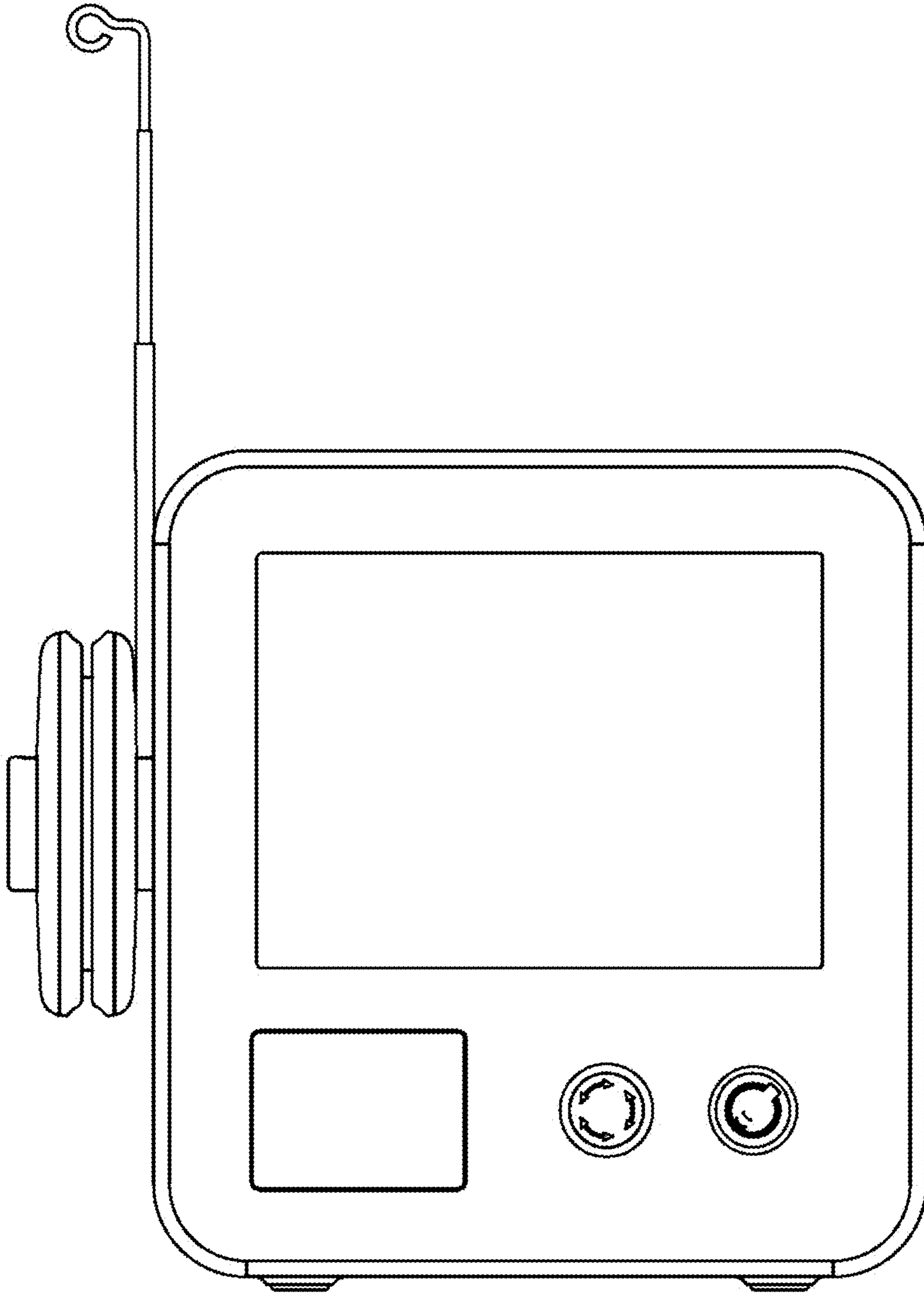
**1 Claim, 7 Drawing Sheets**



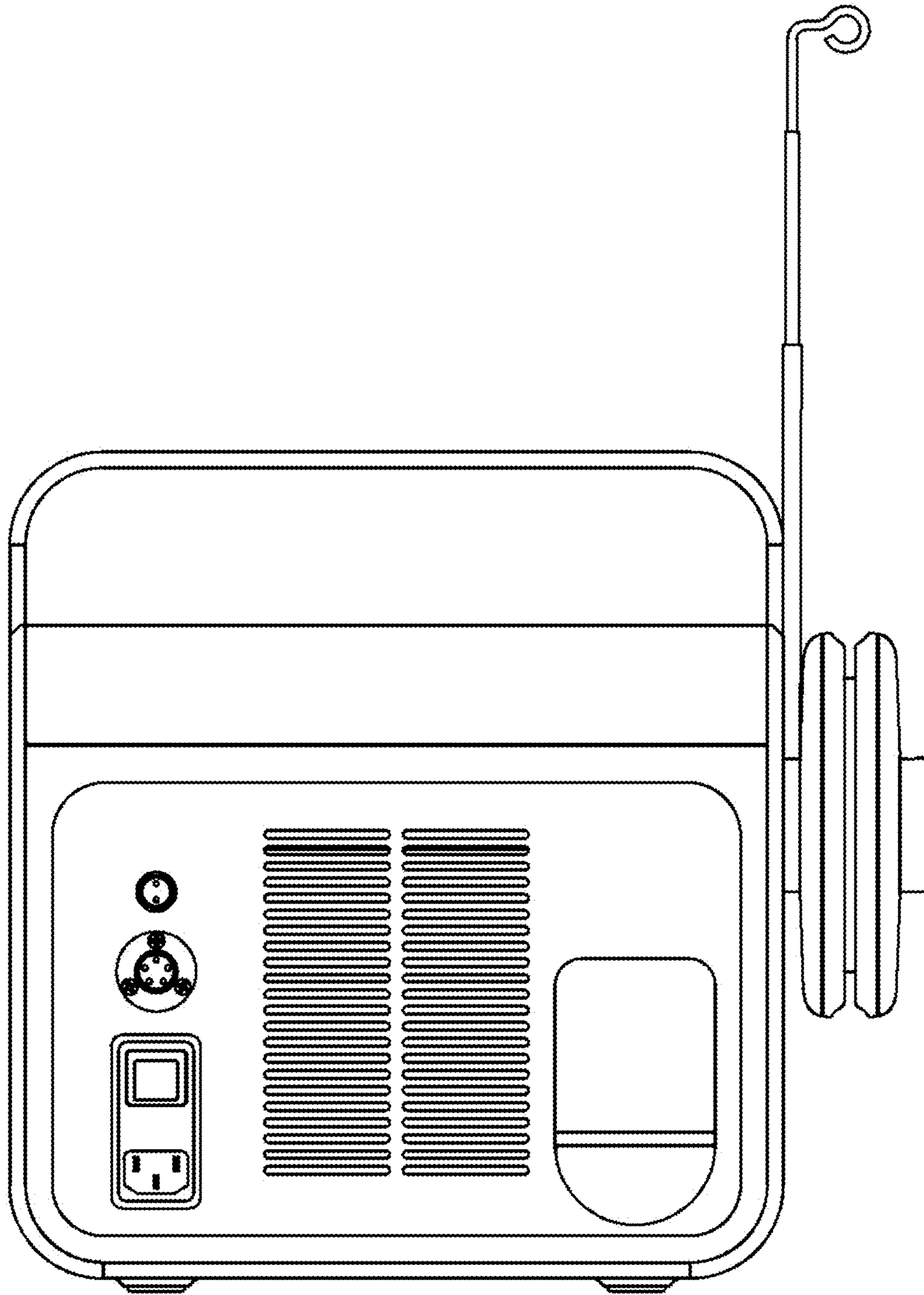
1.1



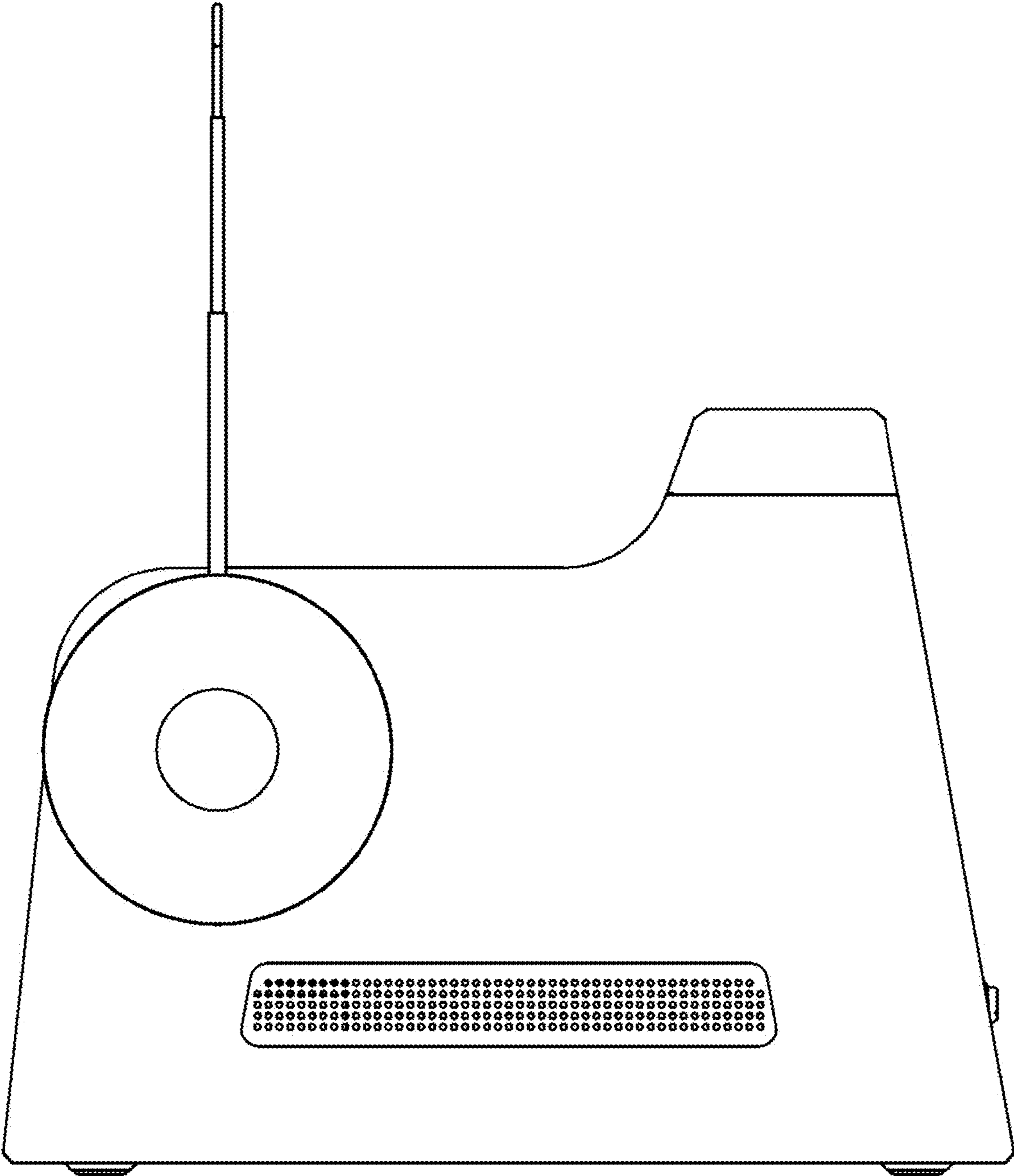
1.2



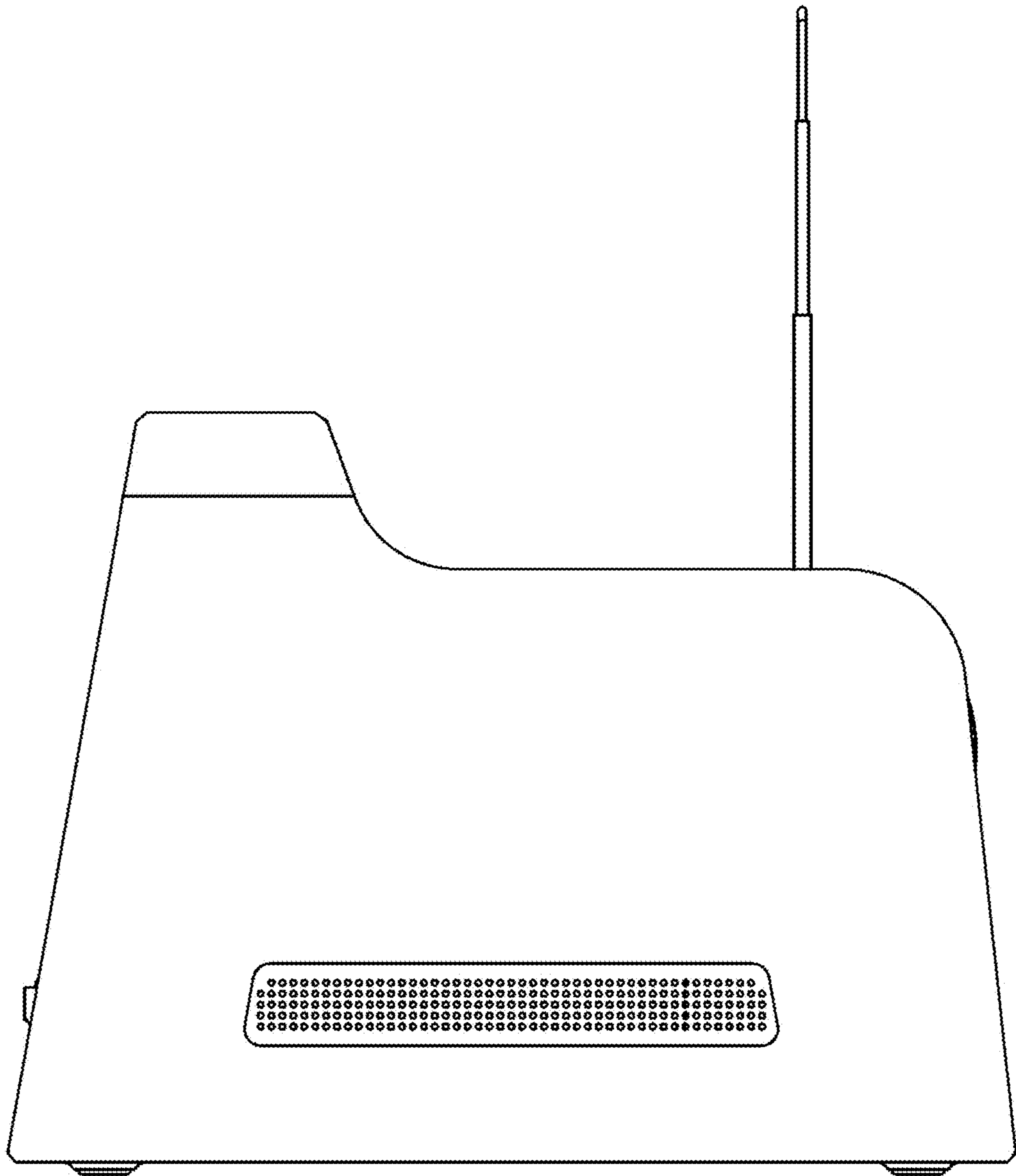
1.3



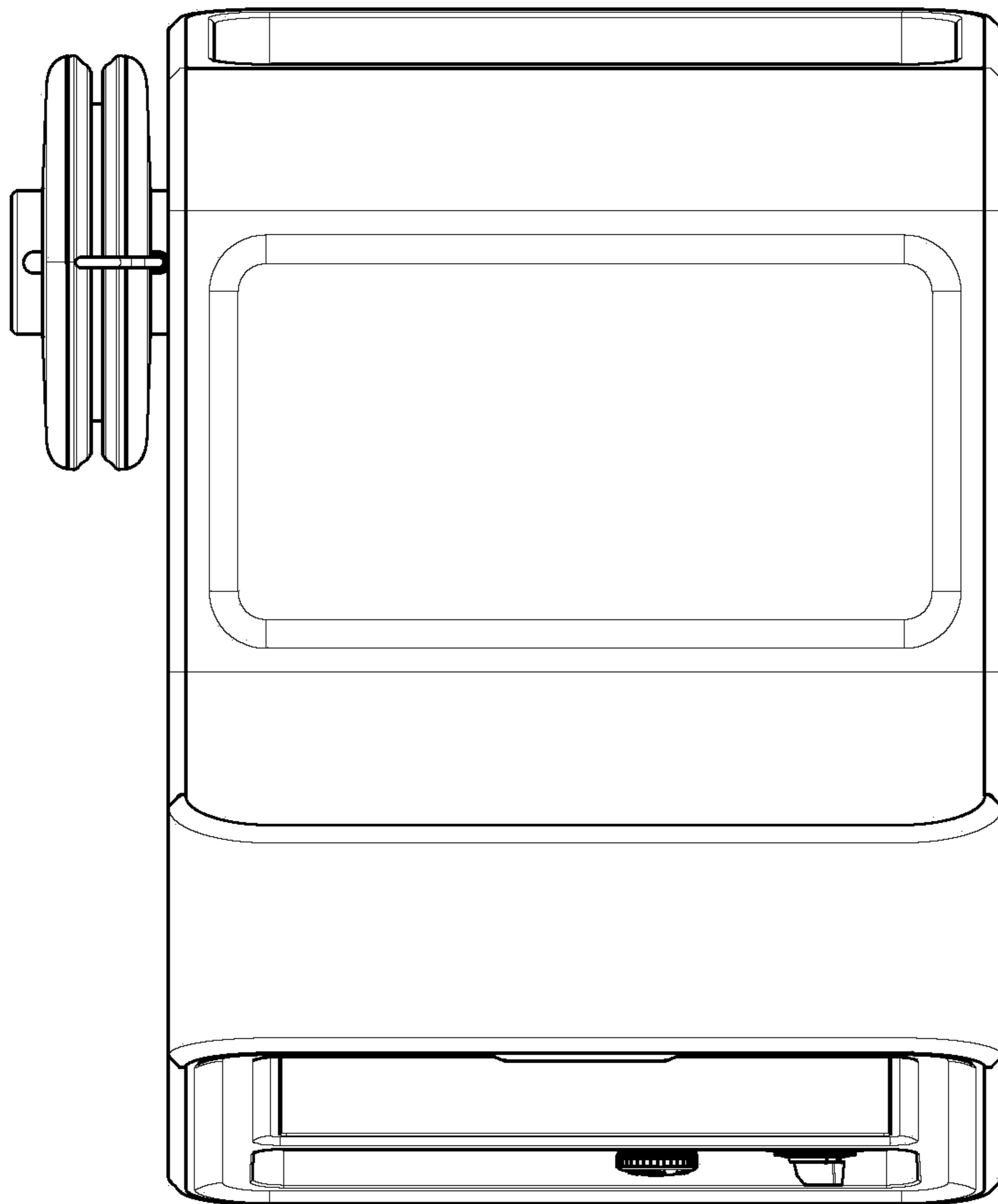
1.4



1.5



1.6



1.7

